



US00D954025S

(12) **United States Design Patent**
Li et al.

(10) **Patent No.:** **US D954,025 S**
(45) **Date of Patent:** **** Jun. 7, 2022**

(54) **HOLDER FOR PORTABLE ELECTRONIC DEVICE**

(71) Applicant: **Getac Technology Corporation**,
Hsinchu County (TW)

(72) Inventors: **Chun-Hsing Li**, Taipei (TW);
Ssu-Yuan Wu, Taipei (TW)

(73) Assignee: **GETAC TECHNOLOGY CORPORATION**, Hsinchu County (TW)

(**) Term: **15 Years**

(21) Appl. No.: **29/704,497**

(22) Filed: **Sep. 5, 2019**

(51) **LOC (13) Cl.** **14-03**

(52) **U.S. Cl.**
USPC **D14/217**

(58) **Field of Classification Search**
USPC D14/217, 432, 433, 434, 341-347, 371, D14/426, 427
CPC F25D 17/065; F25D 2317/061; F25D 2323/023; F25D 23/028; F25D 23/126; F25D 11/02; F25D 2201/126; F25D 2201/1262; F25D 2201/14; F25D 2323/021; F25D 23/02; F25D 23/025; F25D 23/04; F25D 23/062; F25D 23/064; F25D 23/065; F25D 23/067; F25D 2400/361; F25D 25/025; F25D 25/04; F25D 29/005; F25D 29/006; F25D 31/005; F25D 3/06

See application file for complete search history.

(56) **References Cited**

U.S. PATENT DOCUMENTS

D790,528 S * 6/2017 Lindloff D14/253
D795,265 S * 8/2017 Li D14/447
D821,849 S * 7/2018 Nikayin D8/354
D823,093 S * 7/2018 Kanter D8/354

D823,286 S * 7/2018 Kanter D14/238
D835,972 S * 12/2018 Patil F01N 13/1855
D846,370 S * 4/2019 Ni D8/354
D852,173 S * 6/2019 Ni D14/239
D859,514 S * 9/2019 Lackner D17/20
D908,788 S * 1/2021 Leewe D14/217
D936,728 S * 11/2021 Leewe D14/217
D944,625 S * 3/2022 Wu D8/349

* cited by examiner

Primary Examiner — Khawaja Anwar

(74) *Attorney, Agent, or Firm* — Locke Lord LLP; Tim Tingkang Xia, Esq.

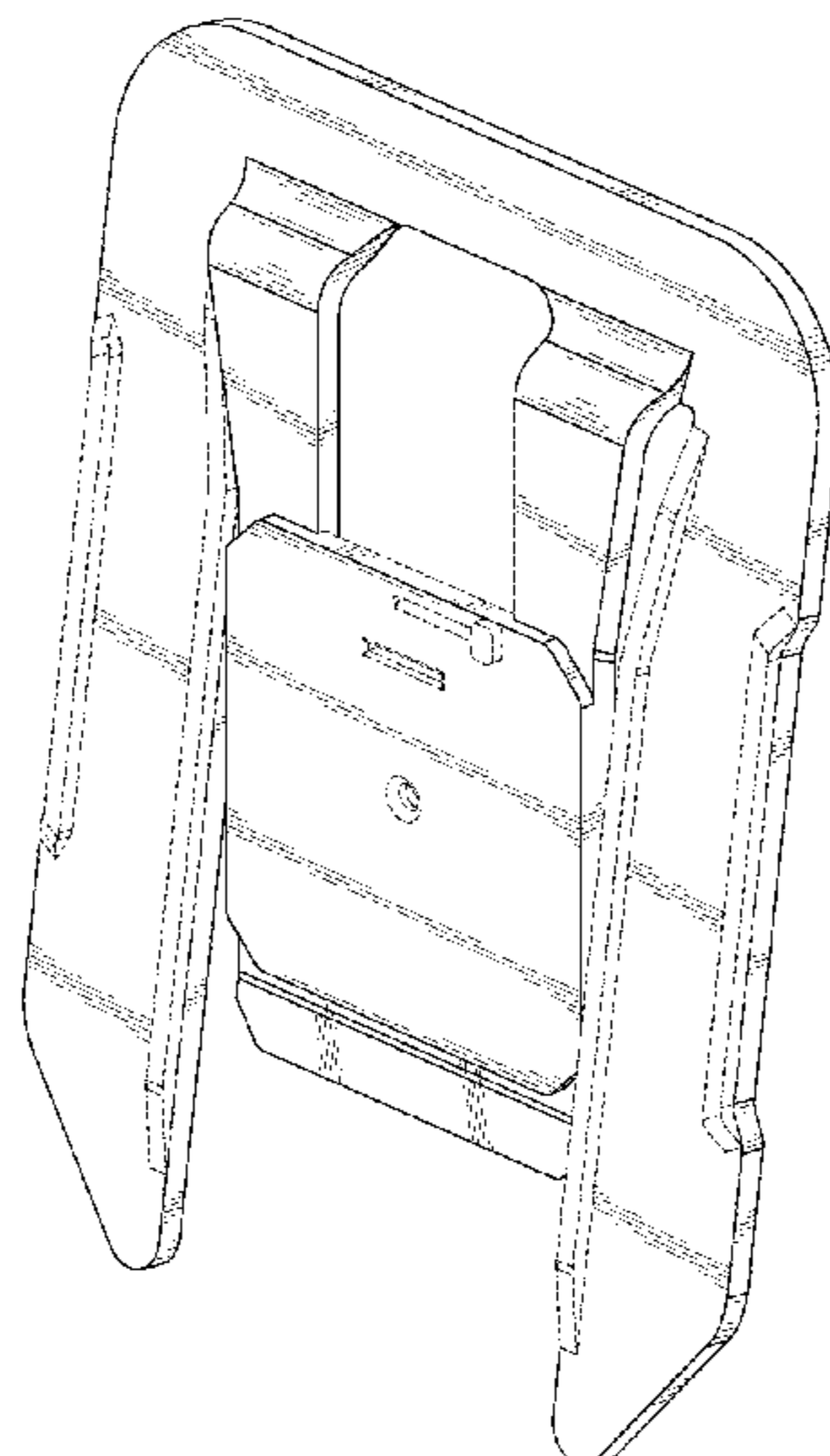
(57) **CLAIM**

The ornamental design for a holder for a portable electronic device, as shown and described.

DESCRIPTION

FIG. 1 is a top, front and right side perspective view of a holder for a portable electronic device showing our new design;
FIG. 2 is a bottom, front and left side perspective view thereof;
FIG. 3 is a bottom, rear and right side perspective view thereof;
FIG. 4 is a top, rear and left side perspective view thereof;
FIG. 5 is a front view thereof;
FIG. 6 is a rear view thereof;
FIG. 7 is a left side view thereof;
FIG. 8 is a right side view thereof;
FIG. 9 is a top view thereof;
FIG. 10 is a bottom view thereof; and,
FIG. 11 is a reference perspective view of our new design installed on a portable electronic device.
The dash-dash-dash broken lines illustrate environmental structure and form no part of the claimed design.
The dot-dash-dot broken lines represent a boundary that forms no part of the claimed design.

1 Claim, 9 Drawing Sheets



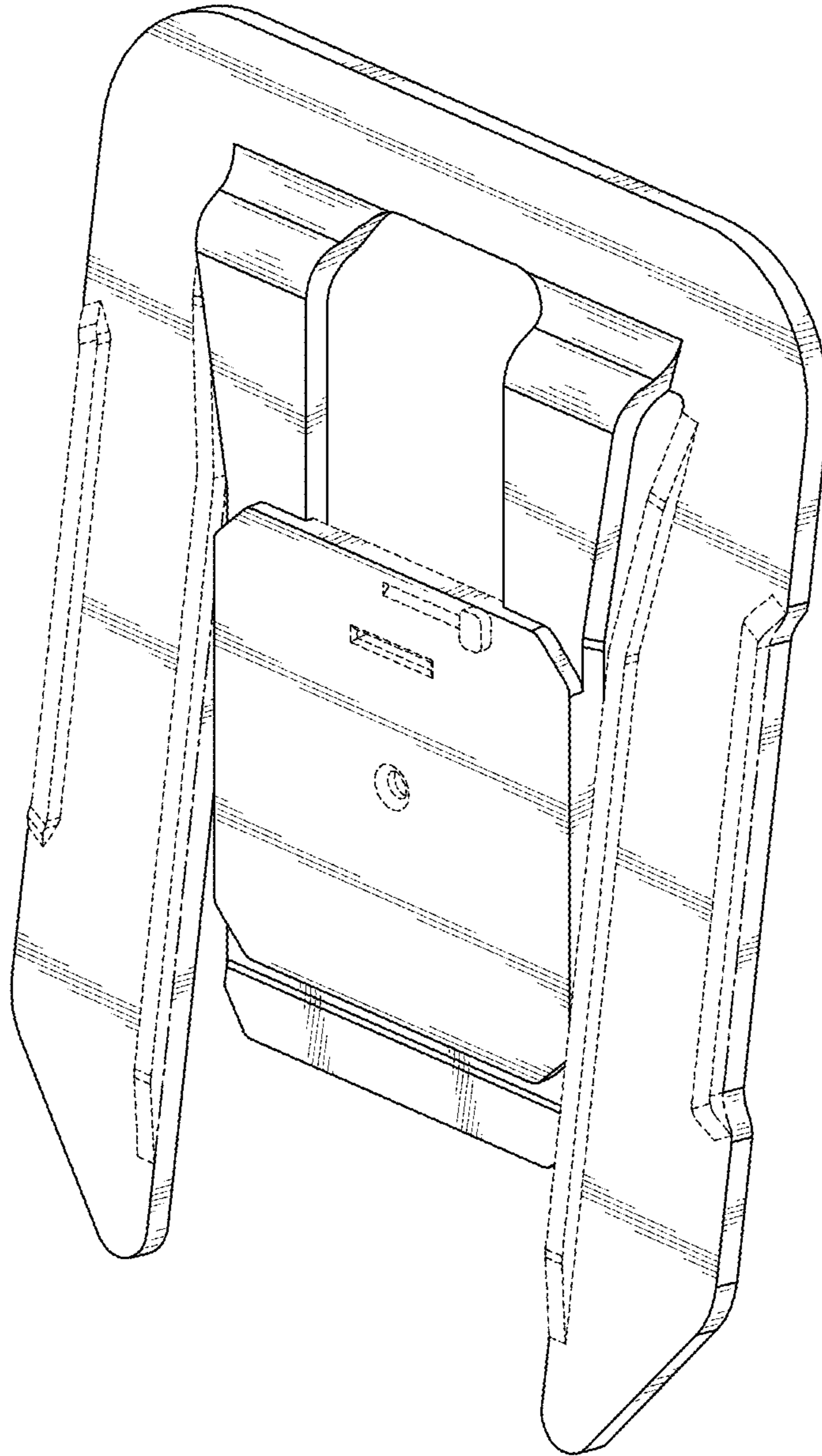


FIG. 1

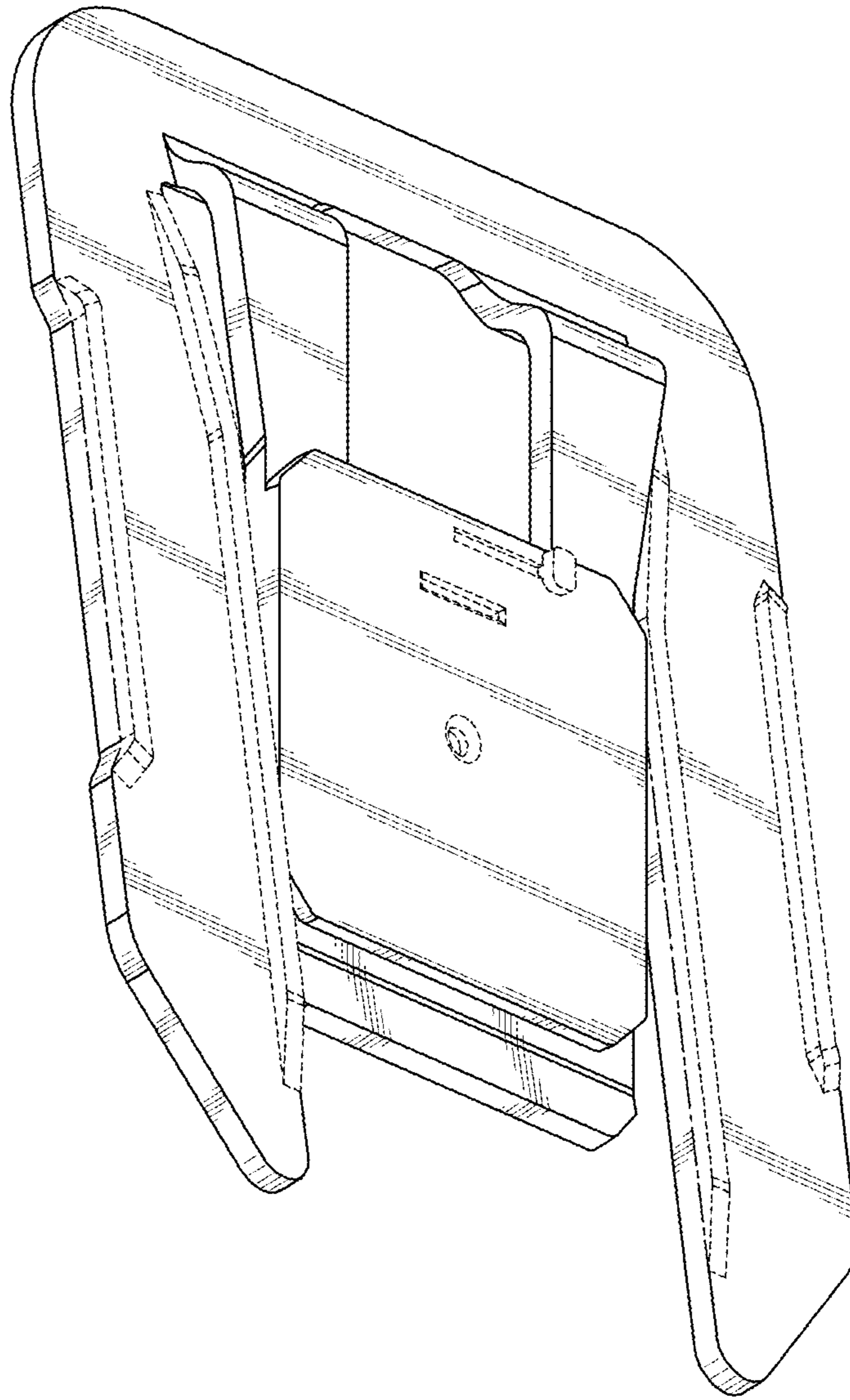


FIG. 2

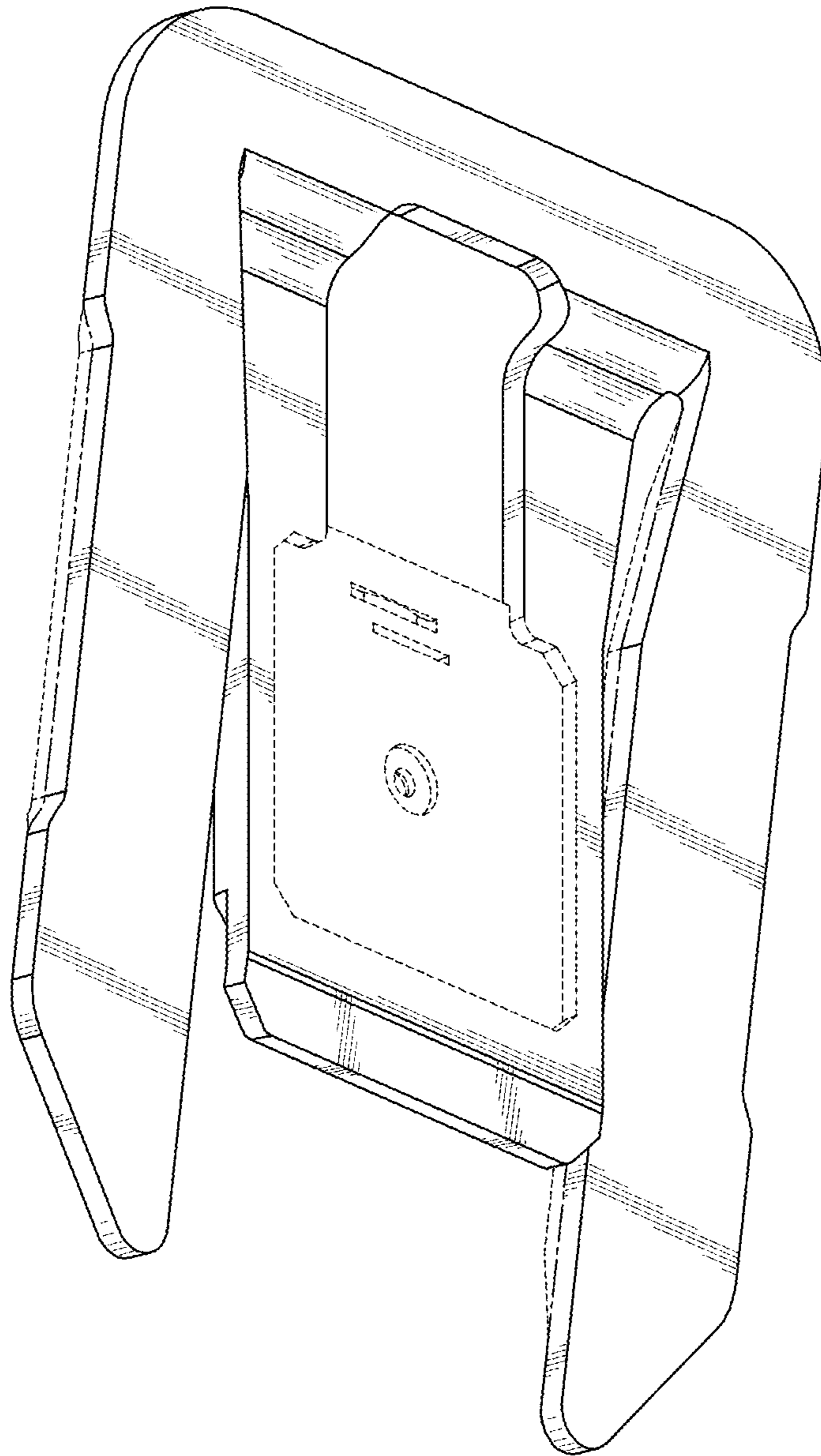


FIG. 3

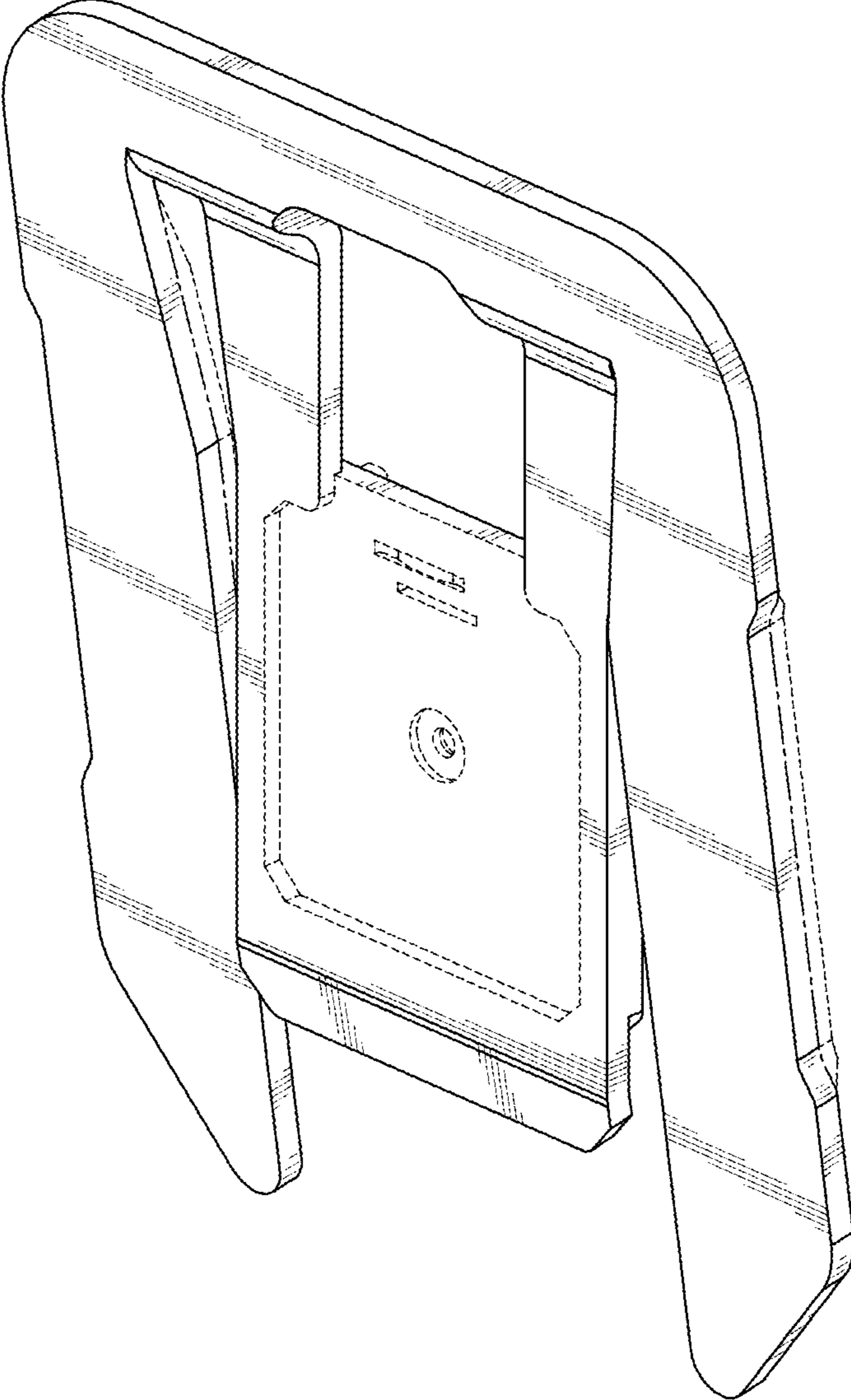


FIG. 4

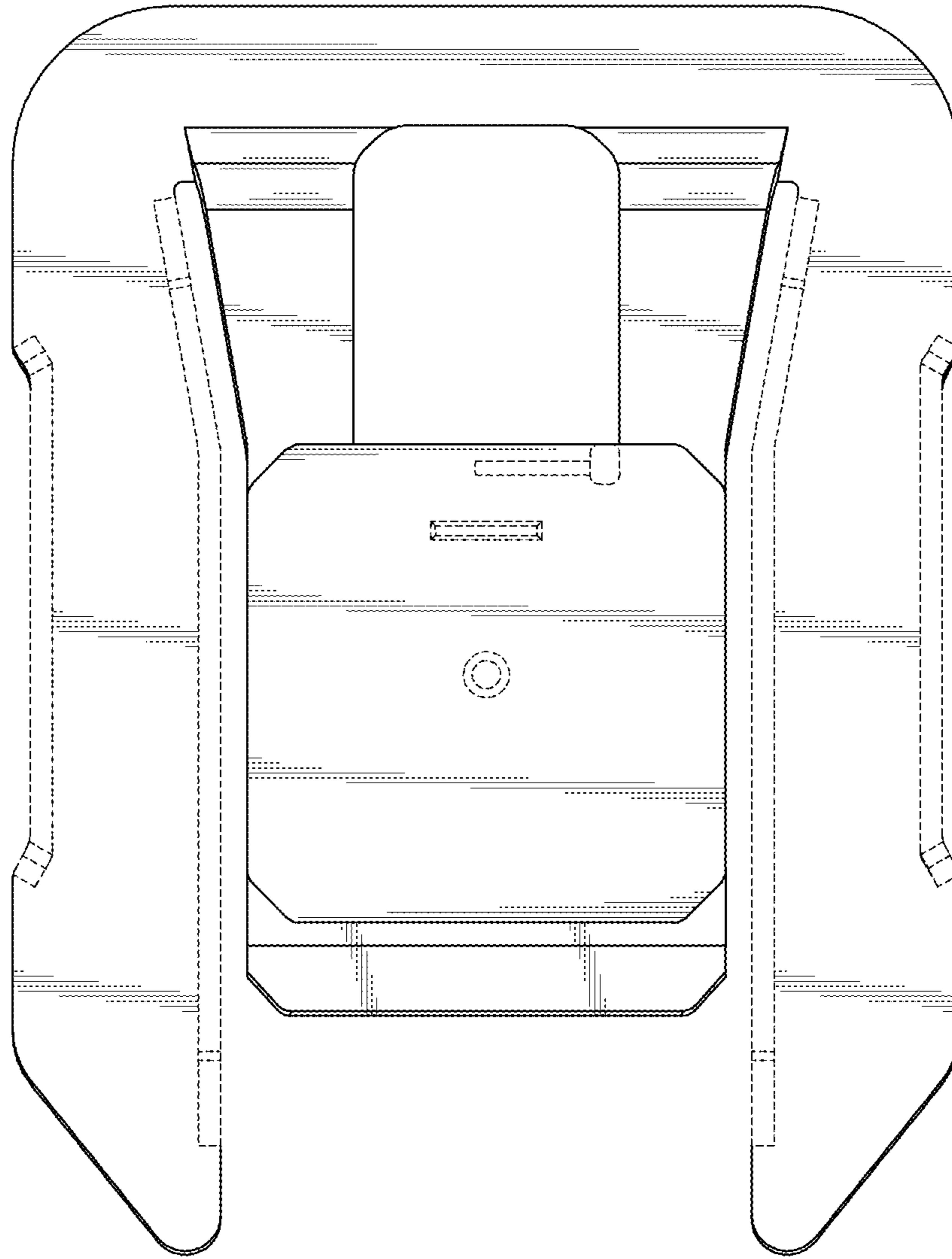


FIG. 5

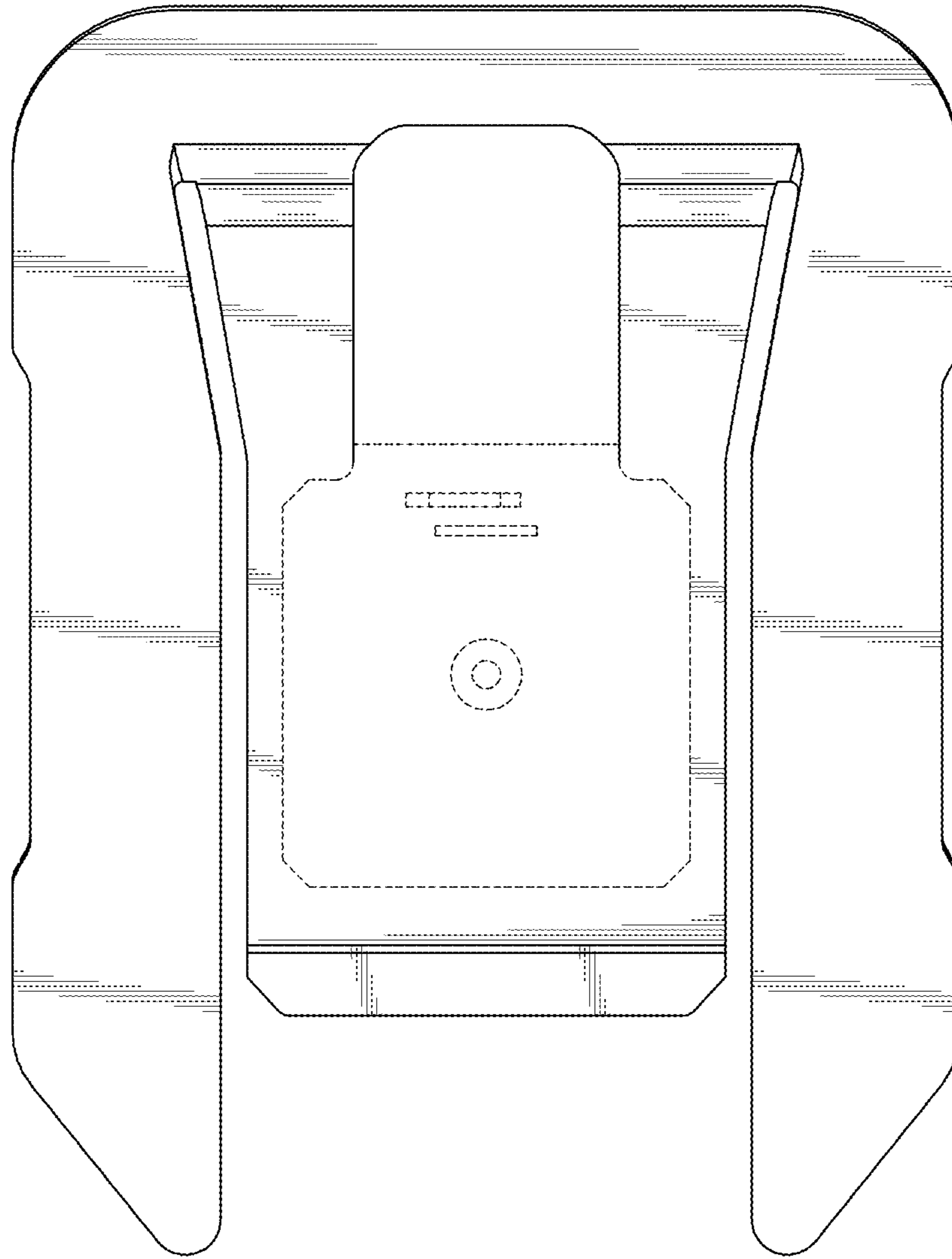


FIG. 6

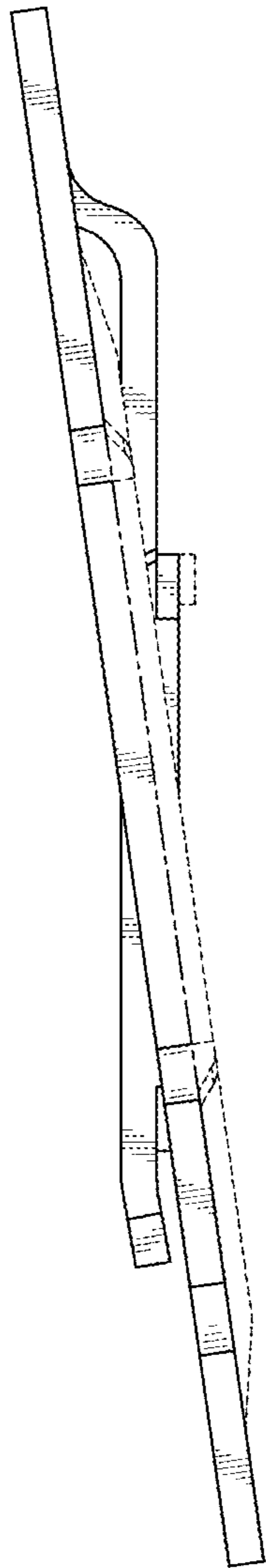


FIG. 7

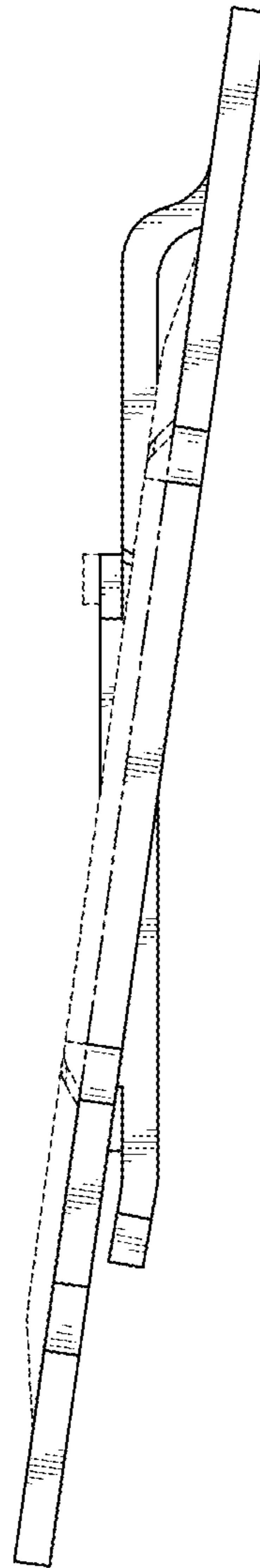


FIG. 8

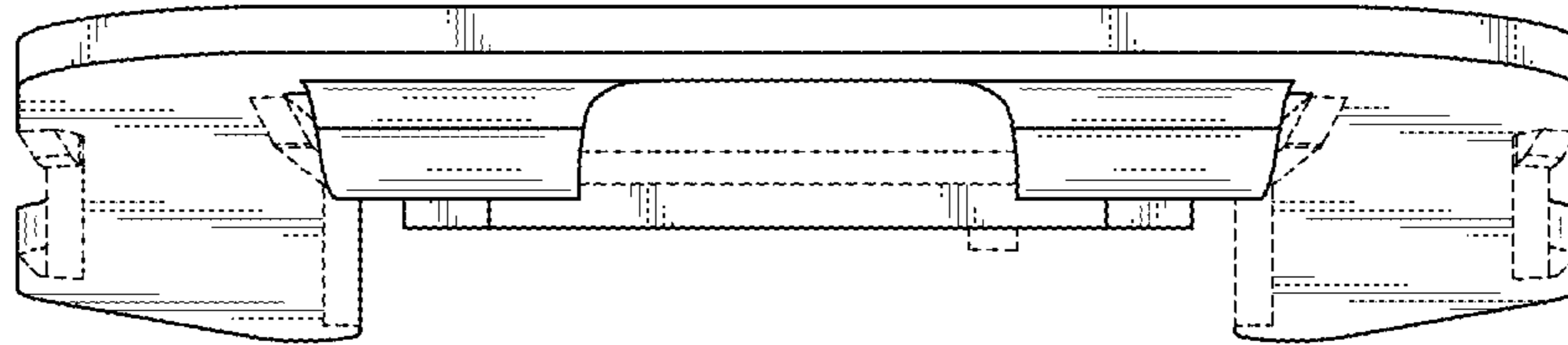


FIG. 9

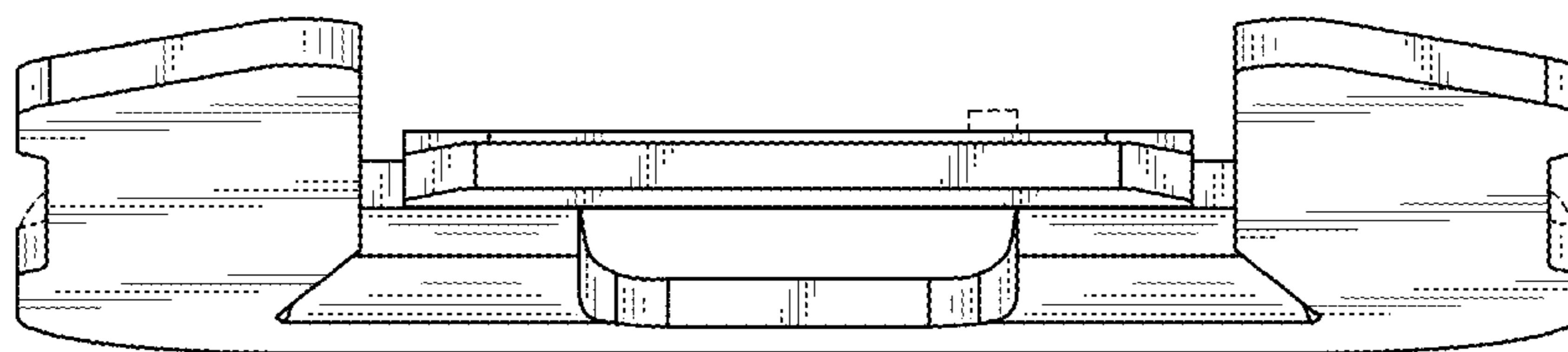


FIG. 10

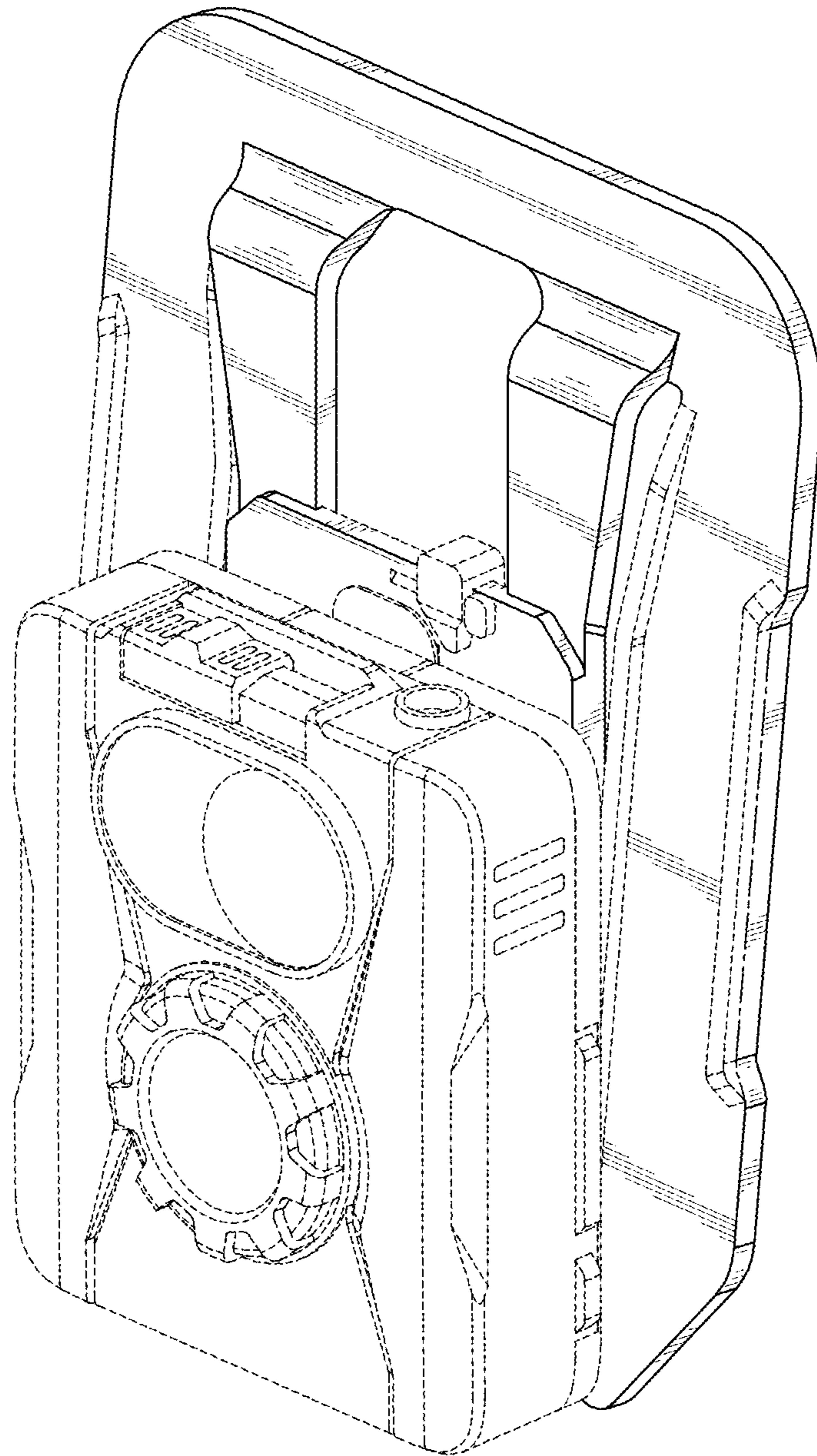


FIG. 11