



US00D954023S

(12) **United States Design Patent**
Andrianoely

(10) **Patent No.:** **US D954,023 S**
(45) **Date of Patent:** **** Jun. 7, 2022**

- (54) **LOUDSPEAKER**
- (71) Applicant: **Harman International Industries, Incorporated**, Northridge, CA (US)
- (72) Inventor: **Soarivo Marina Andrianoely**, Shenzhen (CN)
- (73) Assignee: **Harman International Industries, Incorporated**, Northridge, CA (US)
- (**) Term: **15 Years**
- (21) Appl. No.: **29/719,403**
- (22) Filed: **Jan. 3, 2020**
- (51) **LOC (13) Cl.** **14-01**
- (52) **U.S. Cl.**
USPC **D14/214; D14/204**
- (58) **Field of Classification Search**
USPC D14/204, 167, 188, 209.1, 210–217, 348, D14/496–505, 170–172, 219, 221, 222, D14/224, 193, 203.1, 203.2, 203.3, 203.4, D14/203.5, 203.6, 203.7, 203.8, 226
CPC H04R 1/02; H04R 1/021; H04R 1/023; H04R 1/025; H04R 1/026; H04R 1/028; H04R 1/323; H04R 1/403; H04R 1/2803; H04R 1/2834; H04R 5/00; H04R 5/02; H04R 9/06; H04R 2420/07; H04R 2201/021; H04R 2400/00; B60R 11/0217; G06F 1/1688; G10K 9/22; G10K 11/004; H04S 3/00; H04S 7/30
See application file for complete search history.

- D801,310 S 10/2017 Kachwalla et al.
- D803,183 S 11/2017 Lum et al.
- D806,055 S 12/2017 Fischer et al.
- D826,216 S * 8/2018 Schoolmeester D14/214
(Continued)

OTHER PUBLICATIONS

Design U.S. Appl. No. 29/639,416, filed Mar. 6, 2018.
Design U.S. Appl. No. 29/725,869, filed Feb. 27, 2020.
Harman JBL Link Bar Specification Sheet, 2018.

Primary Examiner — Janice Patyk
(74) *Attorney, Agent, or Firm* — Plumsea Law Group, LLC

(57) **CLAIM**

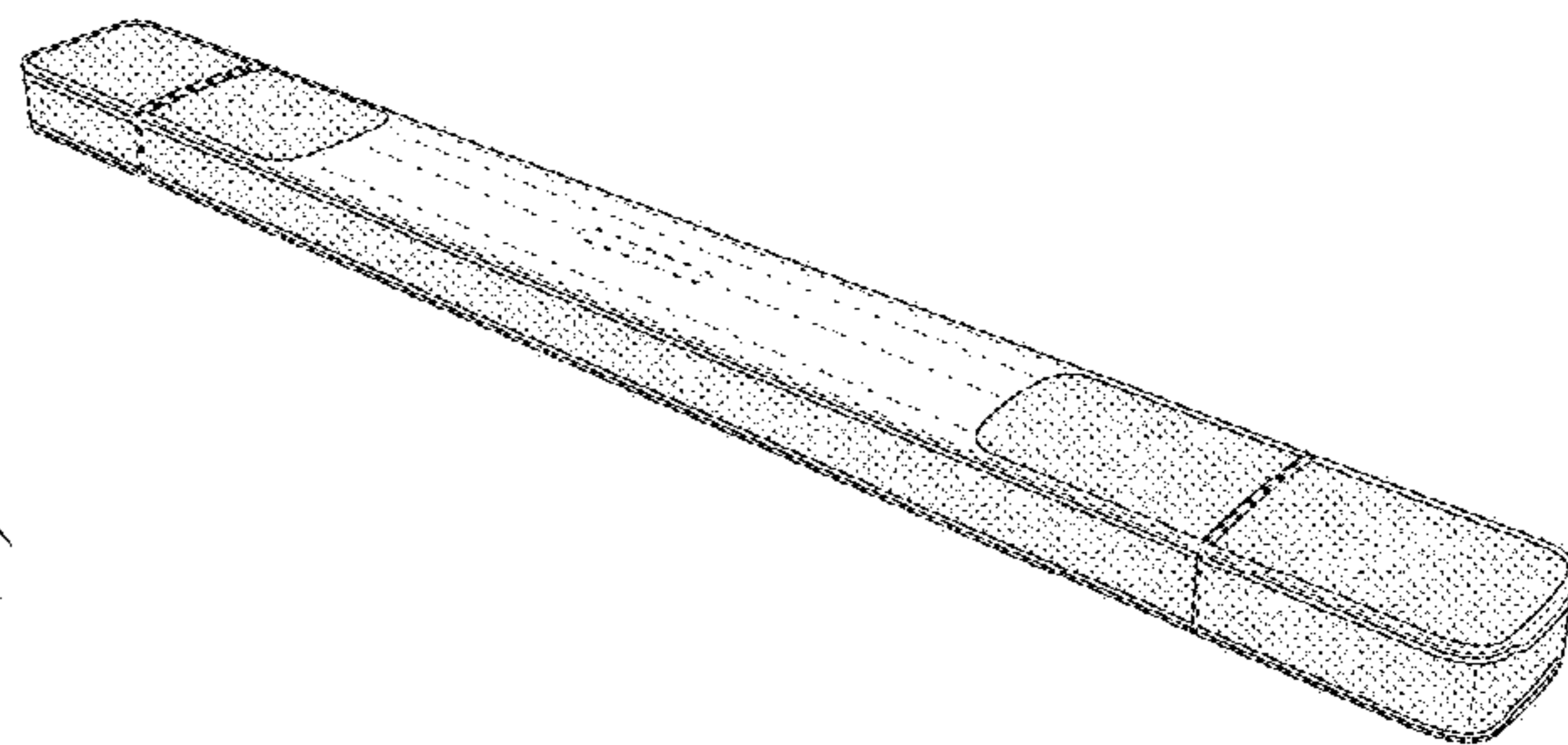
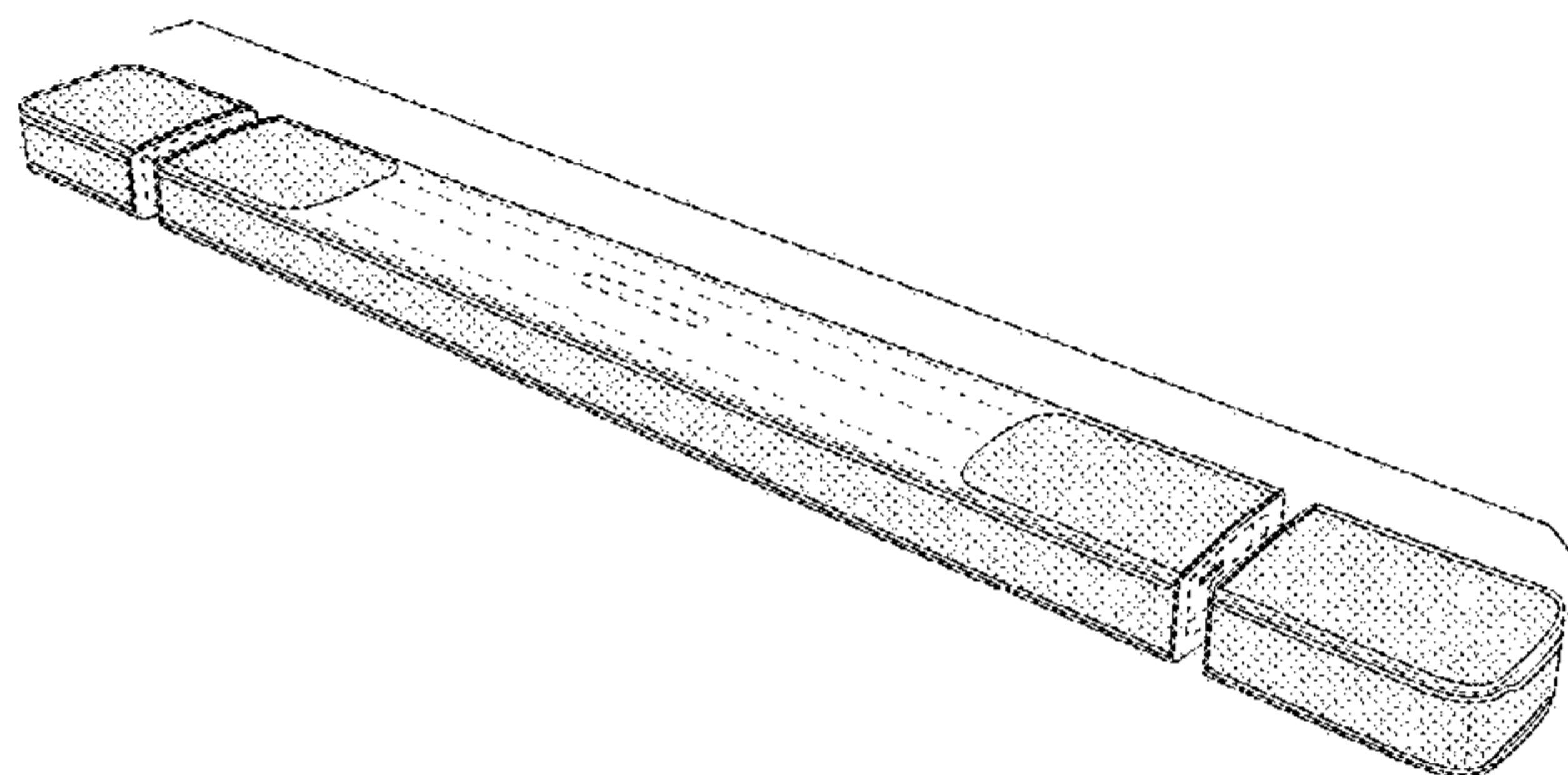
The ornamental design for a loudspeaker, as shown and described.

DESCRIPTION

FIG. 1 is an exploded top perspective view of a first embodiment of a loudspeaker showing the new design; FIG. 2 is an exploded front elevational view thereof; FIG. 3 is an exploded rear elevational view thereof; FIG. 4 is a side elevational view thereof; FIG. 5 is an opposite side elevational view thereof; FIG. 6 is an exploded top plan view thereof; FIG. 7 is an exploded bottom plan view thereof; FIG. 8 is a top perspective view of a second embodiment of a loudspeaker showing the new design; FIG. 9 is a front elevational view thereof; FIG. 10 is a rear elevational view thereof; FIG. 11 is a side elevational view thereof; FIG. 12 is an opposite side elevational view thereof; FIG. 13 is a top plan view thereof; and, FIG. 14 is a bottom plan view thereof.
The broken lines depict portions of the loudspeaker in which the design is embodied that form no part of the claimed design. The stippled shading represents a contrast in appearance relative to other portions of the loudspeaker.

1 Claim, 12 Drawing Sheets

- (56) **References Cited**
U.S. PATENT DOCUMENTS
D631,866 S 2/2011 Solland
D711,852 S 8/2014 Mackiewicz et al.
D754,104 S 4/2016 Yoon et al.
D768,603 S * 10/2016 Kim D14/214
D791,736 S * 7/2017 Schoolmeester D14/214
D793,362 S 8/2017 Fischer



(56)

References Cited

U.S. PATENT DOCUMENTS

D826,891	S	*	8/2018	Kim	D14/204
D826,892	S	*	8/2018	Kim	D14/204
D845,269	S		4/2019	Yang et al.		
D852,774	S	*	7/2019	Sugiura	D14/204
D856,301	S		8/2019	Lum et al.		
D862,415	S		10/2019	Krizan et al.		
D868,726	S		12/2019	Kim et al.		
D886,799	S	*	6/2020	Yang	D14/214
D900,060	S	*	10/2020	Oota	D14/214
D900,785	S	*	11/2020	Kim	D14/214
D900,786	S	*	11/2020	Kim	D14/214
D906,278	S	*	12/2020	Laine	D14/204
D906,283	S	*	12/2020	Schoolmeester	D14/214
D906,286	S	*	12/2020	Hung	D14/214

* cited by examiner

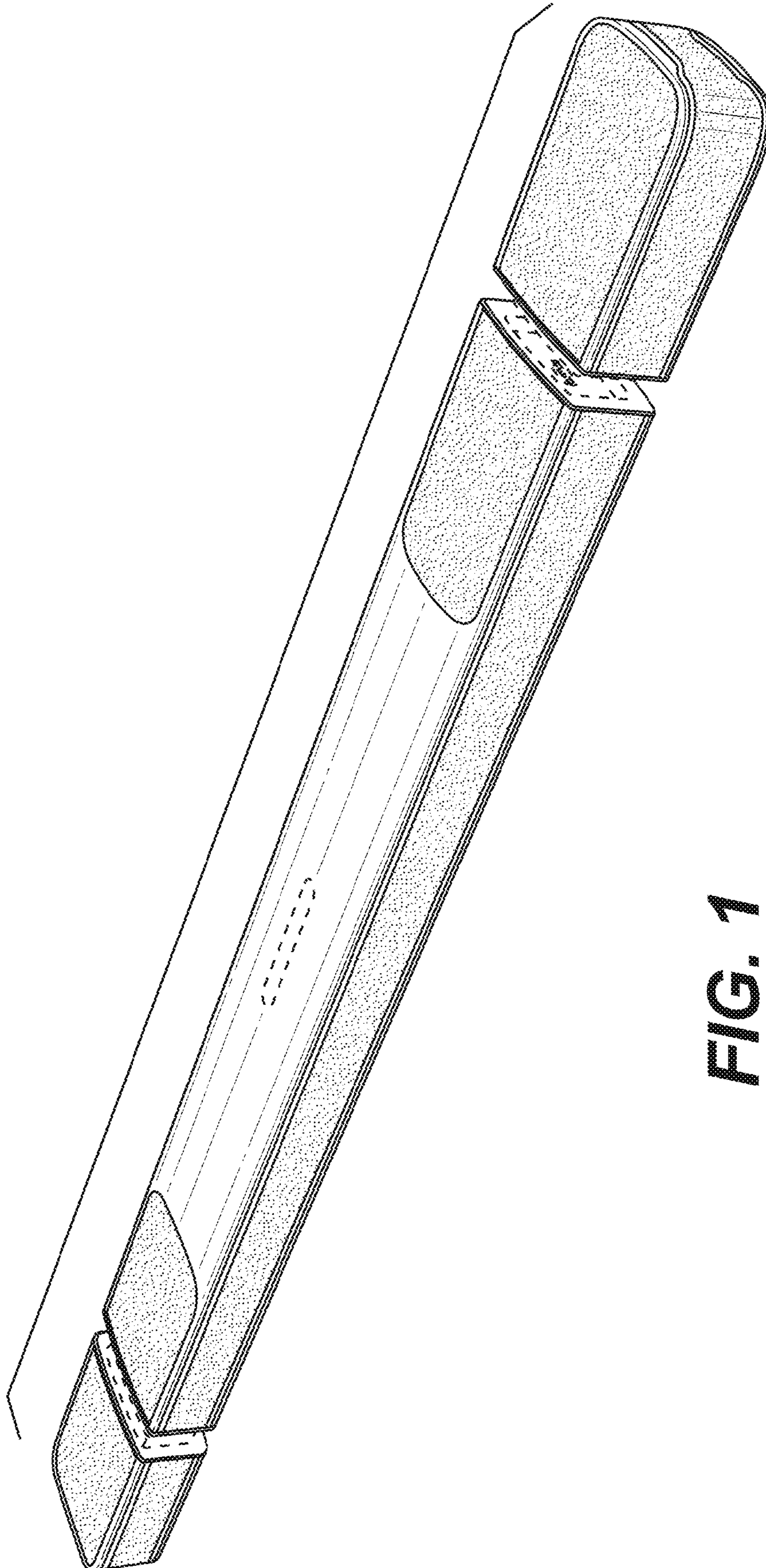


FIG. 1

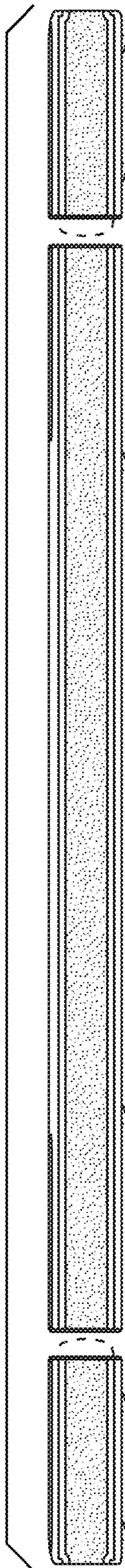


FIG. 2

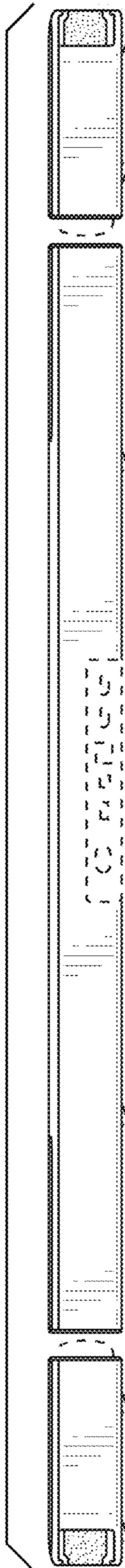


FIG. 3

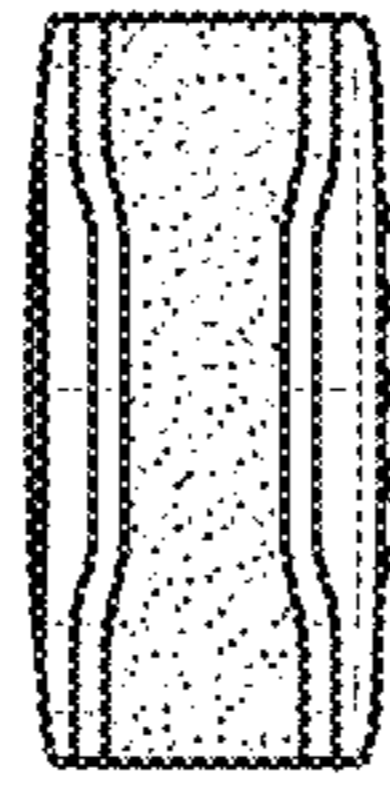


FIG. 5

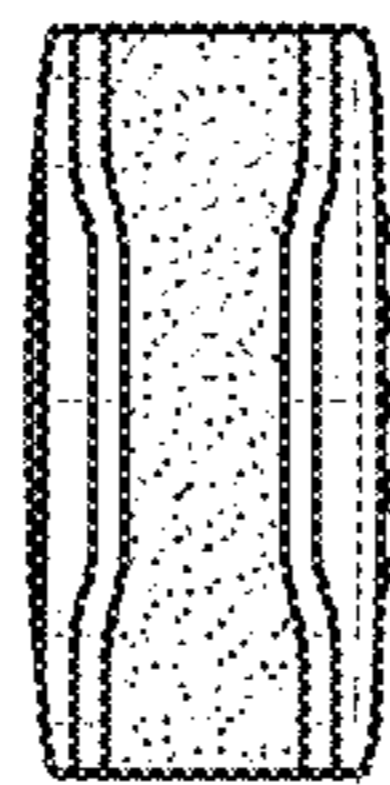


FIG. 4

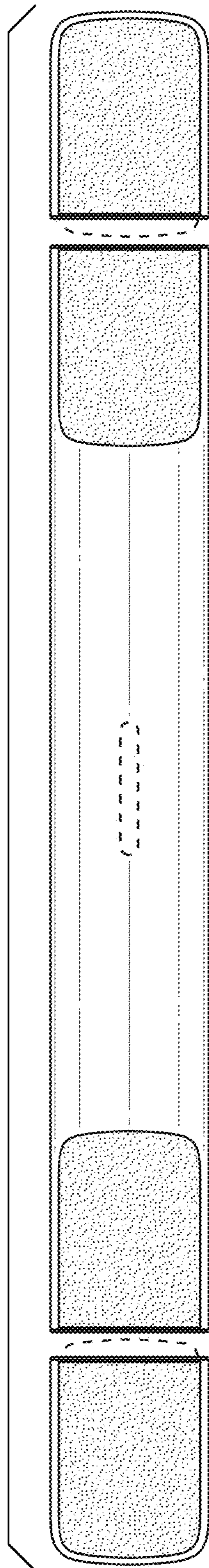


FIG. 6

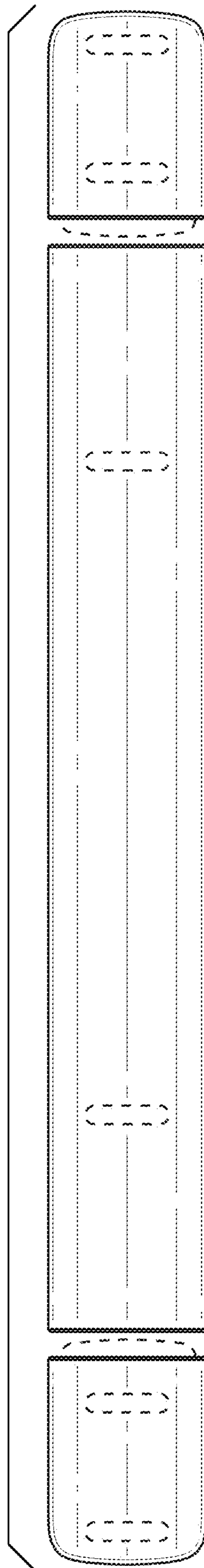


FIG. 7

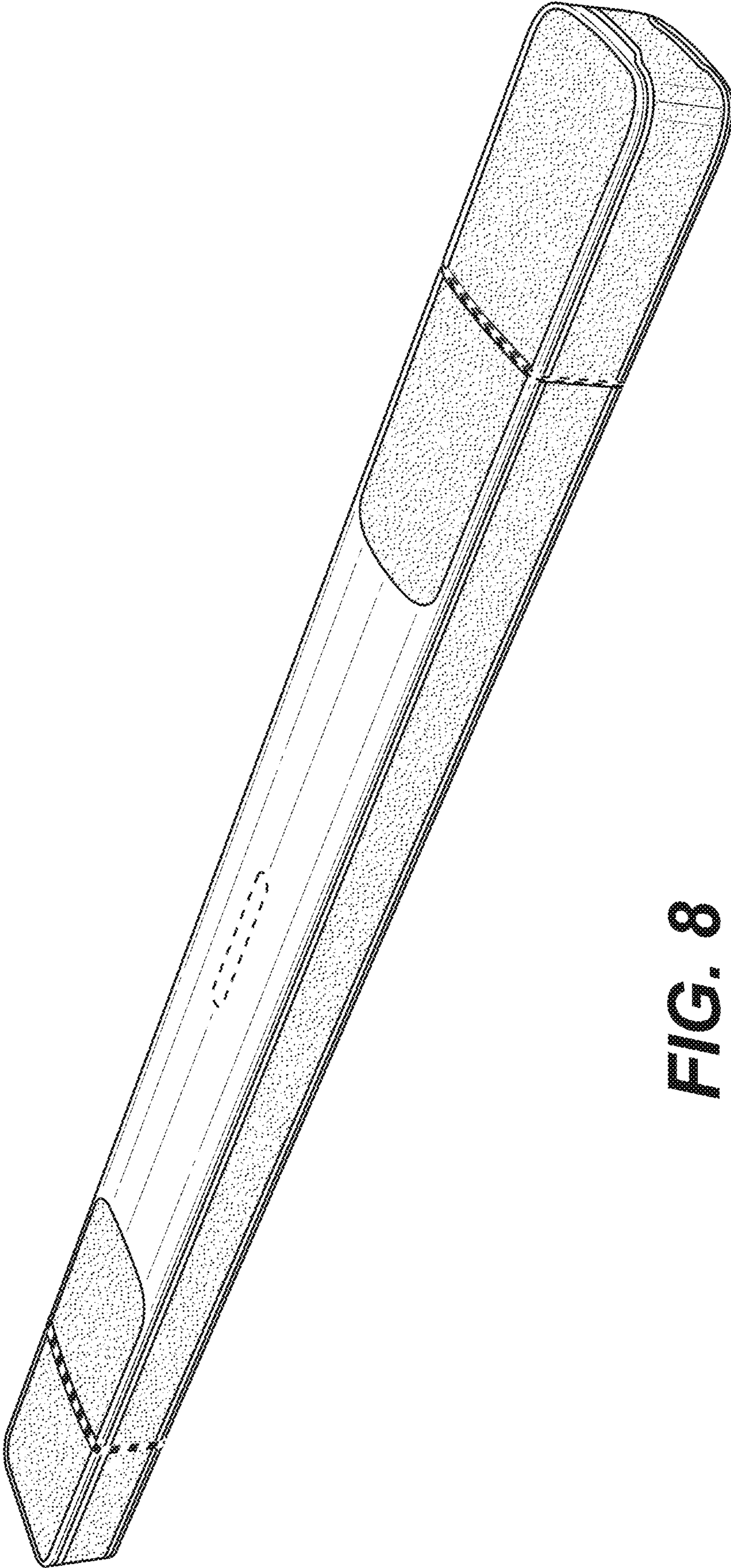


FIG. 8

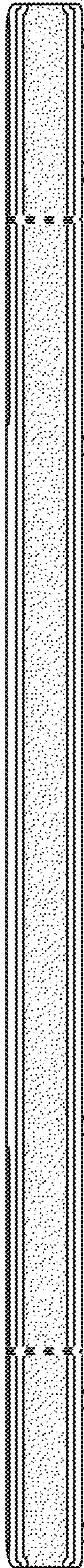


FIG. 9

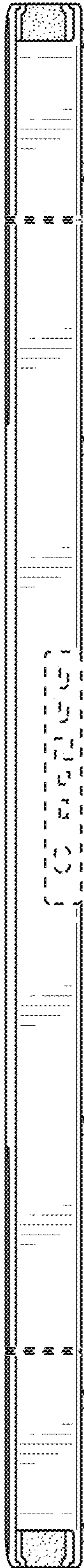


FIG. 10

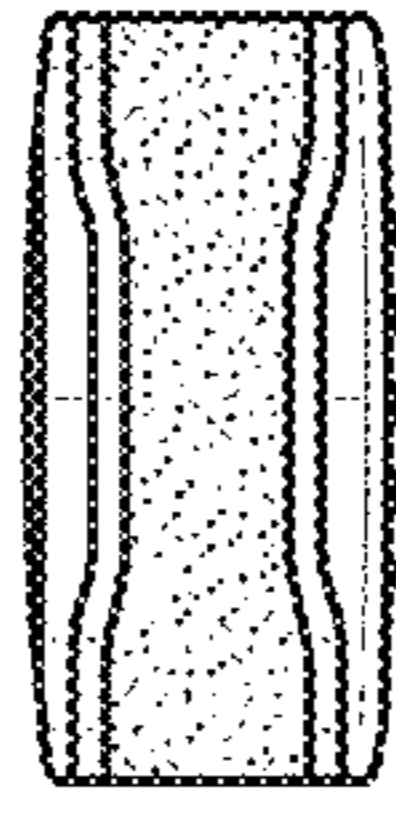


FIG. 12

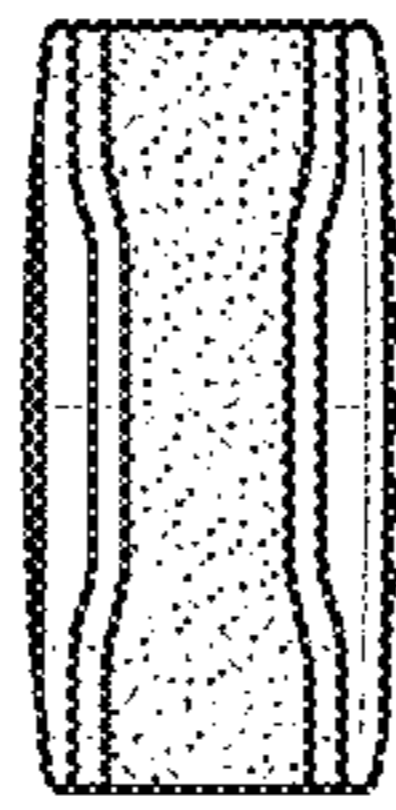


FIG. 11

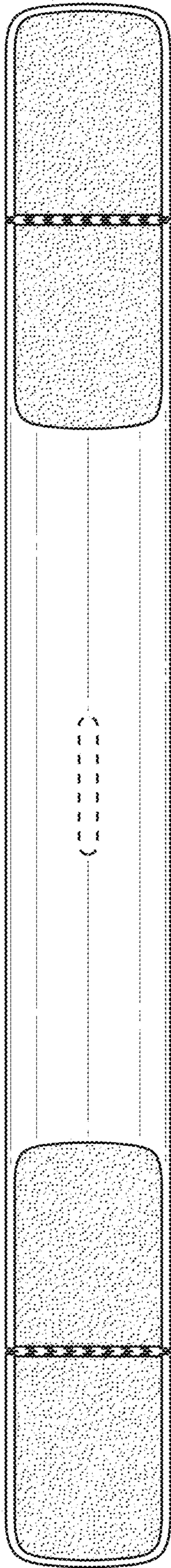


FIG. 13

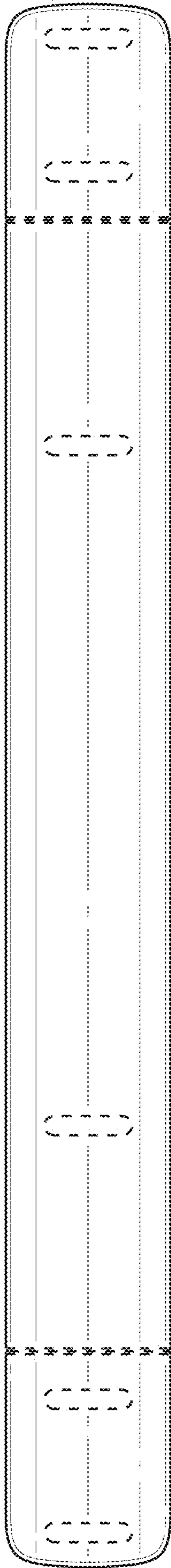


FIG. 14