



US00D954022S

(12) **United States Design Patent**  
**Chen**

(10) **Patent No.:** **US D954,022 S**

(45) **Date of Patent:** **\*\* Jun. 7, 2022**

(54) **HEADPHONE**

(71) Applicant: **Shenzhen Shenggao Network Technology Co., Ltd., Shenzhen (CN)**

(72) Inventor: **Xiongbn Chen, Shenzhen (CN)**

(\*\*) Term: **15 Years**

(21) Appl. No.: **29/744,745**

(22) Filed: **Jul. 31, 2020**

(51) **LOC (13) Cl.** ..... **14-01**

(52) **U.S. Cl.**

USPC ..... **D14/206; D14/226**

(58) **Field of Classification Search**

USPC ..... D14/206, 226, 205, 188, 192, 225;  
D29/112; 2/209; 181/129; 379/430;  
381/380, 381, 374, 375, 379, 309;  
455/90.3, 575.1, 569.1

CPC ..... H04R 25/00; H04R 25/02; H04R 1/1066;  
H04R 1/1016; H04R 5/033; H04R  
5/0335; H04R 1/105; H04R 19/04; H04R  
11/04; H04R 1/1091

See application file for complete search history.

(56) **References Cited**

**U.S. PATENT DOCUMENTS**

- 1,483,315 A \* 2/1924 Saal ..... H04R 1/1066  
381/378
- 1,546,567 A \* 7/1925 Childress ..... H04R 1/1066  
381/377
- 1,648,832 A \* 11/1927 Urban ..... H04R 1/1008  
181/129
- 1,649,551 A \* 11/1927 Smith ..... H04R 1/1066  
381/378
- 2,117,236 A \* 5/1938 Beard ..... F16D 23/12  
192/99 S
- 2,782,423 A \* 2/1957 Simon ..... A61F 11/14  
2/209

- 3,548,118 A \* 12/1970 Hutchings ..... H04R 1/105  
379/430
- D233,444 S \* 10/1974 Christian ..... D14/206
- 3,862,378 A \* 1/1975 Norris ..... H04M 1/05  
379/430
- 4,654,883 A \* 3/1987 Iwata ..... H04B 1/385  
379/430
- 4,727,585 A \* 2/1988 Flygstad ..... H04R 5/0335  
2/209
- D301,145 S \* 5/1989 Besasie ..... D14/205
- 4,829,571 A \* 5/1989 Kakiuchi ..... H04R 5/04  
381/309
- 4,926,961 A \* 5/1990 Gattey ..... G10K 11/22  
181/18

(Continued)

**FOREIGN PATENT DOCUMENTS**

- EM 008321947-0001 \* 12/2020
- EM 008464721-0001 \* 3/2021

(Continued)

*Primary Examiner* — Paula Allen Greene

(57) **CLAIM**

The ornamental design for a headphone, as shown and described.

**DESCRIPTION**

FIG. 1 is a first perspective view of a headphone showing my new design;

FIG. 2 is a second perspective view thereof;

FIG. 3 is a front view thereof;

FIG. 4 is a back view thereof;

FIG. 5 is a left side view thereof;

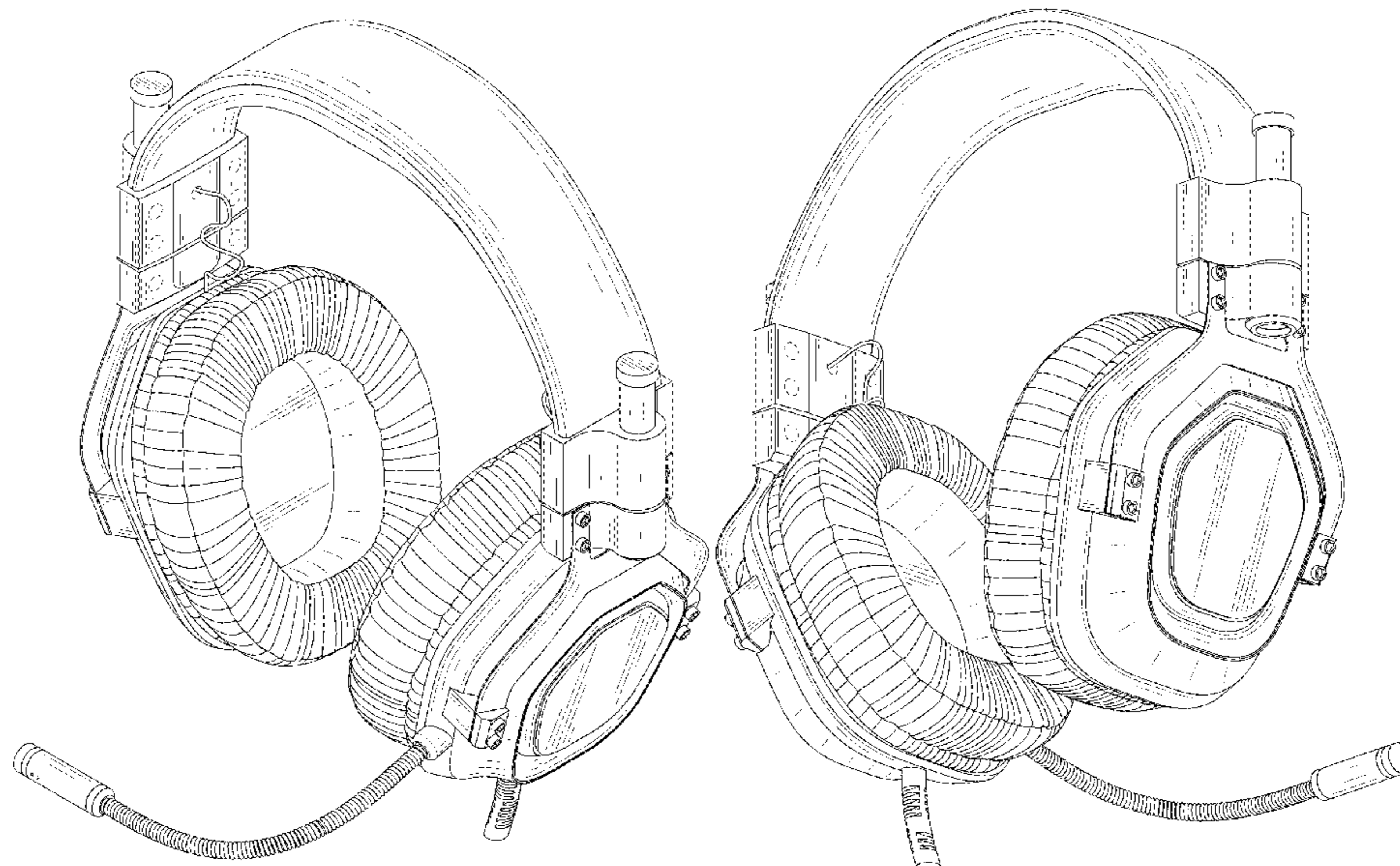
FIG. 6 is a right side view thereof;

FIG. 7 is a top view thereof; and,

FIG. 8 is a bottom view thereof.

The broken lines shown in the drawings depict portions of the headphone in which the design is embodied that form no part of the claimed design.

**1 Claim, 8 Drawing Sheets**



(56)

References Cited

U.S. PATENT DOCUMENTS

5,035,005 A \* 7/1991 Hung ..... H04R 1/1066  
2/209  
5,056,161 A \* 10/1991 Breen ..... H04R 1/1066  
2/209  
5,210,792 A \* 5/1993 Kajihara ..... H04M 1/05  
379/430  
5,293,647 A \* 3/1994 Mirmilshhteyn ..... H04R 1/10  
2/209  
D371,133 S \* 6/1996 Andrea ..... D14/206  
D431,550 S \* 10/2000 Yoneda ..... D14/205  
D457,512 S \* 5/2002 Yoneda ..... H04R 5/0335  
D14/205  
D491,917 S \* 6/2004 Asai ..... D14/205  
D510,335 S \* 10/2005 Suzuki ..... D14/205  
D514,087 S \* 1/2006 Wilson ..... D14/206  
D518,474 S \* 4/2006 Suzuki ..... D14/205  
D518,479 S \* 4/2006 Skulley ..... D14/225  
D519,110 S \* 4/2006 Komiyama ..... D14/223  
7,031,475 B2 \* 4/2006 Kuraoka ..... H04M 1/0289  
379/428.02  
7,106,873 B1 \* 9/2006 Harrison ..... A61N 1/36038  
381/330  
D529,480 S \* 10/2006 Wittenbrock ..... D14/206  
D533,166 S \* 12/2006 Marquez ..... D14/225  
D573,581 S \* 7/2008 Gondo ..... D14/205  
7,457,649 B1 \* 11/2008 Wilson ..... H04R 1/1025  
379/428.02  
D592,639 S \* 5/2009 Kuh ..... D14/205  
D597,070 S \* 7/2009 Zheng ..... D14/205  
D603,370 S \* 11/2009 Suzuki ..... D14/205  
D625,703 S \* 10/2010 Kolton ..... D14/205

D633,895 S \* 3/2011 Morimoto ..... D14/205  
D639,775 S \* 6/2011 Horibe ..... D14/205  
8,139,807 B2 \* 3/2012 Reiss ..... H04R 1/1058  
381/375  
8,223,984 B2 \* 7/2012 Roos ..... A61F 11/14  
381/72  
D666,990 S \* 9/2012 Komiyama ..... D14/205  
D691,583 S \* 10/2013 Kitayama ..... D14/205  
D710,822 S \* 8/2014 Gan ..... H04R 1/1066  
D14/205  
D711,347 S \* 8/2014 Gan ..... H04R 1/1066  
D14/205  
D772,842 S \* 11/2016 Sharp ..... D14/205  
D818,966 S \* 5/2018 Paterson ..... D13/153  
D820,813 S \* 6/2018 Sharp ..... D14/206  
D832,811 S \* 11/2018 Levine ..... D14/205  
D835,080 S \* 12/2018 Chen ..... D14/226  
D856,967 S \* 8/2019 Tang ..... D14/206  
D856,969 S \* 8/2019 Tang ..... D14/206  
D864,157 S \* 10/2019 Hu ..... D14/206  
D878,331 S \* 3/2020 Tsubone ..... D14/206  
D881,843 S \* 4/2020 Hu ..... D14/206  
D885,363 S \* 5/2020 Li ..... D14/205  
D893,454 S \* 8/2020 Li ..... D14/206  
D910,594 S \* 2/2021 Chen ..... D14/206  
2009/0238397 A1 \* 9/2009 Reiss ..... H04R 1/1083  
381/375  
2017/0019728 A1 \* 1/2017 Cochran ..... H04R 1/1091

FOREIGN PATENT DOCUMENTS

EM 003304377-0015 \* 7/2021  
EM 008642748-0002 \* 8/2021

\* cited by examiner

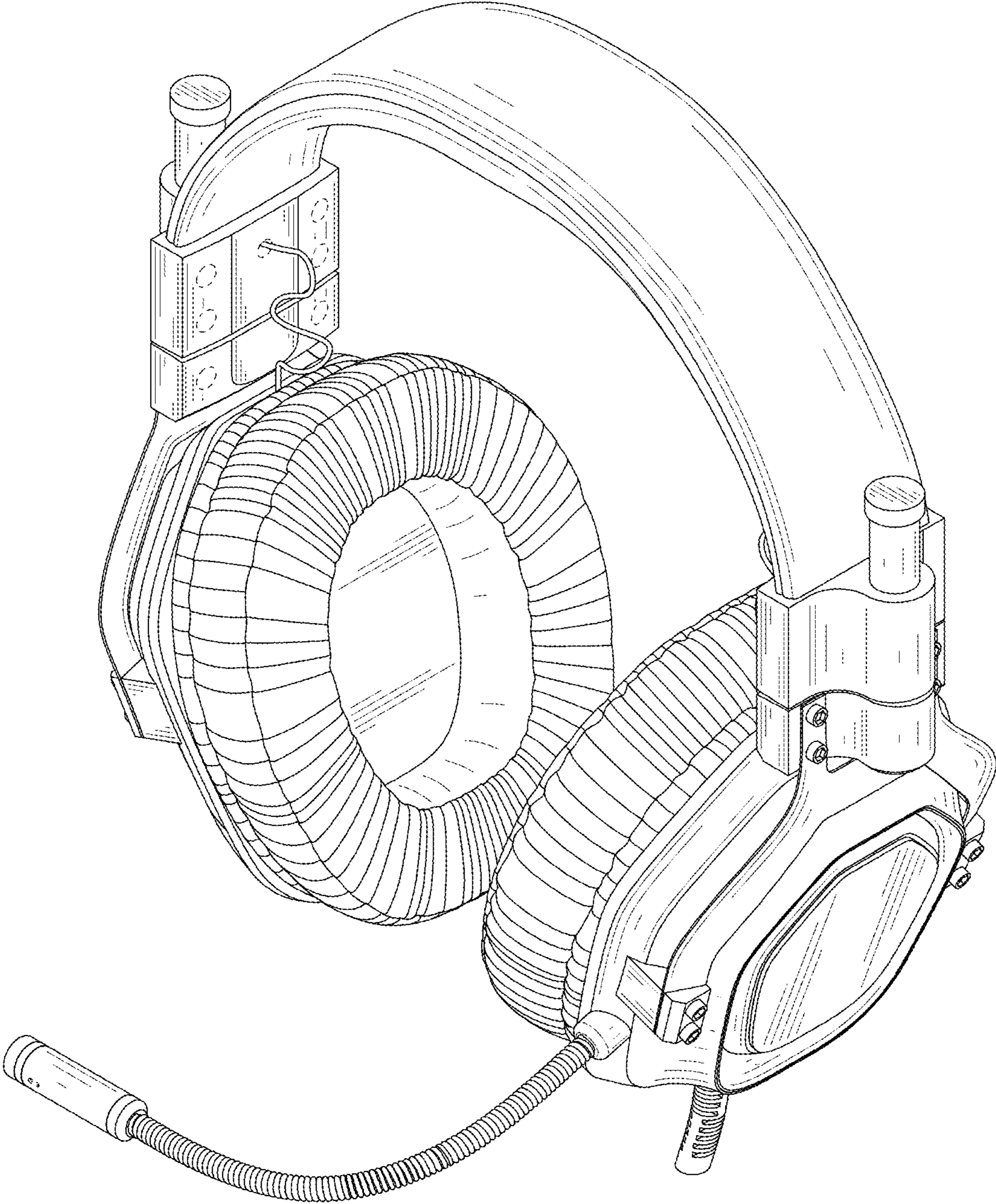


FIG. 1

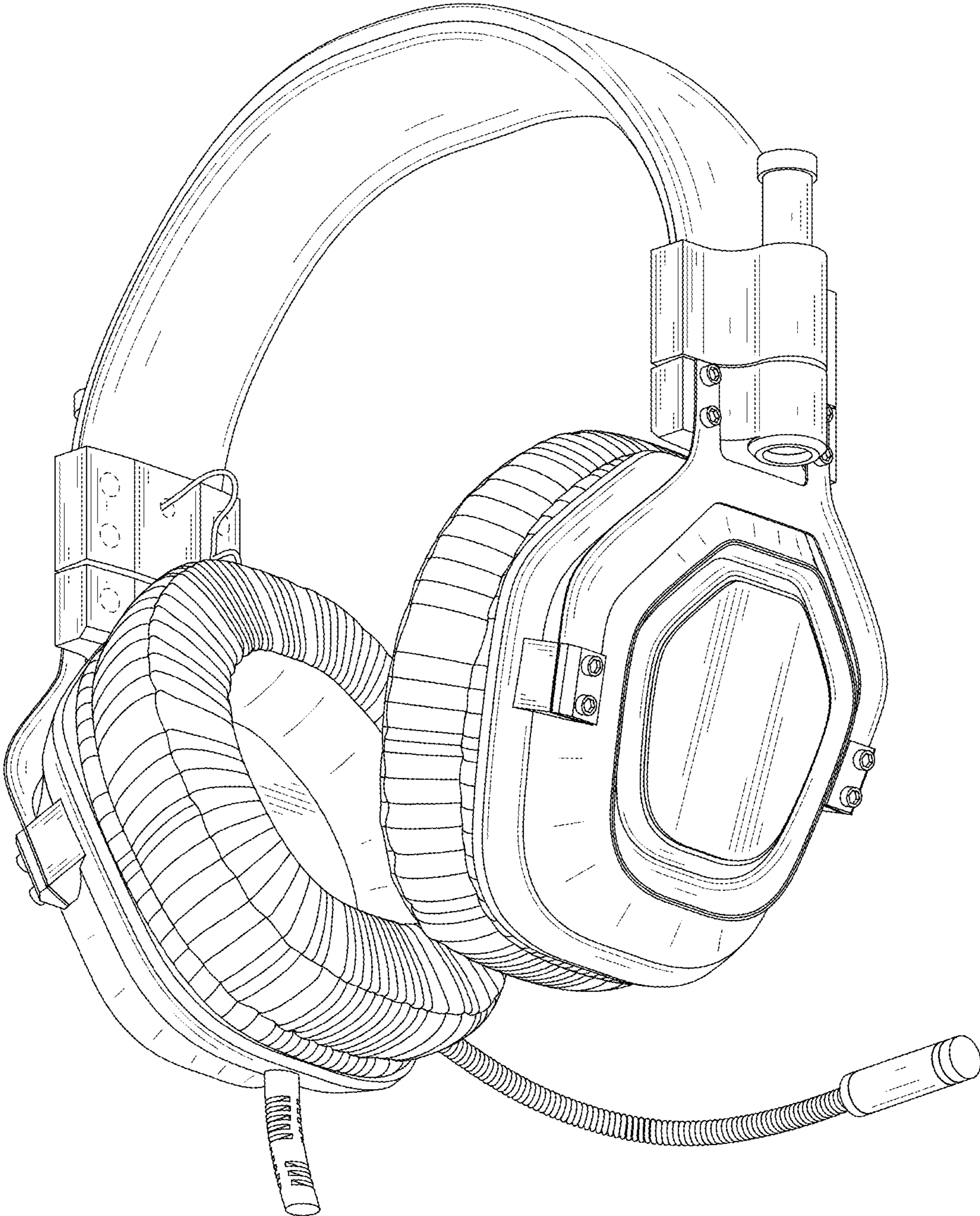


FIG. 2

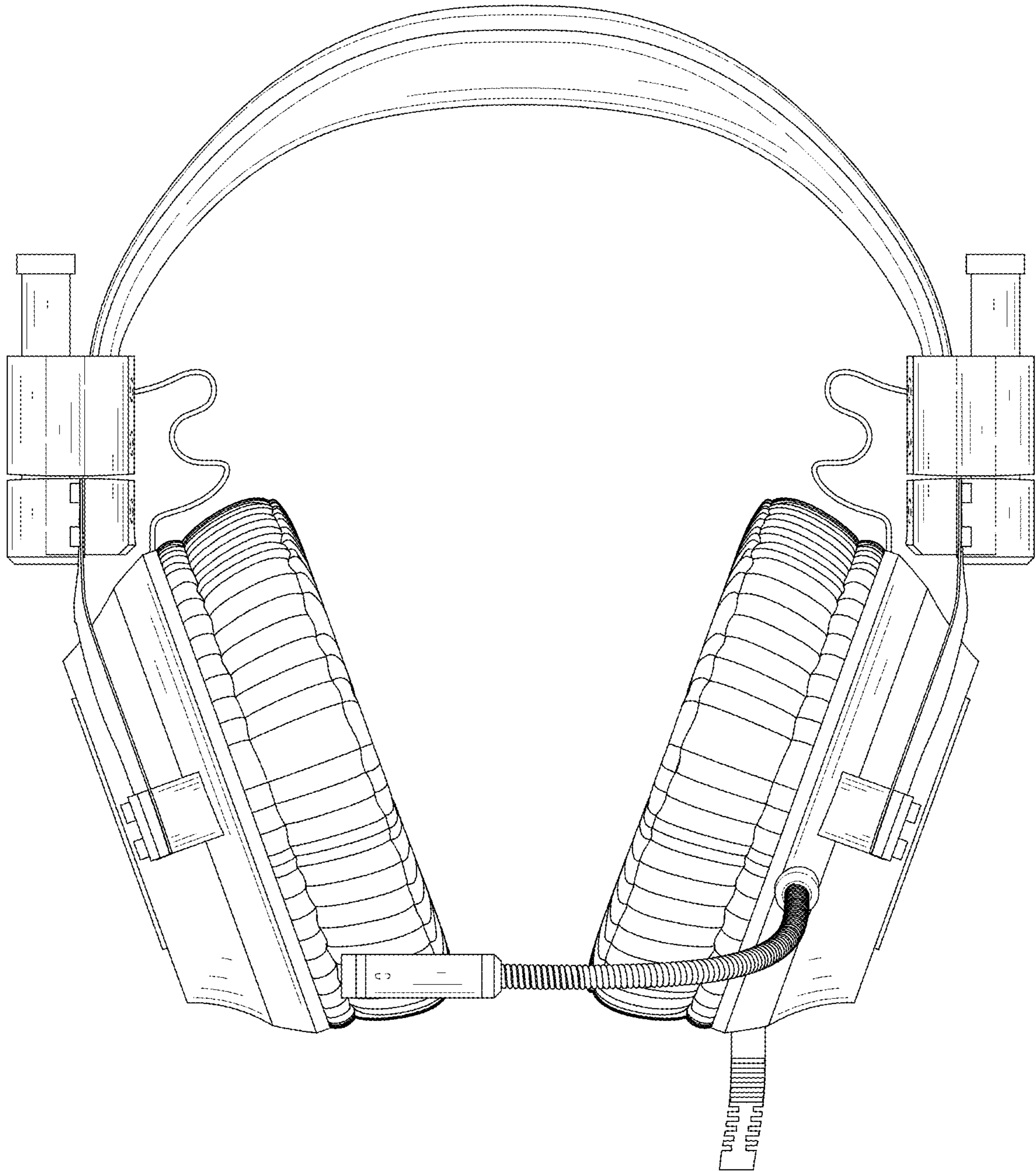


FIG. 3

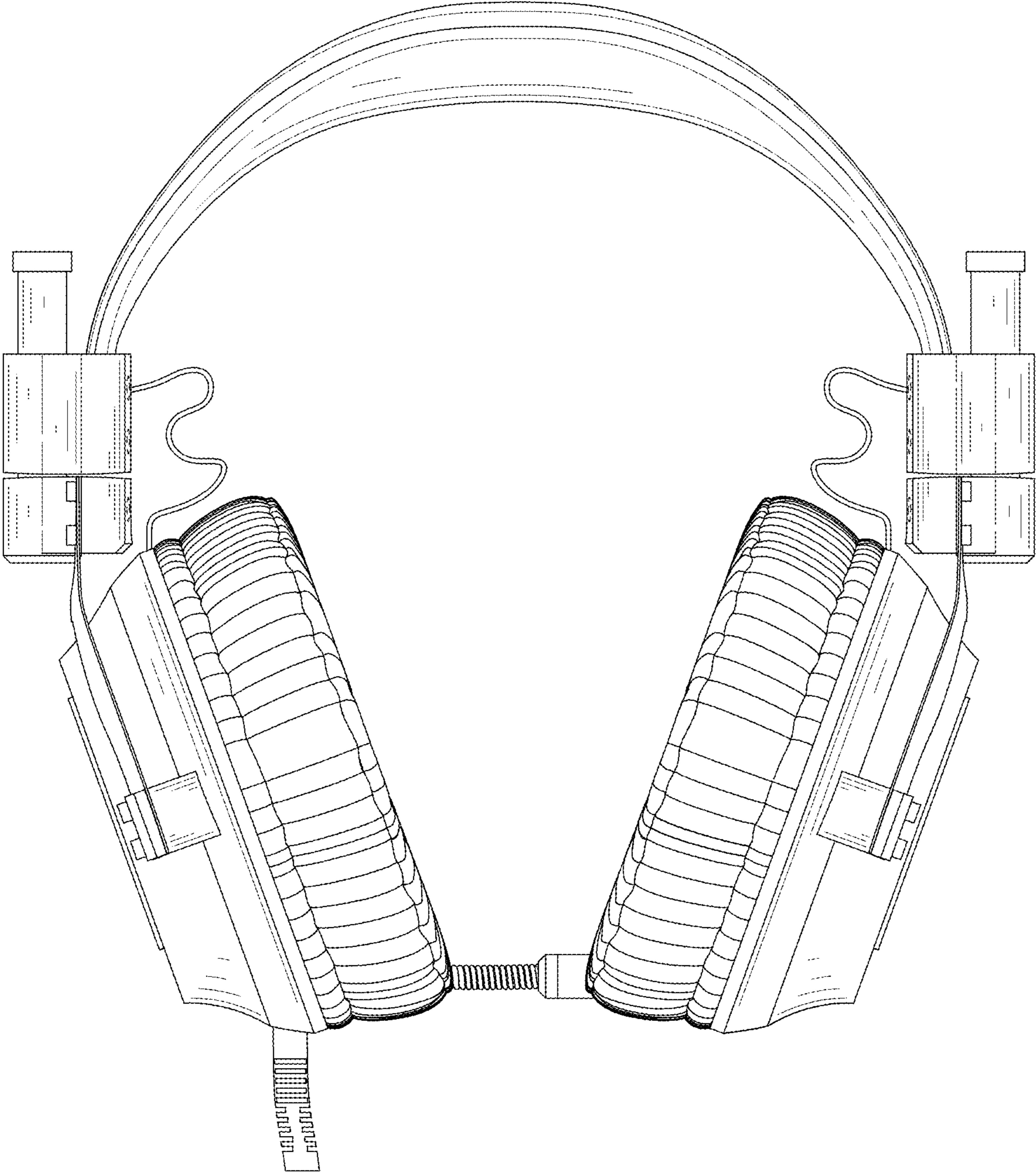


FIG. 4

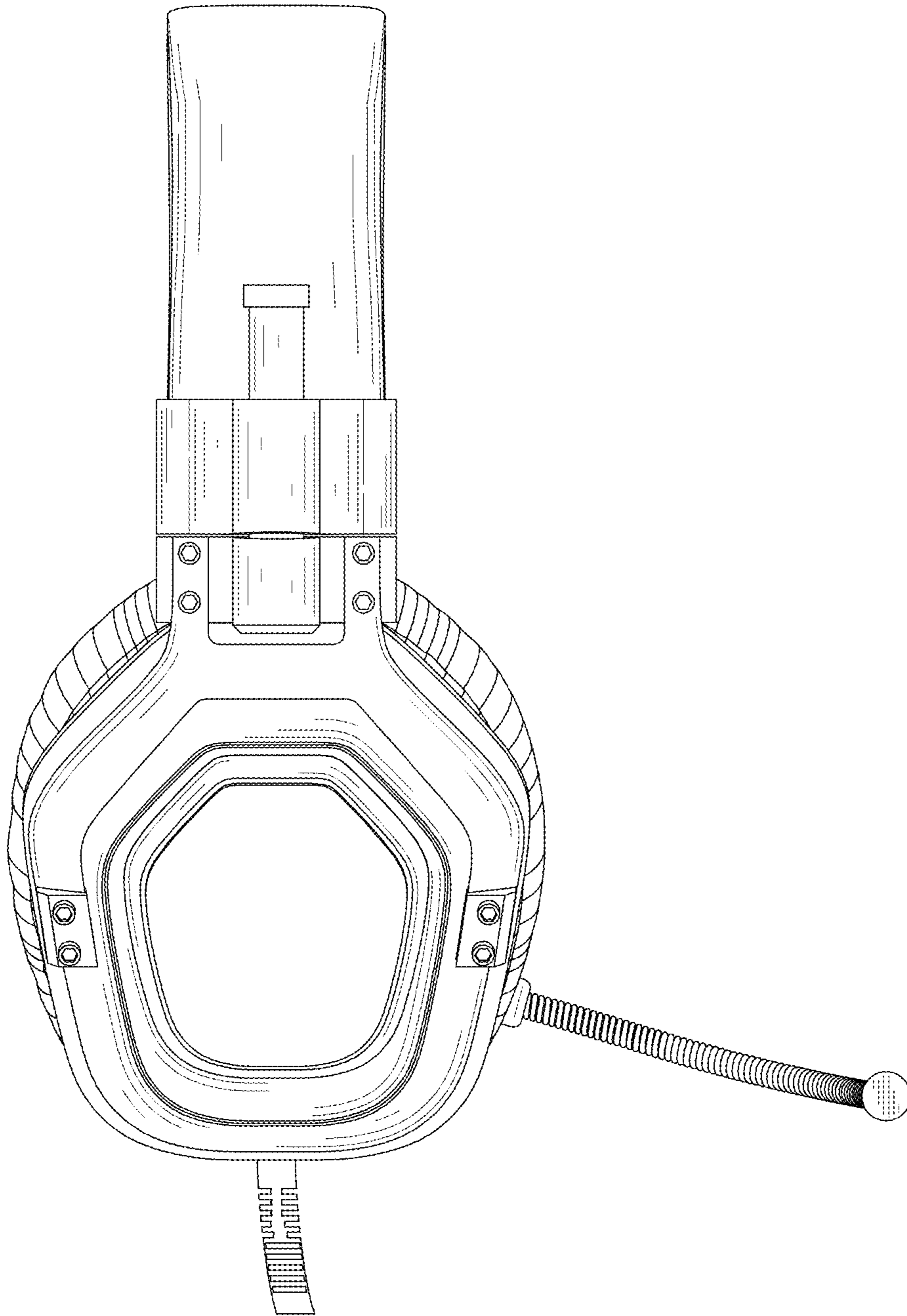


FIG. 5

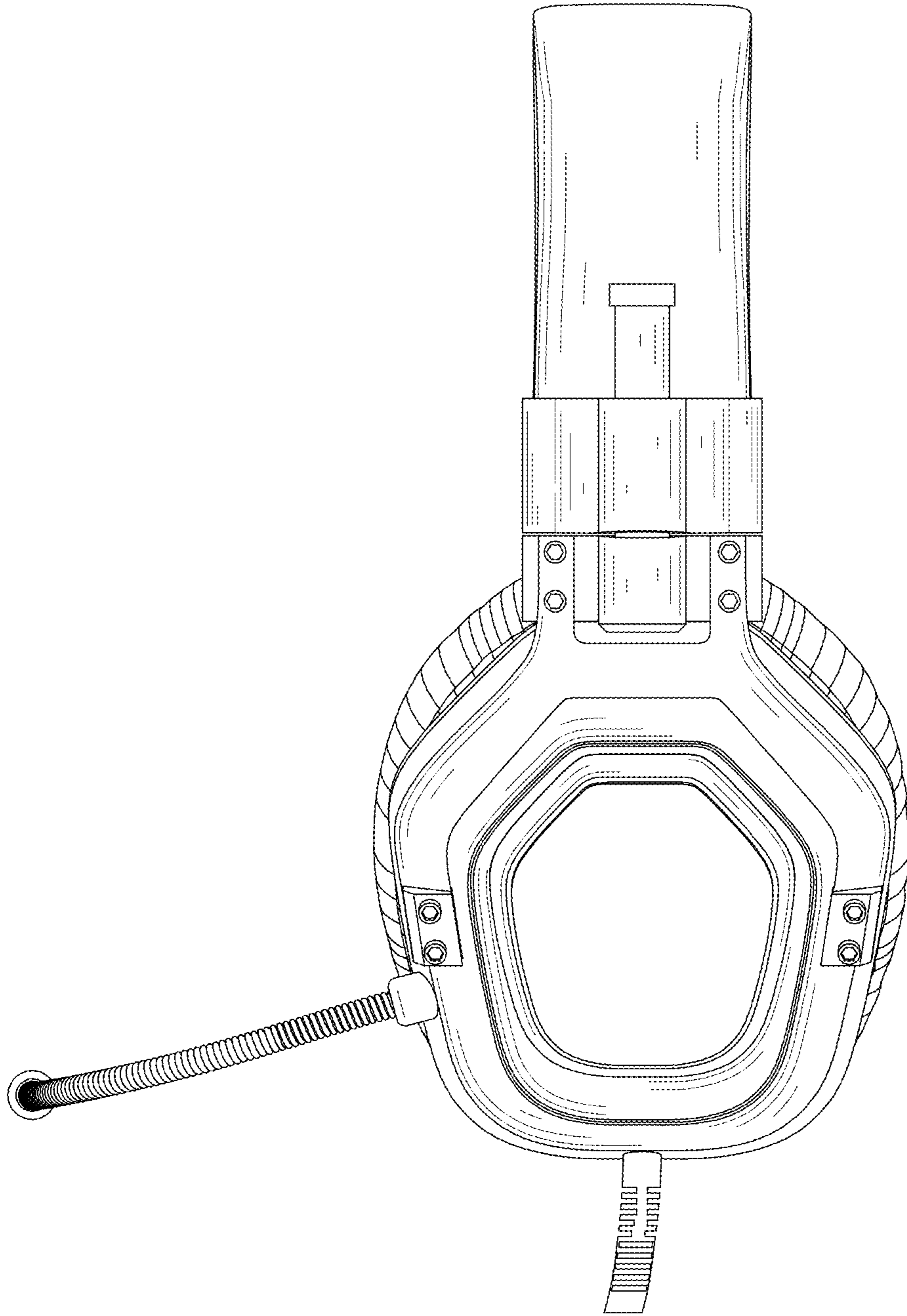


FIG. 6



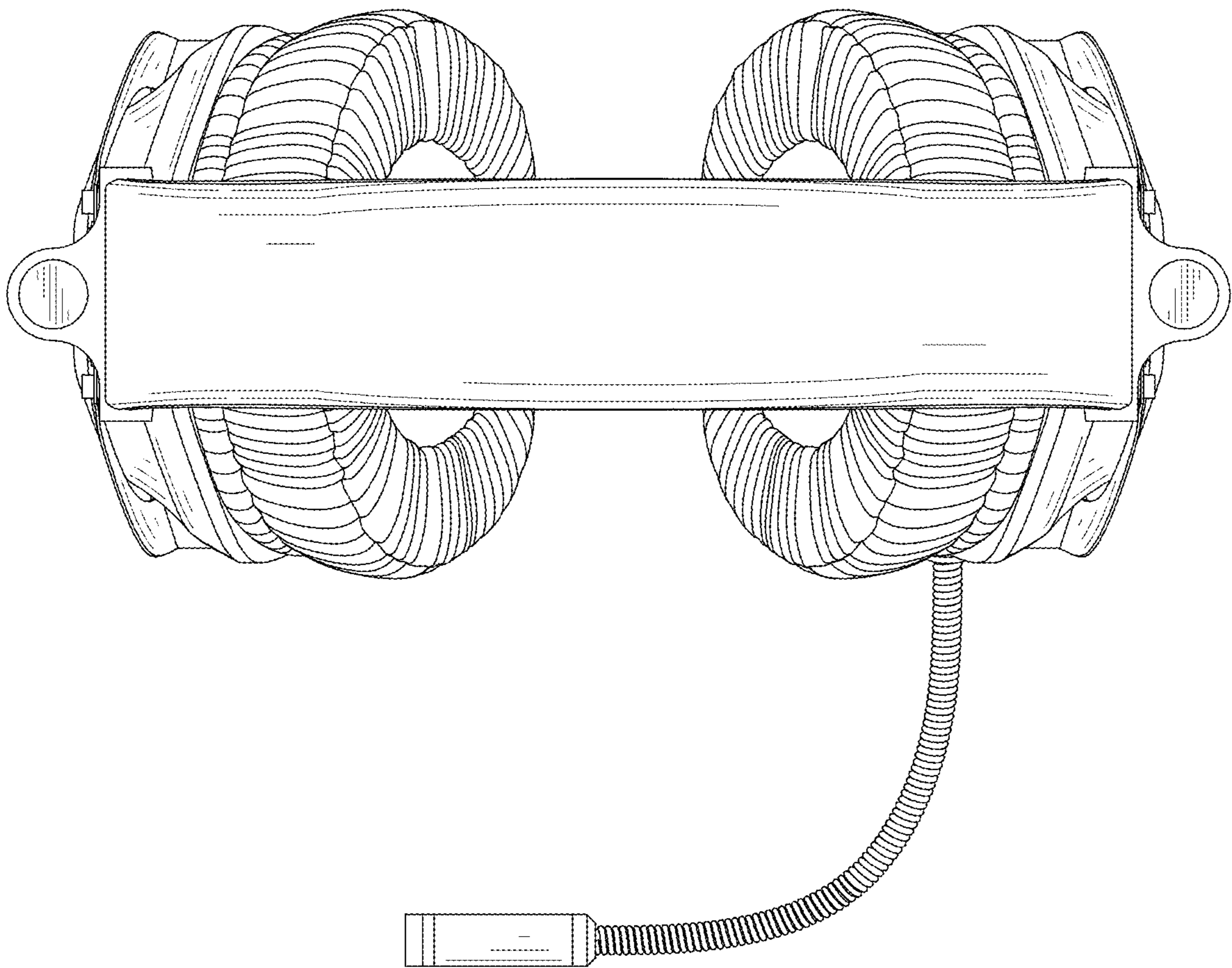


FIG. 7

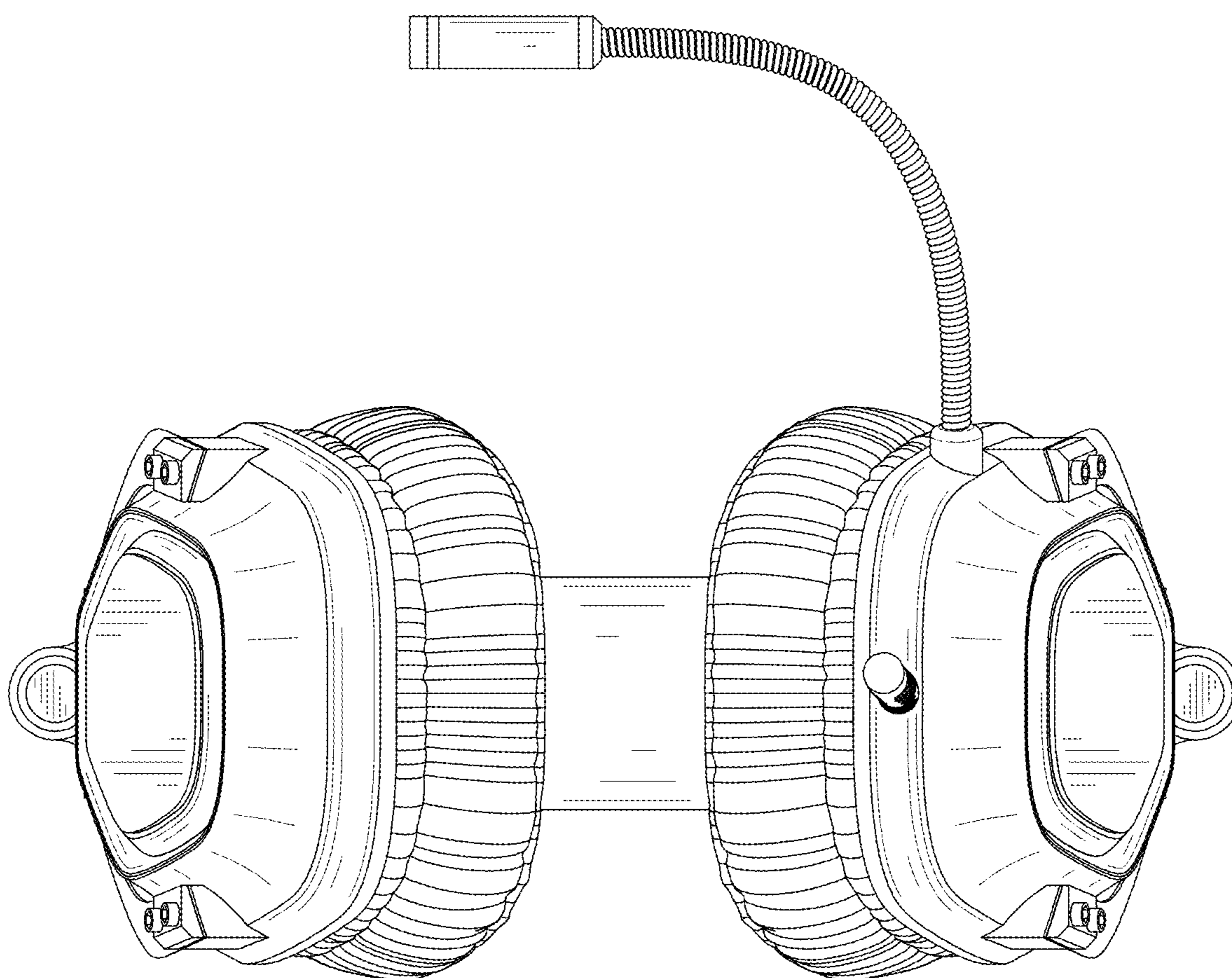


FIG. 8