



US00D954021S

(12) **United States Design Patent**  
**He et al.**

(10) **Patent No.:** **US D954,021 S**  
(45) **Date of Patent:** **\*\* Jun. 7, 2022**

(54) **KID WIRELESS HEADPHONES**  
(71) Applicant: **SHENZHEN THOUSANDSHORES TECHNOLOGY CO., LTD.**, Shenzhen (CN)  
(72) Inventors: **Ding He**, Shenzhen (CN); **Zhi Liu**, Shenzhen (CN); **Jinying Zhao**, Shenzhen (CN); **Hailong Zhou**, Shenzhen (CN)

(\*\*) Term: **15 Years**

(21) Appl. No.: **29/761,731**

(22) Filed: **Dec. 11, 2020**

(51) **LOC (13) Cl.** ..... **14-01**

(52) **U.S. Cl.**  
USPC ..... **D14/205**

(58) **Field of Classification Search**  
USPC ..... D14/205, 188, 192; D29/112; 2/209; 381/380, 381, 374, 74; 455/90.3, 575.1, 455/569.1  
CPC .... H04R 25/00; H04R 1/1066; H04R 1/1016; H04R 5/033; H04R 1/105; H04R 1/1083; H04R 1/1091  
See application file for complete search history.

(56) **References Cited**

**U.S. PATENT DOCUMENTS**

2,149,341 A \* 3/1939 Harrison ..... H04R 1/1066 381/379  
3,810,525 A \* 5/1974 Crenna ..... H04R 1/1008 181/129  
D254,616 S \* 4/1980 Tabata ..... D14/205  
D270,634 S \* 9/1983 Ungar ..... D14/205  
D274,516 S \* 7/1984 Walker, Jr. .... D14/249  
D291,690 S \* 9/1987 Tabachnik ..... D14/205  
D299,454 S \* 1/1989 Kwong ..... D14/205  
D300,528 S \* 4/1989 Drane ..... D13/171

4,821,318 A \* 4/1989 Wu ..... H04M 1/05 379/430  
D301,145 S \* 5/1989 Besasie ..... D14/205  
D313,092 S \* 12/1990 Nilsson ..... D14/205  
D317,767 S \* 6/1991 Banks ..... D14/205  
5,406,037 A \* 4/1995 Nageno ..... H04R 5/0335 181/129  
5,574,795 A \* 11/1996 Seki ..... H04R 5/0335 381/370  
D407,985 S \* 4/1999 Pimentel ..... D10/104.2  
6,449,806 B1 \* 9/2002 Engelhard ..... H04M 1/05 2/209  
D469,411 S \* 1/2003 Decosse ..... D13/171  
D481,709 S \* 11/2003 Solderits ..... D14/223  
D484,485 S \* 12/2003 Matsuoka ..... D14/205  
D504,414 S \* 4/2005 Yoshida ..... D14/192  
D518,474 S \* 4/2006 Suzuki ..... D14/205

(Continued)

**FOREIGN PATENT DOCUMENTS**

EM 008319404-0001 \* 12/2020  
EM 008483408-0001 \* 4/2021  
GB 9008319404-0001 \* 12/2020

*Primary Examiner* — Paula Allen Greene

(57) **CLAIM**

The ornamental design for a kid wireless headphones, as shown and described.

**DESCRIPTION**

FIG. 1 is a perspective view of a kid wireless headphones showing my new design;  
FIG. 2 is a front view thereof;  
FIG. 3 is a rear view thereof;  
FIG. 4 is a left side view thereof;  
FIG. 5 is a right side view thereof;  
FIG. 6 is a top plan view thereof; and,  
FIG. 7 is a bottom plan view thereof.  
The broken lines in the figures illustrate portions of the kid wireless headphones that form no part of the claimed design.

**1 Claim, 6 Drawing Sheets**



(56)

## References Cited

## U.S. PATENT DOCUMENTS

D519,497 S \* 4/2006 Komiyama ..... D14/223  
D560,654 S \* 1/2008 Feng ..... D14/205  
D582,890 S \* 12/2008 Koza ..... D14/205  
D637,176 S \* 5/2011 Brunner ..... D14/205  
D657,345 S \* 4/2012 Brunner ..... H04R 1/1008  
D14/205  
D658,156 S \* 4/2012 Olodort ..... D14/205  
D661,685 S \* 6/2012 Lee ..... D14/205  
D668,633 S \* 10/2012 Enquist ..... D14/205  
D683,329 S \* 5/2013 Hagelin ..... D14/205  
D688,648 S \* 8/2013 Li ..... D14/205  
8,646,466 B2 \* 2/2014 Howard ..... A45D 8/36  
132/275  
D700,590 S \* 3/2014 Heath ..... D14/205  
D722,590 S \* 2/2015 Lu ..... D14/205  
D733,090 S \* 6/2015 Petersen ..... D14/205  
D758,991 S \* 6/2016 Petersen ..... D14/205  
D763,226 S \* 8/2016 Petersen ..... D14/205  
D780,156 S \* 2/2017 Petersen ..... D14/205  
D790,504 S \* 6/2017 Tam ..... D14/205  
D795,218 S \* 8/2017 Ohmachi ..... D14/205  
D796,478 S \* 9/2017 Minn ..... D14/205  
D830,330 S \* 10/2018 Petersen ..... D14/205  
D837,763 S \* 1/2019 Suzuki ..... D14/205  
D842,270 S \* 3/2019 Chen ..... D14/205  
D849,712 S \* 5/2019 Billaudet ..... D14/205  
D857,652 S \* 8/2019 Wang ..... D14/205  
D864,896 S \* 10/2019 Zhang ..... D14/205  
D874,430 S \* 2/2020 Liu ..... D14/205  
D886,078 S \* 6/2020 He ..... D14/206  
D896,782 S \* 9/2020 Li ..... D14/206  
2016/0198250 A1 \* 7/2016 Pan ..... G06F 3/0304  
381/74  
2022/0014837 A1 \* 1/2022 Kikuchi ..... H04R 1/1091

\* cited by examiner

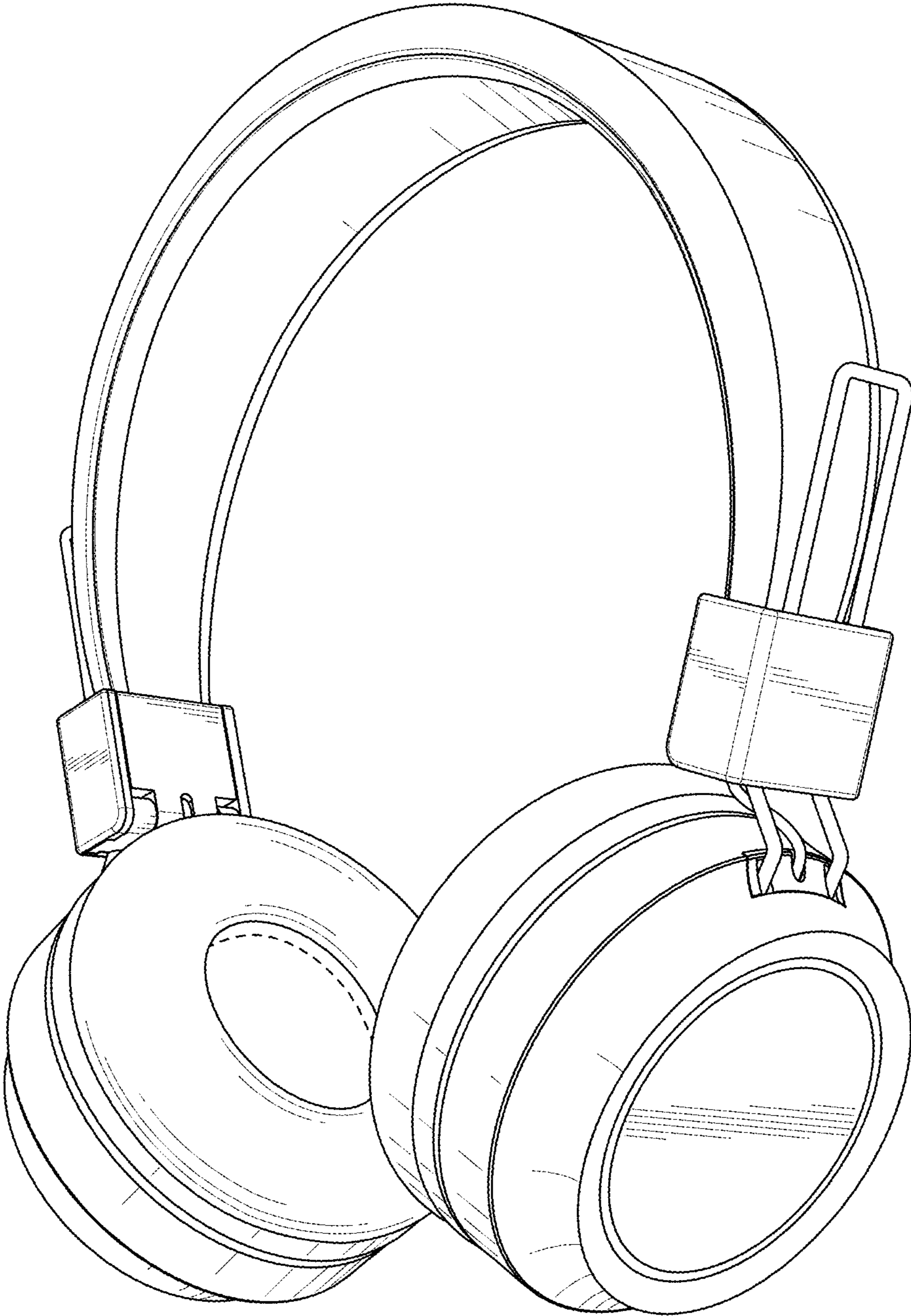


FIG. 1



FIG. 2



FIG. 3

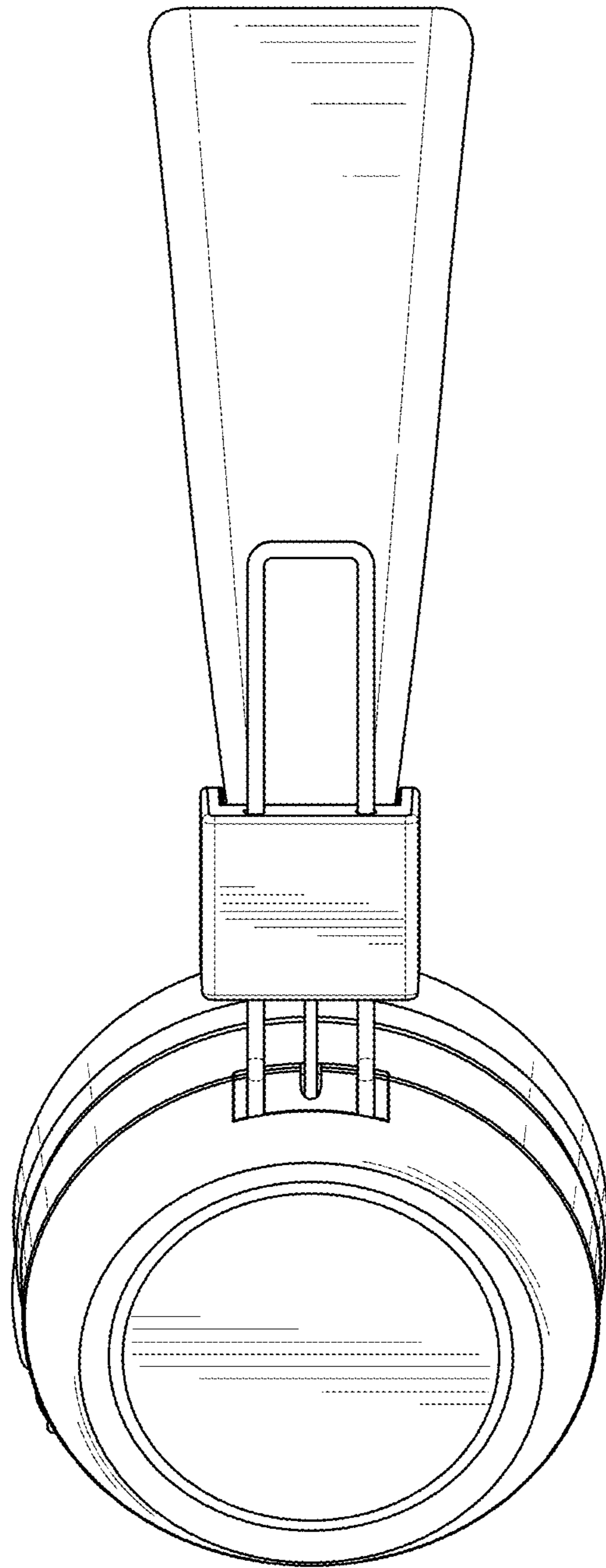


FIG. 4

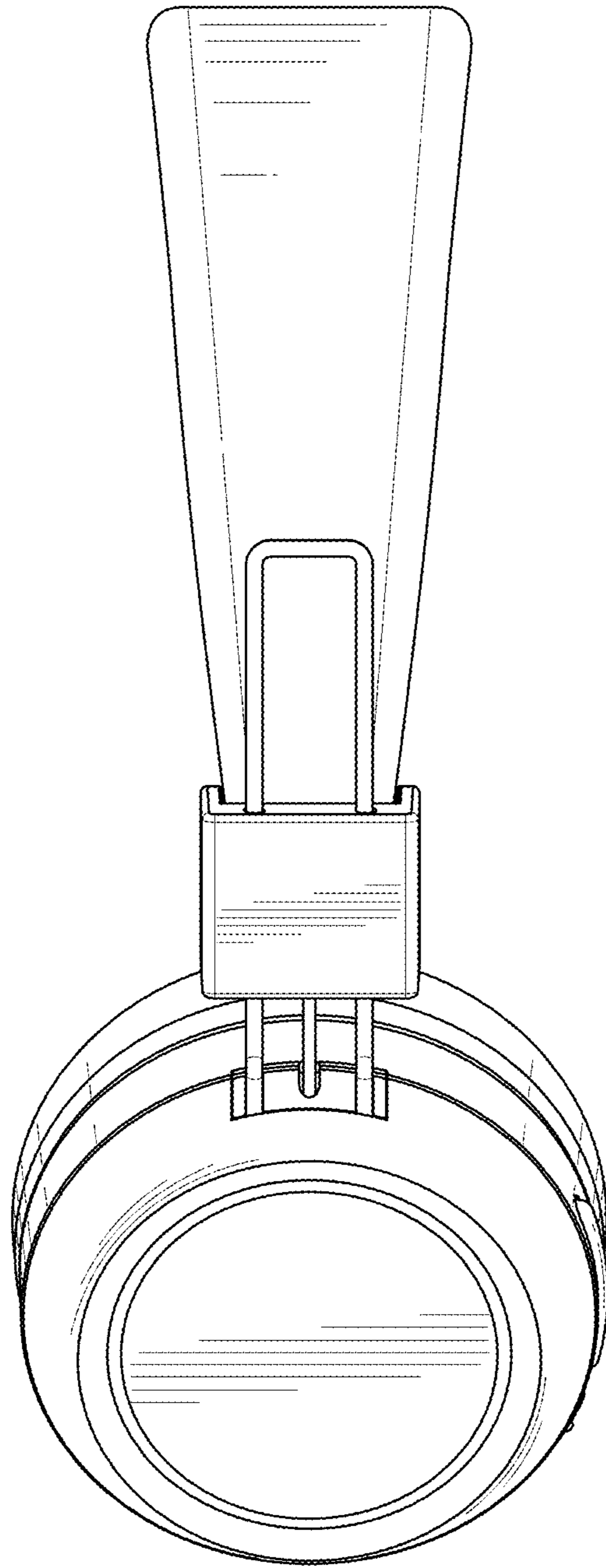


FIG. 5

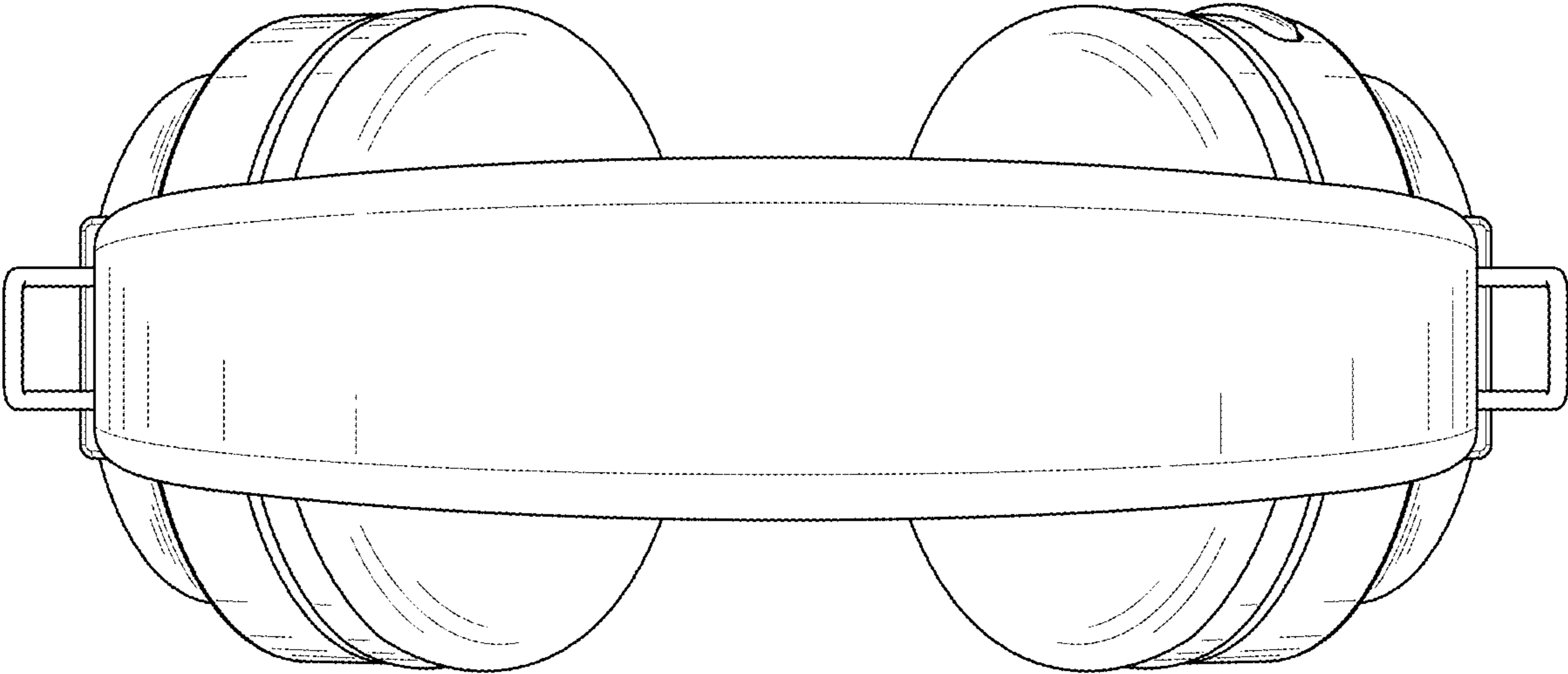


FIG. 6

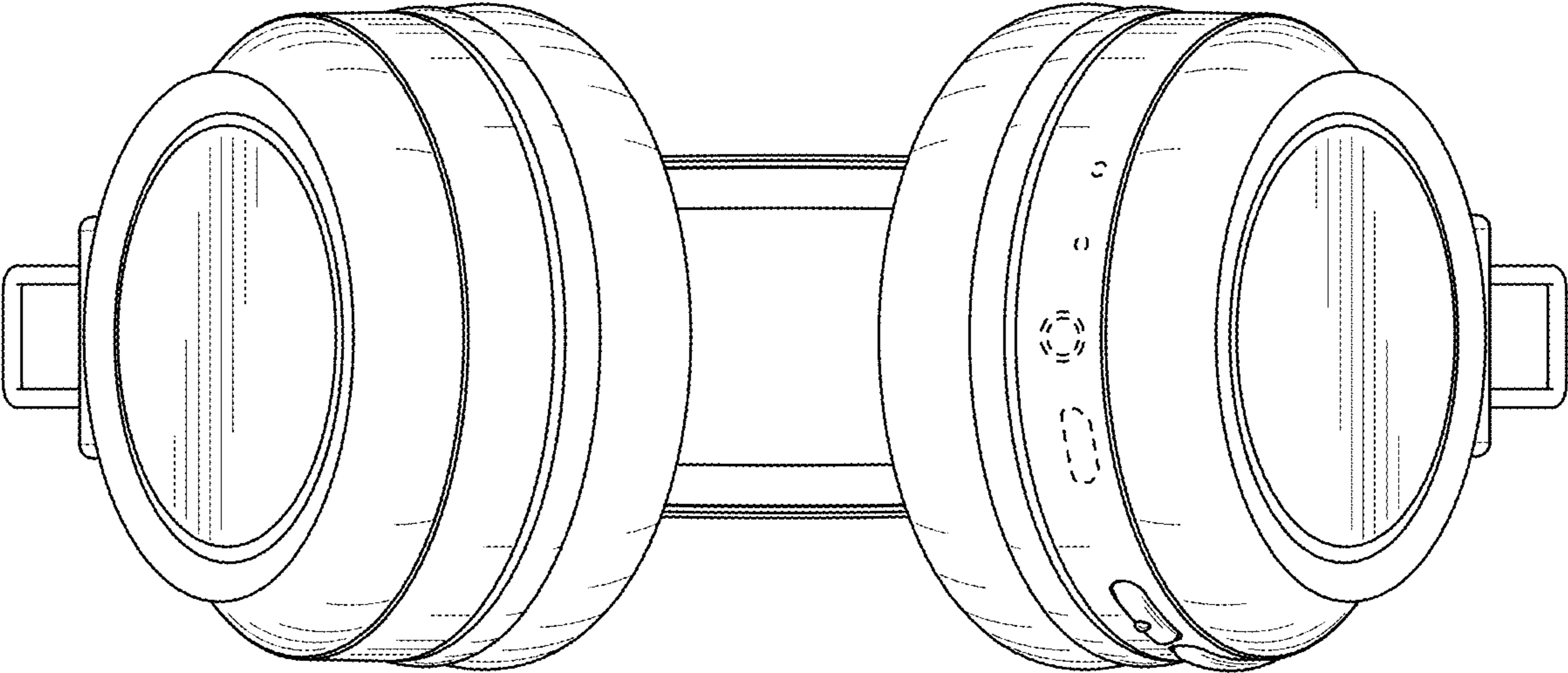


FIG. 7