



US00D954020S

(12) **United States Design Patent**  
**Wan**

(10) **Patent No.:** **US D954,020 S**  
(45) **Date of Patent:** **\*\* Jun. 7, 2022**

- (54) **HEADPHONE**
- (71) Applicant: **Shenzhen Dingchuang Smart Manufacturing Company Limited, Guangdong (CN)**
- (72) Inventor: **Liang Wan, Hanzhong (CN)**
- (73) Assignee: **Shenzhen Dingchuang Smart Manufacturing Company Limited, Guangdong (CN)**
- (\*\*) Term: **15 Years**
- (21) Appl. No.: **29/740,184**
- (22) Filed: **Jul. 1, 2020**
- (51) **LOC (13) Cl.** ..... **14-01**
- (52) **U.S. Cl.**  
USPC ..... **D14/205**
- (58) **Field of Classification Search**  
USPC ..... D14/205, 188, 192; D21/483; D29/112;  
2/209; 381/380, 381, 378-379;  
455/90.3, 575.1, 569.1  
CPC ..... H04R 25/00; H04R 25/02; H04R 1/10;  
H04R 5/033; H04R 5/0335; H04R  
1/1016; H04R 1/1066; H04R 1/1091  
See application file for complete search history.

- D637,579 S \* 5/2011 Hamaura ..... D14/205
- D639,775 S \* 6/2011 Horibe ..... D14/205
- D677,243 S \* 3/2013 Kitayama ..... D14/205
- D706,240 S \* 6/2014 Szymanski ..... H04R 1/1066  
D14/205
- D706,241 S \* 6/2014 Szymanski ..... H04R 1/1066  
D14/205
- D708,164 S \* 7/2014 Ishikura ..... D14/205
- D721,052 S \* 1/2015 Carr ..... D14/205
- D722,998 S \* 2/2015 Sancho ..... D14/205
- D726,174 S \* 4/2015 Wahlin ..... D14/250
- D727,280 S \* 4/2015 Levine ..... D14/205
- D727,281 S \* 4/2015 Levine ..... D14/205
- D728,512 S \* 5/2015 Nakagawa ..... D14/205
- D729,194 S \* 5/2015 Boeckel ..... D14/205
- D733,090 S \* 6/2015 Petersen ..... D14/205

(Continued)

**FOREIGN PATENT DOCUMENTS**

HK 1802329-0001 \* 11/2018

*Primary Examiner* — Paula Allen Greene

(74) *Attorney, Agent, or Firm* — ScienBiziP, P.C.

(57) **CLAIM**

The ornamental design for a headphone, as shown and described.

**DESCRIPTION**

FIG. 1 is a front, right and top perspective view of a headphone, showing my design.

FIG. 2 is a front, right and bottom perspective view thereof.

FIG. 3 is a front elevation view thereof.

FIG. 4 is a rear elevation view thereof.

FIG. 5 is a left side elevation view thereof.

FIG. 6 is a right side elevation view thereof.

FIG. 7 is a top plan view thereof; and,

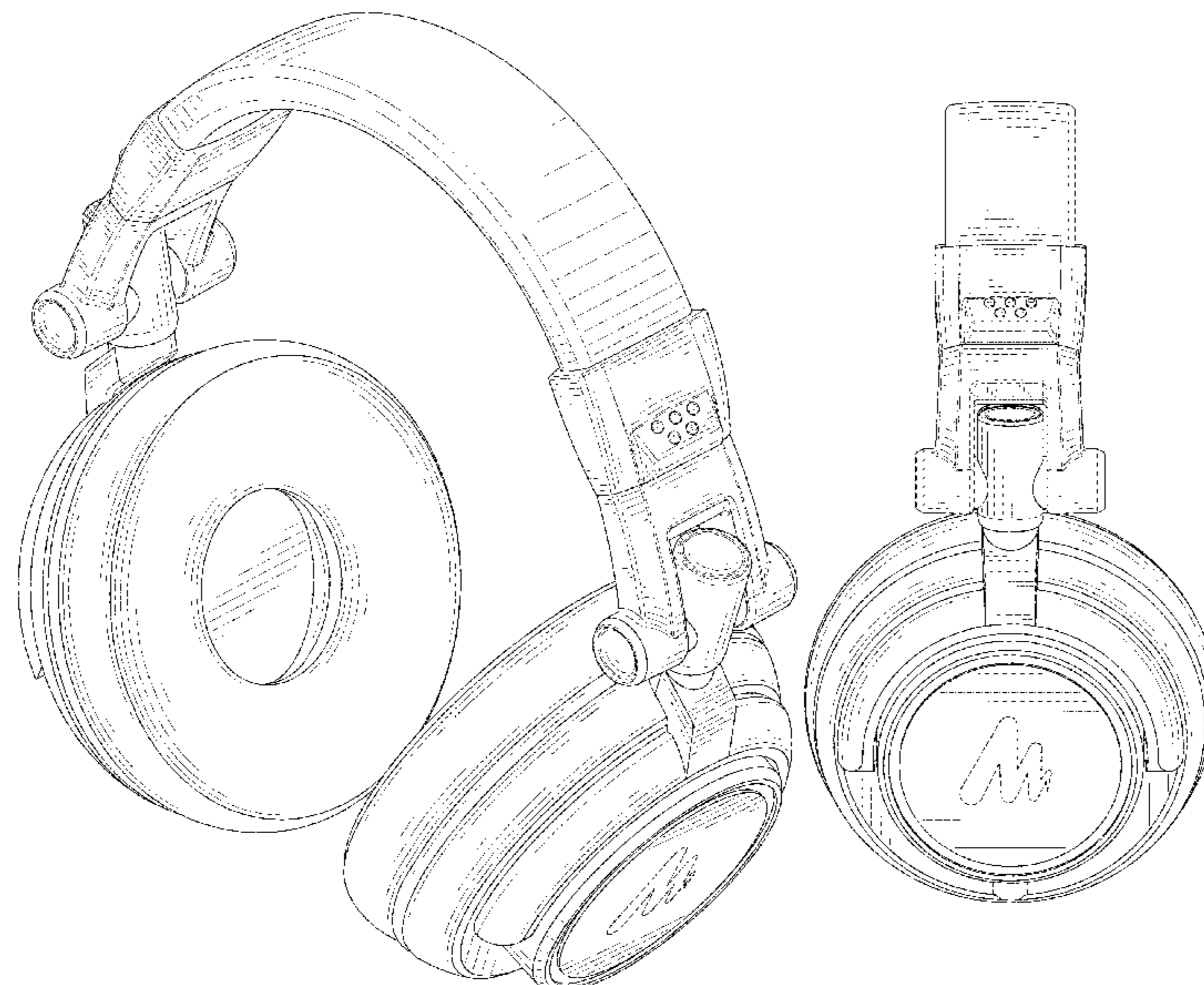
FIG. 8 is a bottom plan view thereof.

The broken lines depict portions of the headphone that form no part of the claimed design.

**1 Claim, 8 Drawing Sheets**

(56) **References Cited**  
U.S. PATENT DOCUMENTS

- D369,604 S \* 5/1996 Morimiya ..... D14/205
- D391,573 S \* 3/1998 Nakamura ..... D14/205
- 5,862,241 A \* 1/1999 Nelson ..... H04R 1/1066  
381/374
- D431,550 S \* 10/2000 Yoneda ..... D14/205
- 7,457,649 B1 \* 11/2008 Wilson ..... H04R 1/1025  
381/374
- D585,871 S \* 2/2009 Lee ..... D14/205
- D585,872 S \* 2/2009 Lee ..... D14/205
- D594,847 S \* 6/2009 Suzuki ..... D14/205



(56)

References Cited

U.S. PATENT DOCUMENTS

D733,092 S *	6/2015	Gan	.....	D14/205	D832,811 S *	11/2018	Levine	.....	D14/205
D736,174 S *	8/2015	Levine	.....	D14/205	D849,713 S *	5/2019	Hänggi	.....	D14/205
D736,175 S *	8/2015	Levine	.....	D14/205	D851,627 S *	6/2019	ter Laag	.....	D14/205
D739,842 S *	9/2015	Birger	.....	D14/205	D852,163 S *	6/2019	Nagamine	.....	D14/205
D741,842 S *	10/2015	Levine	.....	D14/226	D852,166 S *	6/2019	Levine	.....	D14/205
D761,761 S *	7/2016	Ando	.....	D14/205	D857,654 S *	8/2019	Levine	.....	D14/205
D762,190 S *	7/2016	Levine	.....	D14/205	D858,481 S *	9/2019	Saule	.....	D14/205
D762,191 S *	7/2016	Levine	.....	D14/205	D858,483 S *	9/2019	Hu	.....	D14/205
D767,531 S *	9/2016	Szymanski	.....	D14/205	D859,353 S *	9/2019	Wagner	.....	D14/205
D772,841 S *	11/2016	Levine	.....	D14/205	D859,354 S *	9/2019	Xia	.....	D14/205
D780,155 S *	2/2017	Levine	.....	D14/223	D865,706 S *	11/2019	Li	.....	D14/205
D781,265 S *	3/2017	Levine	.....	D14/205	D878,329 S *	3/2020	Levine	.....	D14/205
D781,814 S *	3/2017	Levine	.....	D14/205	D881,840 S *	4/2020	Chen	.....	D14/205
D794,603 S *	8/2017	Riggs	.....	D14/205	D893,453 S *	8/2020	Levine	.....	D14/205
D800,691 S *	10/2017	Ando	.....	D14/205	D920,283 S *	5/2021	Levine	.....	D14/205
D805,056 S *	12/2017	Levine	.....	D14/205	2014/0363016 A1 *	12/2014	Blonder	.....	H03F 3/181 381/74
D810,055 S *	2/2018	Levine	.....	D14/226	2015/0256918 A1 *	9/2015	Yuen	.....	H04R 1/10 381/378
D811,365 S *	2/2018	Czaniecki	.....	D14/205	2017/0041696 A1 *	2/2017	Levine	.....	H04R 1/1033
D812,588 S *	3/2018	Levine	.....	D14/225	2017/0134845 A1 *	5/2017	Milam	.....	H04R 1/1025
D813,194 S *	3/2018	Loh	.....	D14/205	2017/0339479 A1 *	11/2017	Levine	.....	H04R 1/1016
D820,810 S *	6/2018	Levine	.....	D14/205	2018/0020277 A1 *	1/2018	Briggs	.....	H01Q 9/0421
D826,208 S *	8/2018	Czaniecki	.....	D14/205	2018/0020278 A1 *	1/2018	Levine	.....	H04R 1/1066
					2019/0387303 A1 *	12/2019	Levine	.....	H04R 1/1033

\* cited by examiner



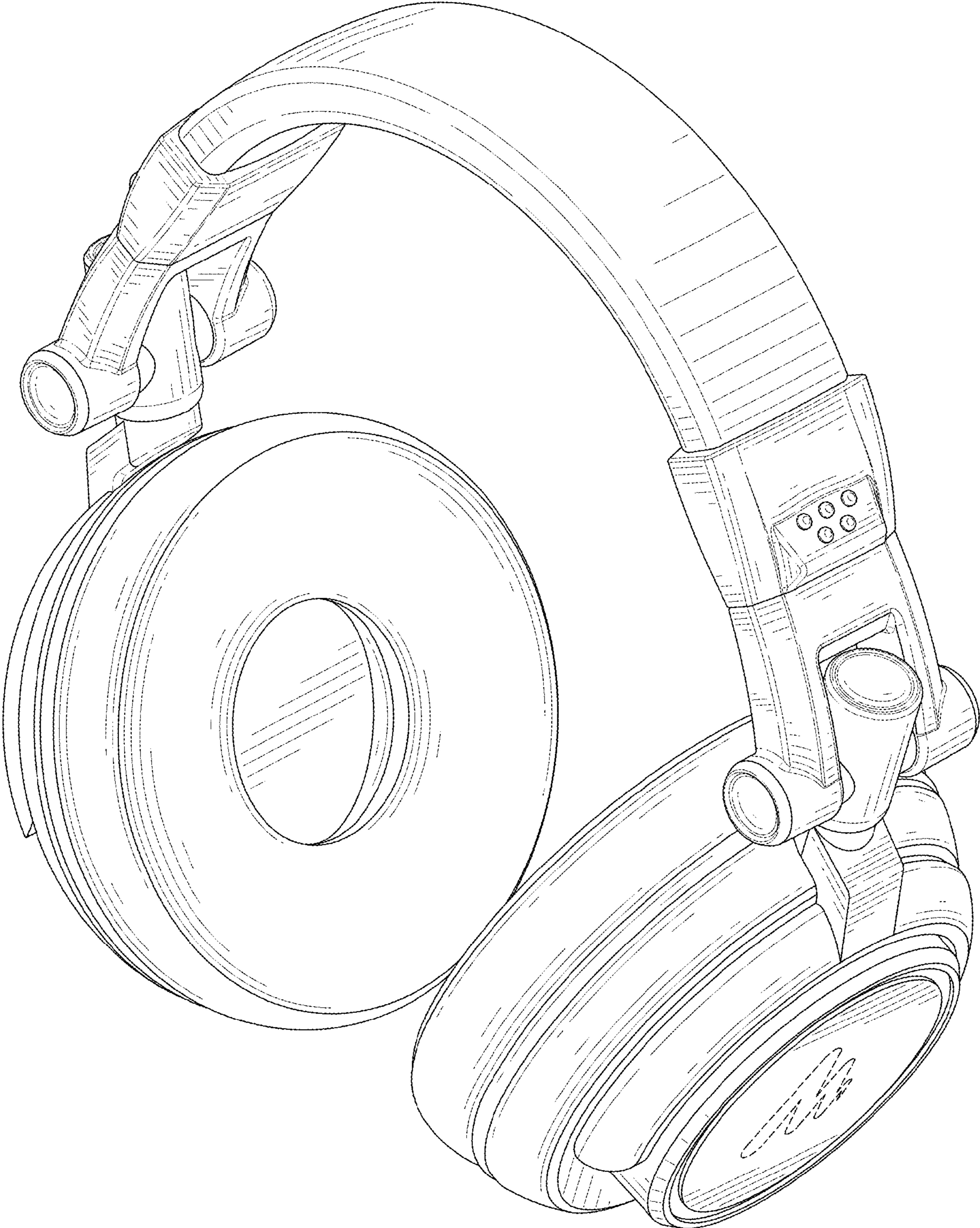


FIG. 1



FIG. 2





FIG. 3



FIG. 4

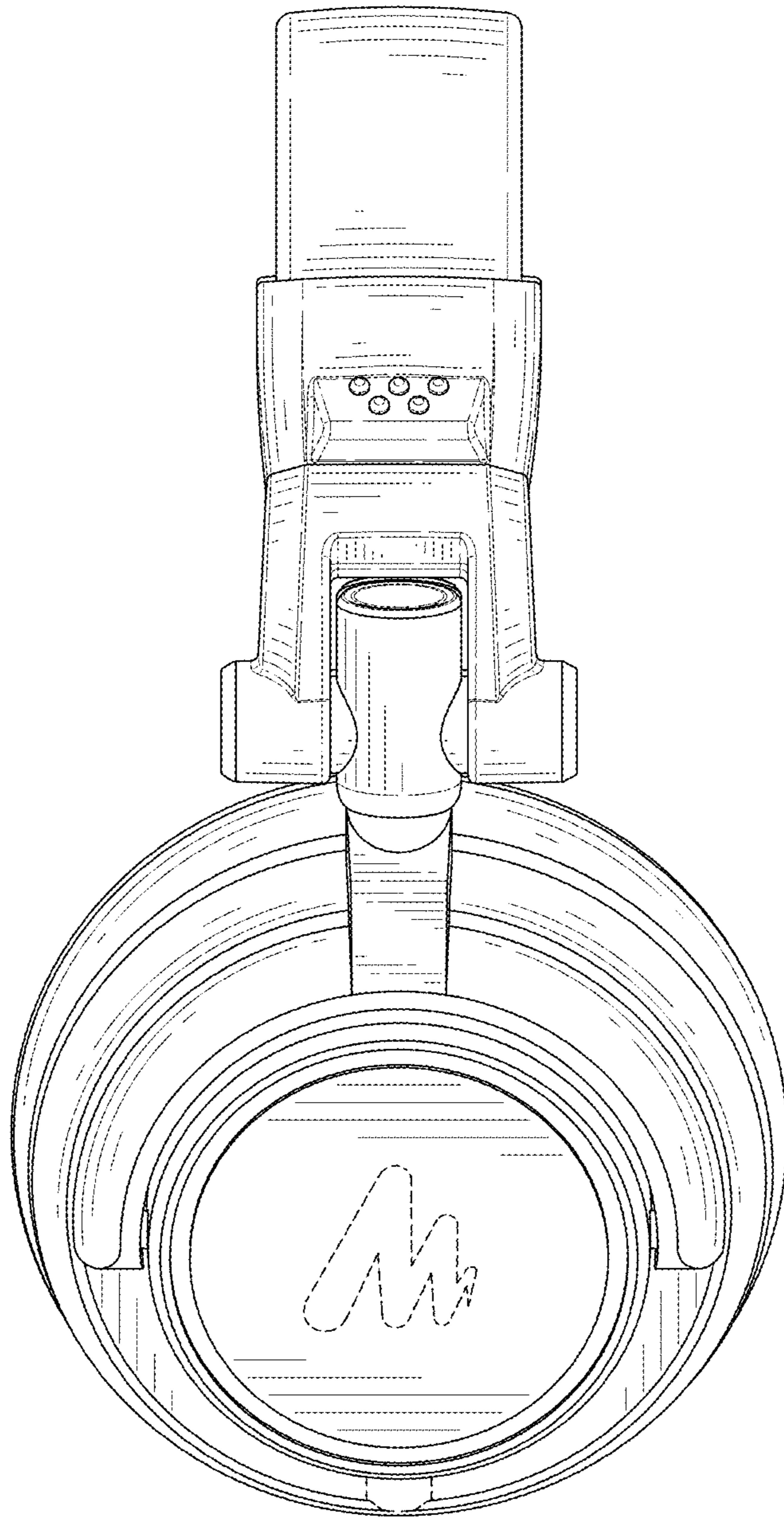


FIG. 5



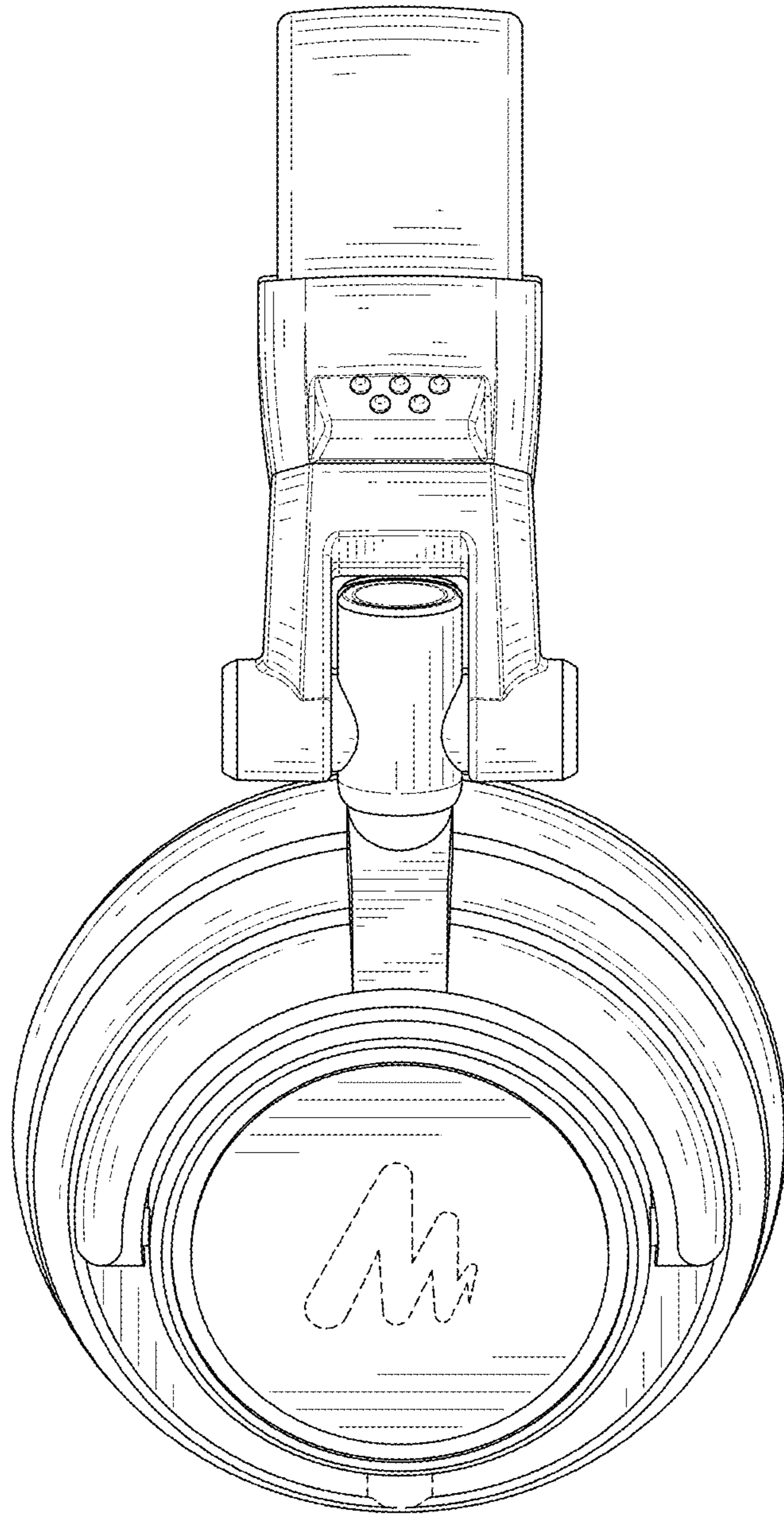


FIG. 6



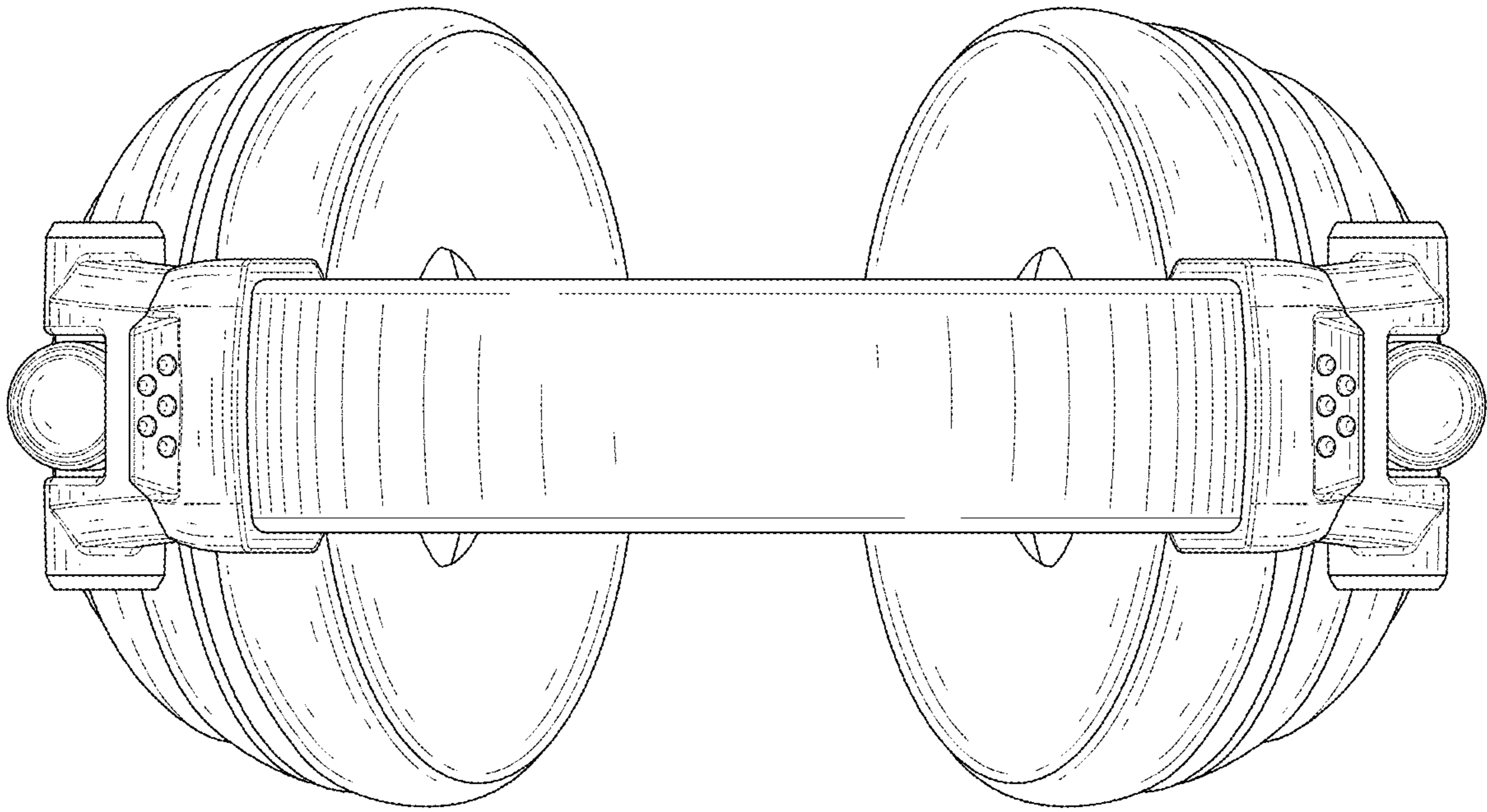


FIG. 7

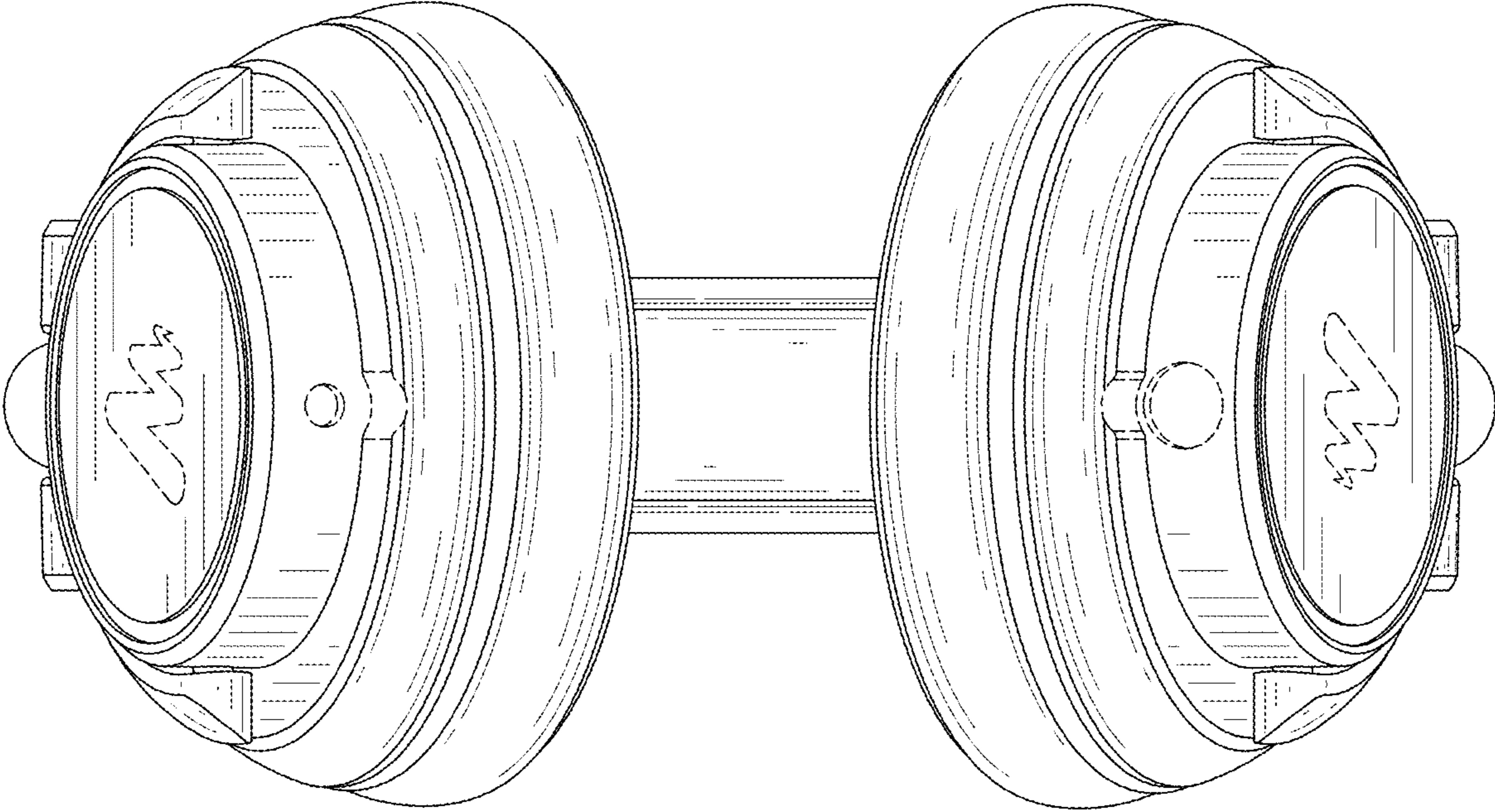


FIG. 8