



US00D954019S

(12) **United States Design Patent**
Shyu et al.

(10) **Patent No.:** **US D954,019 S**
(45) **Date of Patent:** **** Jun. 7, 2022**

(54) **HEADPHONE**
(71) Applicant: **Sonos, Inc.**, Santa Barbara, CA (US)
(72) Inventors: **Vincent Shyu**, Santa Barbara, CA (US);
Aki Laine, Santa Barbara, CA (US);
Dana Krieger, Santa Barbara, CA
(US); **Philippe Vossel**, Wuppertal (DE)

3,220,505 A * 11/1965 Hargrave H04M 1/05
181/129
3,454,964 A * 7/1969 Brinkhoff A61F 11/14
2/209
3,596,733 A * 8/1971 Bertagni H04R 7/04
381/431
D235,210 S * 5/1975 Hill D14/205
(Continued)

(73) Assignee: **Sonos, Inc.**, Santa Barbara, CA (US)

(**) Term: **15 Years**

FOREIGN PATENT DOCUMENTS
EM 008306104-0001 12/2020
EM 008306104-0002 12/2020
(Continued)

(21) Appl. No.: **29/737,182**

(22) Filed: **Jun. 5, 2020**

(51) **LOC (13) Cl.** **14-01**

(52) **U.S. Cl.**
USPC **D14/205**

(58) **Field of Classification Search**
USPC D14/205, 188, 192; D29/112; D28/41;
132/273-275; 381/380, 381, 370, 374;
455/90.3, 575.1, 569.1
CPC H04R 25/00; H04R 25/02; H04R 1/1066;
H04R 1/1016; H04R 5/033; H04R
5/0335; H04R 1/08; H04R 19/04; H04R
11/04; H04R 1/1083; H04R 1/105

See application file for complete search history.

OTHER PUBLICATIONS
Ali, "B&O Beoplay H8i review", techradar, Apr. 23, 2018, retrieved
from <https://www.techradar.com/reviews/bando-beoplay-h8i> on Aug.
20, 2020, 21 pgs.
(Continued)

Primary Examiner — Paula Allen Greene
(74) *Attorney, Agent, or Firm* — KPPB LLP

(57) **CLAIM**
The ornamental design for a headphone, as shown and
described.

(56) **References Cited**

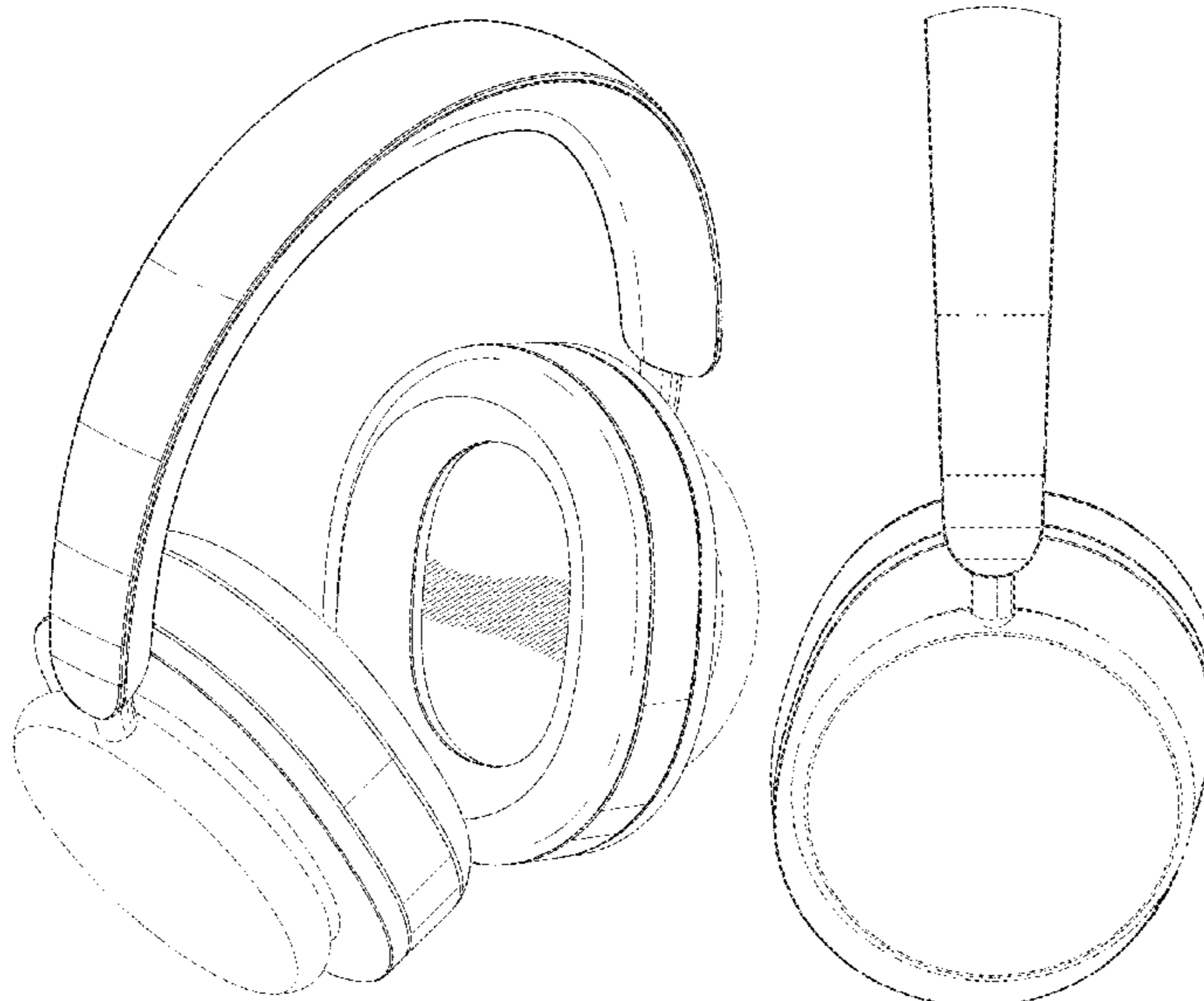
U.S. PATENT DOCUMENTS

1,615,028 A * 1/1927 Morser H04M 1/19
381/371
1,648,832 A * 11/1927 Urban H04R 1/1008
181/129
2,420,245 A * 5/1947 Hurst A61F 11/06
2/209
2,782,423 A * 2/1957 Simon A61F 11/14
2/209
3,051,961 A * 9/1962 Clark A61F 11/14
2/209

DESCRIPTION

FIG. 1 is a perspective view of a headphone.
FIG. 2 is a second perspective view thereof.
FIG. 3 is a front elevation view thereof.
FIG. 4 is a rear elevation view thereof.
FIG. 5 is a left side elevation view thereof.
FIG. 6 is a right side elevation view thereof.
FIG. 7 is a top plan view thereof; and,
FIG. 8 is a bottom plan view thereof.
The broken lines depict portions of the headphone that form
no part of the claimed design.

1 Claim, 7 Drawing Sheets



(56)

References Cited

U.S. PATENT DOCUMENTS

D254,616 S * 4/1980 Tabata D14/205
 4,385,209 A * 5/1983 Greason H04R 19/016
 307/400
 4,465,159 A * 8/1984 Stallings A61F 11/14
 181/129
 D276,855 S * 12/1984 Falco D29/112
 D313,092 S * 12/1990 Nilsson D14/205
 5,018,599 A * 5/1991 Dohi H04R 1/1008
 181/129
 5,035,005 A * 7/1991 Hung H04R 1/1066
 2/209
 5,144,678 A * 9/1992 Lenz H04R 1/1041
 381/371
 5,293,647 A * 3/1994 Mirmilshiteyn H04R 1/10
 2/209
 5,384,857 A * 1/1995 Nordin A61F 11/14
 381/374
 5,500,958 A * 3/1996 Falco A61F 11/14
 2/209
 5,640,458 A * 6/1997 Nishiguchi H04R 5/033
 381/74
 D385,665 S * 10/1997 Westerdal D29/112
 5,996,123 A * 12/1999 Leight A61F 11/14
 2/209
 D431,550 S * 10/2000 Yoneda D14/205
 6,236,969 B1 5/2001 Ruppert et al.
 6,449,806 B1 * 9/2002 Engelhard H04M 1/05
 2/209
 D505,411 S * 5/2005 Sakai D14/192
 6,993,143 B2 * 1/2006 Harris H04R 1/1066
 381/374
 D538,261 S * 3/2007 Taylor D14/205
 D582,890 S * 12/2008 Koza D14/205
 D603,370 S * 11/2009 Suzuki D14/205
 D633,895 S * 3/2011 Morimoto D14/205
 D657,344 S * 4/2012 Brunner D14/205
 D657,345 S * 4/2012 Brunner H04R 1/1008
 D14/205
 8,234,395 B2 7/2012 Millington
 D668,633 S * 10/2012 Enquist D14/205
 8,295,529 B2 * 10/2012 Petersen H04R 1/083
 381/374
 D678,859 S * 3/2013 Lee D14/205
 D683,329 S * 5/2013 Hagelin D14/205
 D684,141 S * 6/2013 Takamoto D14/205
 8,483,853 B1 7/2013 Lambourne
 D691,583 S * 10/2013 Kitayama D14/205
 8,755,555 B2 * 6/2014 Dougherty H04R 1/1066
 381/378
 D708,163 S * 7/2014 Ishikura D14/205
 8,767,996 B1 * 7/2014 Lin G06F 3/165
 381/380
 D733,090 S * 6/2015 Petersen D14/205
 9,344,794 B1 * 5/2016 Blonder H04R 1/1066
 D763,226 S * 8/2016 Petersen D14/205
 D787,470 S * 5/2017 Kelly D14/205
 D800,691 S * 10/2017 Ando D14/205
 D813,837 S * 3/2018 Paterson D14/205
 D826,894 S * 8/2018 Zhang D14/205
 D830,333 S * 10/2018 Carr D14/205
 D830,334 S * 10/2018 Carr D14/205
 D837,763 S * 1/2019 Suzuki D14/205
 D838,687 S * 1/2019 Wu D14/205
 D840,971 S * 2/2019 Summerson D14/205
 D842,270 S * 3/2019 Chen D14/205
 D851,839 S * 6/2019 Scanlon D29/112
 D857,652 S * 8/2019 Wang D14/205
 D858,481 S * 9/2019 Saule D14/205
 10,405,081 B2 * 9/2019 Hviid H04M 1/6066
 D861,636 S * 10/2019 Carr D14/205
 D872,049 S * 1/2020 Saule D14/205
 D876,388 S * 2/2020 Carr D14/205
 D877,714 S * 3/2020 Dhondt D14/205

D878,327 S * 3/2020 Dhondt D14/205
 10,694,309 B1 * 6/2020 Vautrin H04R 5/02
 D890,123 S * 7/2020 Yoshimura D14/205
 10,757,499 B1 8/2020 Vautrin et al.
 D900,782 S * 11/2020 Vaclavik D14/205
 D902,496 S * 11/2020 Bui D29/112
 D905,005 S * 12/2020 Liu D14/205
 D918,171 S * 5/2021 Nakayama D14/205
 D920,283 S * 5/2021 Levine D14/205
 D928,114 S * 8/2021 Terazaki D14/205
 D934,198 S * 10/2021 Michaelian D14/205
 D938,934 S * 12/2021 Tsubone D14/205
 2002/0159833 A1 10/2002 Nabeshima
 2006/0027245 A1 * 2/2006 Spector A45D 8/36
 132/273
 2009/0041285 A1 * 2/2009 Parkins H04R 3/04
 381/372
 2010/0180754 A1 7/2010 Brown et al.
 2014/0363016 A1 * 12/2014 Blonder H04R 1/1041
 381/74
 2015/0222977 A1 8/2015 Angel, Jr.
 2016/0193085 A1 * 7/2016 Jenkins H04R 1/1083
 381/367
 2016/0210956 A1 * 7/2016 Huang G10K 11/17885
 2017/0192739 A1 7/2017 Gossain et al.
 2017/0230746 A1 * 8/2017 Silvestri H04R 1/288
 2017/0242653 A1 8/2017 Lang et al.
 2018/0069815 A1 3/2018 Fontana et al.
 2018/0107446 A1 4/2018 Wilberding et al.
 2019/0069074 A1 2/2019 Yamkovoy
 2019/0189106 A1 * 6/2019 Hull H04R 1/1008
 2020/0077172 A1 * 3/2020 England H04R 1/288
 2020/0387719 A1 * 12/2020 Jung G06K 9/6215
 2022/0014837 A1 * 1/2022 Kikuchi H04R 1/10

FOREIGN PATENT DOCUMENTS

EM 008306104-0003 12/2020
 EM 008306104-0004 12/2020
 EM 008306104-0005 12/2020
 EM 008306104-0006 12/2020
 EM 008308431-0001 * 12/2020
 EM 008308431-0002 12/2020
 EM 008308431-0003 12/2020
 EM 008308431-0004 * 12/2020
 EM 008308431-0005 12/2020
 EM 008308431-0006 12/2020
 EM 008308431-0007 12/2020
 EM 008308431-0008 12/2020
 EM 008313035-0001 * 12/2020
 EM 008507867-0001 * 4/2021
 GB 9003743228-0001 * 2/2017
 GB 9008057400-0001 * 7/2020
 GB 9008308431-0004 * 12/2020
 IN 334368-001-0001 * 10/2020
 JP 1502702 S 6/2014
 JP 1673628 S 11/2020

OTHER PUBLICATIONS

Bernard, "The Bowers & Wilkins PX headphones offer big sound at a high price", techcrunch, Jan. 22, 2018, retrieved from <https://techcrunch.com/2018/01/22/review-bowers-and-wilkins-px-wireless-headphones/> on Aug. 21, 2020, 13 pgs.
 Bhalla, "Bose Quiet Comfort 35 II Review: Easily The Best Wireless Noise-Cancelling Headphones Yet", mensxp, Jan. 26, 2018, retrieved from <https://www.mensxp.com/technology/reviews/42230-bose-quiet-comfort-35-ii-review-easily-the-best-wireless-noise-cancelling-headphones-yet.html> on Aug. 20, 2020, 24 pgs.
 Carnoy, "Microsoft Surface Headphones: Hands-on with Microsoft's new Bose-buster noise-canceling headphones", cnet, Oct. 2, 2018, retrieved from <https://www.cnet.com/reviews/microsoft-surface-headphones-preview/> on Aug. 20, 2020, 12 pgs.
 Krol, "Beoplay H4 review: Pricey, but you can hear what you pay for", Mashable, Jul. 5, 2018, retrieved from <https://mashable.com/2018/07/05/beoplay-h4-review/> on Aug. 20, 2020, 26 pgs.

(56)

References Cited

OTHER PUBLICATIONS

Savov, "Sony 1000X M3 Review: Supreme Noise Canceling", The Verge, Sep. 11, 2018, retrieved from <https://www.theverge.com/2018/9/11/17844914/sony-1000x-m3-review-noise-canceling-headphones> on Aug. 20, 2020, 11 pgs.

Stark, "Beats' best: Beats Studio 3 Wireless reviewed", pickr, May 31, 2018, retrieved from <https://www.pickr.com.au/reviews/2018/beats-studio-3-wireless-headphones/> on Aug. 20, 2020, 25 pgs.

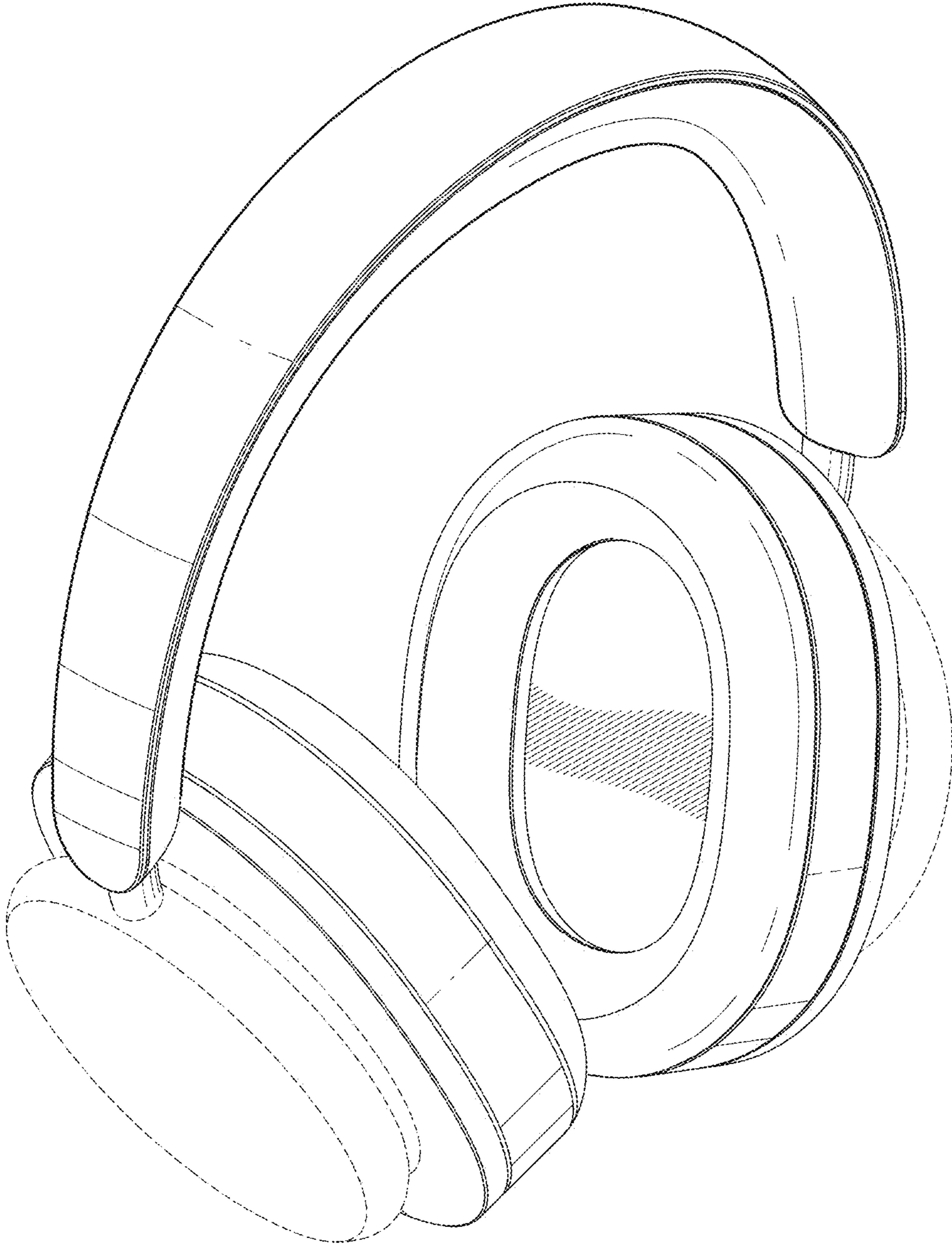
Steele, "B&O Beoplay H8i and H9i headphones review: Diminishing returns", engadget, Apr. 28, 2018, retrieved from <https://www.engadget.com/2018-04-28-bang-olufsen-beoplay-h8i-h9i-headphones-review.html> on Aug. 20, 2020, 25 pgs.

"Get Navi", Gakken Publishing Co., Ltd., HA30004687, Jul. 30, 2018, vol. 20, No. 9, p. 3, 3 pages.

"Premium Headphone Guide Magazine", Ongen Publishing Co., Ltd., RA02005238, May 25, 2020, vol. 14, p. 87, 3 pages.

* cited by examiner

FIG. 1



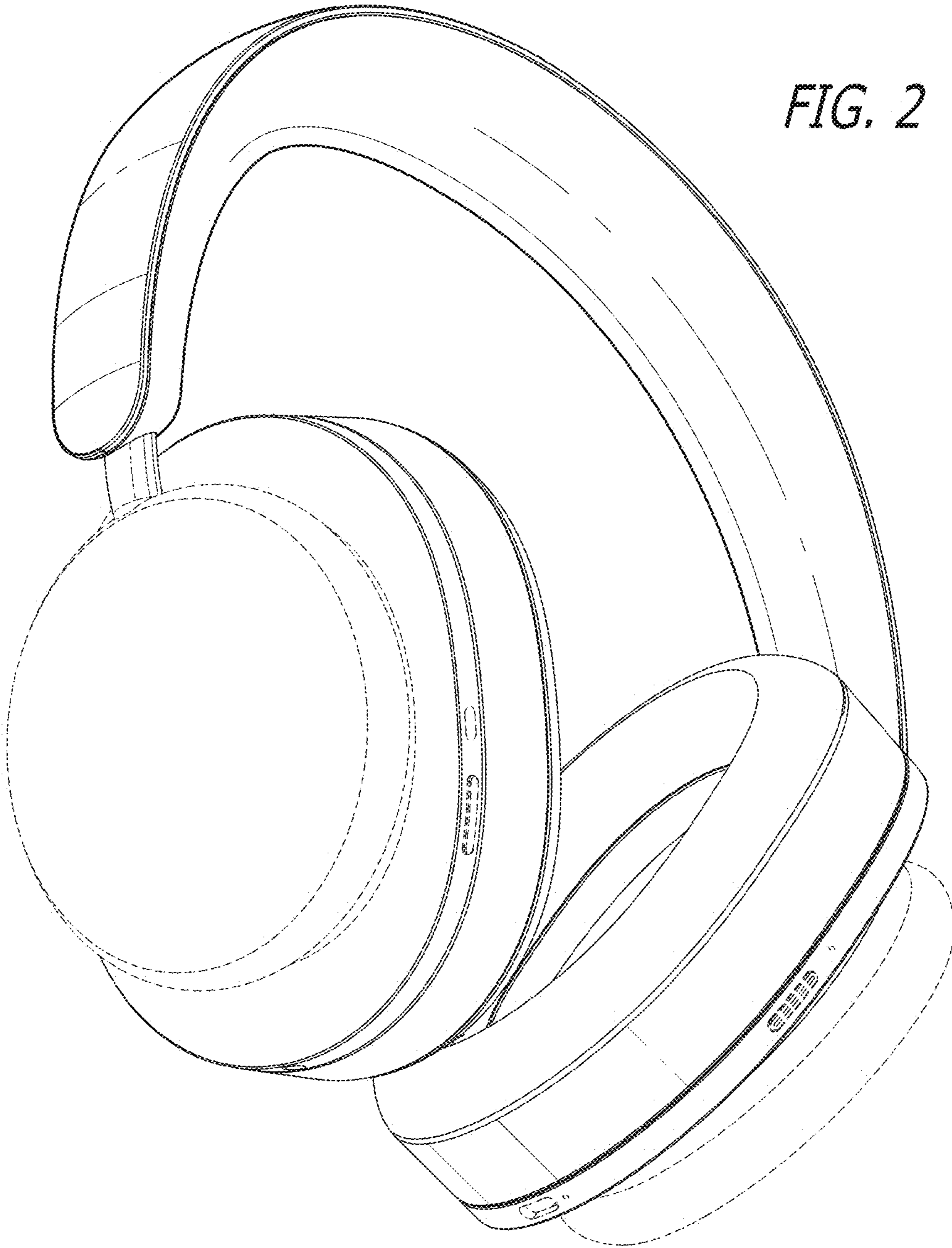


FIG. 2



FIG. 3



FIG. 4

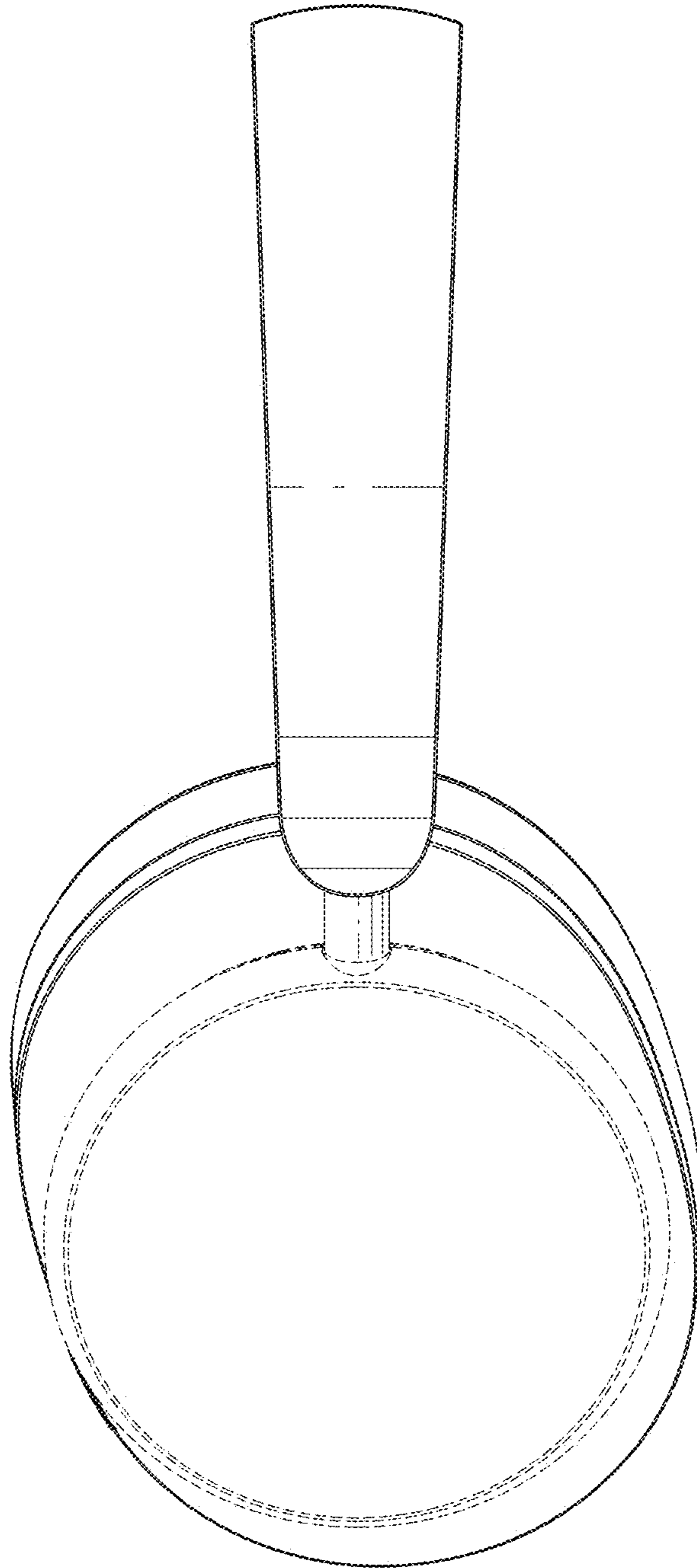
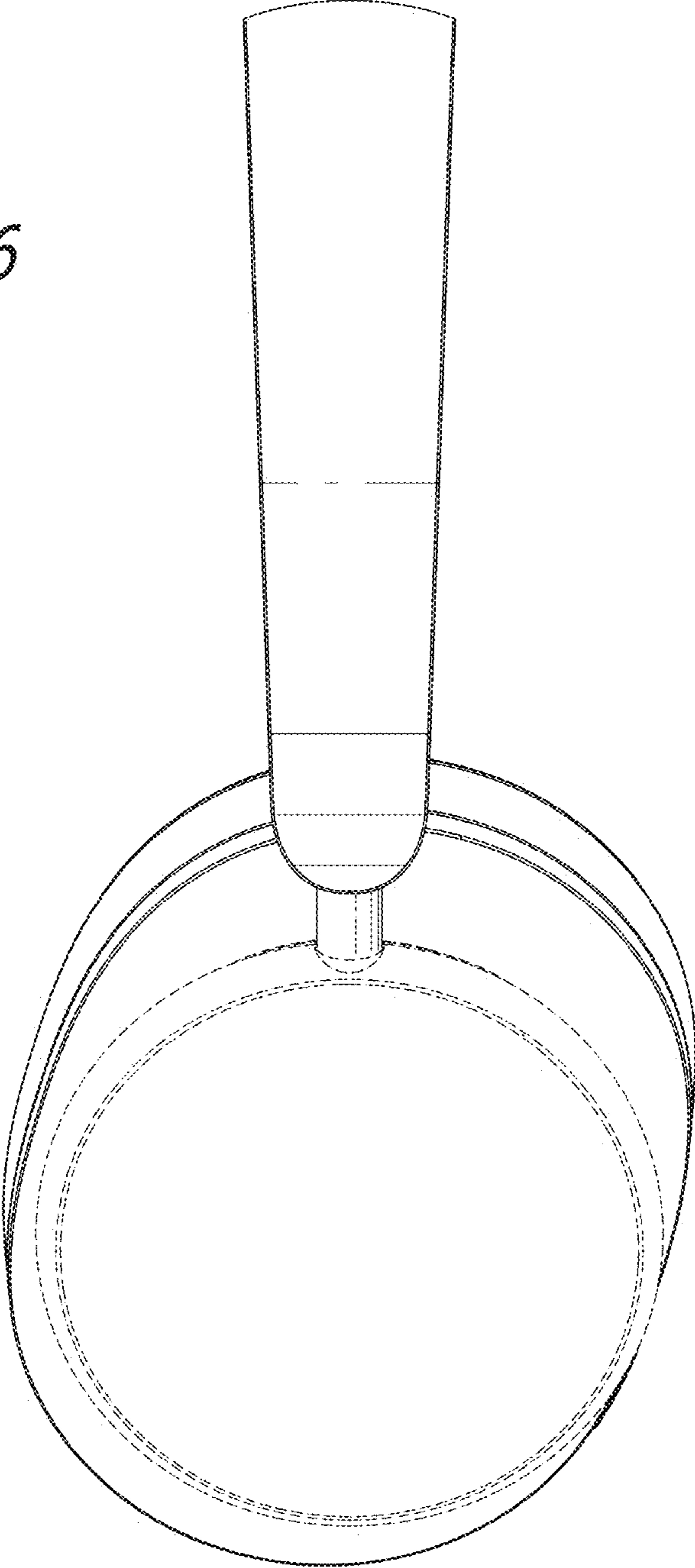


FIG. 5

FIG. 6



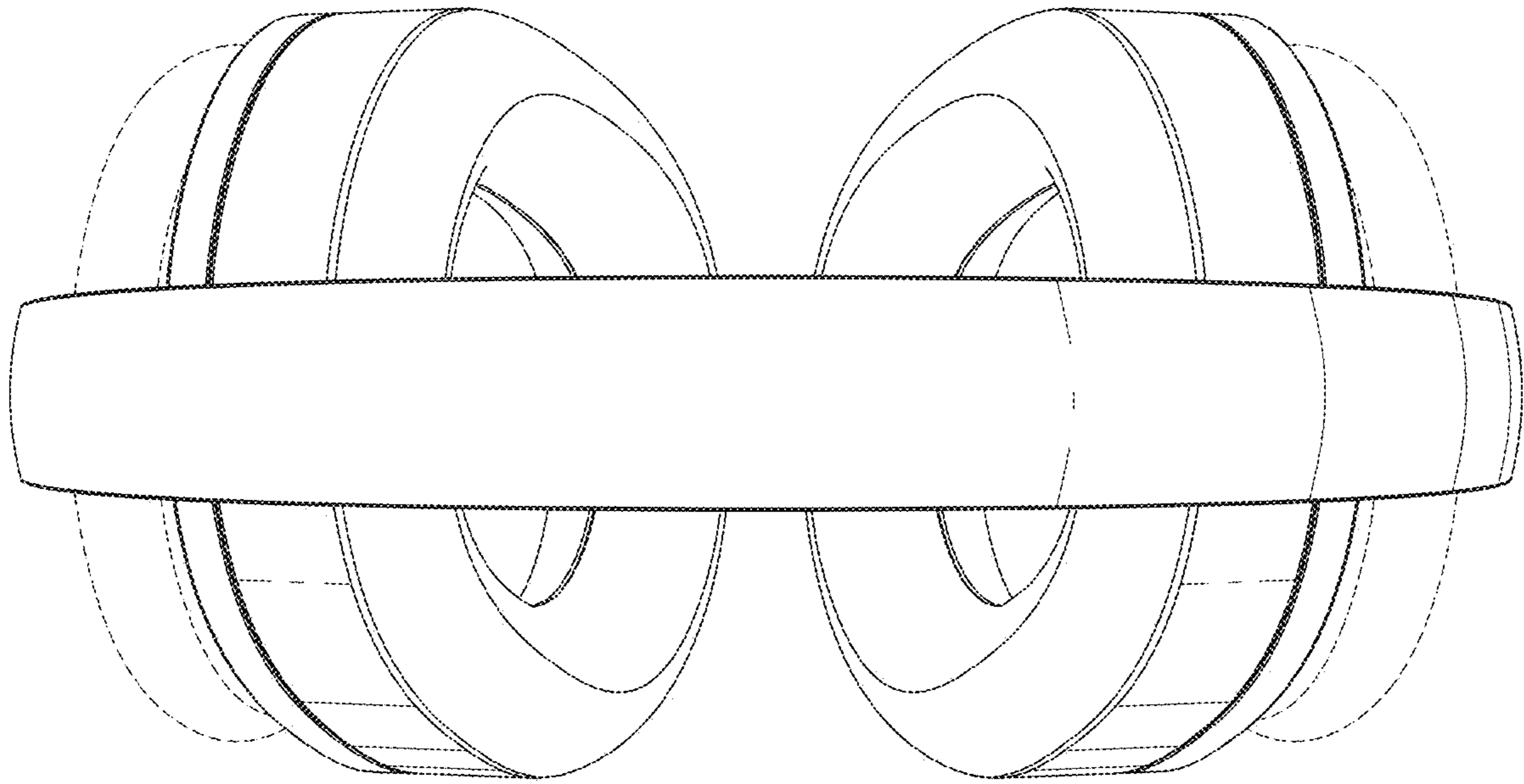


FIG. 7

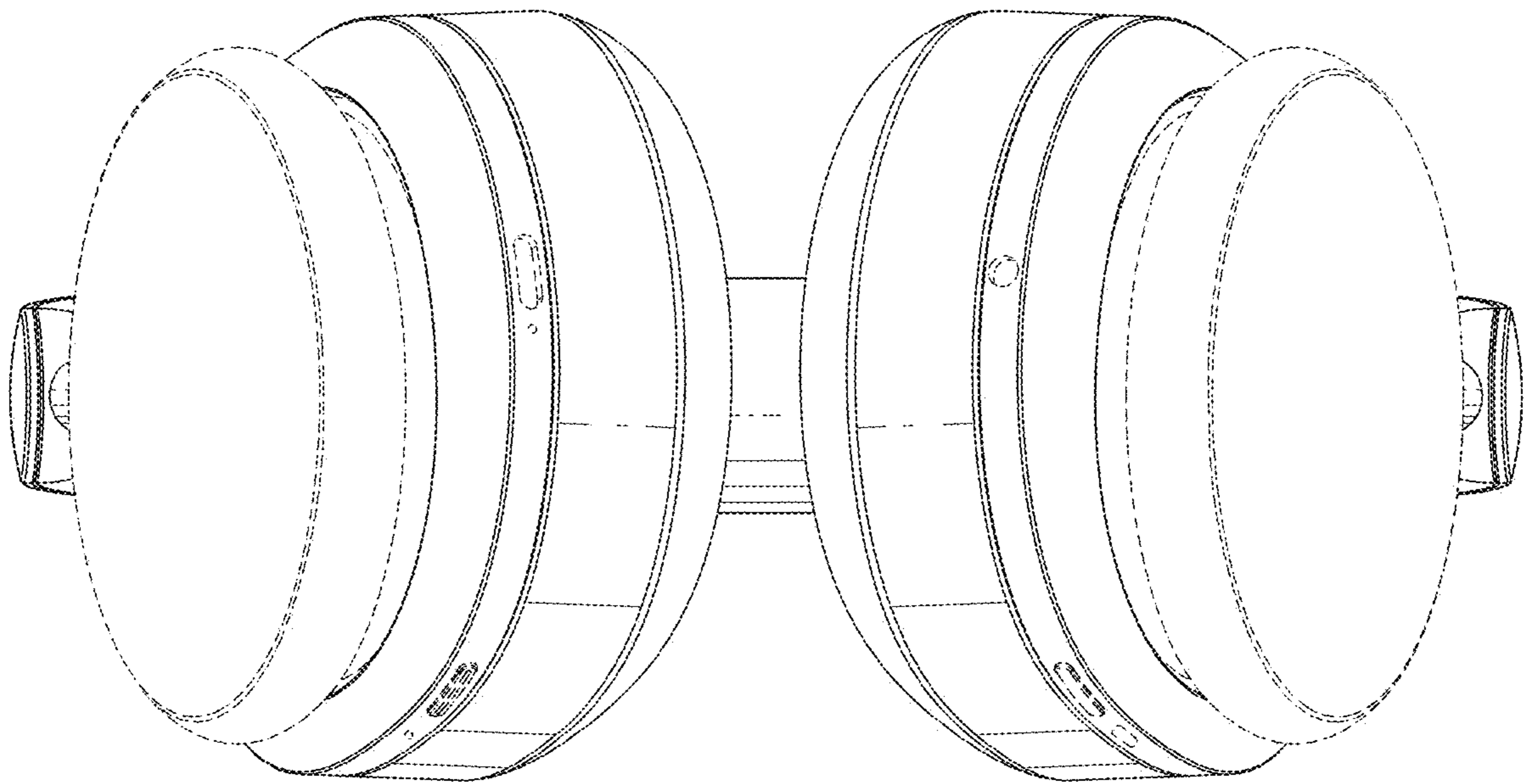


FIG. 8