



US00D954016S

(12) **United States Design Patent**  
**Mitsunaga**

(10) **Patent No.:** **US D954,016 S**  
(45) **Date of Patent:** **\*\* Jun. 7, 2022**

(54) **AMPLIFIER**

FOREIGN PATENT DOCUMENTS

- (71) Applicant: **PIONEER CORPORATION**, Tokyo (JP)
- (72) Inventor: **Naoki Mitsunaga**, Tokyo (JP)
- (73) Assignee: **PIONEER CORPORATION**, Tokyo (JP)

CN	300904365	*	4/2009
CN	305781383	*	5/2020
JP	D 1258868		12/2005
JP	D 1263302		2/2006
JP	D 1307360		8/2007
JP	D 1313209		10/2007
JP	D 1313508		10/2007

(Continued)

(\*\*) Term: **15 Years**

OTHER PUBLICATIONS

(21) Appl. No.: **29/720,521**

M600/6—JL Audio 6, date first available: Mar. 23, 2011, [retrieved Dec. 1, 2021], Retrieved from Internet, URL: <<https://www.amazon.com/M600-Audio-6-Channel-Marine-Amplifier/dp/B005KWG8JO>> (Year: 2011).\*

(22) Filed: **Jan. 14, 2020**

(Continued)

(30) **Foreign Application Priority Data**

Aug. 8, 2019 (JP) ..... 2019-017765

(51) **LOC (13) Cl.** ..... **14-03**

(52) **U.S. Cl.**  
USPC ..... **D14/188**

(58) **Field of Classification Search**  
USPC ..... D14/125–126, 155–159, 160–173,  
D14/187–188, 203.1–203.8, 204–216,  
D14/217–222, 225–229, 445, 496, 500  
CPC ..... H04R 1/02; H04R 1/021; H04R 1/025;  
H04R 1/026; H04R 1/028; H04R 1/06;  
H04R 1/105; H04R 1/323; H04R 1/403;  
H04R 1/2803; H04R 1/2834

See application file for complete search history.

*Primary Examiner* — Barbara Fox

*Assistant Examiner* — Aram Kwon

(74) *Attorney, Agent, or Firm* — Faegre Drinker Biddle & Reath LLP

(56) **References Cited**

U.S. PATENT DOCUMENTS

D563,334 S	*	3/2008	Wang	.....	D14/125
D656,121 S	*	3/2012	Sugita	.....	D14/188
D665,377 S	*	8/2012	Endo	.....	D14/188
D666,166 S	*	8/2012	Harada	.....	D14/188
D685,348 S	*	7/2013	Szymanski	.....	D14/214
D712,869 S	*	9/2014	Muramoto	.....	D14/188
D801,298 S	*	10/2017	Katsuno	.....	D14/157
D813,836 S	*	3/2018	Suzuki	.....	D14/188

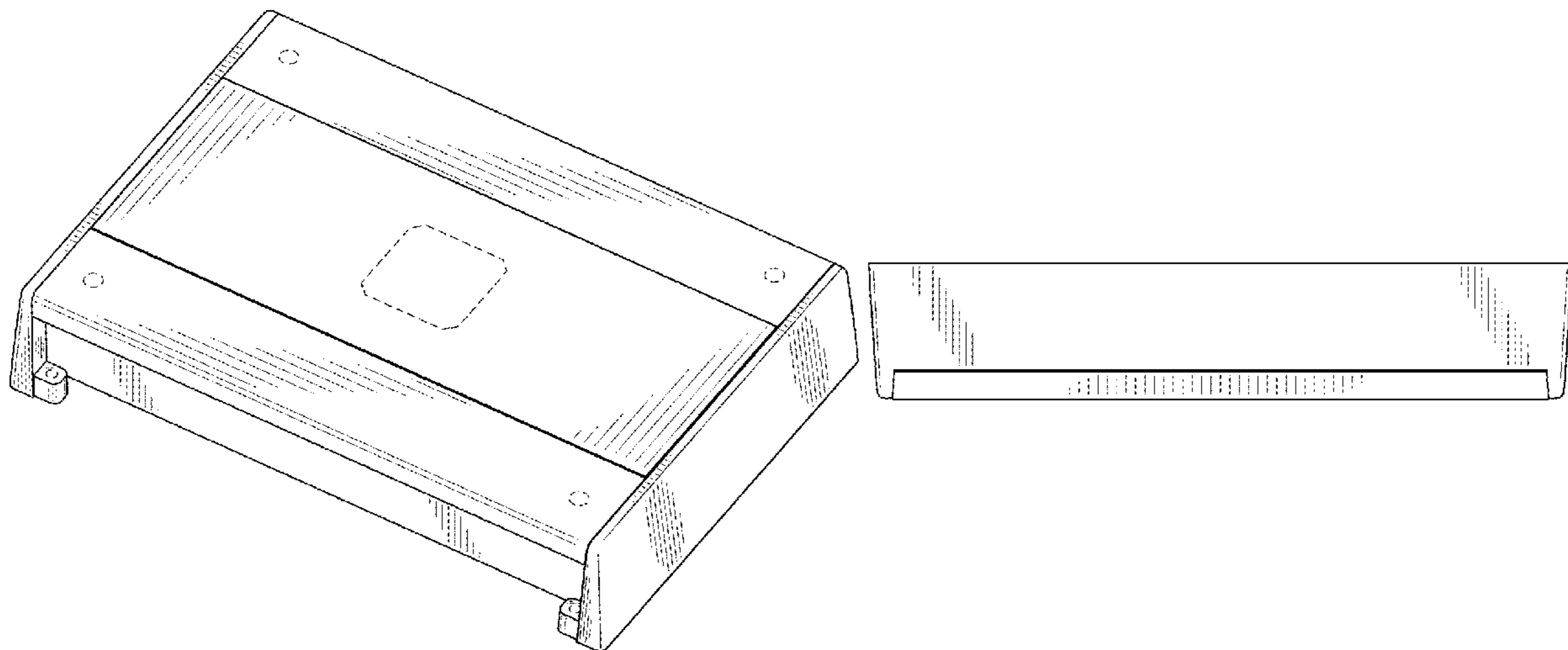
(57) **CLAIM**

The ornamental design for an amplifier, as shown and described.

**DESCRIPTION**

FIG. 1 is a perspective view of an amplifier showing my new design;  
FIG. 2 is a front view thereof;  
FIG. 3 is a top view thereof;  
FIG. 4 is a bottom view thereof;  
FIG. 5 is a right side view thereof; and,  
FIG. 6 is a left side views thereof.  
The broken lines shown in the drawings depict portions of the amplifier that form no part of the claimed design.

**1 Claim, 6 Drawing Sheets**



(56)

**References Cited**

FOREIGN PATENT DOCUMENTS

JP	D 1328415	*	4/2008
JP	D 1376282		12/2009
JP	D 1414008		5/2011
JP	D 1423584		9/2011
JP	D 1457269		12/2012
JP	D 1620131		12/2018
JP	D1659652	*	5/2020

OTHER PUBLICATIONS

Pioneer Class D 6-Channel Marine Amplifier, date not available, [retrieved Dec. 1, 2021], Retrieved from Internet, URL: <<https://www.abt.com/Pioneer-Class-D-6-Channel-Marine-Amplifier-GMME600X6/p/162146.html>> (Year: 2021).\*

Pioneer GM-ME600X6, date not available, [retrieved Dec. 1, 2021], Retrieved from Internet, URL: <[https://www.crutchfield.com/S-IXm0kGi97Oy/p\\_130ME600X6/Pioneer-GM-ME600X6.html](https://www.crutchfield.com/S-IXm0kGi97Oy/p_130ME600X6/Pioneer-GM-ME600X6.html)> (Year: 2021).\*

\* cited by examiner

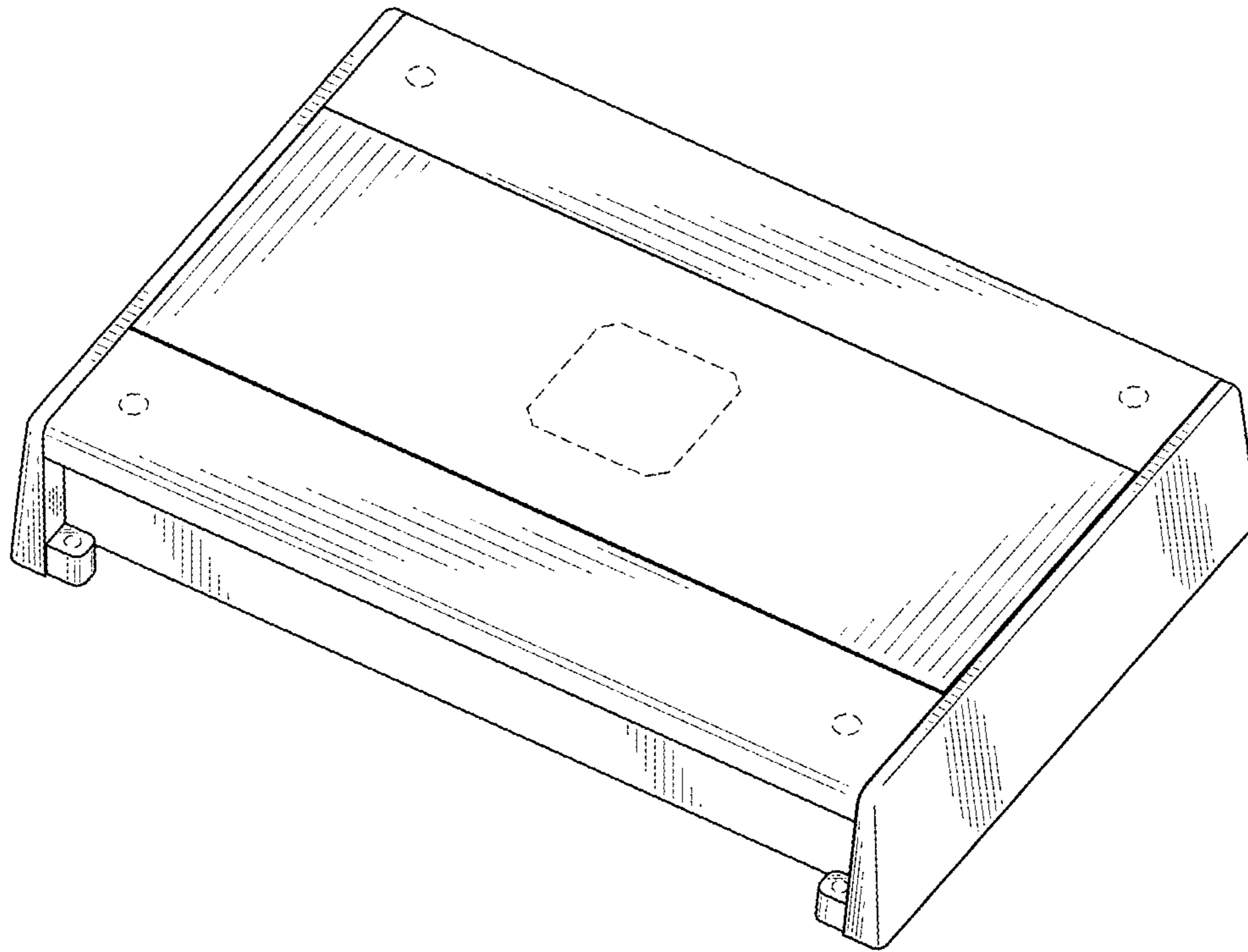


FIG. 1

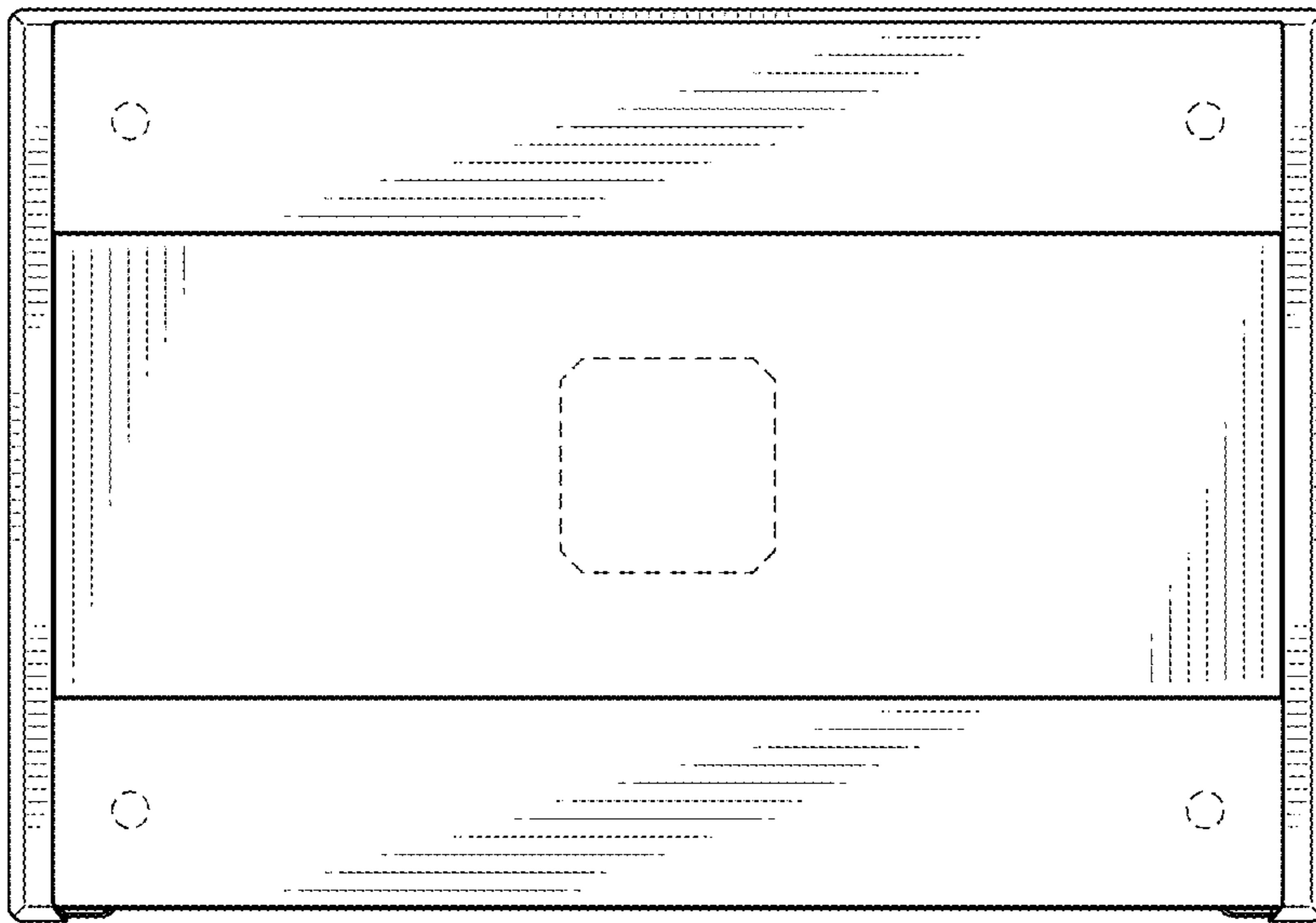


FIG. 2

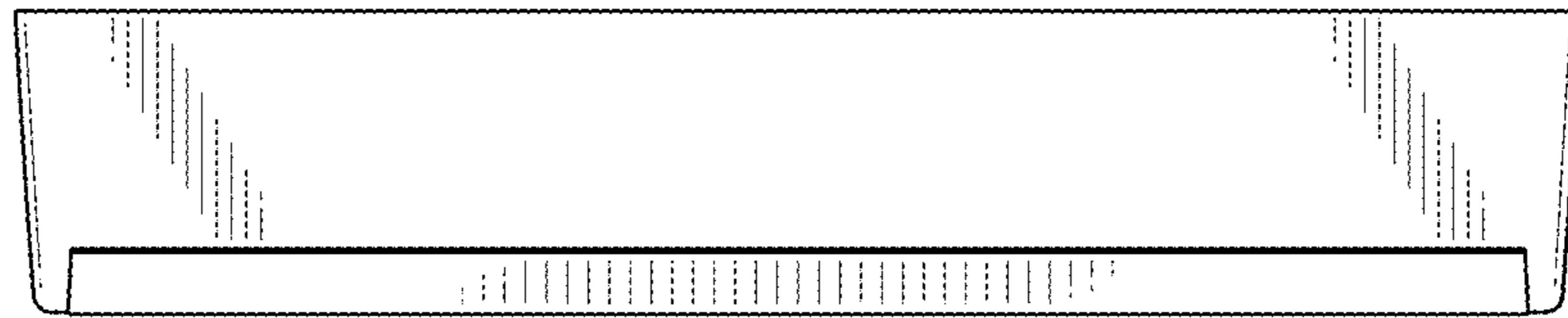


FIG. 3

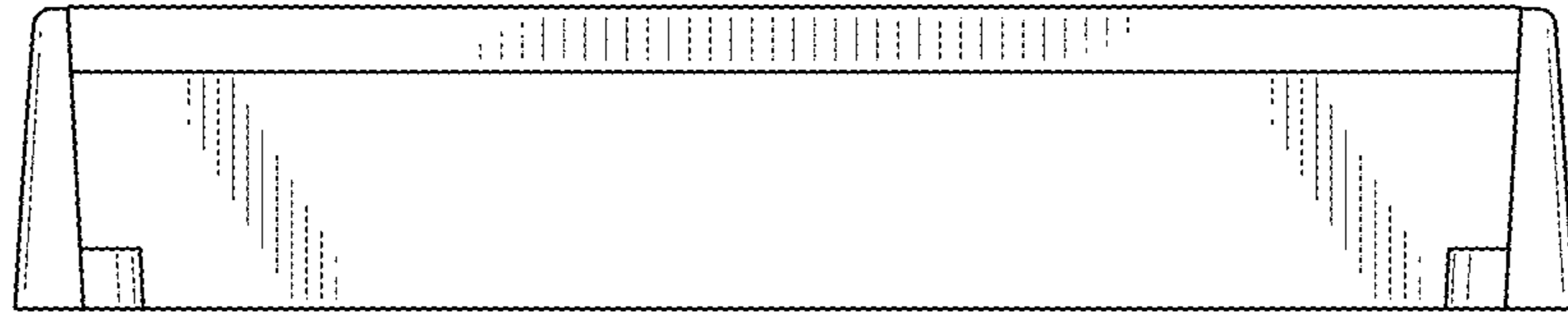


FIG. 4

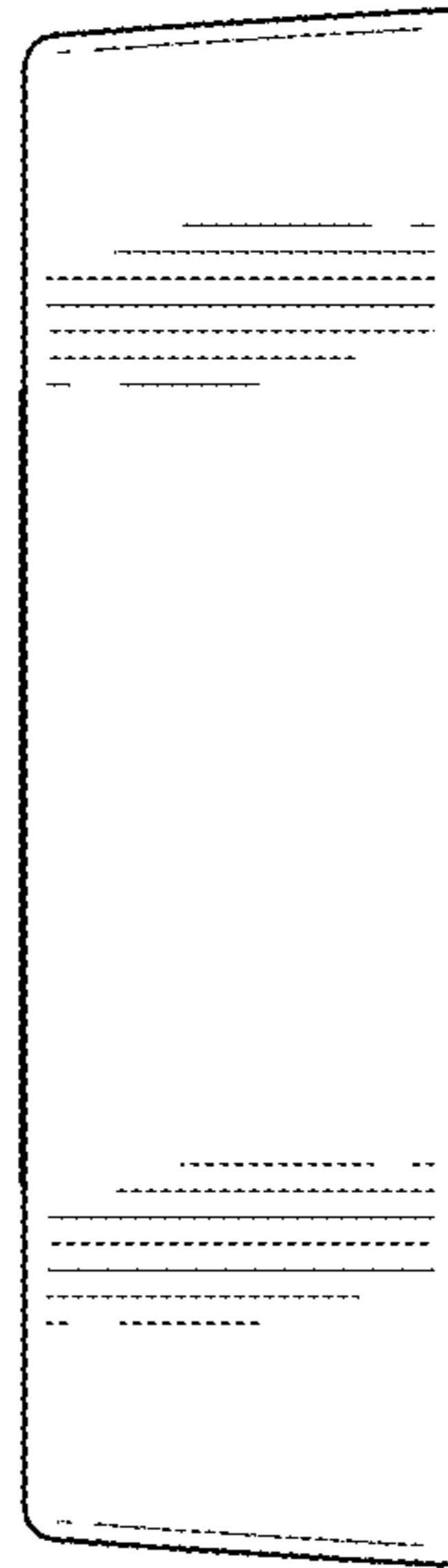


FIG. 5

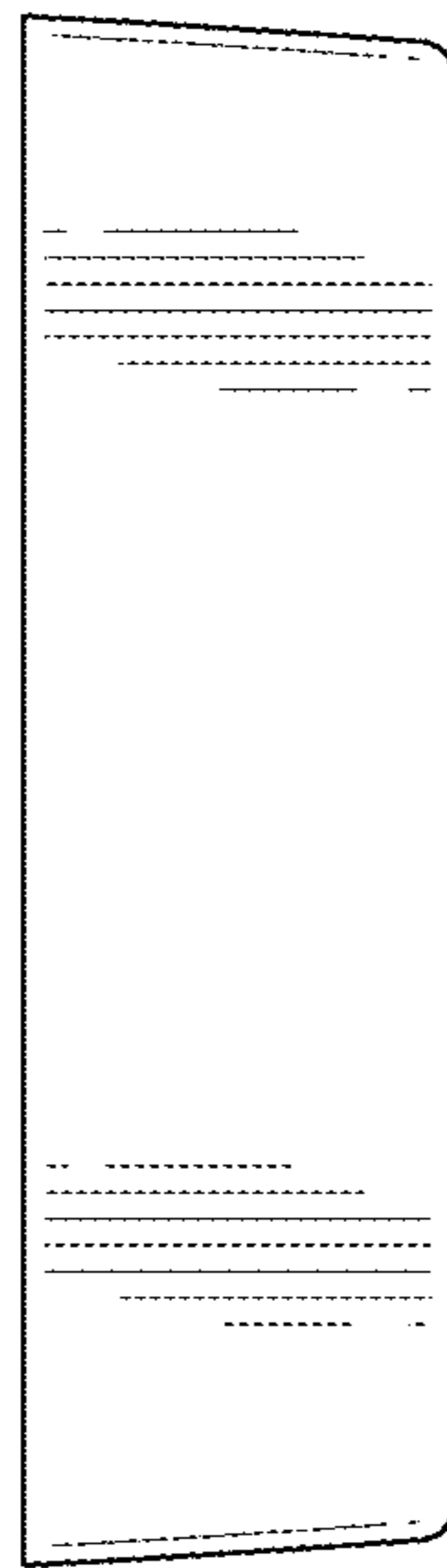


FIG. 6