



US00D954015S

(12) **United States Design Patent** (10) **Patent No.:** **US D954,015 S**
Chen (45) **Date of Patent:** **** Jun. 7, 2022**

(54) **ELECTRIC FENCE**
(71) Applicant: **ZhenBang Chen**, Zhongshan (CN)
(72) Inventor: **ZhenBang Chen**, Zhongshan (CN)
(**) Term: **15 Years**
(21) Appl. No.: **29/786,888**
(22) Filed: **Jun. 3, 2021**
(51) **LOC (13) Cl.** **14-03**
(52) **U.S. Cl.**
USPC **D14/155**
(58) **Field of Classification Search**
USPC D14/167, 154, 168, 188, 496, 156, 160,
D14/161, 162, 163, 164, 165, 158, 341,
D14/346, 342, 345, 137, 155, 218, 225;
D16/208; D26/38; 455/351, 350;
D10/104.1, 106, 65
CPC H04B 1/385; H04M 1/6091; H04M 1/6066
See application file for complete search history.

(56) **References Cited**
U.S. PATENT DOCUMENTS
D381,922 S * 8/1997 Casperson D10/104.2
D471,172 S * 3/2003 Greenway D14/155
D518,469 S * 4/2006 Barad D14/218
D556,183 S * 11/2007 Kesler D14/155
D585,048 S * 1/2009 Uchimura D14/155
D655,267 S * 3/2012 Daniel D14/137
D678,218 S 3/2013 Sheen

D742,817 S 11/2015 Lammers-Meis et al.
D822,516 S 7/2018 Curen et al.
D858,904 S 9/2019 Zinn et al.
D873,232 S * 1/2020 Zeng D14/155
D890,456 S 7/2020 Dai
D906,274 S * 12/2020 Nakamura D14/188
D916,678 S * 4/2021 Du D14/155
D929,358 S * 8/2021 Peled D10/53
D942,408 S * 2/2022 Dharmadas D14/188
D942,962 S * 2/2022 Dharmadas D14/188
D945,392 S * 3/2022 Jia D14/155

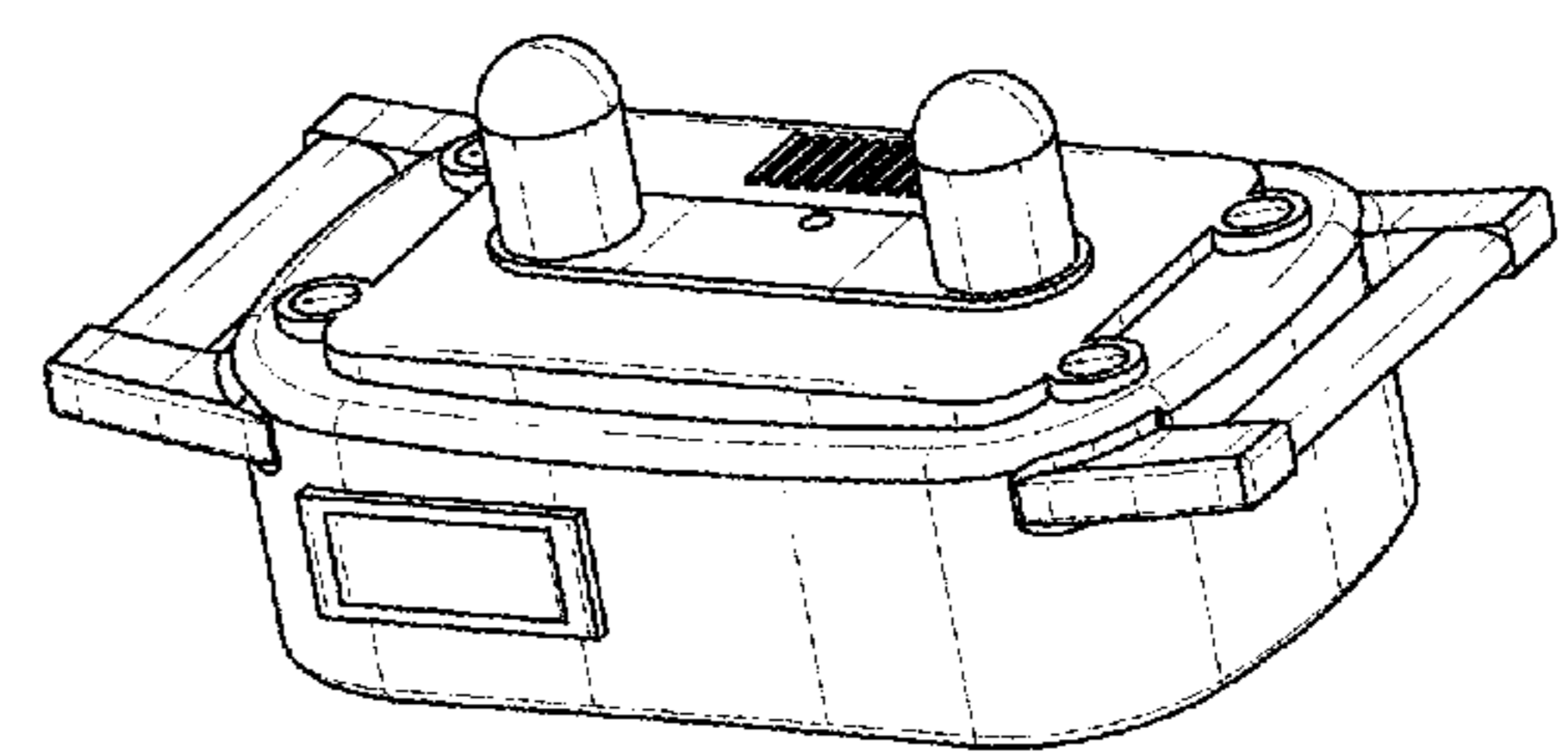
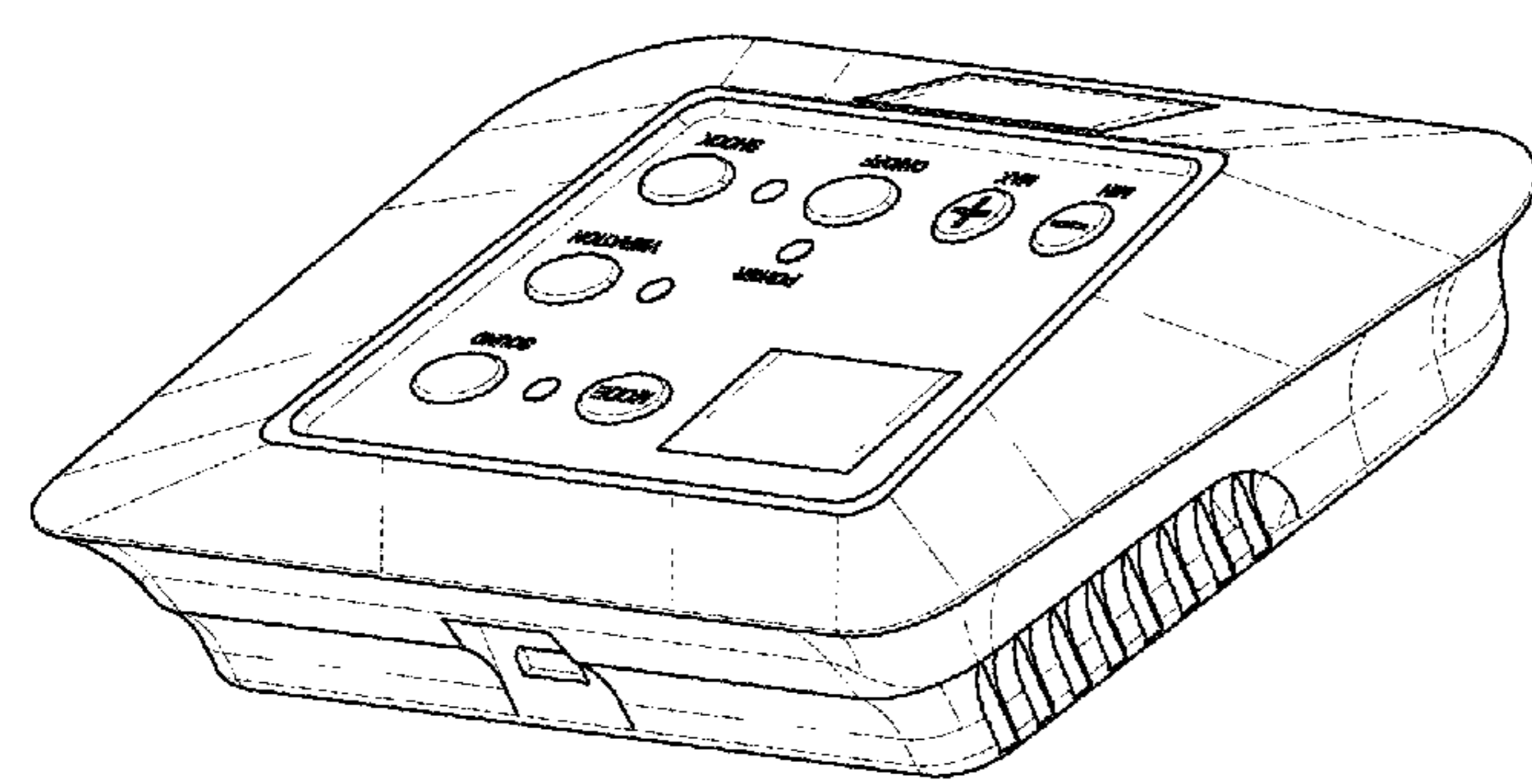
* cited by examiner
Primary Examiner — Austin Murphy
(74) *Attorney, Agent, or Firm* — Rumit Ranjit Kanakia

(57) **CLAIM**
I claim the ornamental design for an electric fence, as shown and described.

DESCRIPTION

FIG. 1 is a Perspective view of an electric fence showing my new design;
FIG. 2 is other Perspective view thereof;
FIG. 3 is a Front view thereof;
FIG. 4 is a Back view thereof;
FIG. 5 is a Right-side view thereof;
FIG. 6 is a Left-side view thereof;
FIG. 7 is a Top view thereof; and,
FIG. 8 is a Bottom view thereof.
The broken lines in the drawings depict portions of the electric fence that form no part of the claimed design.

1 Claim, 8 Drawing Sheets



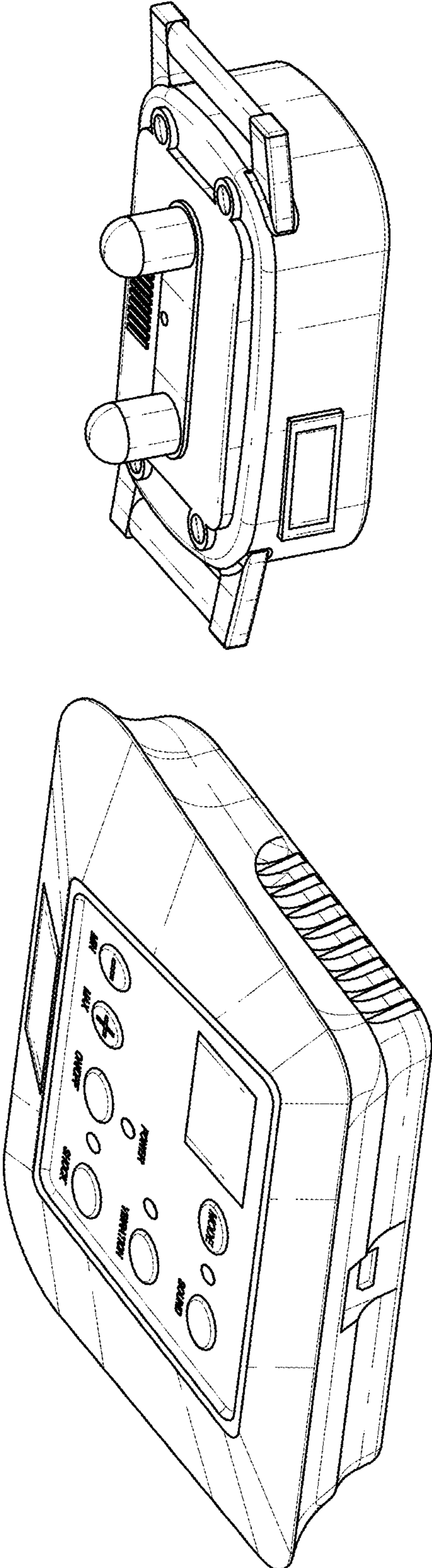


FIG. 1

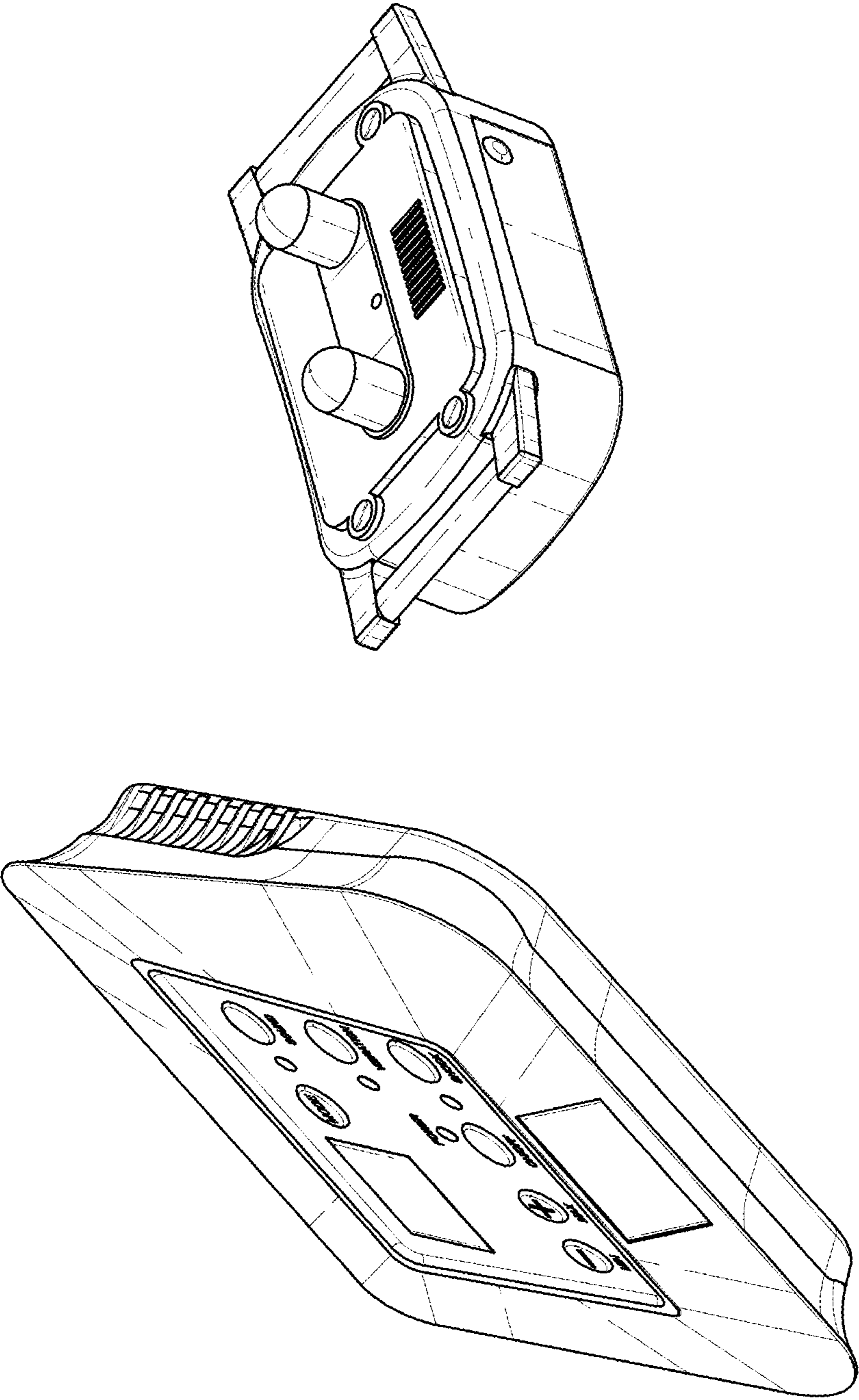


FIG. 2

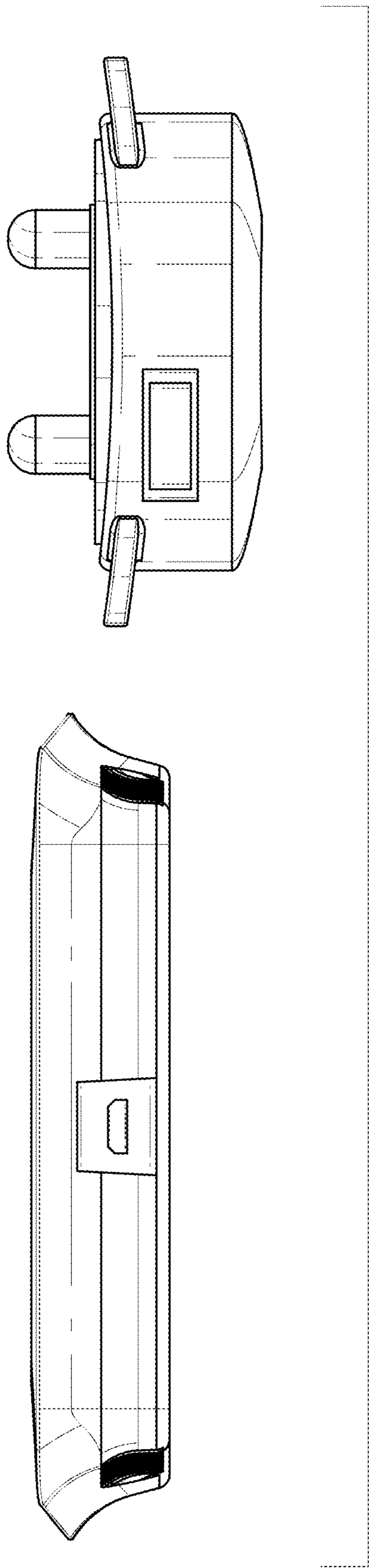


FIG. 3

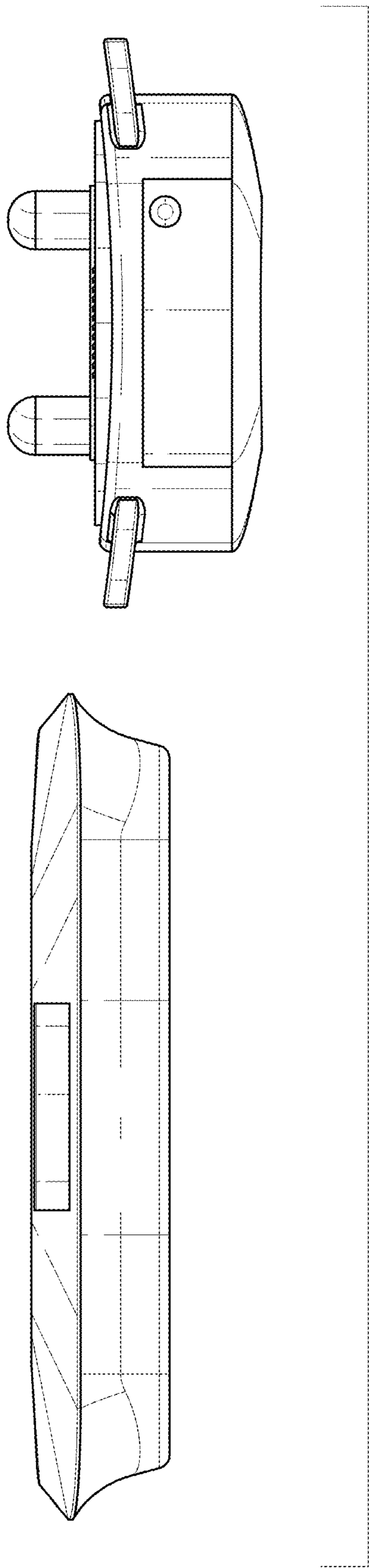


FIG. 4

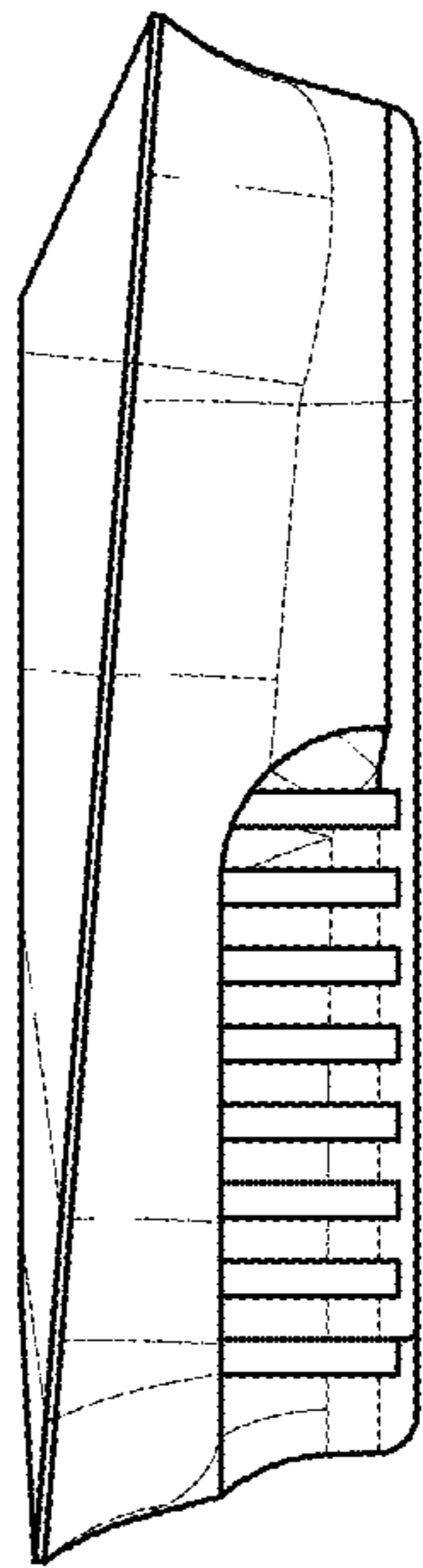
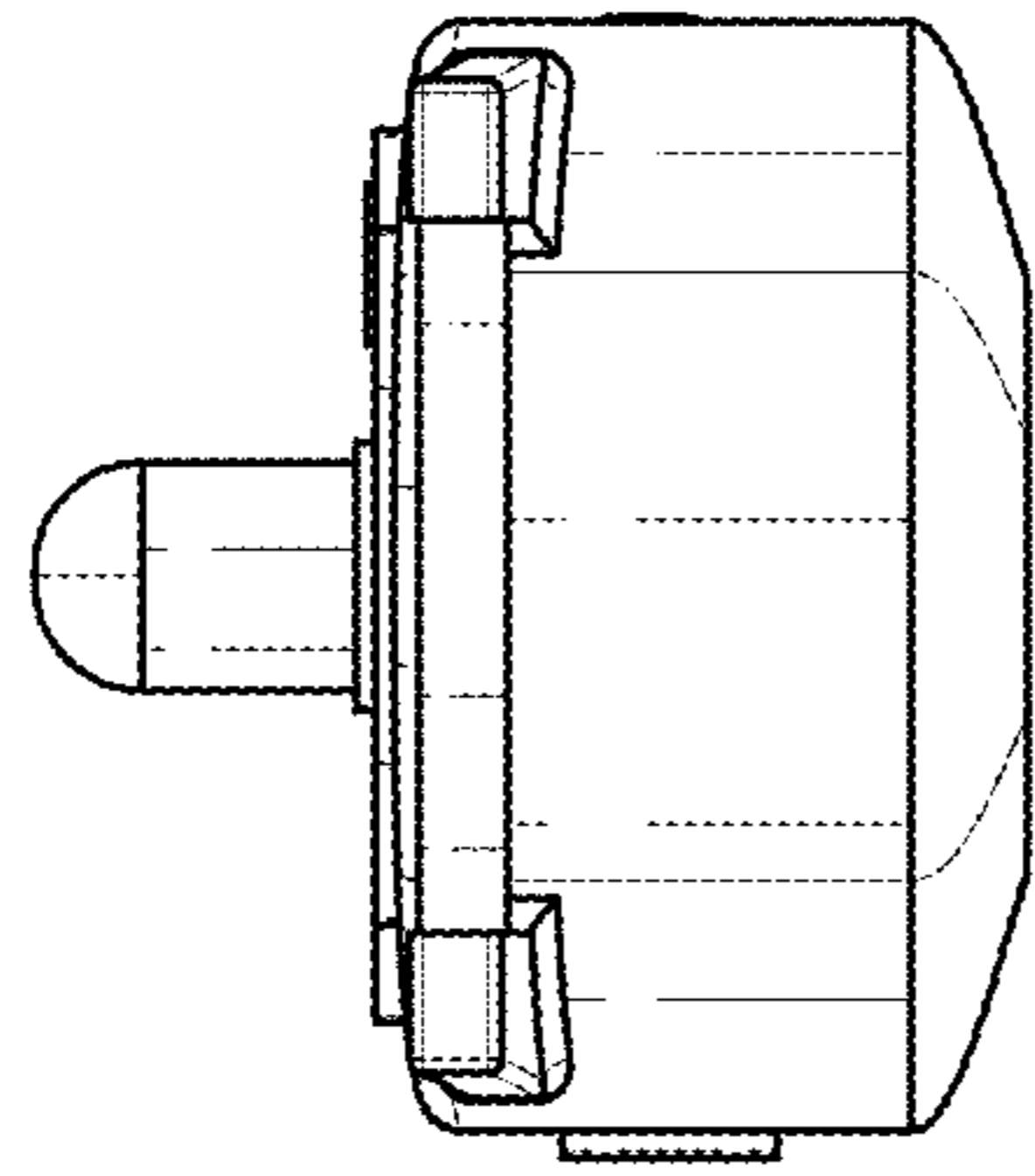


FIG. 5

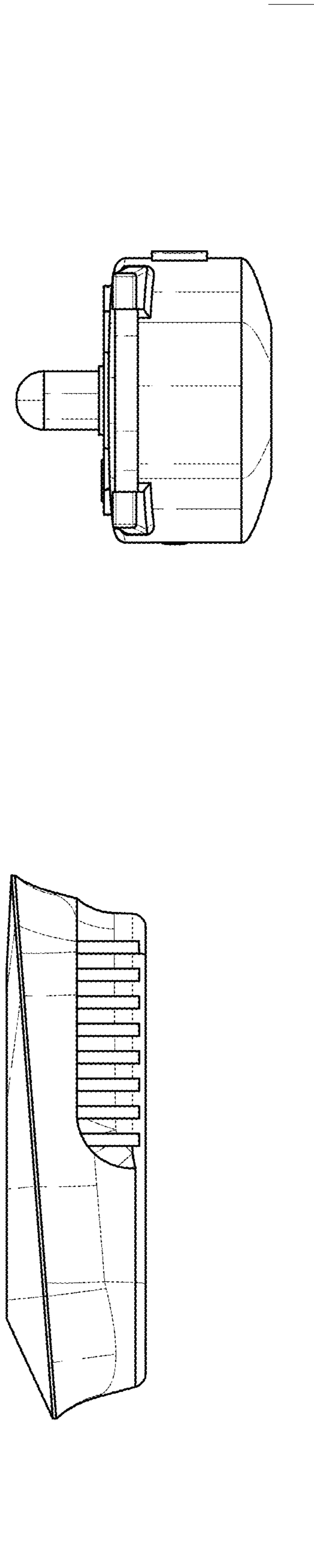


FIG. 6

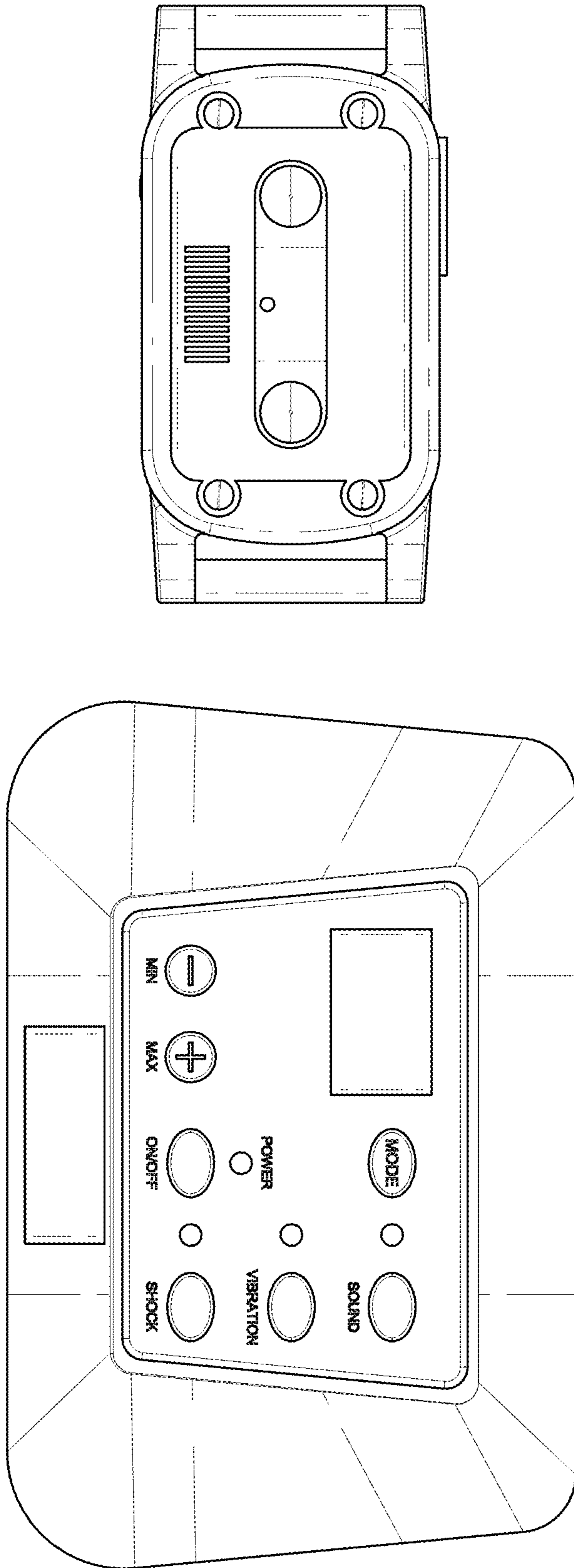


FIG. 7

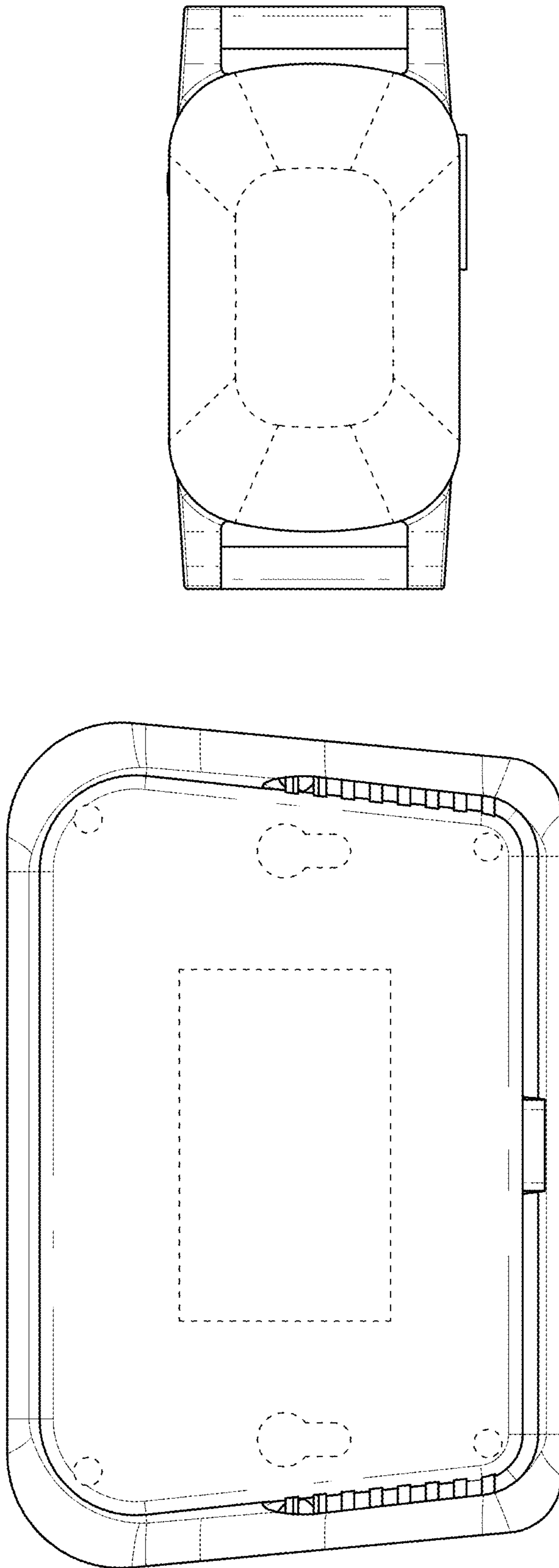


FIG. 8