



US00D954014S

(12) **United States Design Patent**
Song et al.

(10) **Patent No.:** **US D954,014 S**
(45) **Date of Patent:** **** Jun. 7, 2022**

(54) **ELECTRONIC DEVICE**

- (71) Applicant: **Samsung Electronics Co., Ltd.**, Suwon-si (KR)
- (72) Inventors: **Jun-Yong Song**, Suwon-si (KR);
Byoung-Jin Kim, Suwon-si (KR);
Jung-Hyun Choi, Suwon-si (KR);
Woo-Hyeok Jeong, Suwon-si (KR);
Eun-Soo Kim, Suwon-si (KR)
- (73) Assignee: **SAMSUNG ELECTRONICS CO., LTD.**, Suwon-si (KR)
- (**) Term: **15 Years**

- (21) Appl. No.: **29/803,392**
- (22) Filed: **Aug. 12, 2021**

Related U.S. Application Data

- (63) Continuation of application No. 29/730,435, filed on Apr. 3, 2020.

(30) **Foreign Application Priority Data**

Nov. 20, 2019 (KR) 30-2019-0055425

- (51) **LOC (13) Cl.** **14-03**

- (52) **U.S. Cl.**
USPC **D14/138 AB**

- (58) **Field of Classification Search**
USPC D14/341, 342, 345, 348, 426, 138 R,
D14/138 AA, 138 AB, 138 AC, 138 AD,
(Continued)

(56) **References Cited**

U.S. PATENT DOCUMENTS

- D814,455 S * 4/2018 Kwon D14/341
 - D859,347 S * 9/2019 Kwon D14/138 AB
- (Continued)

OTHER PUBLICATIONS

Samsung Galaxy Z Flip, www.gsmarena.com, Feb. 14, 2020. https://www.gsmarena.com/samsung_galaxy_z_flip-10054.php (Year: 2020).*
(Continued)

Primary Examiner — Llorellys Martinez
Assistant Examiner — Kwabena A. Ankobiah
(74) *Attorney, Agent, or Firm* — McAndrews Held & Malloy, Ltd.

(57) **CLAIM**

The ornamental design for an electronic device, as shown and described.

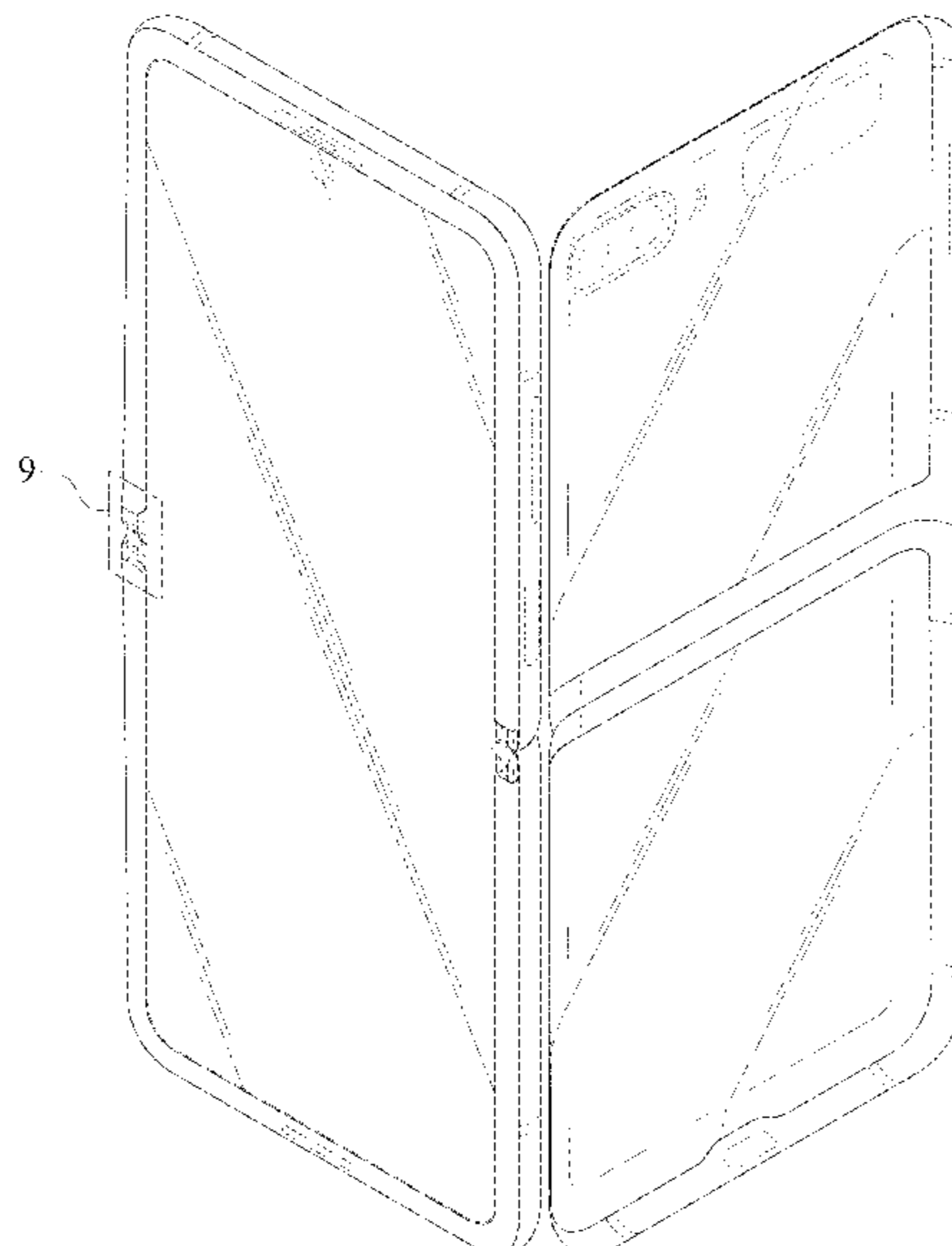
DESCRIPTION

FIG. 1 is a front perspective view of an electronic device showing our new design;
 FIG. 2 is a front elevation view thereof;
 FIG. 3 is a rear elevation view thereof;
 FIG. 4 is a left side elevation view thereof;
 FIG. 5 is a right side elevation view thereof;
 FIG. 6 is a top plan view thereof;
 FIG. 7 is a bottom plan view thereof;
 FIG. 8 is a rear perspective view thereof;
 FIG. 9 is an enlarged view thereof, taken from the encircled portion 9 in FIG. 1; and,
 FIG. 10 is an enlarged view thereof, taken from the encircled portion 10 in FIG. 2.

The dashed broken lines in the figures illustrate portions of the electronic device that form no part of the claimed design. The dot-dash broken lines in the figures delineating portions of the claimed design that are illustrated in enlargements form no part of the claimed design.

The dot-dash broken lines encircling a portion of the electronic device in FIGS. 1, 2, 9, and 10 are included to show a partially enlarged view only and form no part of the claimed design.

1 Claim, 10 Drawing Sheets



US D954,014 S

Page 2

(58) **Field of Classification Search**

USPC D14/138 C, 138 G, 203.1, 203.3, 203.4,
D14/203.7, 247, 248, 496; D10/50;
D21/330; D8/323, 325; D25/199
CPC G06F 3/041; G06F 3/0412; G06F 3/0488;
G06F 3/04883; G06F 1/1613; G06F
1/1686; G06F 1/1626; G06F 1/1692;
G06F 2200/1633; H04M 1/0283; H04M
1/0279; H04M 1/0202; H04M 1/0266;
H04M 1/027

See application file for complete search history.

(56) **References Cited**

U.S. PATENT DOCUMENTS

D901,419 S * 11/2020 Lee D14/138 AB
D902,167 S * 11/2020 Lee D14/138 AB
D904,380 S * 12/2020 Seo D14/248

D905,670 S * 12/2020 Seo D14/248
D920,313 S * 5/2021 Seo D14/248
D920,316 S * 5/2021 Seo D14/248
D926,150 S * 7/2021 Xie D14/138 AB
D926,183 S * 7/2021 Lim D14/341

OTHER PUBLICATIONS

Samsung Galaxy Z Flip Review, www.theverge.com, Feb. 21, 2020.
<https://www.theverge.com/2020/2/21/21146465/samsung-galaxy-z-flip-review-folding-glass-flip-phone-screen-camera-price> (Year: 2020).*

Galaxy Z Flip Design & Specs Rumors, www.samma3a.com, Feb. 9, 2020. <https://www.samma3a.com/tech/en/galaxy-z-flip-rumors/> (Year: 2020).*

Motorola RAZR (2020) Review, www.theverge.com, Oct. 28, 2020.
<https://www.theverge.com/21536546/motorola-razr-2020-review-5g-folding-flip> (Year: 2020).*

* cited by examiner

FIG. 1

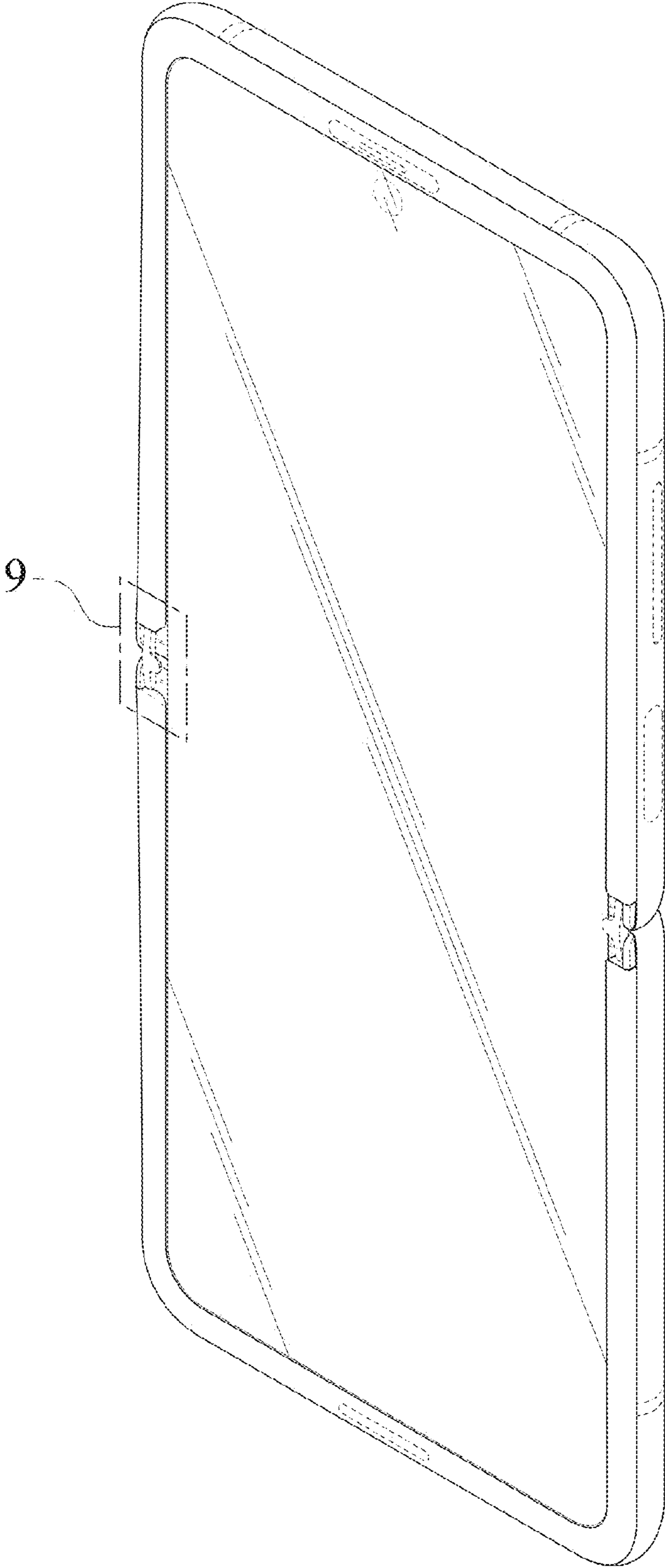


FIG. 2

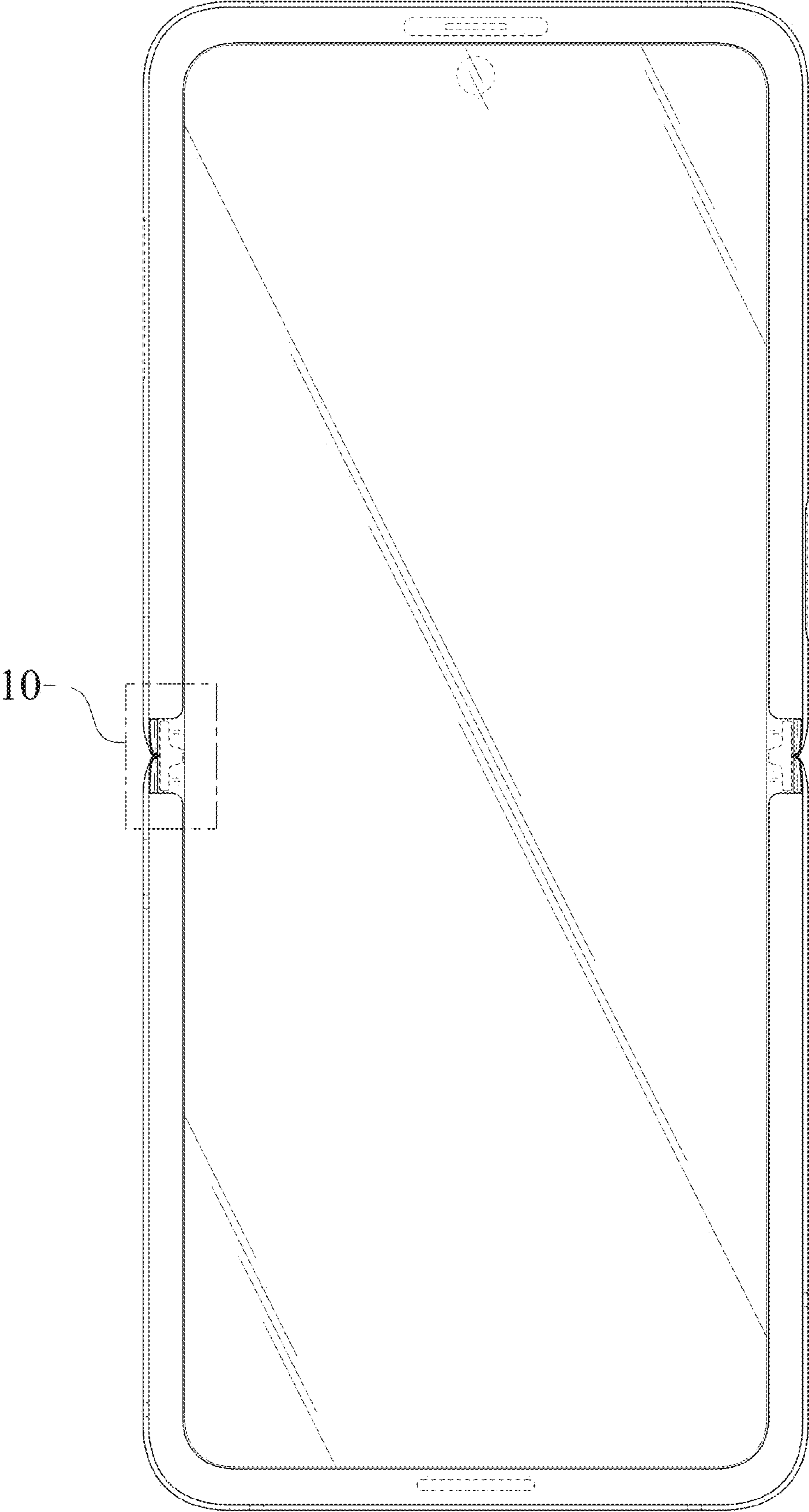


FIG. 3

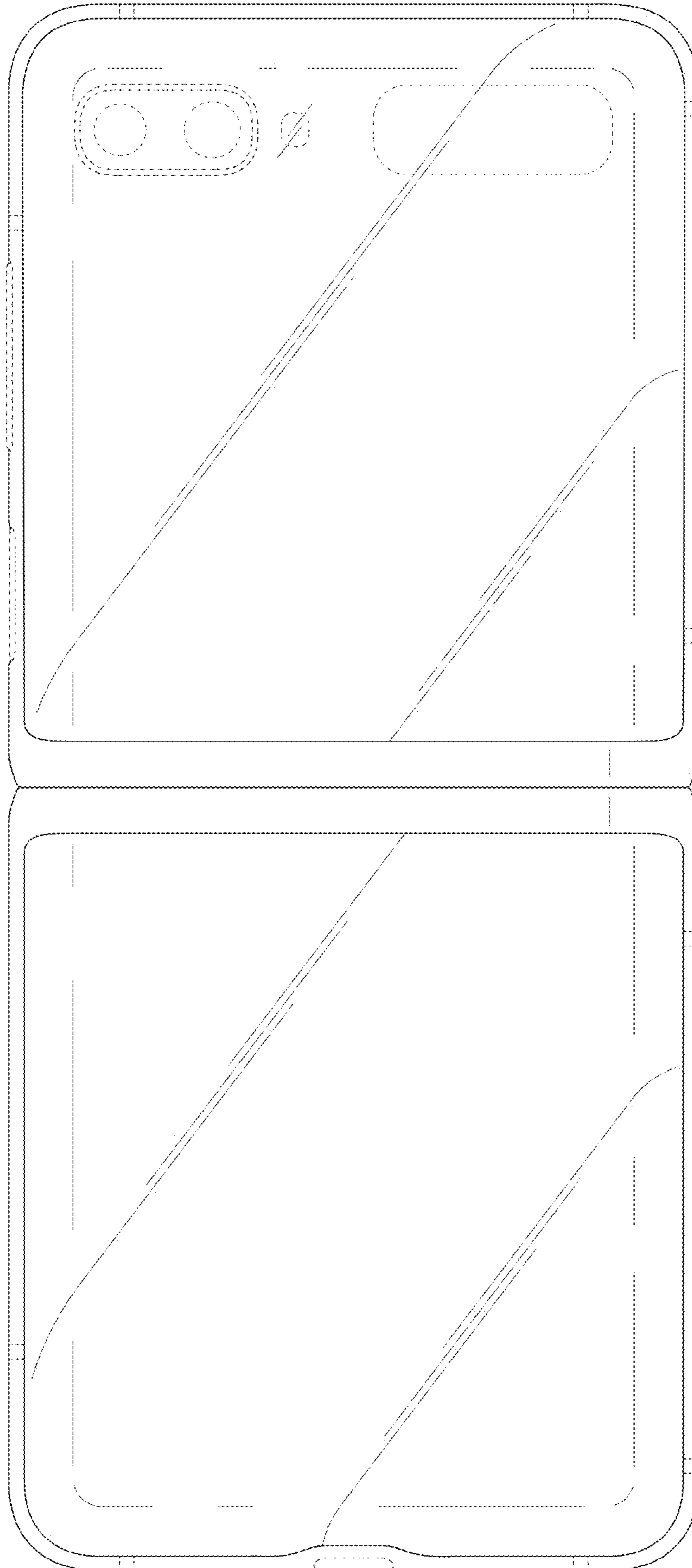


FIG. 4

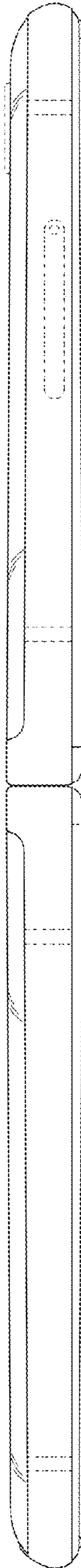


FIG. 5

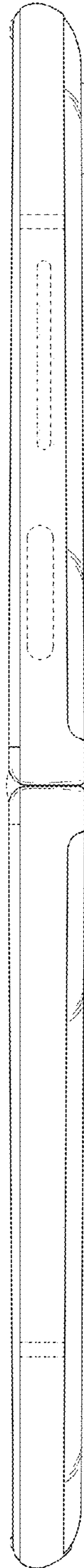


FIG. 6

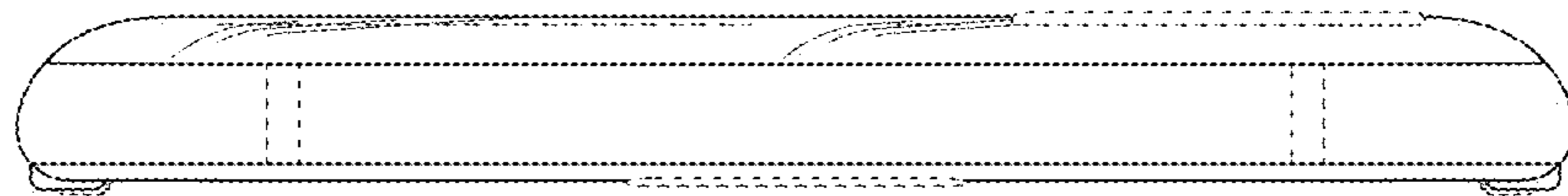


FIG. 7

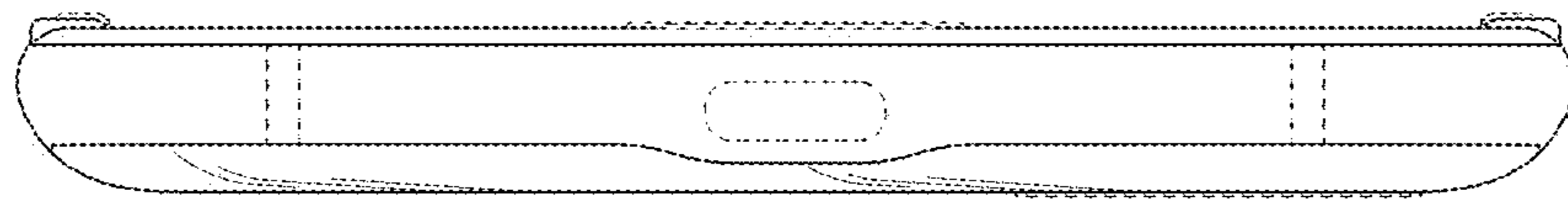


FIG. 8

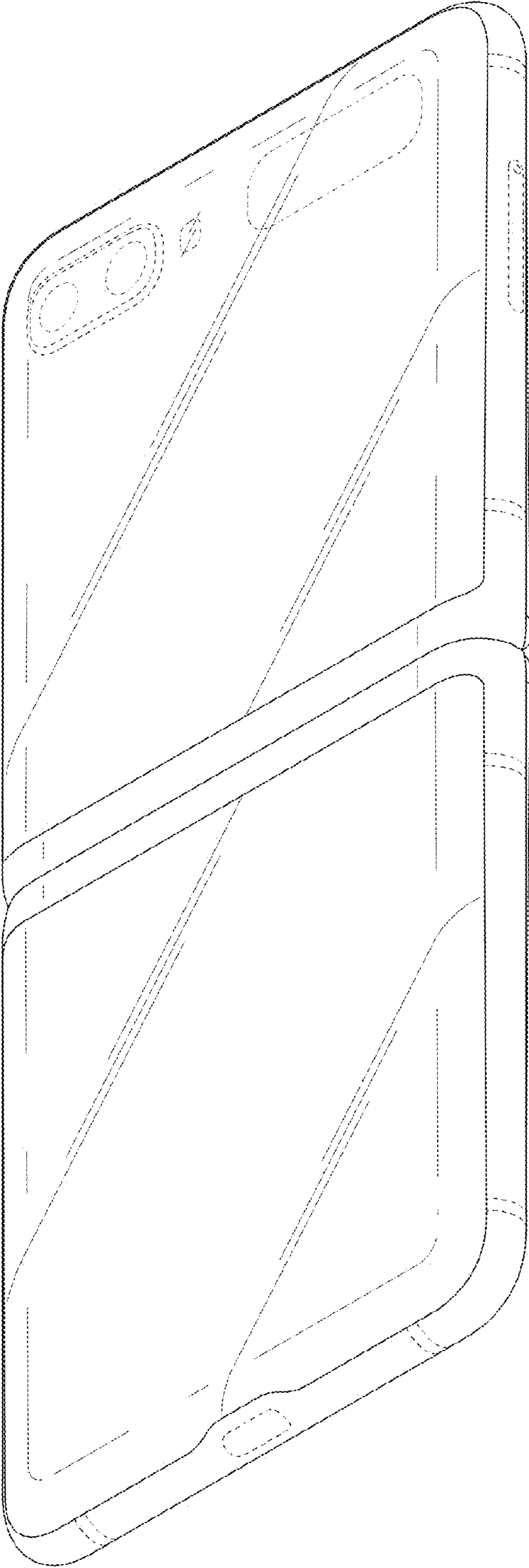


FIG. 9

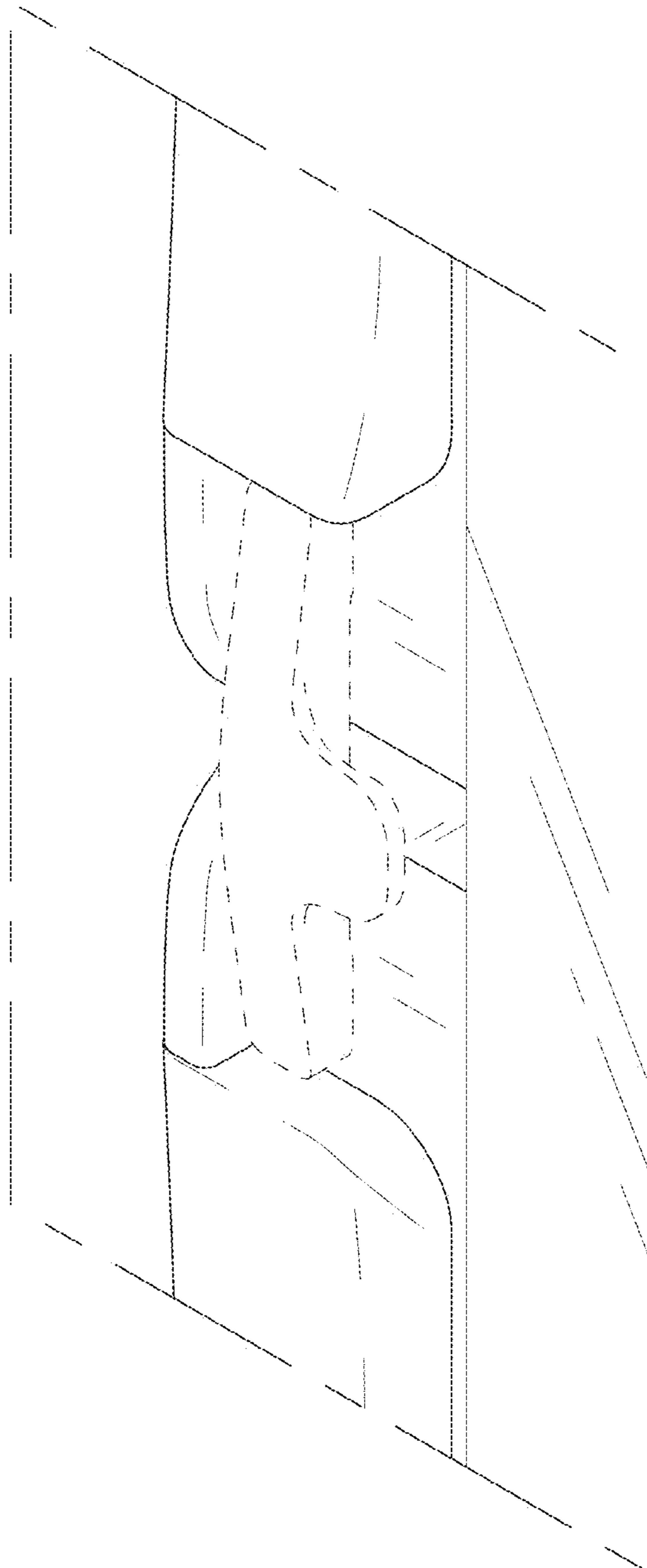


FIG. 10

