



US00D954012S

(12) **United States Design Patent**  
**Hong**

(10) **Patent No.:** **US D954,012 S**  
(45) **Date of Patent:** **\*\* Jun. 7, 2022**

(54) **WALKIE TALKIE**

FOREIGN PATENT DOCUMENTS

(71) Applicant: **Jianmin Hong**, Fujian (CN)

CN 302742389 \* 2/2014

(72) Inventor: **Jianmin Hong**, Fujian (CN)

OTHER PUBLICATIONS

(\*\*) Term: **15 Years**

Baofeng BF-888S-PLUS Walkie-Talkies, available at amazon.com, date first available Nov. 6, 2020 [online], [site visited Nov. 19, 2021], available from the internet URL: [https://www.amazon.com/dp/B08MVR5GCJ/ref=cm\\_sw\\_em\\_r\\_mt\\_dp\\_9AQNQRKHZVDFP2ZCTYAT?\\_encoding=UTF8&psc=1](https://www.amazon.com/dp/B08MVR5GCJ/ref=cm_sw_em_r_mt_dp_9AQNQRKHZVDFP2ZCTYAT?_encoding=UTF8&psc=1) (Year: 2020).\*

(21) Appl. No.: **29/756,197**

(22) Filed: **Oct. 27, 2020**

(51) **LOC (13) Cl.** ..... **14-03**

(52) **U.S. Cl.**

USPC ..... **D14/137**

(58) **Field of Classification Search**

USPC ... D14/137, 147, 155, 159, 226, 191, 203.3, D14/203.7, 203.1, 203.5, 188, 192, D14/194-198, 214, 218, 219, 221, 172, D14/420, 496; D13/168; D30/199; D6/313, 325; D10/65, 78, 104.1, 104.2, D10/106.1; D21/517, 566, 324, 329, 331  
CPC ..... H04B 2001/3861; H04B 1/3827; H04B 1/3833; H04M 1/233; G08B 21/020  
See application file for complete search history.

(Continued)

*Primary Examiner* — Wendy L Arminio

*Assistant Examiner* — Carrie S Gelula

(57) **CLAIM**

The ornamental design for a walkie talkie, as shown and described.

(56) **References Cited**

U.S. PATENT DOCUMENTS

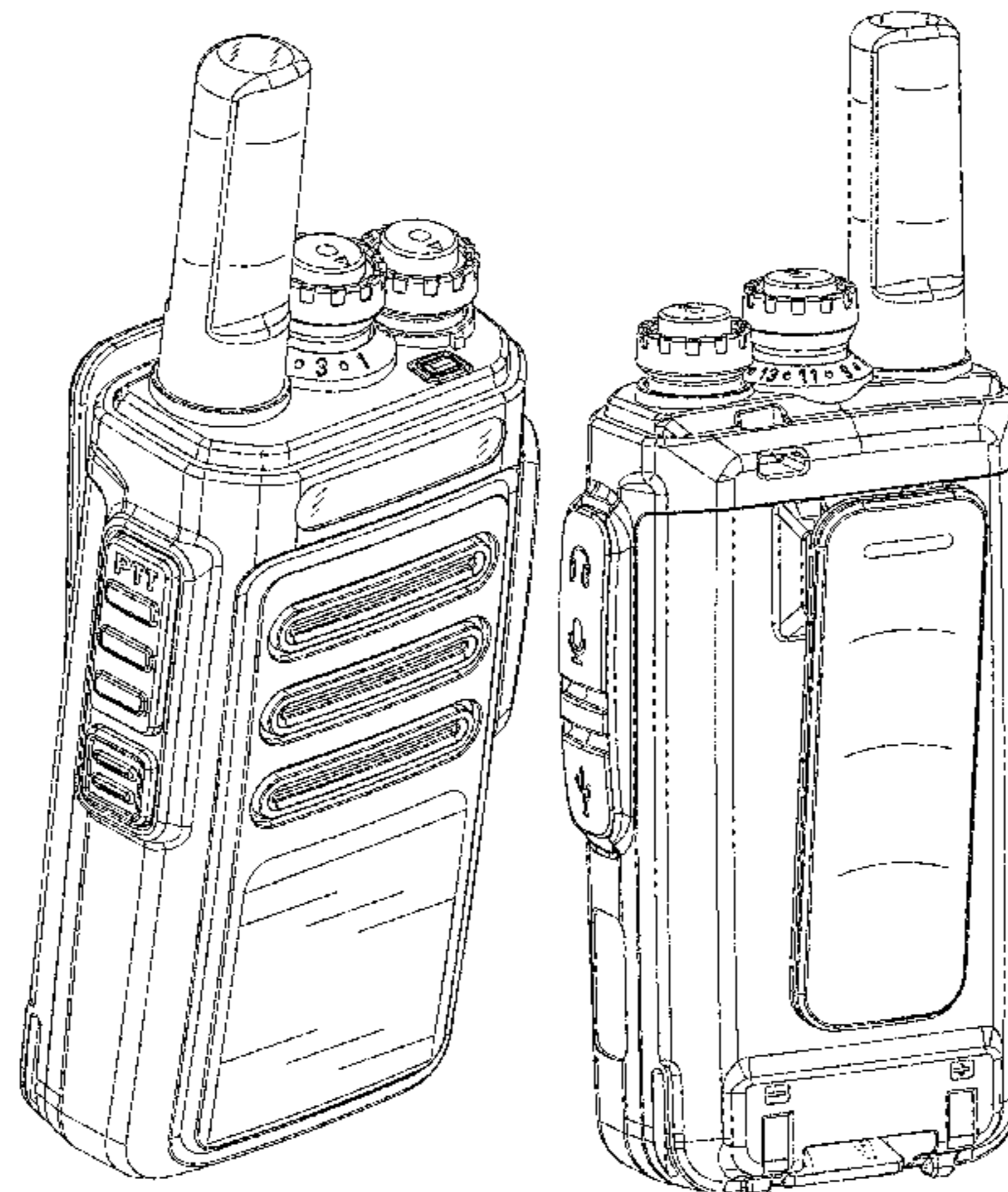
D616,845 S *	6/2010	Xia	.....	D14/137
D638,806 S *	5/2011	Kim	.....	D13/168
D663,277 S *	7/2012	Yong	.....	D14/137
D711,346 S *	8/2014	Ismail	.....	D14/191
D717,258 S *	11/2014	Garra	.....	D14/137
D717,259 S *	11/2014	Ooi	.....	D14/137
D721,050 S *	1/2015	Kaner	.....	D14/137
D738,357 S *	9/2015	Khairudin	.....	D14/226
D749,533 S *	2/2016	Sakata	.....	D14/137
D754,088 S *	4/2016	Ooi	.....	H01Q 1/242
				D14/137
9,762,075 B1 *	9/2017	Gill	.....	H01M 50/20
D878,316 S *	3/2020	Duman	.....	H04W 4/10
				D14/137
D927,442 S *	8/2021	Hong	.....	D14/137
2010/0330935 A1 *	12/2010	Maggert	.....	H01R 43/24
				455/90.3
2015/0296351 A1 *	10/2015	Tham	.....	H04W 4/10
				455/518

(Continued)

**DESCRIPTION**

FIG. 1 is a front elevational view of a walkie talkie showing my new design;  
FIG. 2 is a rear elevational view thereof;  
FIG. 3 is a left side view thereof;  
FIG. 4 is a right side view thereof;  
FIG. 5 is a top plan view thereof;  
FIG. 6 is a bottom plan view thereof;  
FIG. 7 is a perspective view thereof;  
FIG. 8 is a second perspective view thereof;  
FIG. 9 is a third perspective view thereof; and,  
FIG. 10 is a fourth perspective view thereof.  
The broken lines in the drawings are for the purpose of illustrating portions of the walkie talkie that form no part of the claimed design.

**1 Claim, 10 Drawing Sheets**



(56)

**References Cited**

U.S. PATENT DOCUMENTS

2020/0194867 A1\* 6/2020 Lee ..... H01Q 1/242

OTHER PUBLICATIONS

Baofeng BF-888S-PLUS, announced on youtube.com on Sep. 9, 2020 [online], [site visited Nov. 30, 2021], Available at the internet URL: <https://www.youtube.com/watch?v=BkgNCCjNwV8> (Year: 2020).\*

Baofeng F8X Handheld Walky Talky, available at amazon.com, date first available Oct. 12, 2021 [online], [site visited Nov. 30, 2021], available from the internet URL: [https://www.amazon.com/dp/B09J8FFHV6/ref=cm\\_sw\\_em\\_r\\_mt\\_dp\\_11WRVT0TBST6Y4E874DZ?\\_encoding=UTF8&psc=1](https://www.amazon.com/dp/B09J8FFHV6/ref=cm_sw_em_r_mt_dp_11WRVT0TBST6Y4E874DZ?_encoding=UTF8&psc=1) (Year: 2021).\*

Borynet PH600 walkie talkie, available at alibaba.com, date unknown, [site visited Nov. 26, 2021], available at internet URL: [https://www.alibaba.com/product-detail/Borynet-PH600-Professional-long-range-IP68\\_1600351156117.html](https://www.alibaba.com/product-detail/Borynet-PH600-Professional-long-range-IP68_1600351156117.html) (Year: 2021).\*

\* cited by examiner

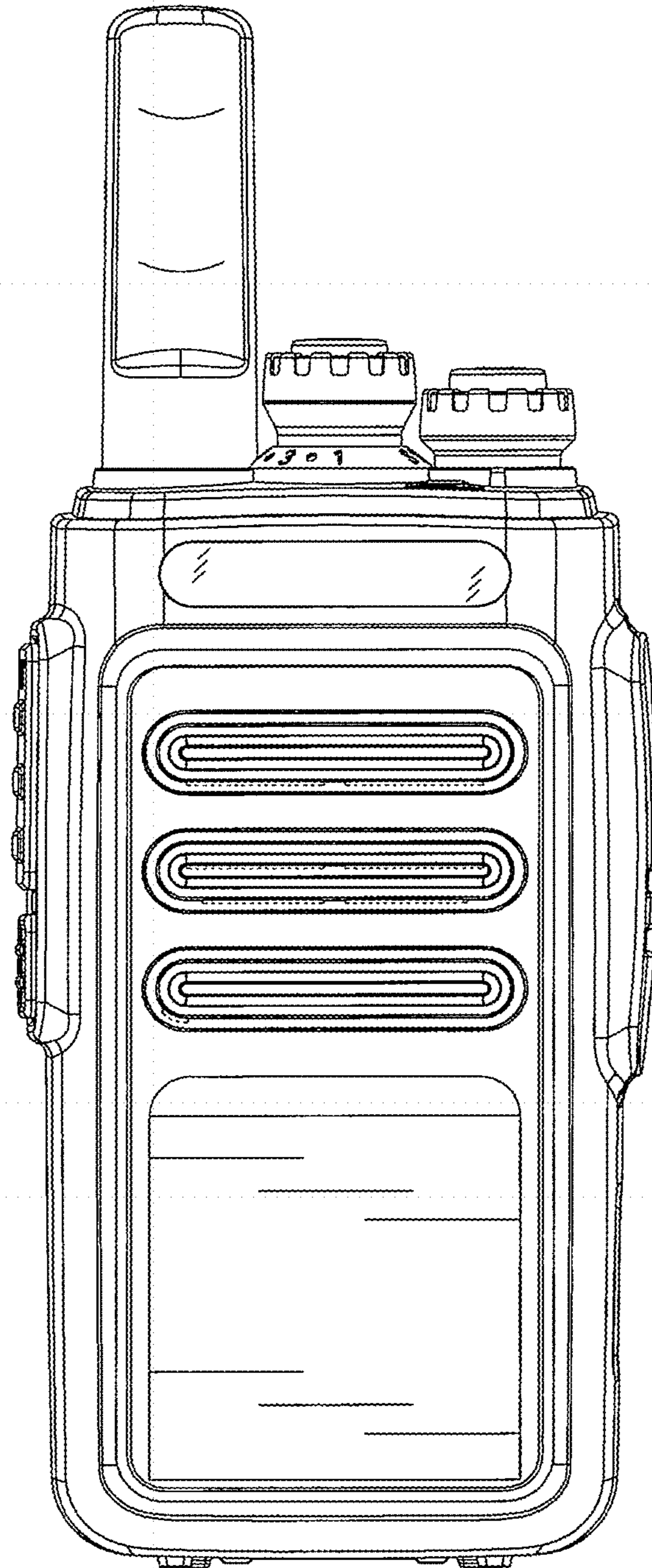


FIG. 1

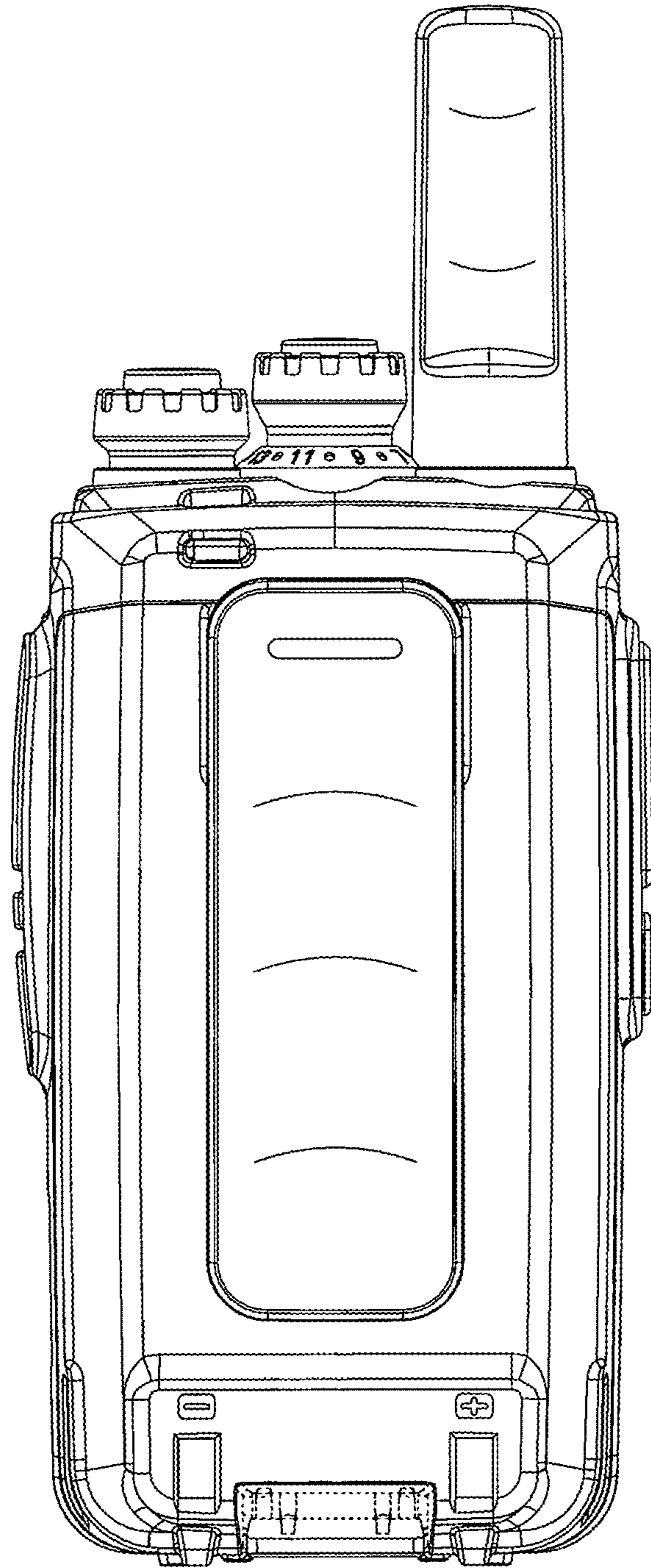


FIG. 2

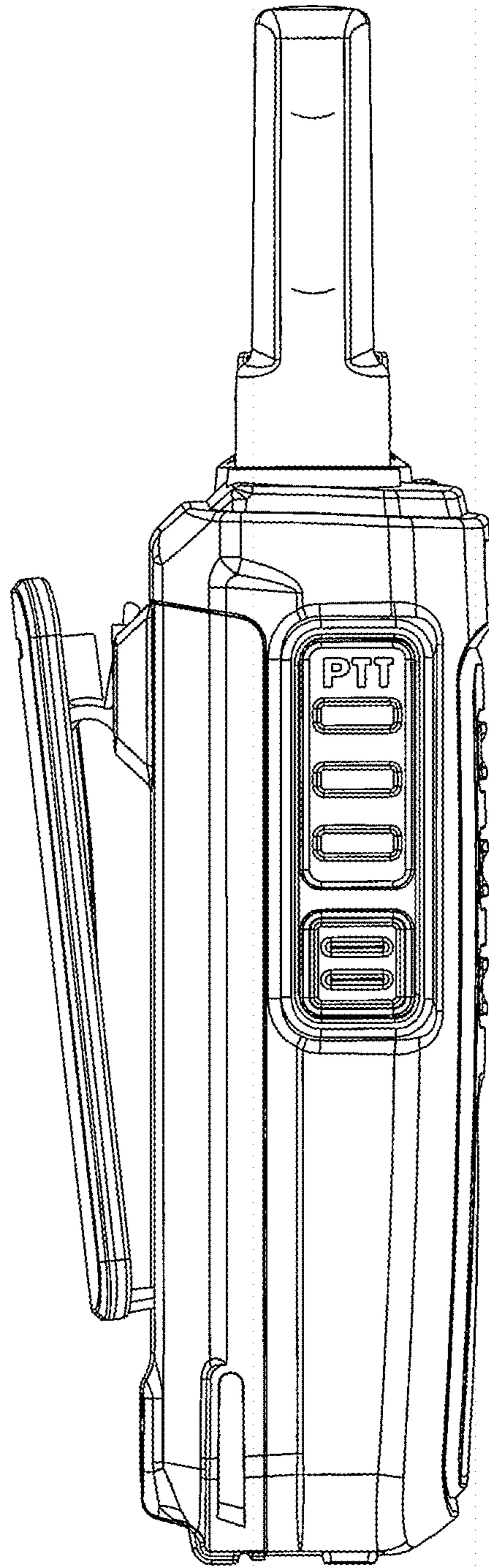


FIG. 3

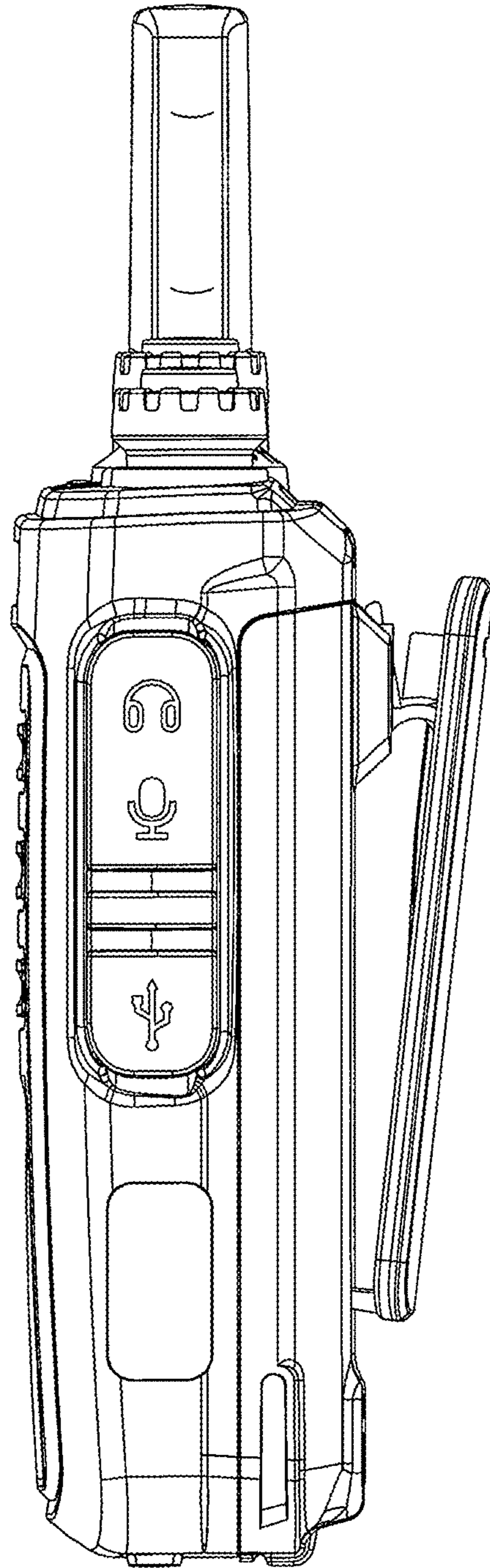


FIG. 4

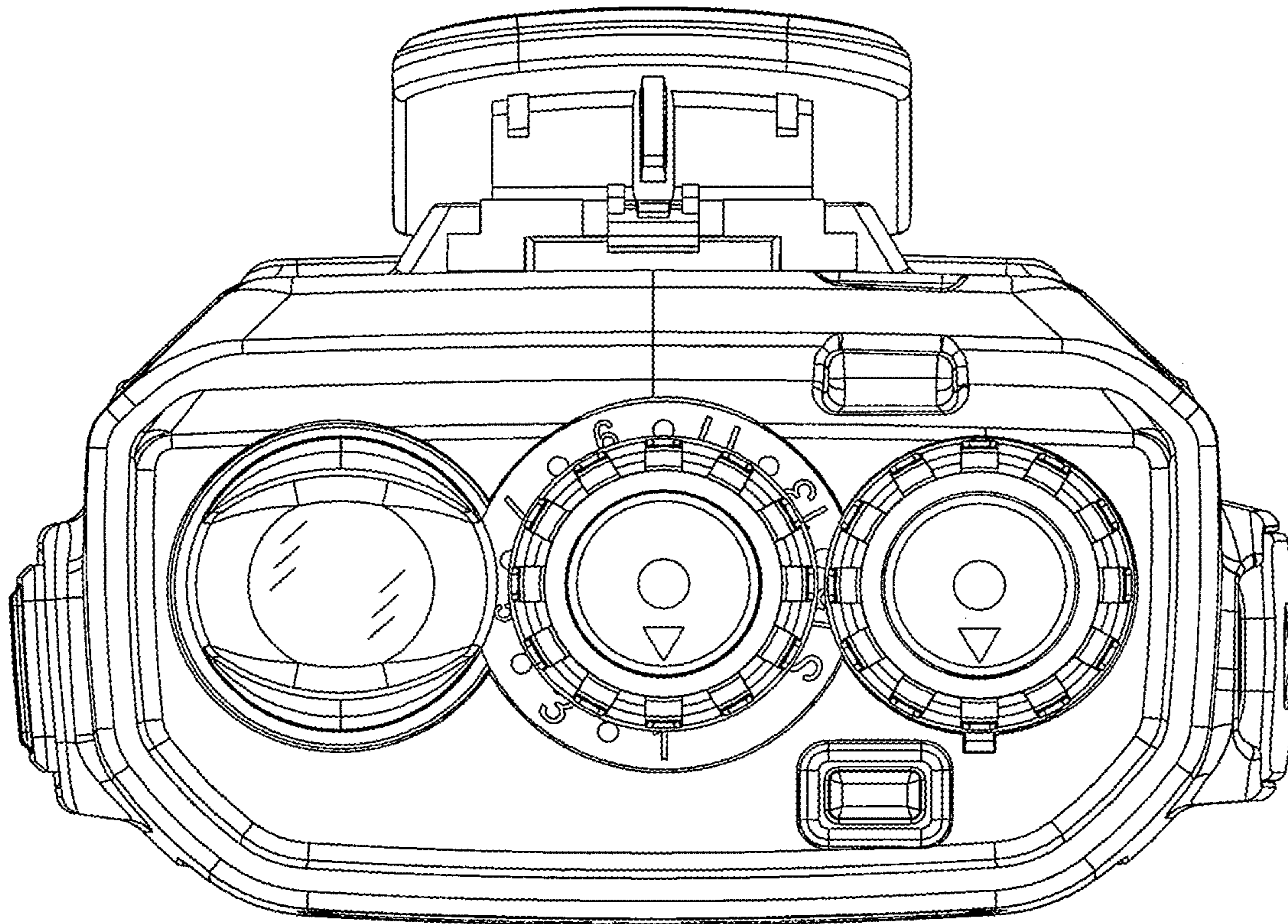


FIG. 5

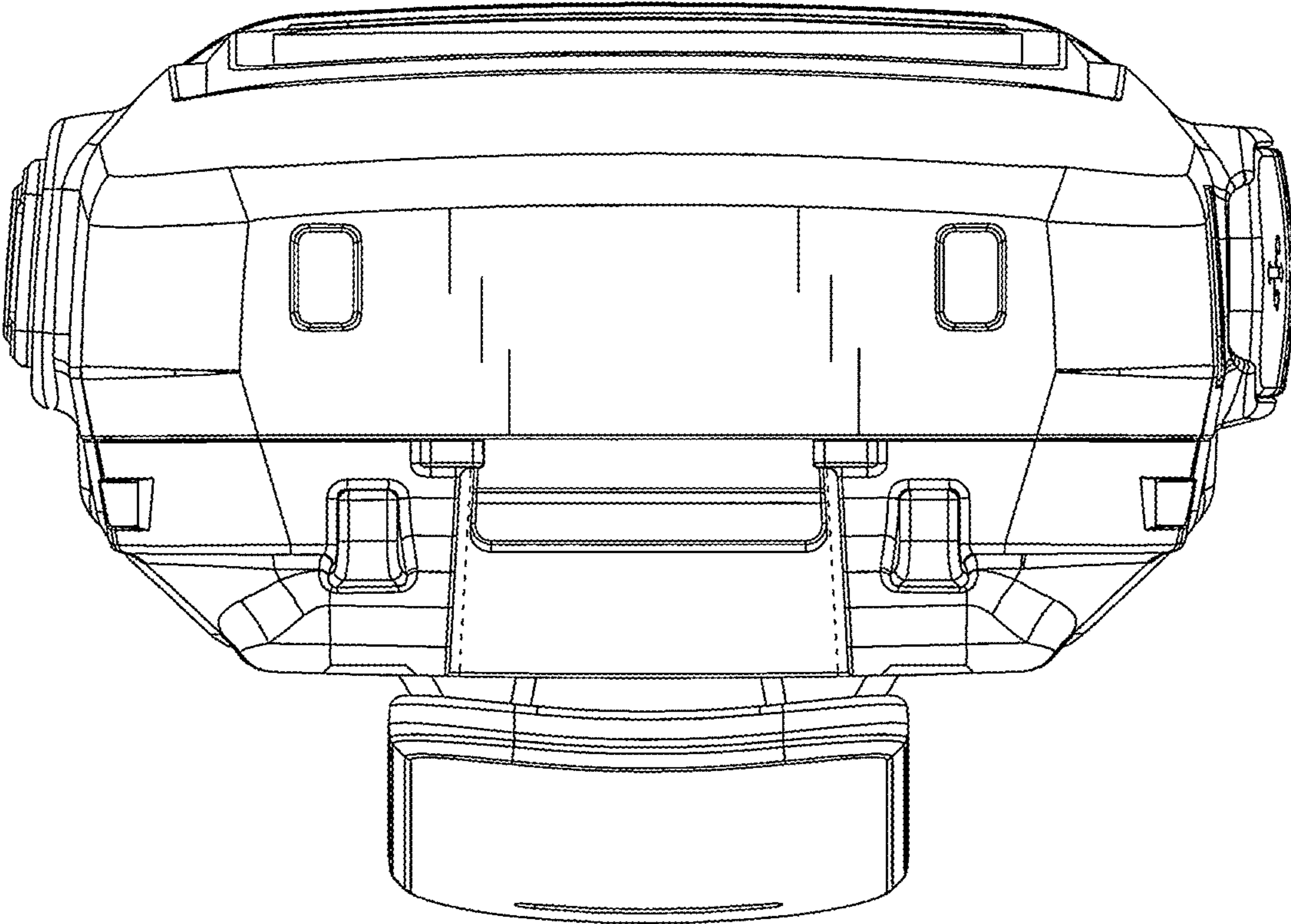


FIG. 6



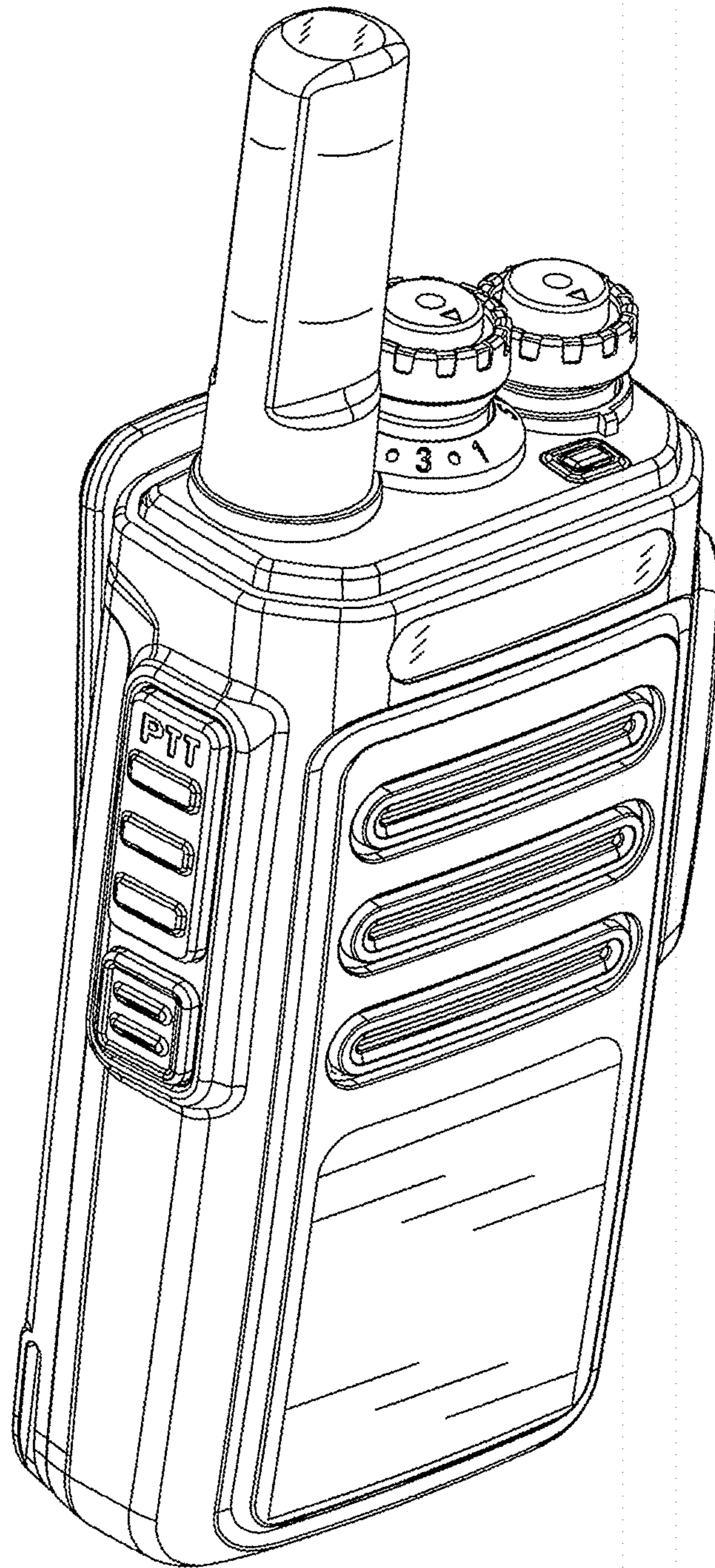


FIG. 7

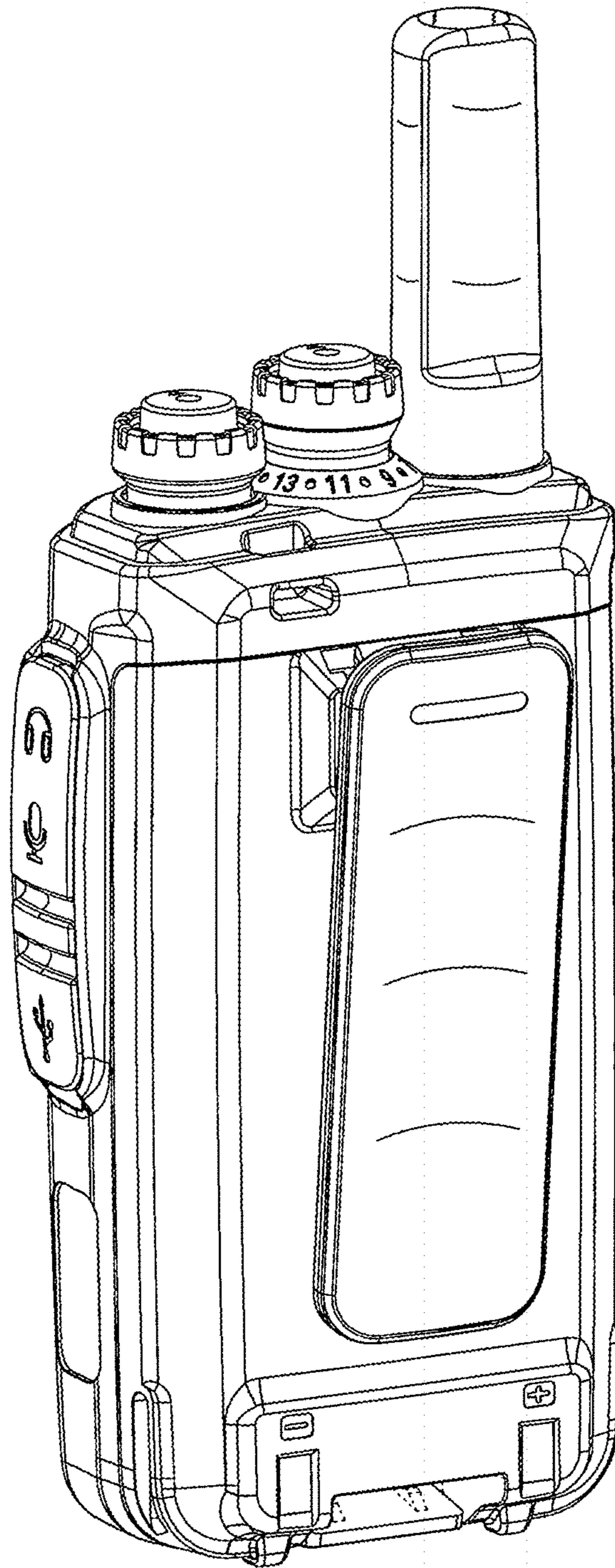


FIG. 8

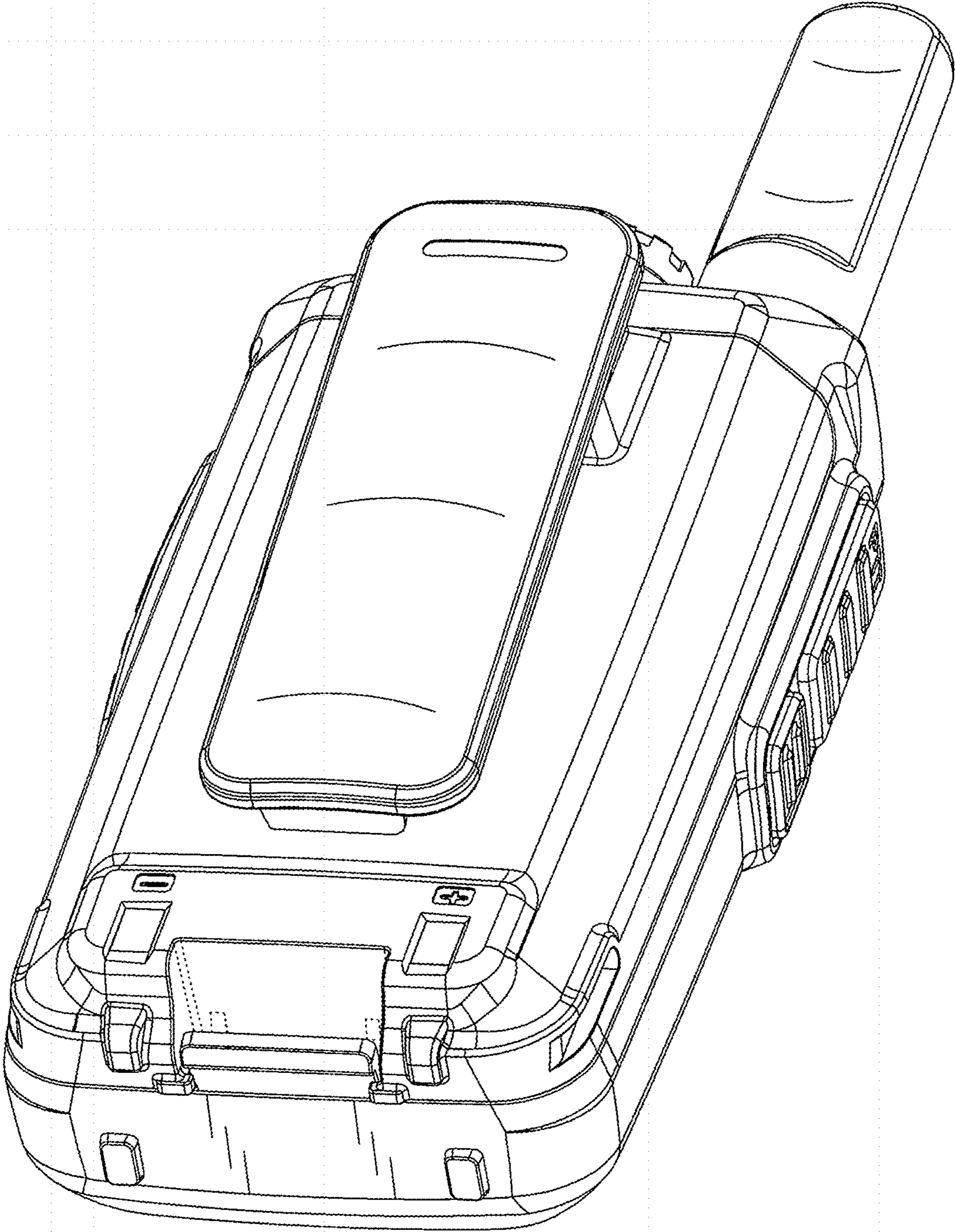


FIG. 9

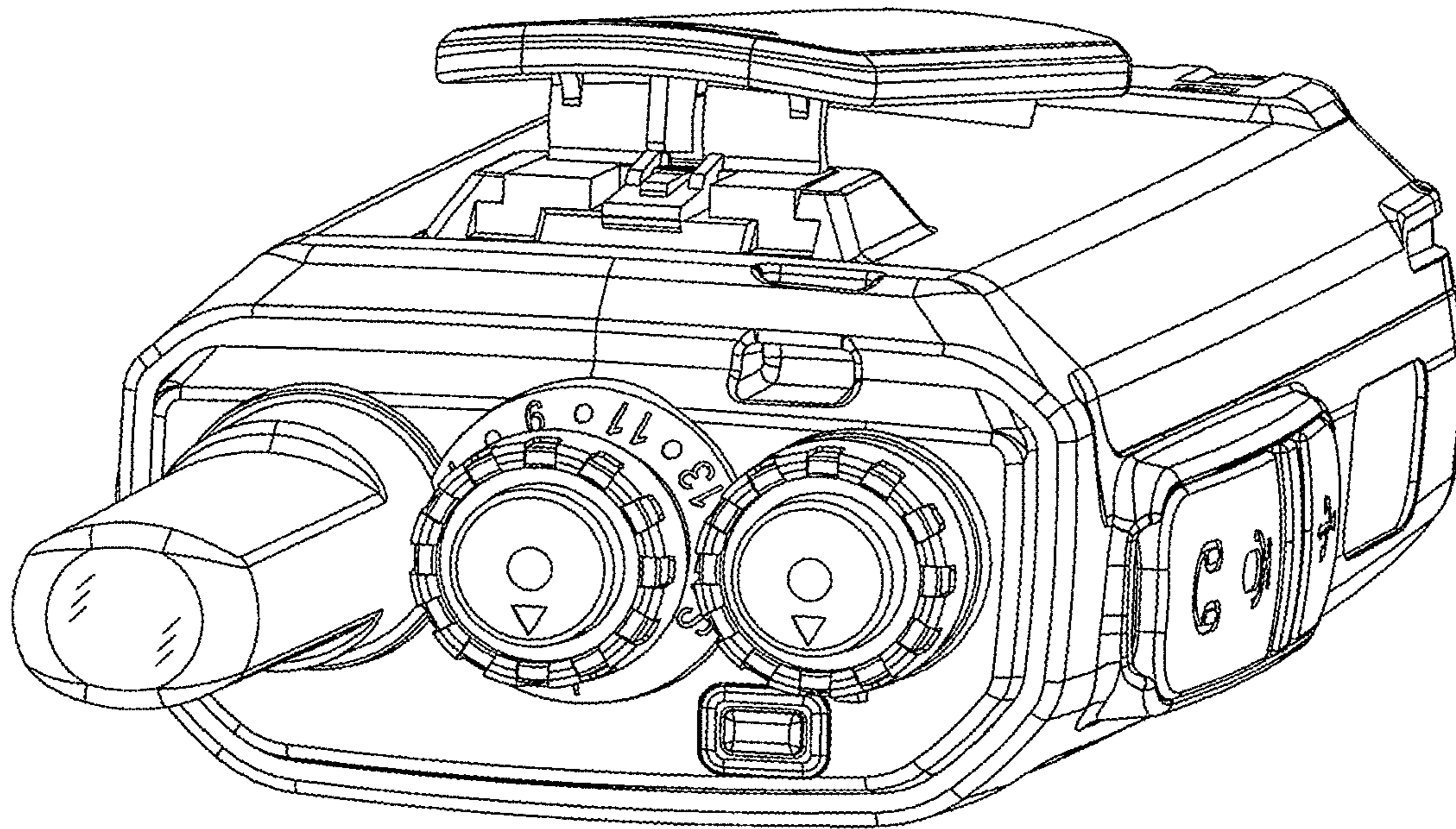


FIG. 10