



US00D954010S

(12) **United States Design Patent**
Lee et al.

(10) **Patent No.:** **US D954,010 S**
(45) **Date of Patent:** **** *Jun. 7, 2022**

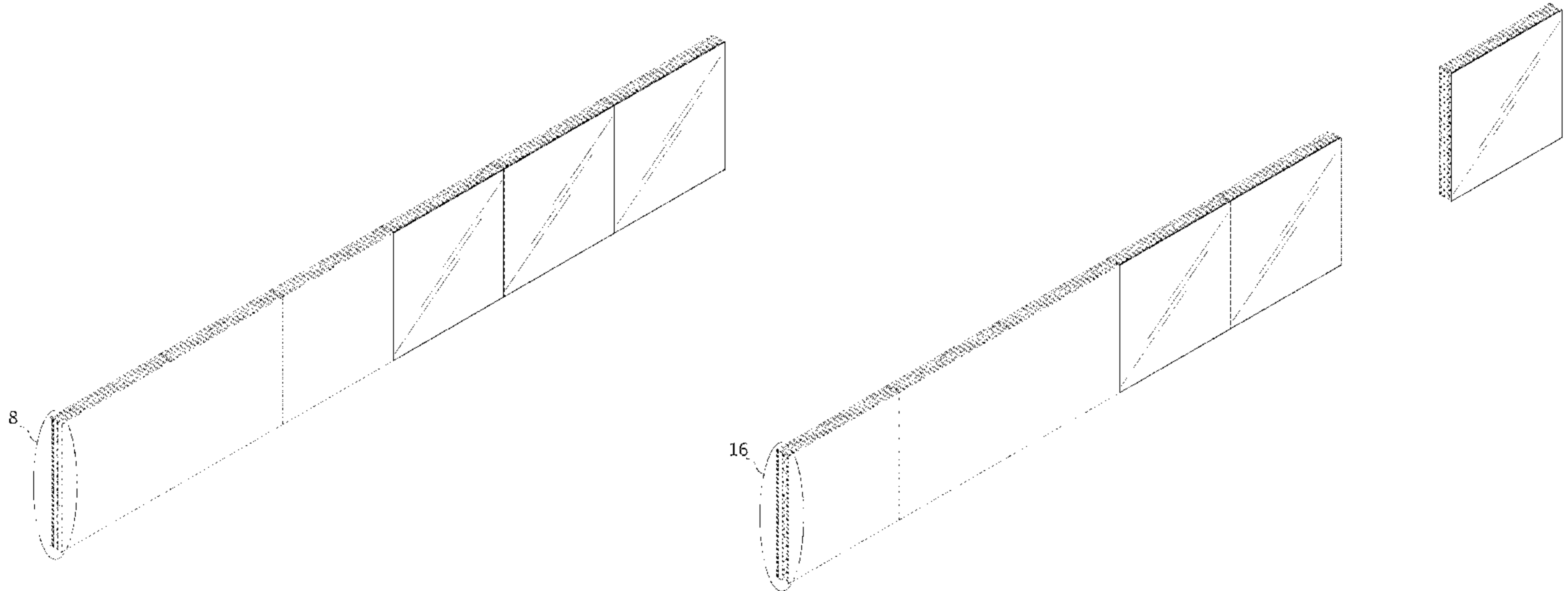
- (54) **MODULAR DISPLAY**
- (71) Applicant: **Samsung Electronics Co., Ltd.**,
Suwon-si (KR)
- (72) Inventors: **Jaeneung Lee**, Suwon-si (KR); **Jin-Su Park**, Suwon-si (KR); **Chul-Yong Cho**,
Suwon-si (KR)
- (73) Assignee: **Samsung Electronics Co., Ltd.**,
Suwon-si (KR)
- (*) Notice: This patent is subject to a terminal disclaimer.
- (**) Term: **15 Years**
- (21) Appl. No.: **29/697,028**
- (22) Filed: **Jul. 3, 2019**
- (30) **Foreign Application Priority Data**
Jan. 4, 2019 (KR) 30-2019-0000631
- (51) **LOC (13) Cl.** **14-03**
- (52) **U.S. Cl.**
USPC **D14/127**; D14/126; D14/239
- (58) **Field of Classification Search**
USPC D14/125, 126, 127-137, 138 AA,
D14/138 AB, 138 AC, 138 AD, 138 C,
D14/138 G, 138 R, 147, 203.3-203.8,
D14/218, 239, 240, 247, 248, 315-318,
D14/341-347, 371, 374, 388-389, 420,
D14/426, 496; D13/101, 183; D25/103,
D25/138, 140-144
CPC G06F 1/1613; G06F 1/1626; G06F 3/0488;
G06F 3/04886; H04M 1/725; H04M
1/0202; H04M 1/0266
See application file for complete search history.

(56) **References Cited**

U.S. PATENT DOCUMENTS

- 2,914,872 A * 12/1959 Goodrich A47B 97/00
40/124
- 4,526,845 A * 7/1985 Reiser H01M 8/2404
429/478
- 4,719,735 A * 1/1988 Fleming, Jr. E04C 1/42
52/306

- 4,818,639 A * 4/1989 Kunz H01M 8/244
429/472
- 4,852,321 A * 8/1989 Fleming, Jr. E04C 1/42
52/306
- 5,235,168 A * 8/1993 Bobba G06K 7/10831
235/462.43
- 5,485,702 A * 1/1996 Sholton E04C 1/42
52/307
- 5,515,900 A * 5/1996 West A47G 5/00
160/135
- D399,693 S * 10/1998 Vreeland D6/580
- D495,063 S * 8/2004 Barnard D25/103
- D529,627 S * 10/2006 Yu D25/103
- D599,761 S * 9/2009 Birsal D14/138 AB
- D612,074 S * 3/2010 Krantz-Lilienthal D25/140
- D670,406 S * 11/2012 Waters D25/138
- D679,838 S * 4/2013 Amend D25/163
- 9,081,552 B1 * 7/2015 Hall H05K 7/20136
- D750,173 S * 2/2016 Chen D20/10
- D771,279 S * 11/2016 Kilian D25/138
- D771,280 S * 11/2016 Kilian D25/138
- D777,900 S * 1/2017 Esposito D23/393
- D784,938 S * 4/2017 Wang D13/183
- D786,811 S 5/2017 Zheng et al.
- D804,712 S 12/2017 Cai et al.
- D816,814 S * 5/2018 Shtraks D23/305
- D816,815 S * 5/2018 Lieb D23/305
- D816,818 S * 5/2018 Lieb D23/305
- D846,028 S * 4/2019 Svihilik D20/42
- 10,273,994 B1 * 4/2019 Foster G09F 9/3026
- 10,334,969 B1 * 7/2019 Roan A47F 7/0014
- D907,255 S * 1/2021 Barnds D25/138
- D907,256 S * 1/2021 Barnds D25/138
- D907,811 S * 1/2021 Barnds D25/138
- D930,630 S * 9/2021 Lee D14/239
- D930,631 S * 9/2021 Lee D14/239
- D930,632 S * 9/2021 Lee D14/239
- D931,262 S * 9/2021 Lee D14/239
- D931,263 S * 9/2021 Lee D14/239
- 2002/0180763 A1 * 12/2002 Kung G06F 3/0488
345/660
- 2005/0195344 A1 * 9/2005 Chang H04M 1/0245
349/114
- 2008/0068288 A1 * 3/2008 Henkel G06F 1/1641
345/1.3
- 2010/0159160 A1 * 6/2010 Basile G09F 15/0068
428/14
- 2011/0222221 A1 * 9/2011 Hsu F16M 11/22
361/679.01
- 2013/0265177 A1 * 10/2013 Berger G01C 23/00
340/945



2016/0073794 A1* 3/2016 Martell A47B 87/008
223/66
2017/0345350 A1* 11/2017 Topousis G09F 7/18
2019/0384560 A1* 12/2019 Seo H05K 5/0017
2020/0225903 A1* 7/2020 Cohen G06F 3/1446

FOREIGN PATENT DOCUMENTS

CN 201930352612.0 * 3/2020
CN 201930352853.5 * 3/2020
EM 002134205-0003 * 11/2012
EM 002883066-0001 12/2015
EM 003141100-0001 5/2016
EM 003566926-0001 1/2017
GB 6067193 * 8/2019
KR 3020190000631 * 9/2019
KR 3020190000634 * 9/2019
KR 3020180052946 * 2/2020

OTHER PUBLICATIONS

4 Piece Decorative Wall Self Adhesive Modern Mirror Set, review date Jul. 12, 2019, [retrieved Oct. 17, 2020], Retrieved from Internet, URL: <<https://www.wayfair.com/decor-pillows/pdp/evideco-4-piece-decorative-wall-self-adhesive-modern-mirror-set-edde2552.html?piid=40234283>> (Year: 2019).*

Infinity Brass 31" Square Wall Mirror, review date Feb. 2020, [retrieved Oct. 17, 2020], Retrieved from Internet, URL: <<https://www.cb2.com/infinity-brass-31-square-wall-mirror/s507995?localedetail=US&a=501&campaignid=10363910342&adgroupid=103409810379&ta%E2%80%A6>> (Year: 2020).*

Lots, review date May 5, 2017, [retrieved Oct. 17, 2020], Retrieved from Internet, URL: <<https://www.ikea.com/us/en/p/lots-mirror-39151700/>> (Year: 2017).*

Samsung Unveils Future of Displays, Jan. 6, 2019, [retrieved Mar. 4, 2021], Retrieved from Internet, URL: <<https://news.samsung.com/us/samsung-unveils-modular-micro-led-technology-ces-2019/>> (Year: 2019).*

Samsung's Moving Modular Display Concept TV LED Tiles at CES 2016, Jan. 8, 2016, [retrieved Mar. 4, 2021], Retrieved from Internet, URL: <https://www.youtube.com/watch?v=Dn2_12qAzrA> (Year: 2016).*

Samsung's Modular TV Concept, date not available, [retrieved Mar. 4, 2021], Retrieved from Internet, URL: <<https://techopti.com/samsungs-modular-tv-concept/>> (Year: 2021).*

Crystal LED Display System, Jun. 9, 2017, [retrieved Mar. 4, 2021], Retrieved from Internet, URL: <<https://www.youtube.com/watch?v=KDJMk6jK7ug>> (Year: 2017).*

View of Tokyo racecourses . . . , date taken: Apr. 22, 2018, [retrieved Mar. 13, 2021], Retrieved from Internet, URL: <<https://www.alamy.com/view-of-tokyo-racecourses-with-one-of-the-worlds-largest-video-screen-showing-racecourses-in-minute-details-japan-tokyo-22-of-april-image224452314.html>> (Year: 2018).*

Samsung Electronics Unveils Concept of TV's Future at CES 2016, Jan. 7, 2016, [retrieved Mar. 13, 2021], Retrieved from Internet, URL: <<https://news.samsung.com/us/samsung-electronics-unveils-concept-of-tvs-future-at-ces-2016/>> (Year: 2016).*

Samsung modular TV at CES 2016, Jan. 6, 2016, [retrieved Mar. 13, 2021], Retrieved from Internet, URL: <<https://www.youtube.com/watch?v=yG2NAWdjKul>> (Year: 2016).*

"E Series" [2019] www.focono.com Jul. 2, 2019 <https://www.focono.com/ledxs/info_12.aspx?itemid=1825>.

"LED P4/P5/P6.66/P8/P10 Outdoor Display" [2019] www.cetechusa.com Jul. 2, 2019 <<http://www.cetechusa.com/product/147.html>>.

Flynn, Conner. "Samsung announces LED square display." [2012] www.geeky-gadgets.com Aug. 27, 2012 <<https://www.geeky-gadgets.com/samsung-announces-led-square-display-27-08-2012/>>.

"Hello World!" [2014] www.blog.naver.com Mar. 28, 2014 <<https://blog.naver.com/helloworld0x/150187718808>>.

* cited by examiner

Primary Examiner — Barbara Fox
Assistant Examiner — Aram Kwon
(74) Attorney, Agent, or Firm — NSIP Law

(57) CLAIM

We claim the ornamental design for a modular display, as shown and described.

DESCRIPTION

FIG. 1 is a front perspective view of a modular display showing our new design;
FIG. 2 is a front view thereof;
FIG. 3 is a rear view thereof;
FIG. 4 is a left-side view thereof;
FIG. 5 is a right-side view thereof;
FIG. 6 is a top view thereof;
FIG. 7 is a bottom view thereof; and,
FIG. 8 is an enlarged view of the encircled portion in FIG. 1;
FIG. 9 is an enlarged view of the encircled portion in FIG. 6;
FIG. 10 is a front view thereof illustrating an example state of use, in which the display feature is turned on and contents are displayed thereon;
FIG. 11 is a front perspective view thereof where the modular display is shown in an alternate position;
FIG. 12 is a front perspective view thereof;
FIG. 13 is a front view thereof illustrating an example state of use, in which the display feature is turned on and contents are displayed thereon;
FIG. 14 is a front view thereof where the modular display showing our new design in an alternate environment;
FIG. 15 is a front view thereof where the modular display is shown in an alternate position; and,
FIG. 16 is an enlarged view of the encircled portion in FIG. 11.

The broken lines in the figures depicting portions of the modular display form no part of the claimed design. The dot-dot-dash broken lines encircling portions of the claimed design that are illustrated in enlargements form no part of the claimed design.

It is a principle feature of the modular display design that the article is comprised of several units, and that any unit may be separated from the combined state. Although lines between each unit may be visible when the display screen is turned off, those lines are not visible when the display screen is turned on, as shown in FIGS. 10 and 13, because of the brightness of the screen during its intended use.

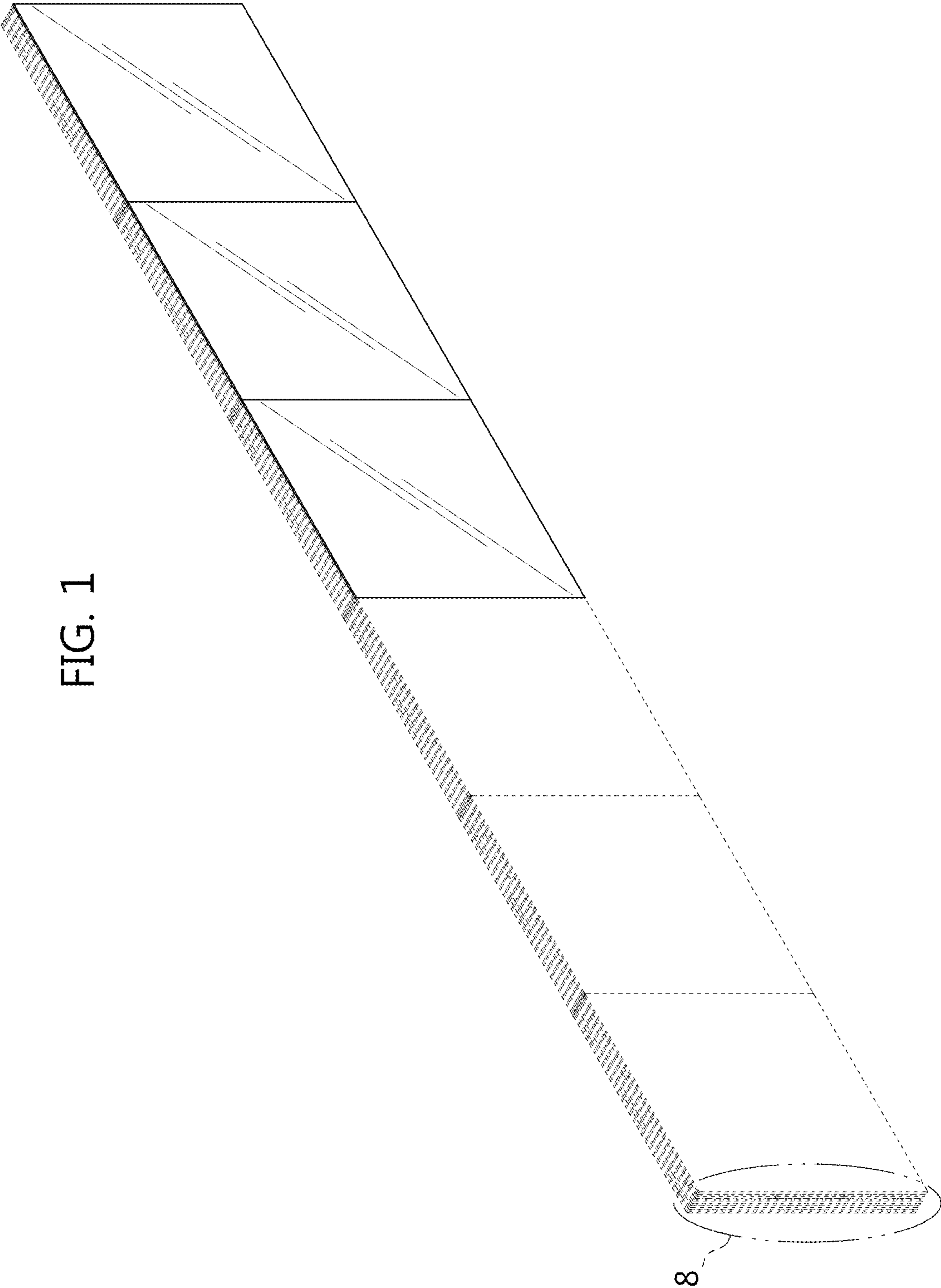


FIG. 2

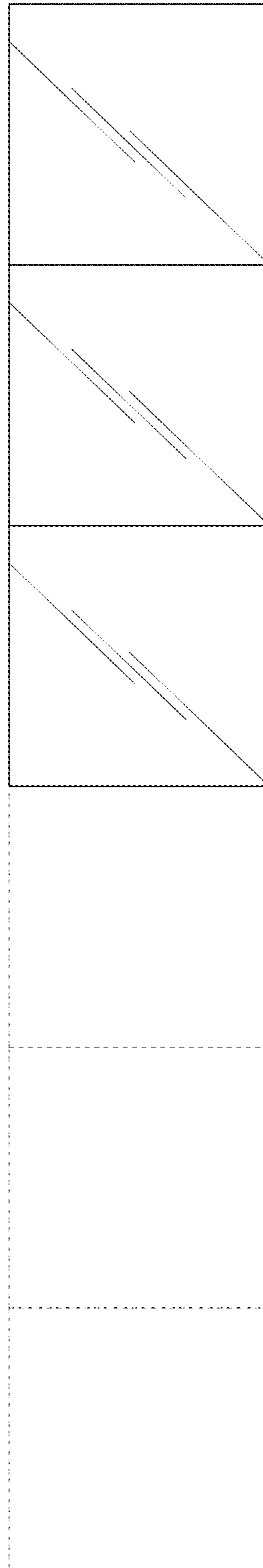


FIG. 3

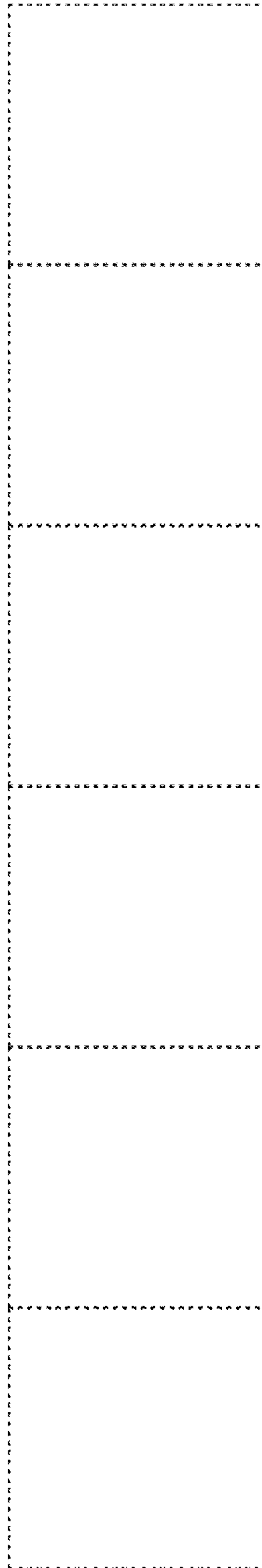


FIG. 4

1000000
1000001
1000010
1000011
1000100
1000101
1000110
1000111
1001000
1001001
1001010
1001011
1001100
1001101
1001110
1001111
1010000
1010001
1010010
1010011
1010100
1010101
1010110
1010111
1011000
1011001
1011010
1011011
1011100
1011101
1011110
1011111
1100000
1100001
1100010
1100011
1100100
1100101
1100110
1100111
1101000
1101001
1101010
1101011
1101100
1101101
1101110
1101111
1110000
1110001
1110010
1110011
1110100
1110101
1110110
1110111
1111000
1111001
1111010
1111011
1111100
1111101
1111110
1111111

FIG. 5

1000000
1000001
1000010
1000011
1000100
1000101
1000110
1000111
1001000
1001001
1001010
1001011
1001100
1001101
1001110
1001111
1010000
1010001
1010010
1010011
1010100
1010101
1010110
1010111
1011000
1011001
1011010
1011011
1011100
1011101
1011110
1011111
1100000
1100001
1100010
1100011
1100100
1100101
1100110
1100111
1101000
1101001
1101010
1101011
1101100
1101101
1101110
1101111
1110000
1110001
1110010
1110011
1110100
1110101
1110110
1110111
1111000
1111001
1111010
1111011
1111100
1111101
1111110
1111111

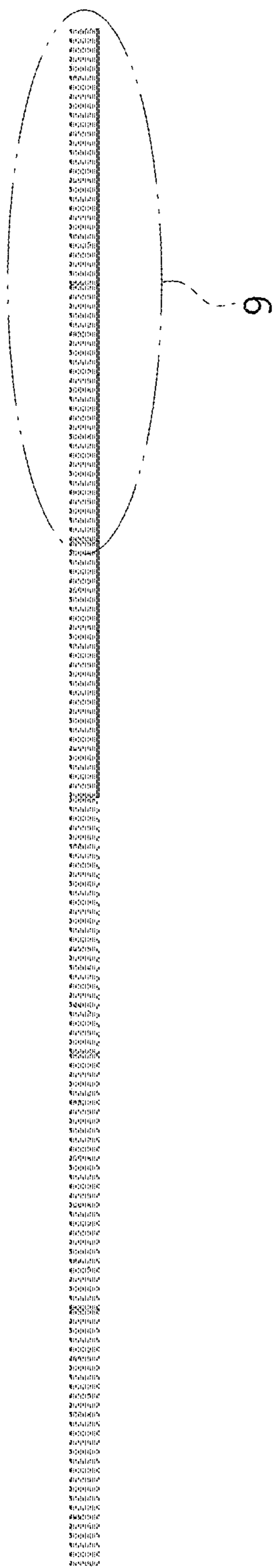


FIG. 6



FIG. 7

FIG. 8

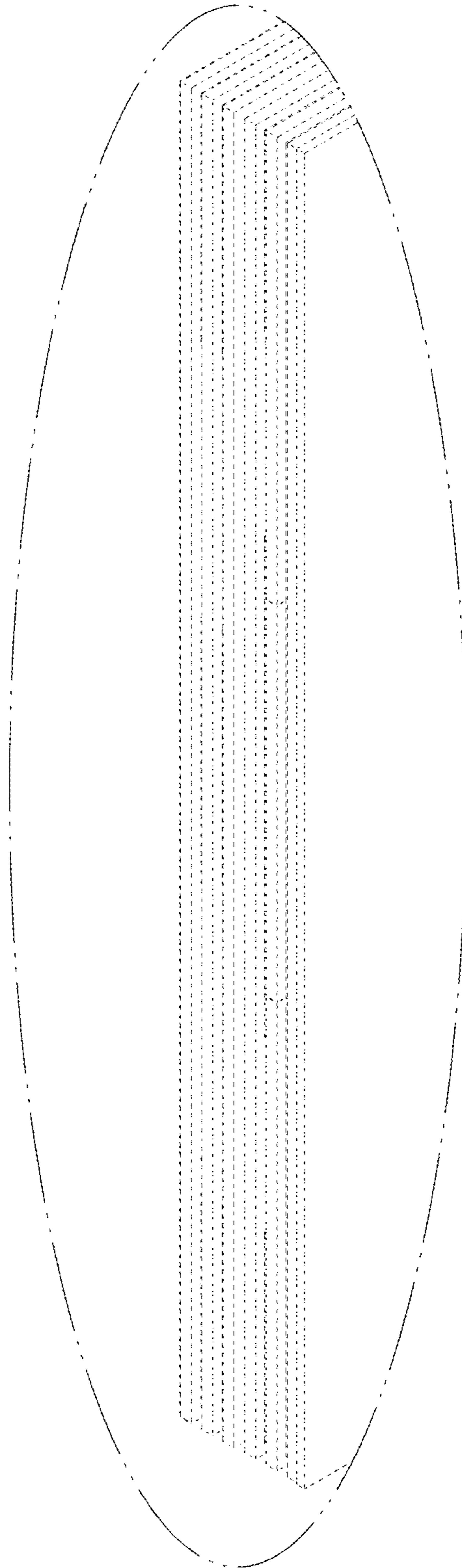


FIG. 9

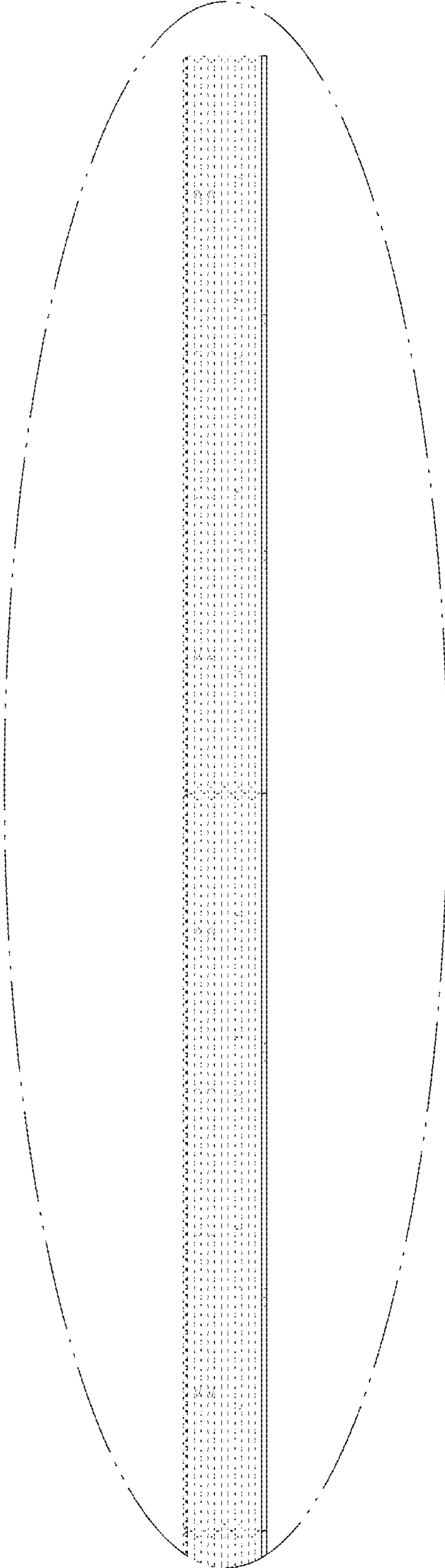
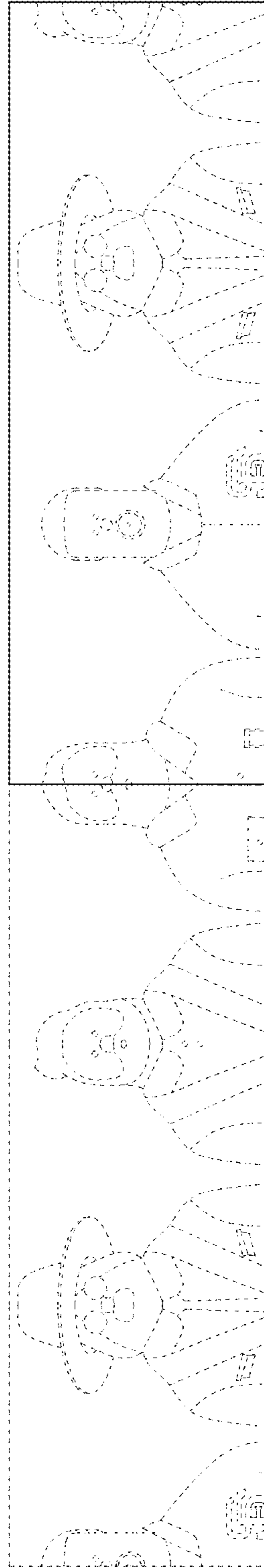


FIG. 10



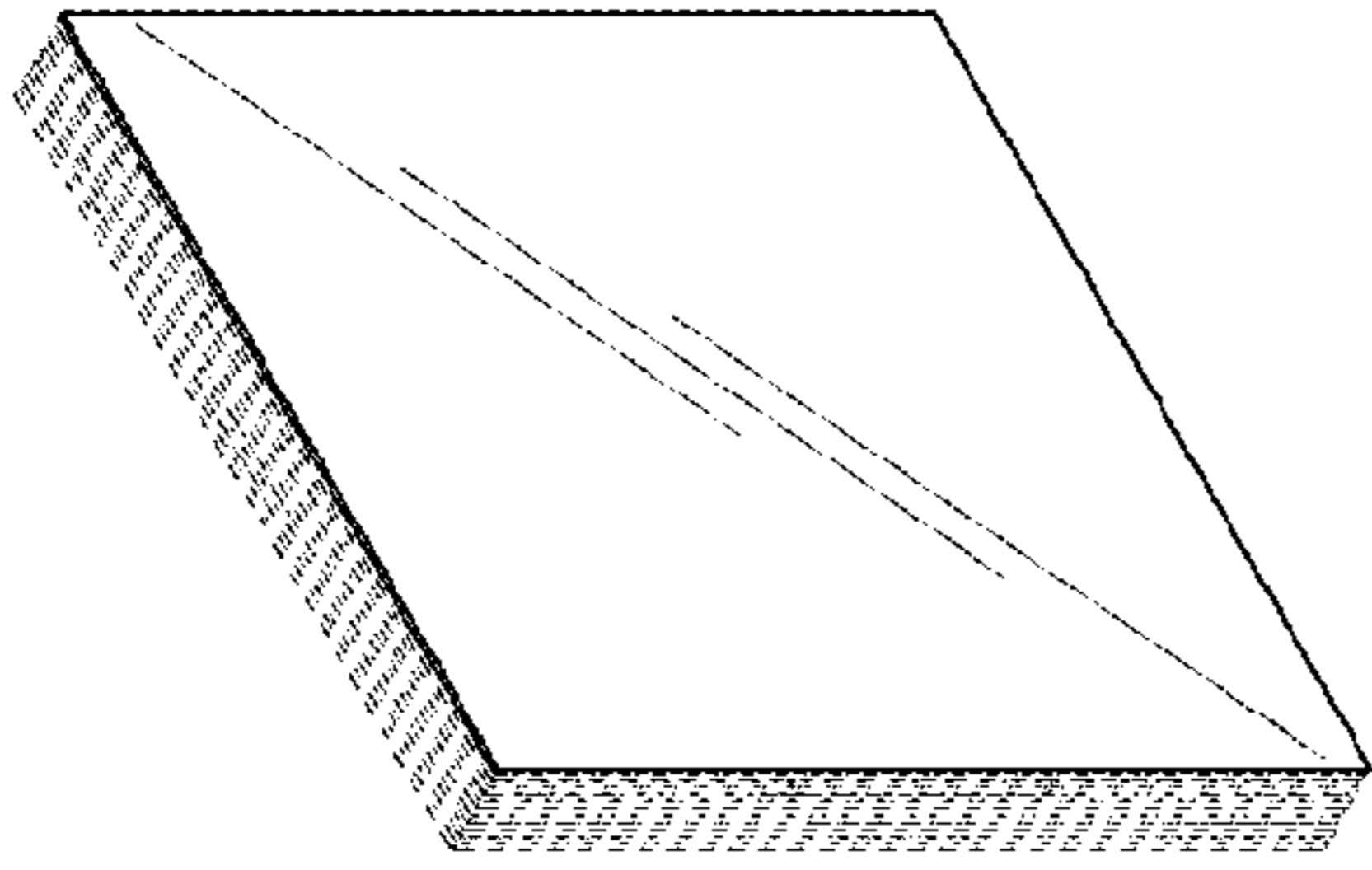
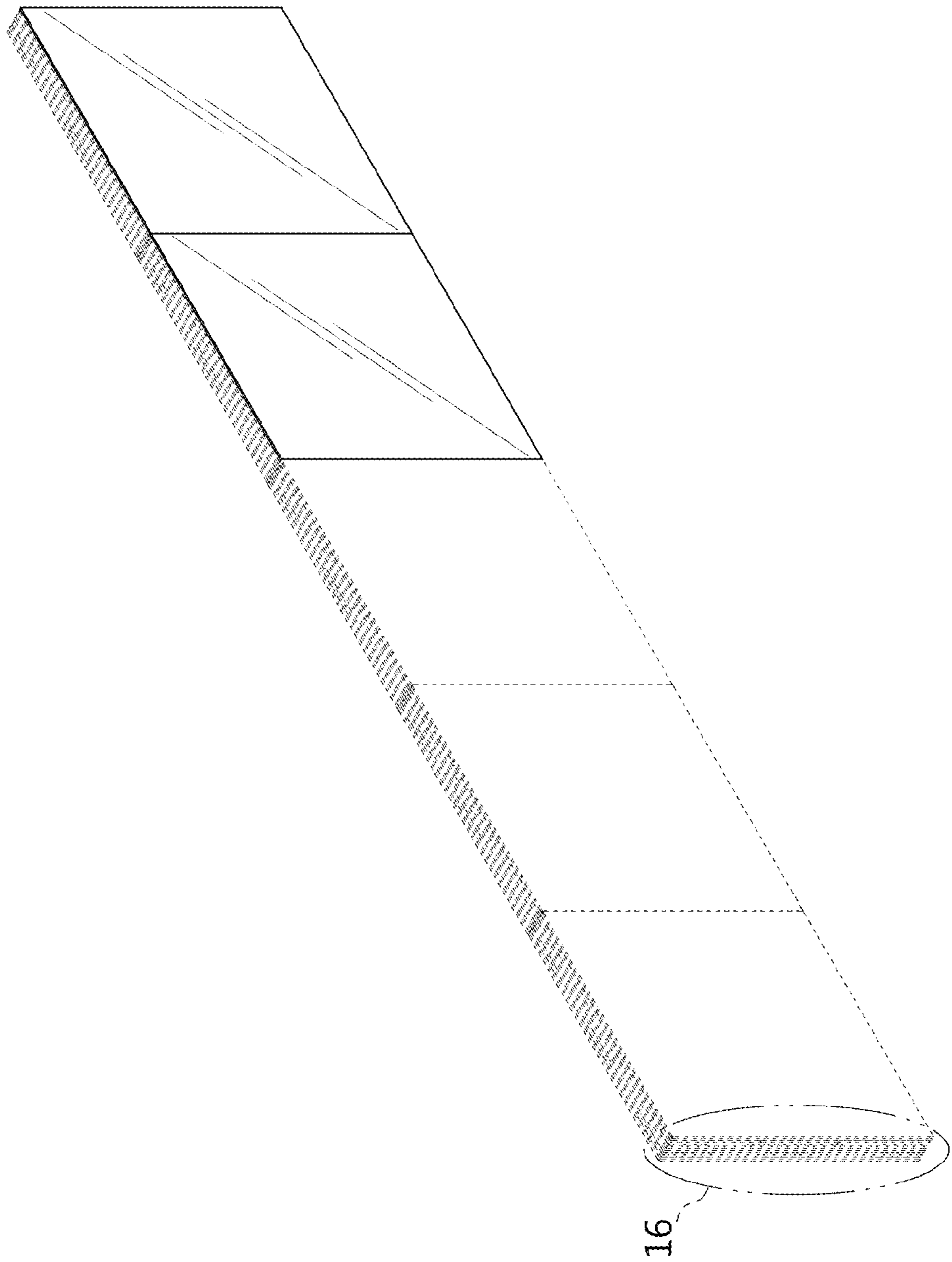


FIG. 11



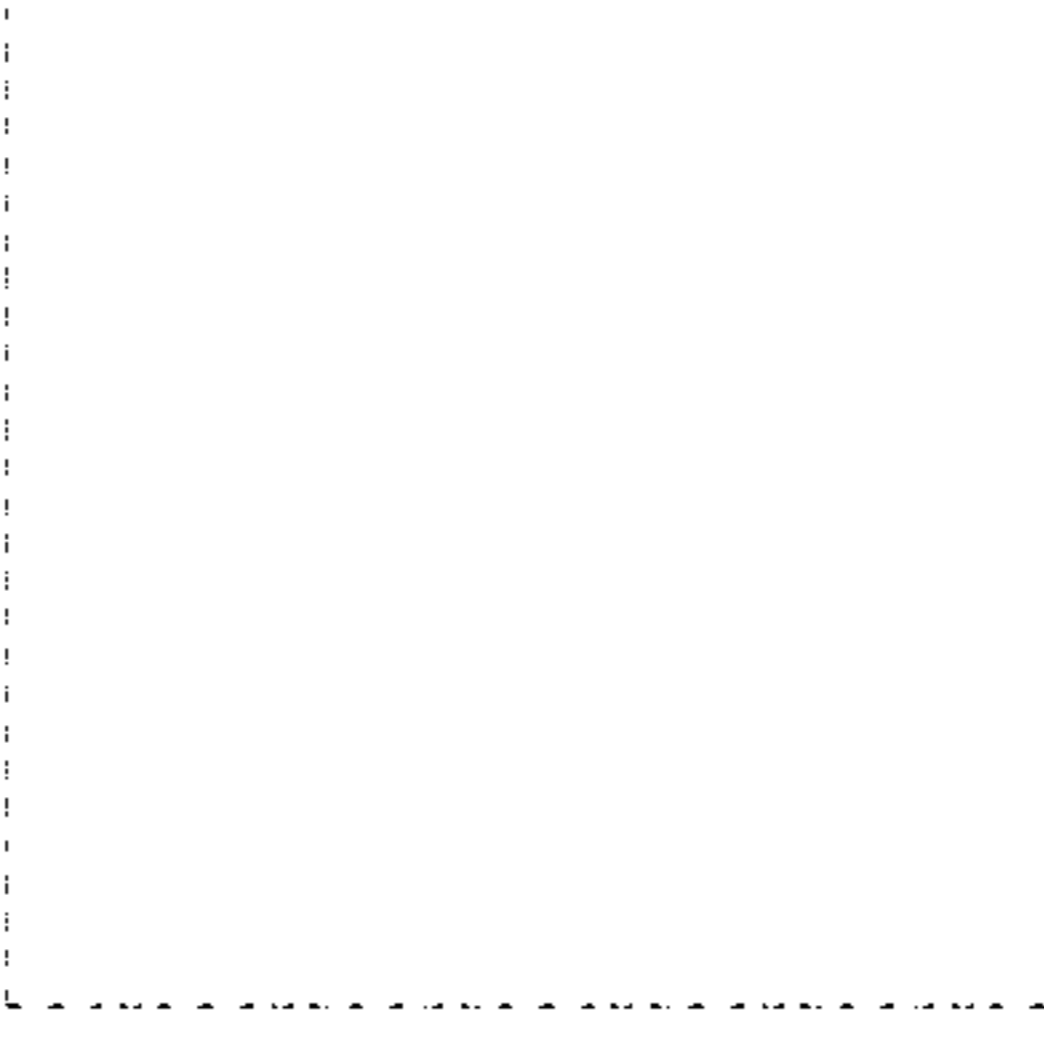
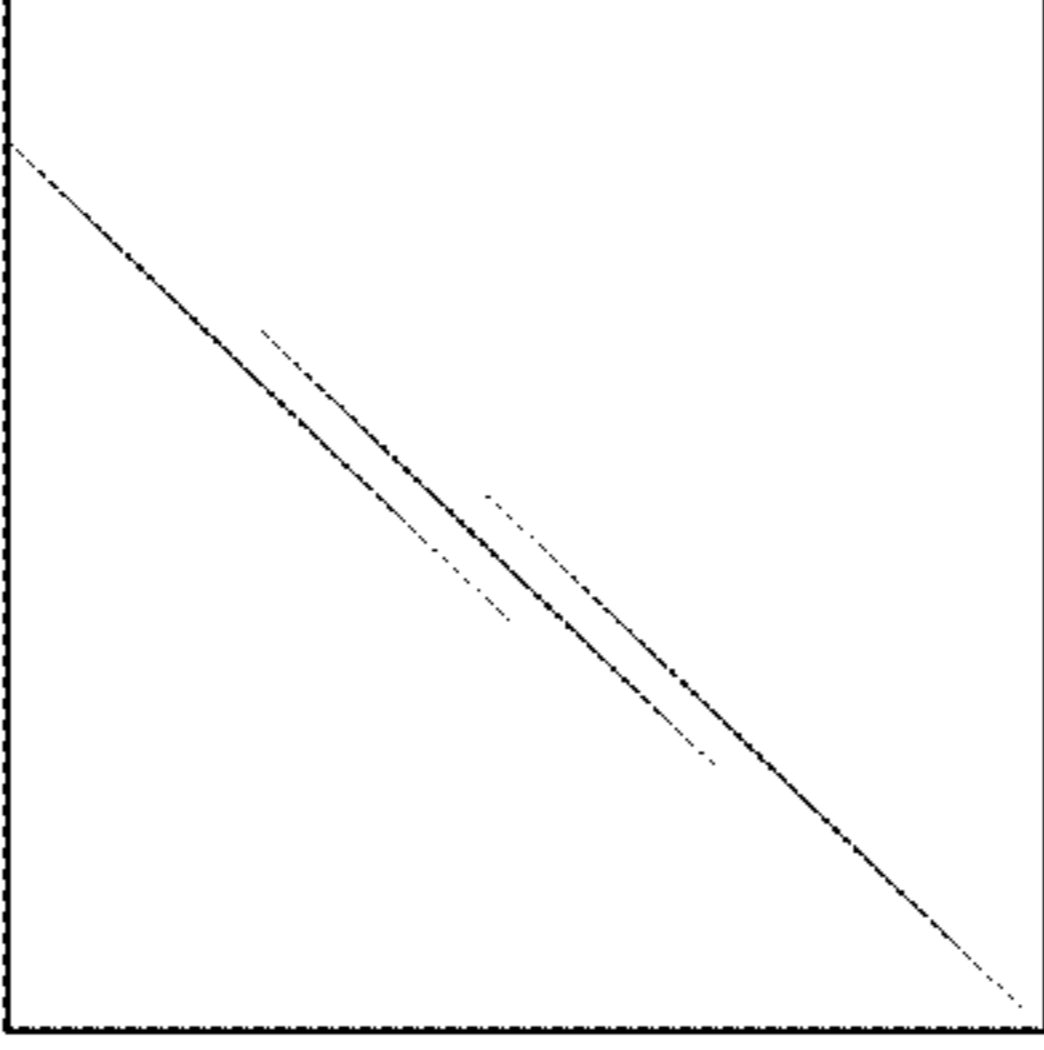
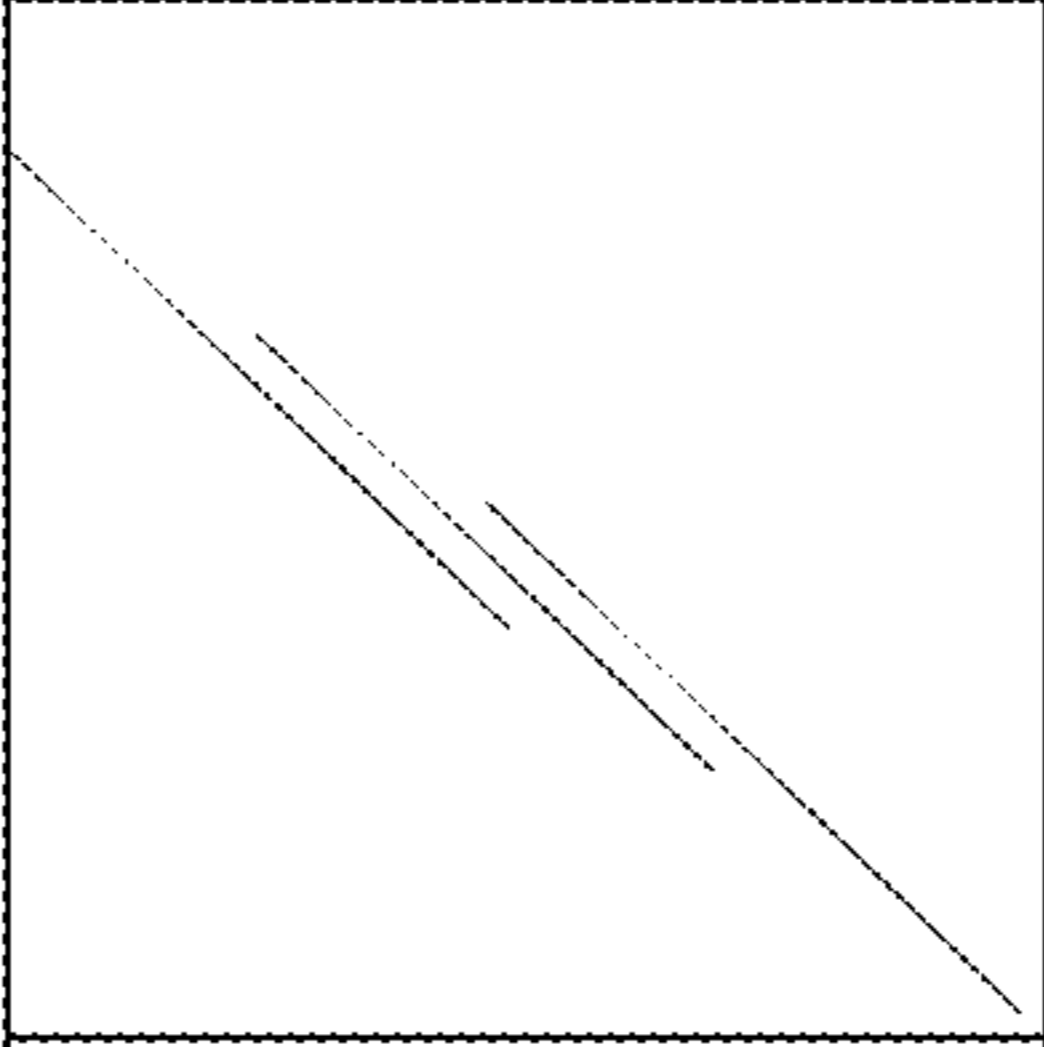
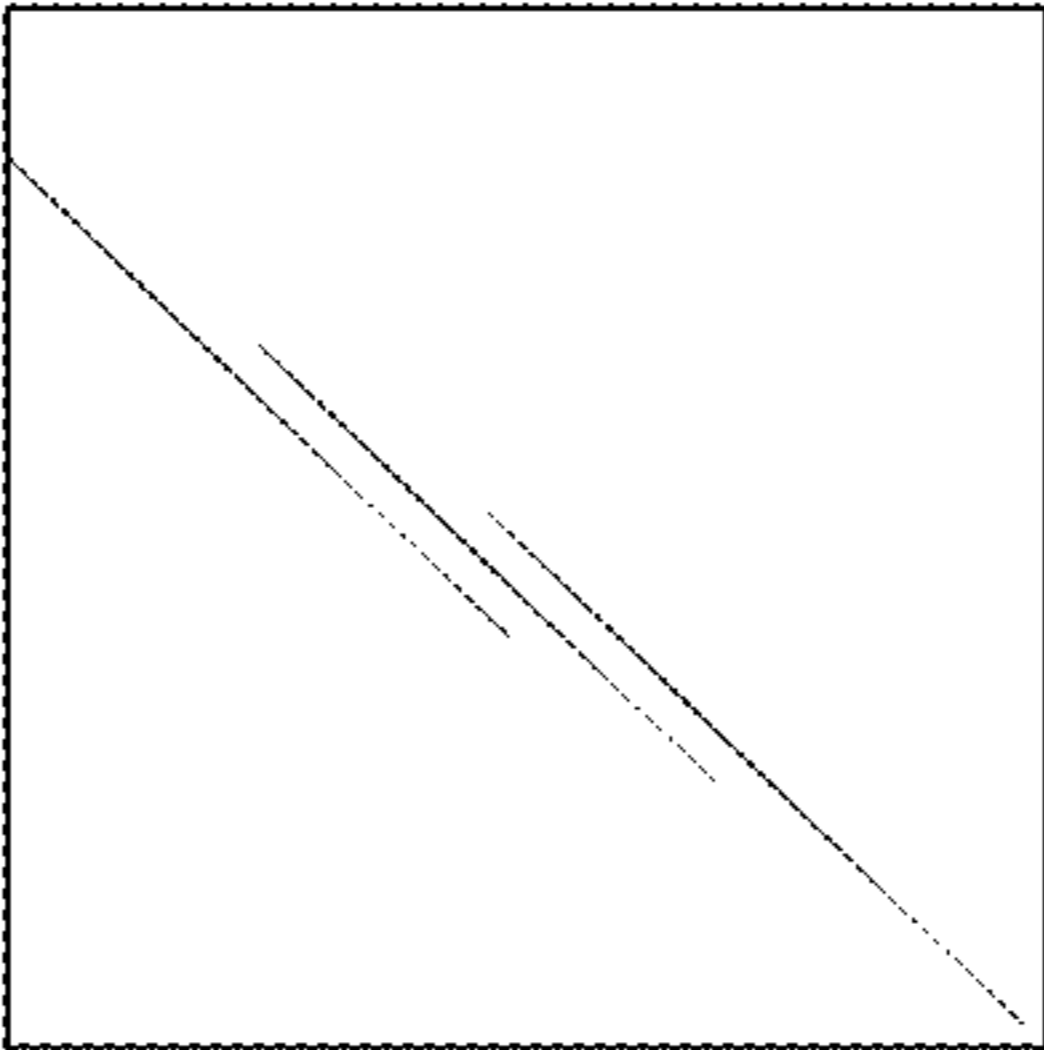


FIG. 12

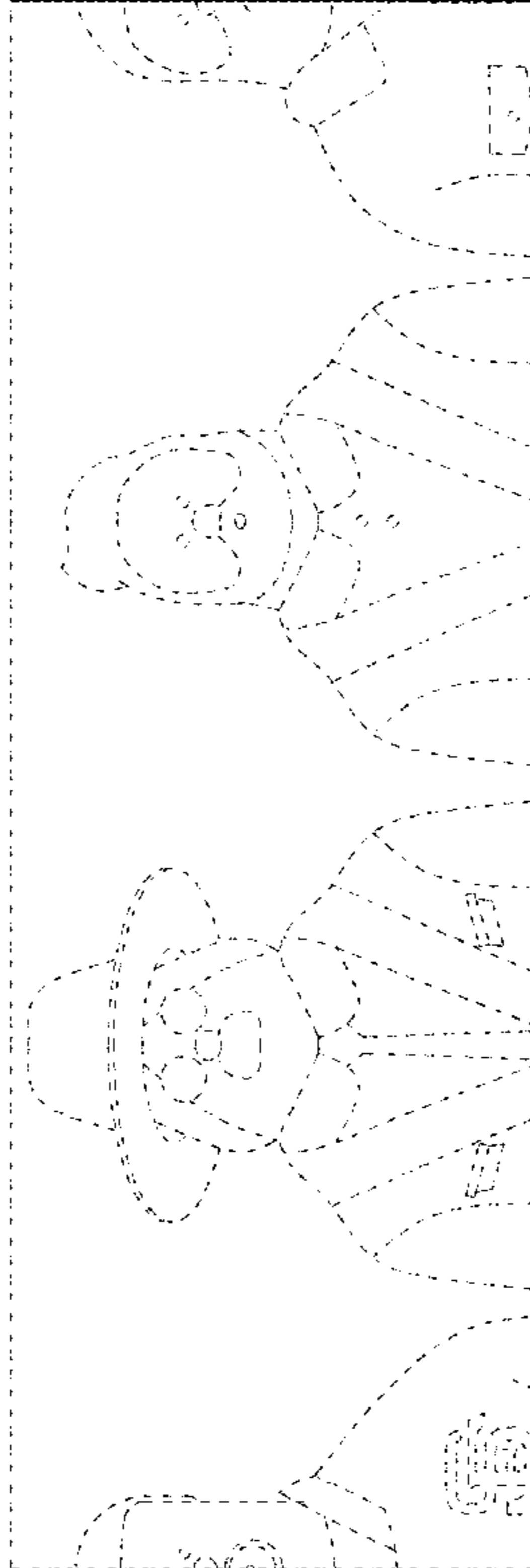
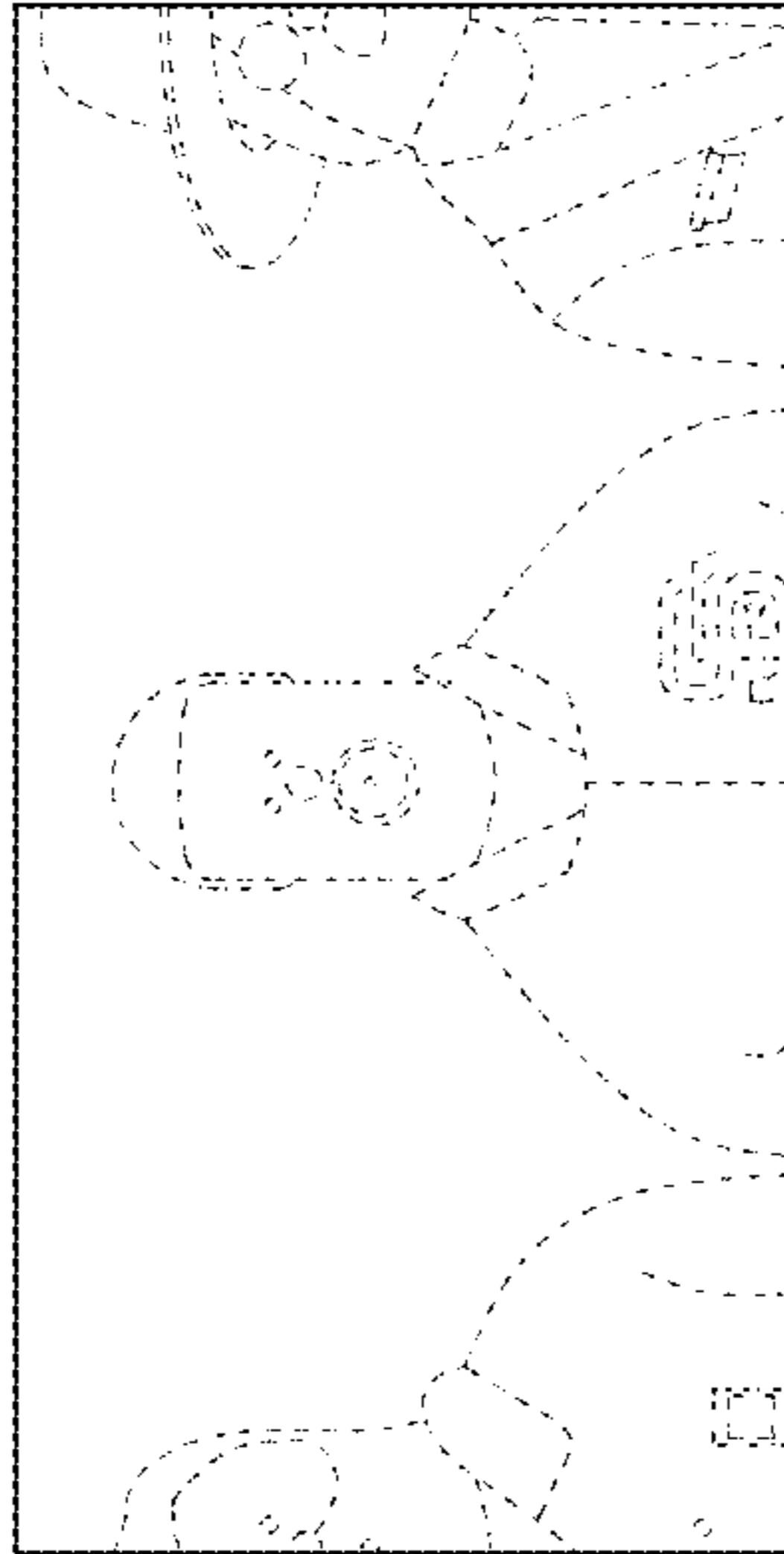
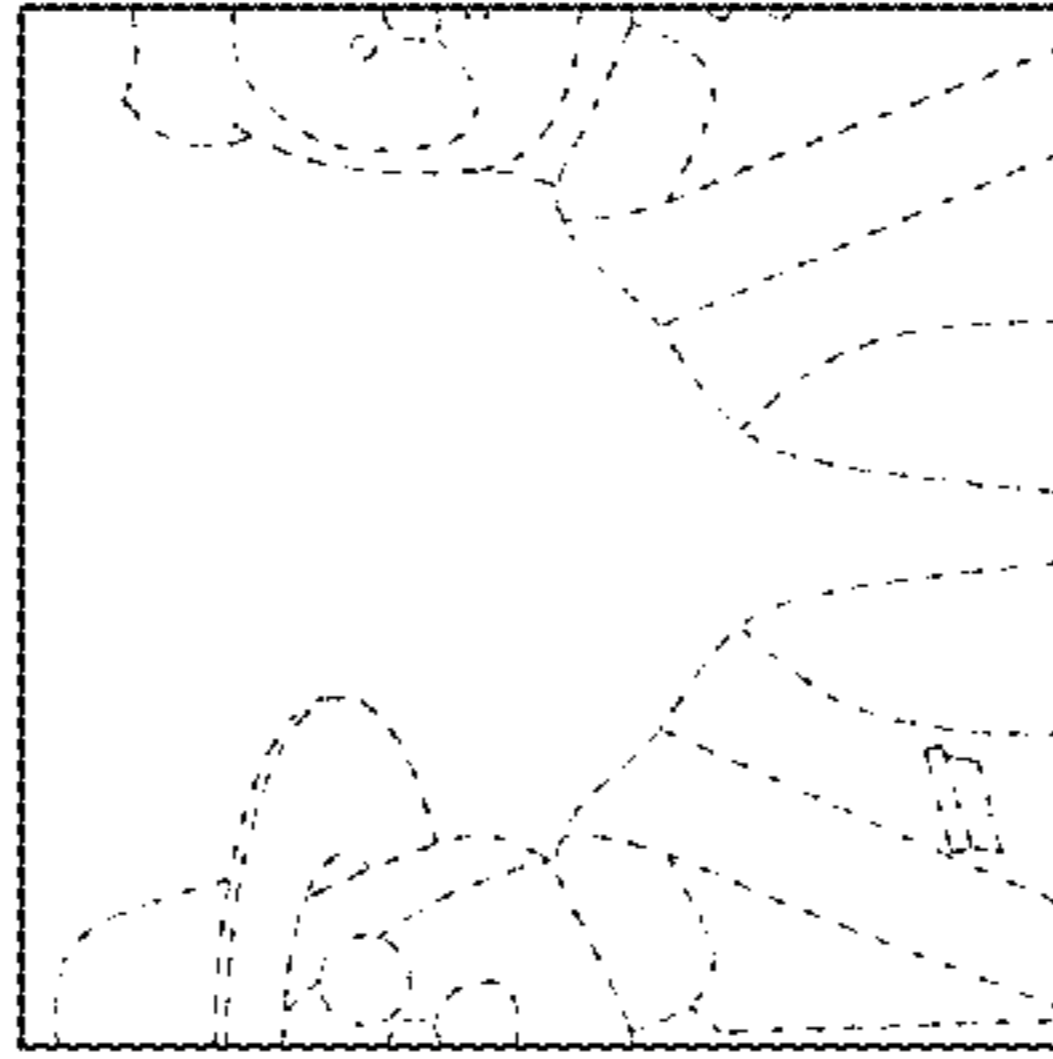
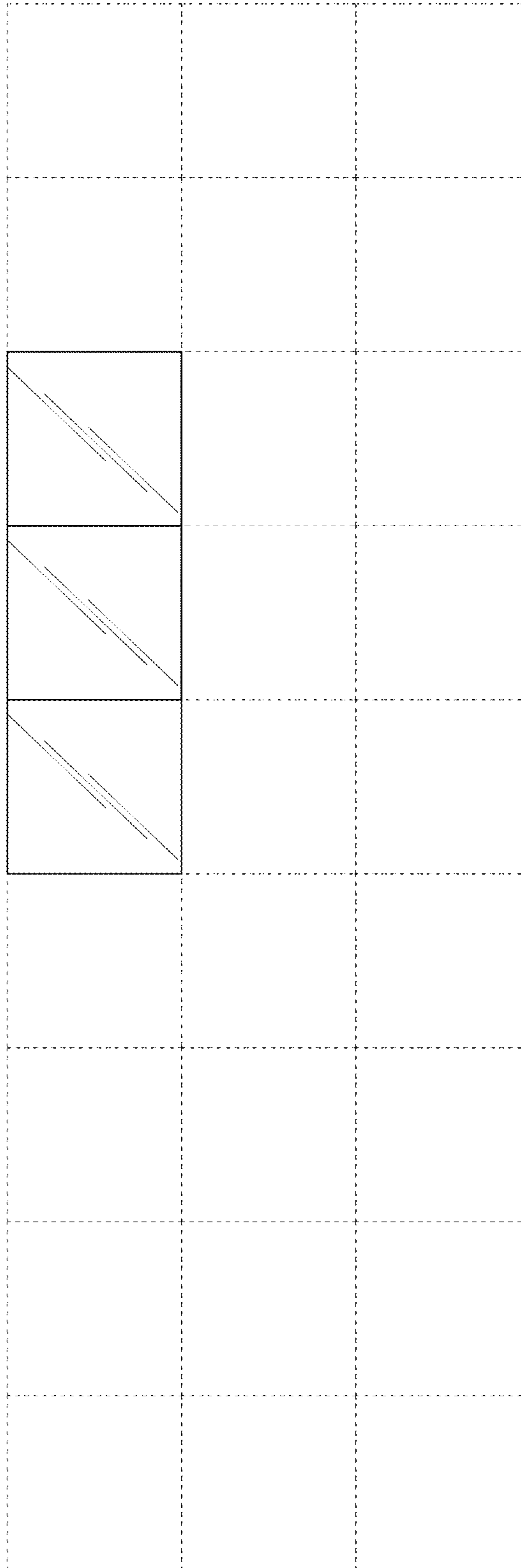


FIG. 13

FIG. 14



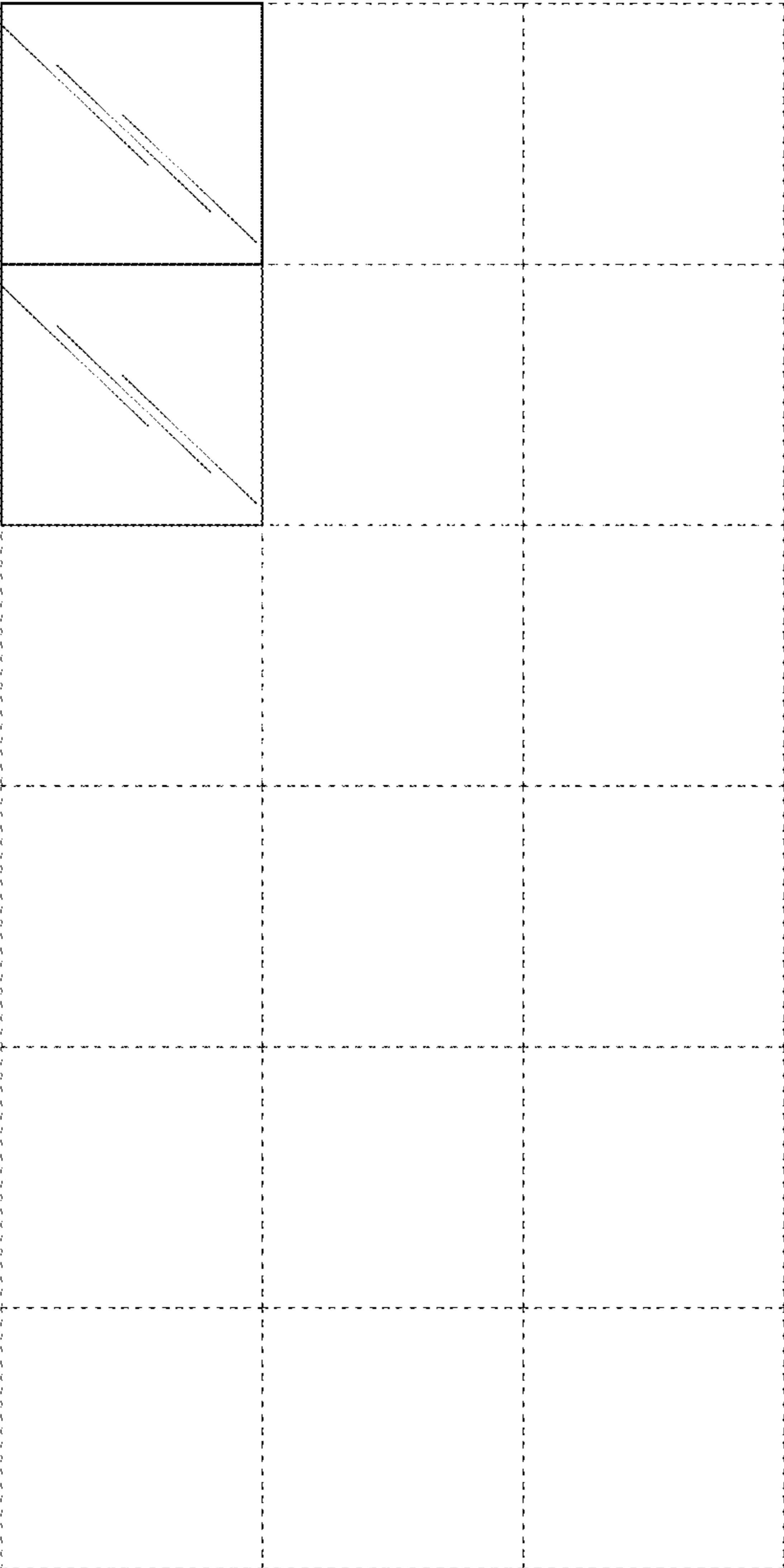
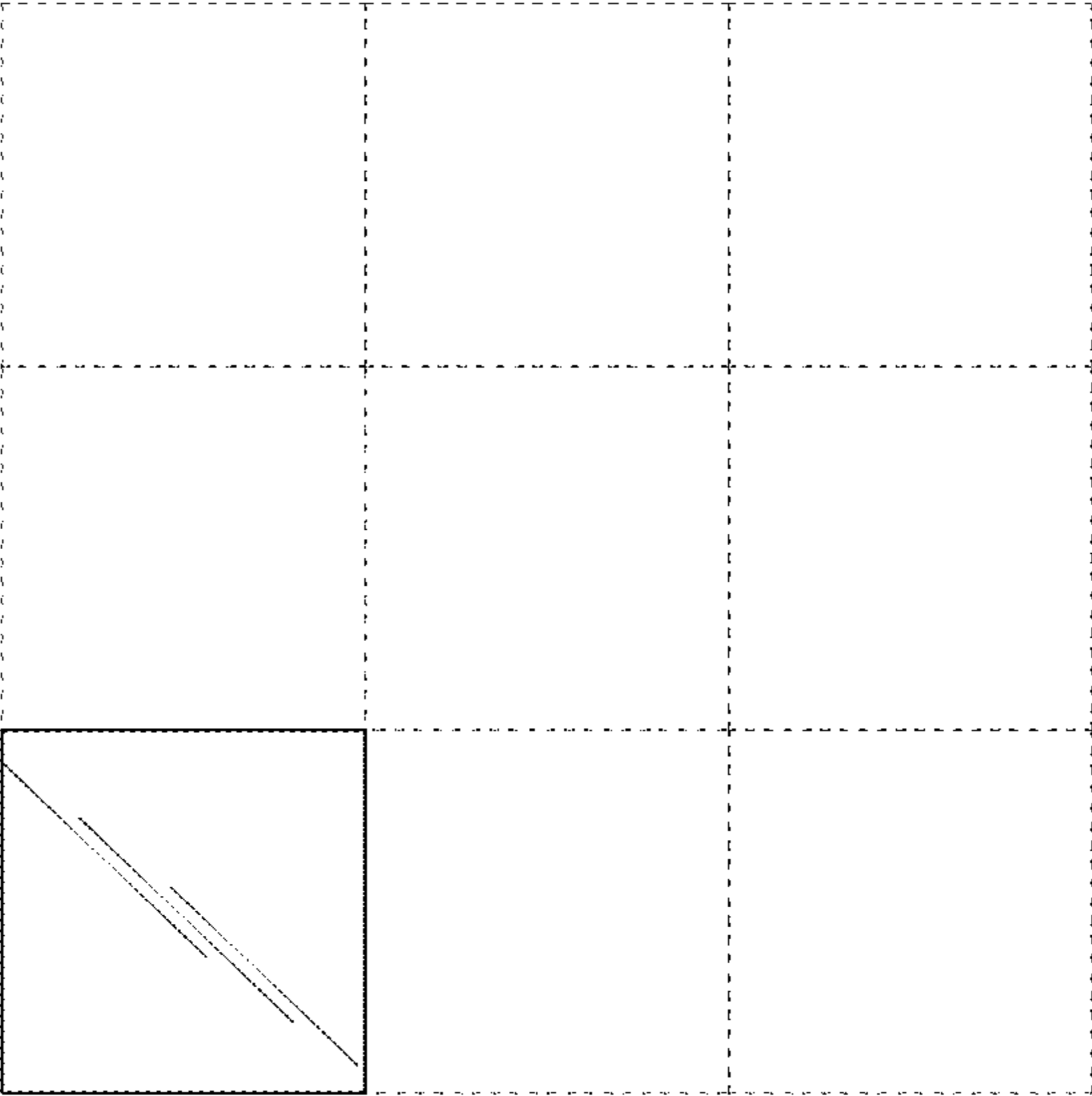


FIG. 15

FIG. 16

