



US00D954009S

(12) **United States Design Patent**
Kim et al.

(10) **Patent No.:** **US D954,009 S**

(45) **Date of Patent:** **** Jun. 7, 2022**

(54) **TELEVISION SET**

(71) Applicant: **LG DISPLAY CO., LTD.**, Seoul (KR)

(72) Inventors: **Inyoung Kim**, Paju-si (KR); **Dongkyu Yoon**, Paju-si (KR)

(73) Assignee: **LG DISPLAY CO., LTD.**, Seoul (KR)

(**) Term: **15 Years**

(21) Appl. No.: **29/763,692**

(22) Filed: **Dec. 23, 2020**

(30) **Foreign Application Priority Data**

Jun. 29, 2020 (KR) 30-2020-0029629

(51) **LOC (13) Cl.** **14-03**

(52) **U.S. Cl.**
USPC **D14/126**

(58) **Field of Classification Search**
USPC D14/126, 128, 129, 130, 132, 133, 159,
D14/239, 307, 336, 371, 372, 374, 375,
D14/376, 383, 448, 451, 496, 343, 449;
D20/10, 18, 19, 21, 39; D25/58;
D16/241; D6/300, 308, 657, 632
CPC G06F 1/1601; G06F 1/1605; G06F 1/1607;
G06F 1/1637; G06F 1/1642; G06F 1/182;
G06F 1/20; G06F 2200/1612; G06F
3/0421; G06F 3/0428; G06F 3/0488;
G06F 3/1446; H04N 5/02; H04N 5/64;
H04N 1/00522; H05K 7/18; H05K 7/183;
H05K 7/186
See application file for complete search history.

(56) **References Cited**

U.S. PATENT DOCUMENTS

D185,509 S * 6/1959 Pedersen D6/301
D361,897 S * 9/1995 Jackson D6/300
D364,278 S * 11/1995 Guyton D6/300

D409,845 S * 5/1999 Mok D6/301
D415,205 S * 10/1999 Canton Gongora D20/10
D473,867 S * 4/2003 Lin D14/371
D500,478 S * 1/2005 Bivona D14/129
D524,772 S * 7/2006 Reza D14/126
D529,458 S * 10/2006 Hoehn D14/126
D540,758 S * 4/2007 Macey D14/126
D586,307 S * 2/2009 Chu D14/134
D618,189 S * 6/2010 Honda D14/126
D626,353 S * 11/2010 Magruder D20/10
D642,149 S * 7/2011 Inoue D14/126
D709,468 S * 7/2014 Seo D14/126
D712,367 S * 9/2014 Park D14/126
D712,856 S * 9/2014 Thompson D14/126
D719,539 S * 12/2014 Ryu D14/126
D723,487 S * 3/2015 Lee D14/126
D730,858 S * 6/2015 Yoon D14/126
D735,714 S * 8/2015 Sang D14/374
D738,335 S * 9/2015 Shin D14/126

(Continued)

Primary Examiner — Marie D. Fast Horse

(74) *Attorney, Agent, or Firm* — Birch, Stewart, Kolasch & Birch, LLP

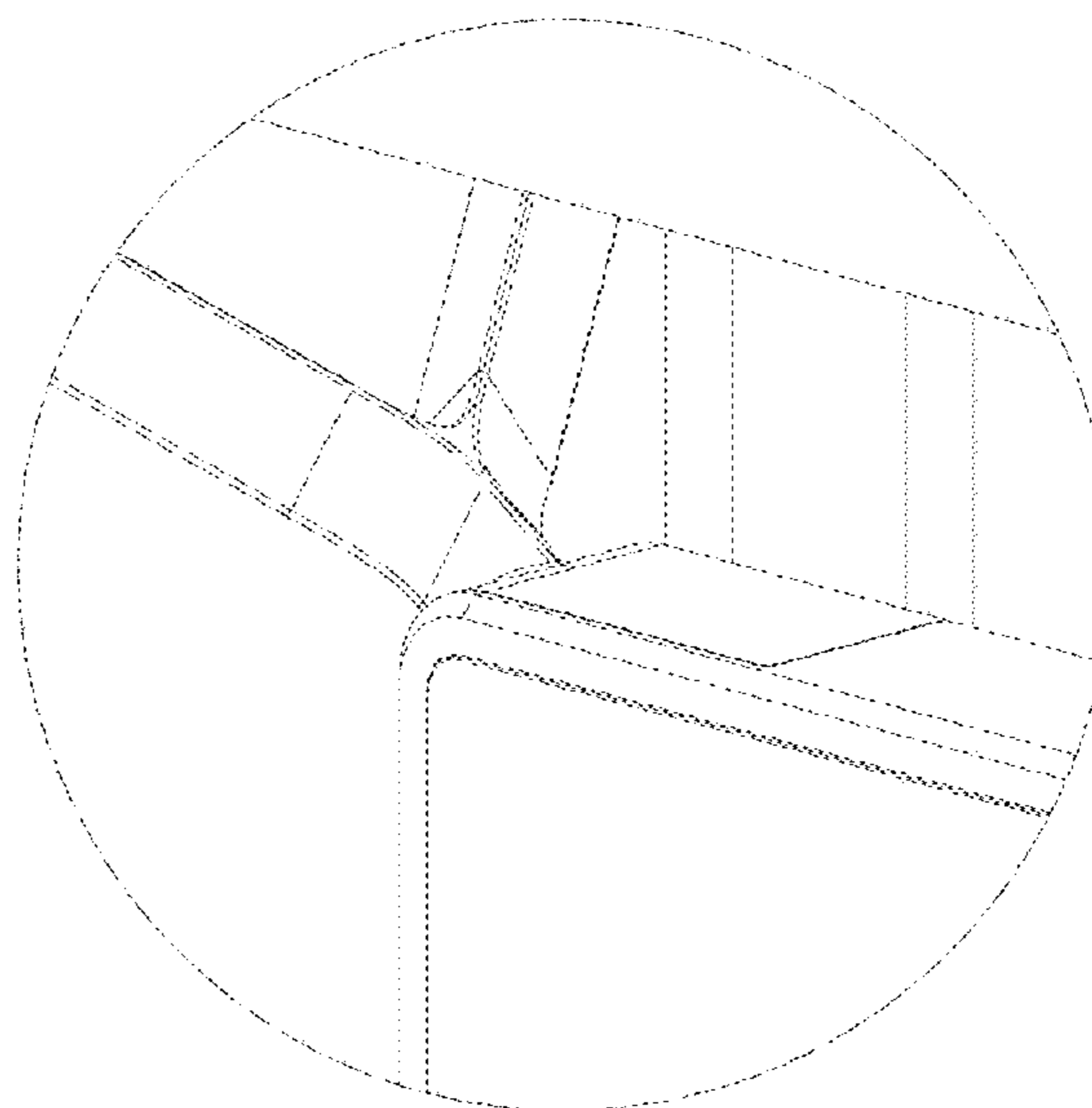
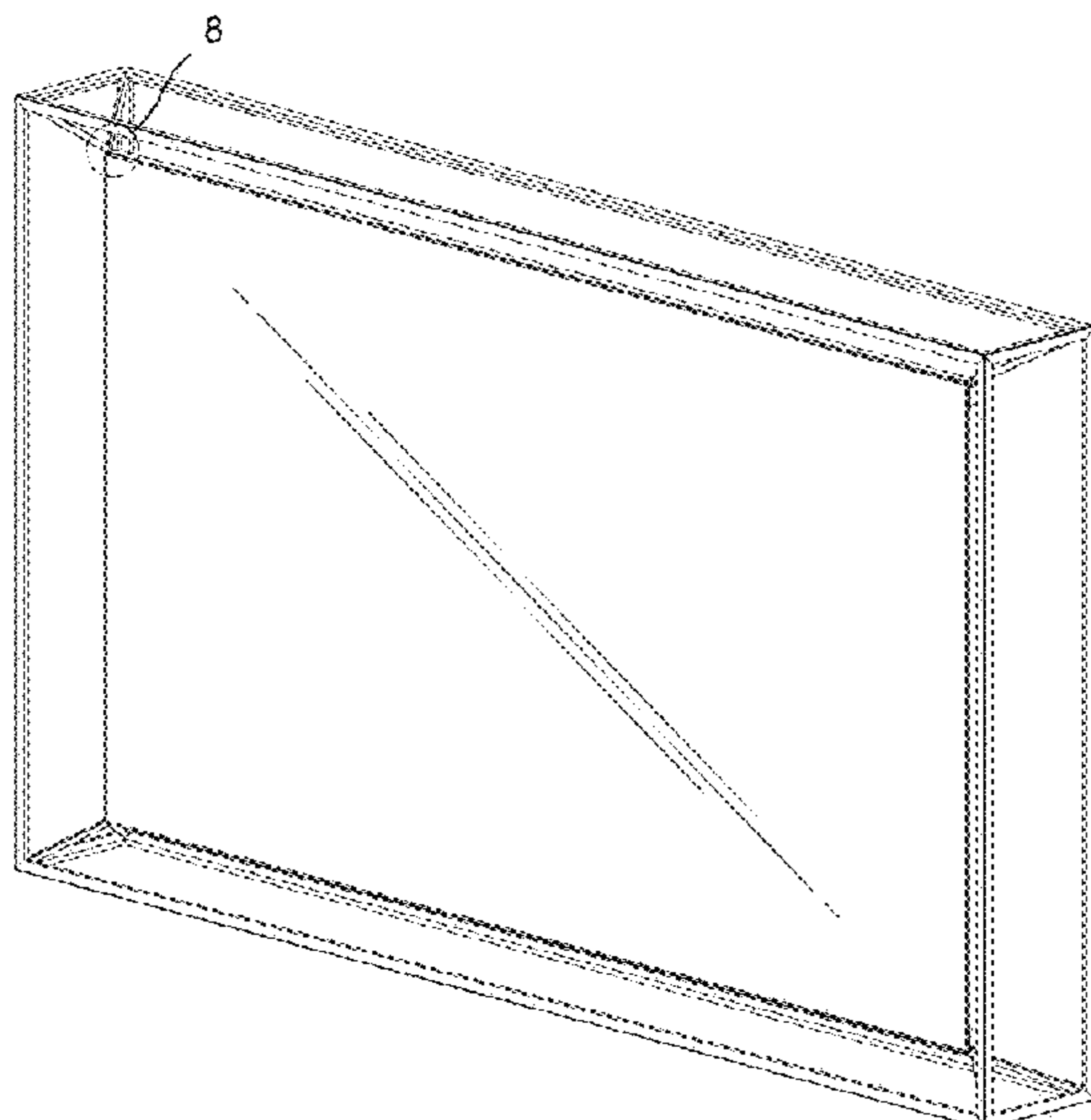
(57) **CLAIM**

The ornamental design for a television set, as shown and described.

DESCRIPTION

FIG. 1 is a front, right perspective view of a television set showing our new design;
FIG. 2 is a front view thereof;
FIG. 3 is a rear view thereof;
FIG. 4 is a left side view thereof;
FIG. 5 is a right side view thereof;
FIG. 6 is a top plan view thereof;
FIG. 7 is a bottom plan view thereof; and,
FIG. 8 is an enlarged view of a portion of FIG. 1.
The dot-dot-dash broken line showing in FIGS. 1 and 8 is for the purpose of illustrating a partially enlarged view of FIG. 1 only and forms no part of the claimed design.

1 Claim, 8 Drawing Sheets



(56)

References Cited

U.S. PATENT DOCUMENTS

D752,535	S	*	3/2016	Kim	D14/126
D755,139	S	*	5/2016	Kim	D14/126
D755,743	S	*	5/2016	Kim	D14/126
D757,669	S	*	5/2016	Bouroullec	D14/126
D757,670	S	*	5/2016	Bouroullec	D14/126
D762,602	S	*	8/2016	Han	D14/126
D766,854	S	*	9/2016	Han	D14/126
D769,205	S	*	10/2016	Woo	D14/126
D779,446	S	*	2/2017	Bouroullec	D14/126
D779,498	S	*	2/2017	Moon	D14/448
D788,052	S	*	5/2017	Choi	D14/126
D805,050	S	*	12/2017	Lim	D14/126
D807,312	S	*	1/2018	Jeong	D14/126
D817,296	S	*	5/2018	Kim	D14/126
D824,868	S	*	8/2018	Chong	D14/126
D831,599	S	*	10/2018	Chong	G06F 1/1601 D14/126
D839,228	S	*	1/2019	Kim	D14/126
D849,702	S	*	5/2019	Lee	D14/126
D908,650	S	*	1/2021	Cho	D14/126
D911,993	S	*	3/2021	Kim	D14/126
D924,189	S	*	7/2021	Park	D14/126
2016/0038837	A1	*	2/2016	Fujioka	G06F 1/1626 463/31

* cited by examiner

FIG. 1

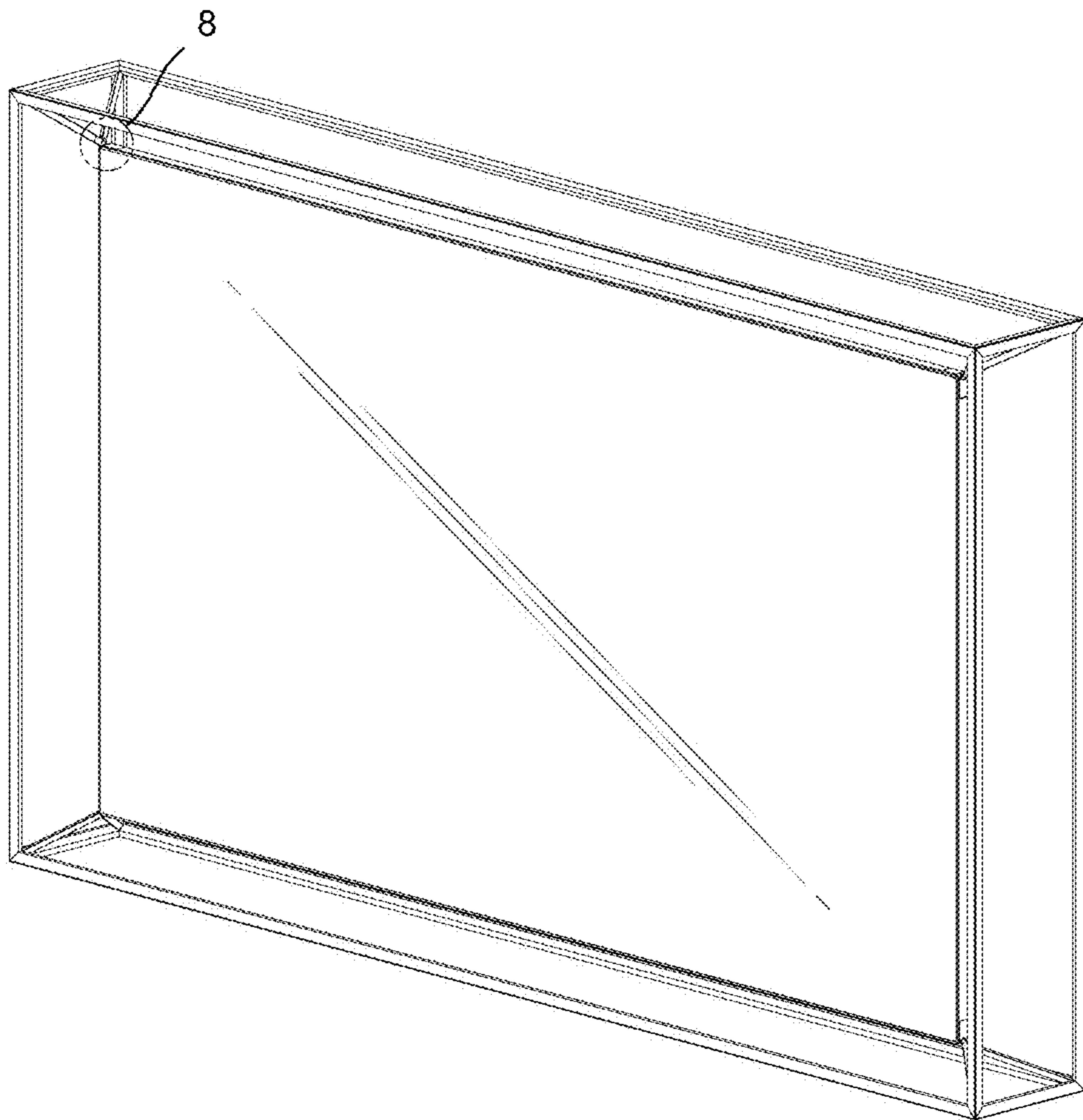


FIG. 2

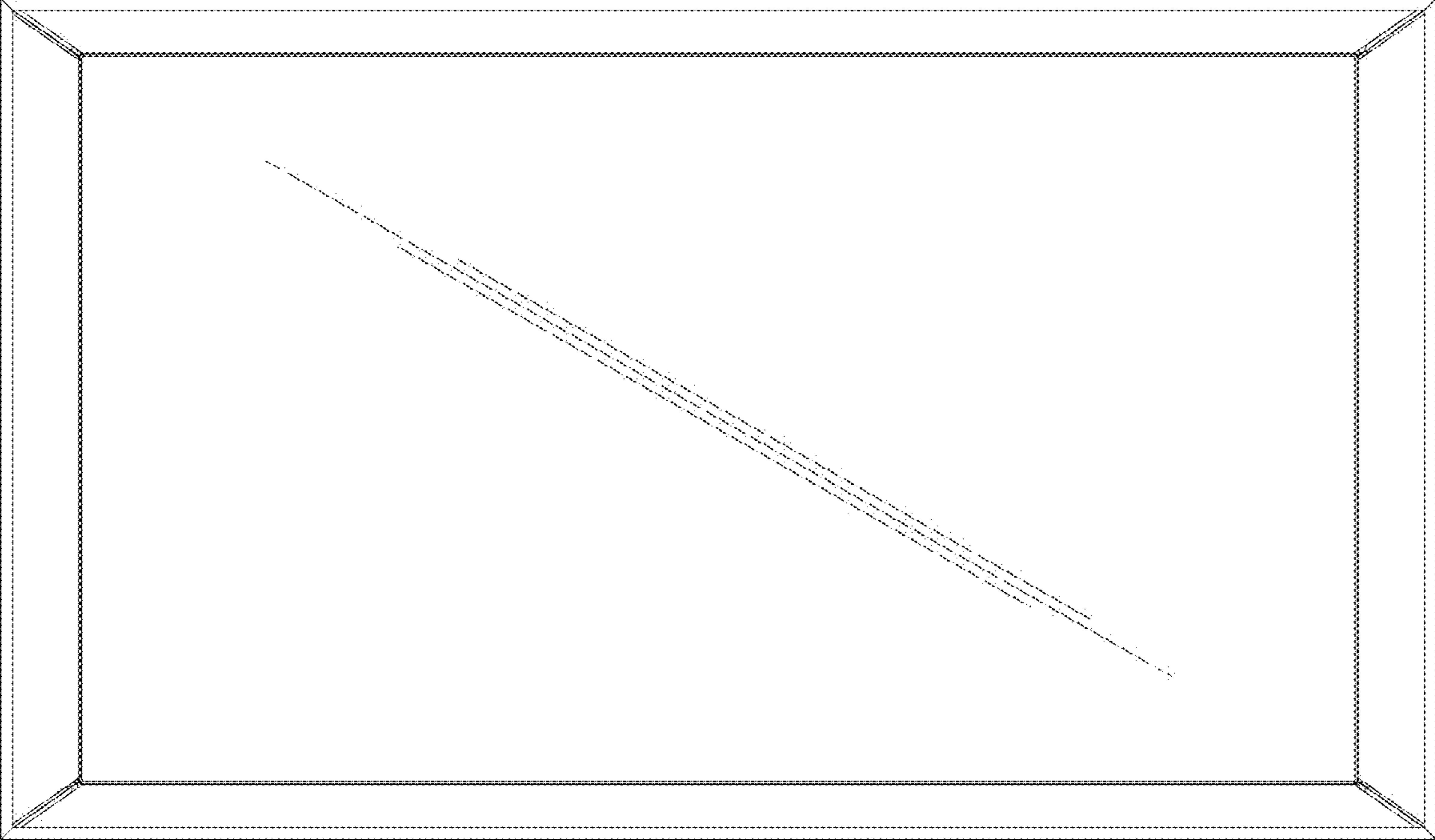


FIG. 3

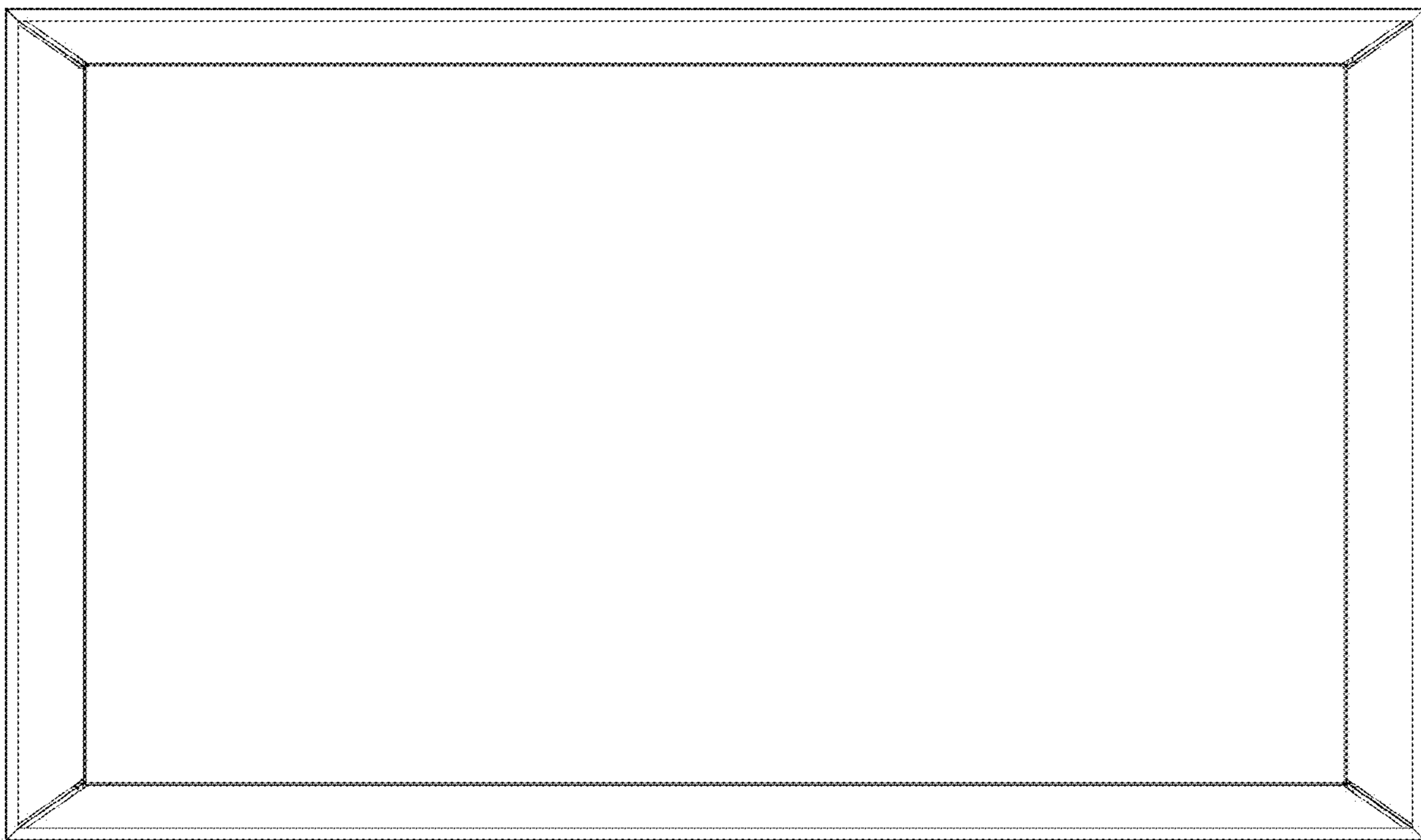


FIG. 4

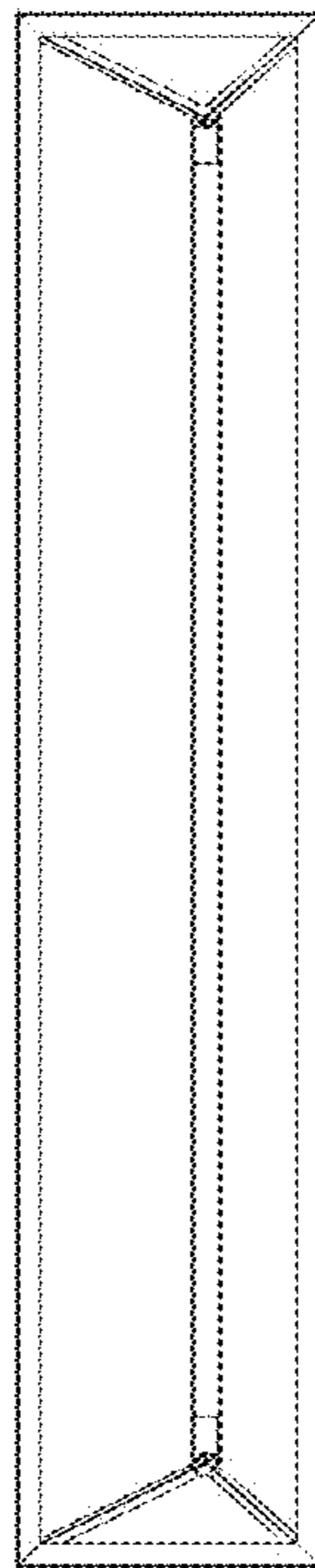


FIG. 5

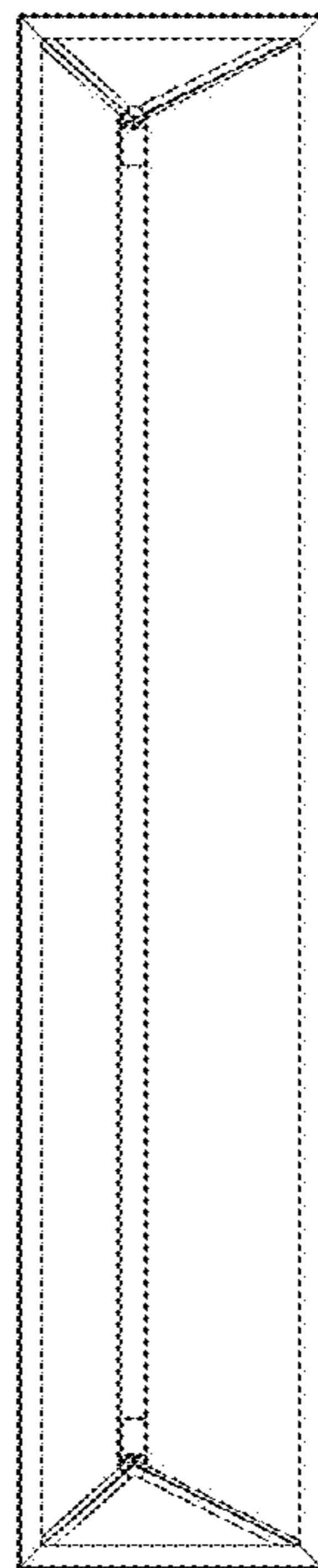


FIG. 6

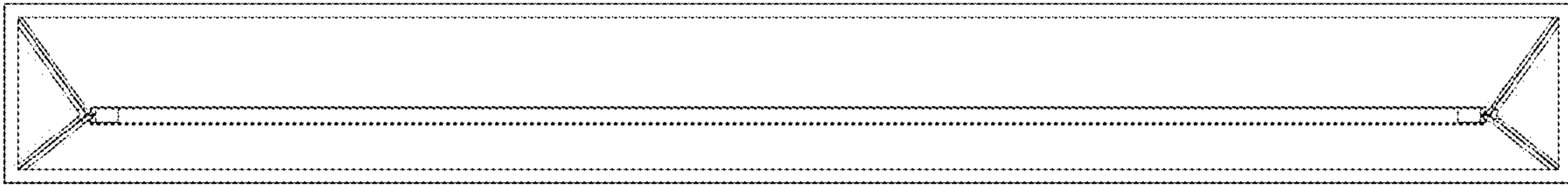


FIG. 7

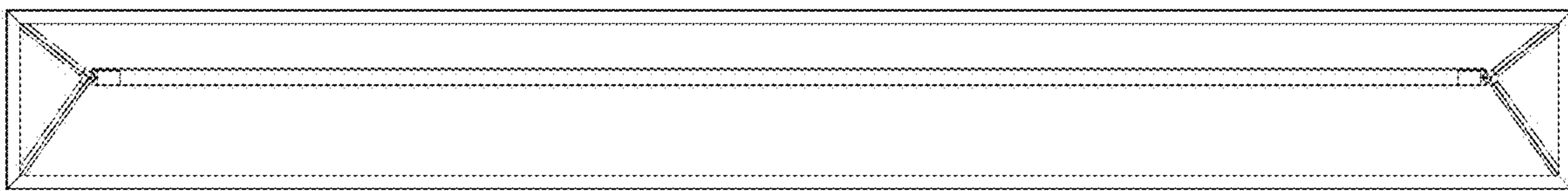


FIG. 8

