

US00D954007S

(12) **United States Design Patent**
Smith

(10) **Patent No.:** **US D954,007 S**
(45) **Date of Patent:** **** Jun. 7, 2022**

(54) **POWER POLE ACTUATOR MOUNT**

(71) Applicant: **Precision Wedling & Fabrication, LLC**, Rainbow City, AL (US)

(72) Inventor: **Jeremy Smith**, Southside, AL (US)

(73) Assignee: **Precision Welding & Fabrication, LLC**, Rainbow City, AL (US)

(**) Term: **15 Years**

(21) Appl. No.: **29/712,122**

(22) Filed: **Nov. 5, 2019**

Related U.S. Application Data

(63) Continuation-in-part of application No. 16/673,844, filed on Nov. 4, 2019, now Pat. No. 10,994,811.

(51) **LOC (13) Cl.** **13-03**

(52) **U.S. Cl.**
USPC **D13/184; D13/162**

(58) **Field of Classification Search**
USPC ... D13/171, 158, 159, 160, 162, 162.1, 163, D13/168, 174, 177, 184, 199
CPC G05B 19/042; G05B 19/409; G05B 2219/23406; B63H 21/21; B63H 21/213
See application file for complete search history.

(56) **References Cited**

U.S. PATENT DOCUMENTS

- 2,363,854 A * 11/1944 Bierenfeld H01H 13/02
200/321
- 4,209,820 A * 6/1980 Rundel H02B 1/48
361/600
- 4,514,601 A * 4/1985 Buchanan H01H 13/74
200/5 E
- 4,544,811 A * 10/1985 Brevick H01H 13/20
218/19
- 4,565,529 A 1/1986 Aertker et al.

- D336,895 S * 6/1993 Rogov D13/177
 - D342,056 S * 12/1993 Rivera D13/162
 - 6,041,730 A 3/2000 Oliverio et al.
 - 6,264,513 B1 * 7/2001 Marsh B63B 39/061
440/61 G
 - D481,687 S * 11/2003 Moriya D13/171
- (Continued)

OTHER PUBLICATIONS

Transom Mount Kayak Motors, Kayak Transom Motors For Power Pole Ready Kayaks, Internet site, www.islandhopperoutboards.com/transome-motor-for-power-pole-ready-kayaks.html, pp. 1-4.

(Continued)

Primary Examiner — Keli L Hill

Assistant Examiner — Harold E Blackwell, II

(74) *Attorney, Agent, or Firm* — Dennen IP Law, LLC

(57) **CLAIM**

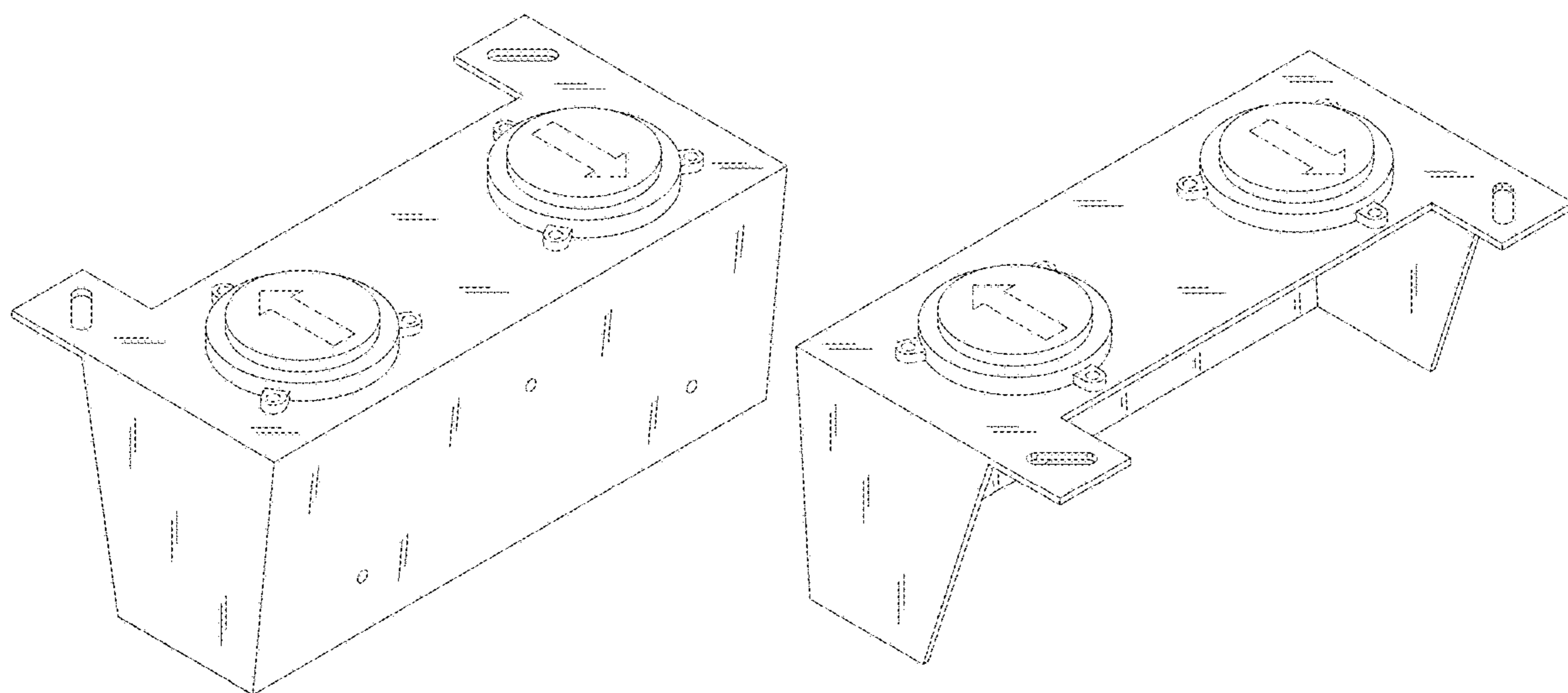
The ornamental design for a power pole actuator mount, as shown and described.

DESCRIPTION

FIG. 1 is a back-perspective view of a power pole actuator mount in accordance with the present disclosure;
FIG. 2 is a front perspective thereof;
FIG. 3 is a top view thereof showing two buttons;
FIG. 4 is a top view thereof not showing the two buttons;
FIG. 5 is a back plan view thereof;
FIG. 6 is a front plan view thereof;
FIG. 7 is a left-side plan view thereof;
FIG. 8 is a right-side plan view thereof;
FIG. 9 is a back-perspective view thereof not showing the buttons; and,
FIG. 10 is a front perspective view thereof not showing the buttons.

The broken lines shown in the drawings represent portions that form no part of the claimed design.

1 Claim, 4 Drawing Sheets



(56)

References Cited

U.S. PATENT DOCUMENTS

7,104,212 B2 * 9/2006 Brianza B63H 21/22
 114/144 RE
 D588,069 S * 3/2009 Cummings D13/158
 D645,005 S * 9/2011 Menheere D13/171
 8,327,791 B1 12/2012 Cullom et al.
 8,393,288 B1 3/2013 Ramsey
 8,550,023 B1 10/2013 Quail
 8,661,999 B2 3/2014 Blom
 8,943,990 B2 2/2015 McQuade
 9,187,152 B2 11/2015 Bailey et al.
 D765,610 S * 9/2016 Hamlin D13/174
 D793,346 S * 8/2017 Folk D13/162
 9,745,022 B1 8/2017 Kuenzel
 D804,431 S * 12/2017 Abellera D13/162
 10,029,764 B2 7/2018 Bernloehr et al.
 D832,797 S * 11/2018 Seidl D13/162
 D833,403 S * 11/2018 Seidl D13/162
 D862,398 S * 10/2019 Schindler D13/162

D867,309 S * 11/2019 Detering D13/168
 10,994,811 B1 * 5/2021 Smith B63B 21/26
 D941,783 S * 1/2022 Altonen D13/162
 D945,380 S * 3/2022 Note D12/400
 2011/0107952 A1 5/2011 Nicholson, IV
 2011/0212691 A1 9/2011 Rott et al.

OTHER PUBLICATIONS

Nik Brown, If the Bass Boats can do it, so can I! Dual Power-Poles-Jackson Kayak, Internet Site, jacksonkayak.com/blog/2015/12/16/bass-boats-can-can-dual-power-poles, Dec. 16, 2015, pp. 1-8.
 Micro Anchor, Big Power In A Small Package, Internet Site, www.power-pole.com/micro, pp. 1-9.
 Blade, Power-Pole Blade, Internet Site, www.power-pole.com/products/shallow-water-anchors/blade-edition-cm2, pp. 1-9.
 West Marine, Power-Pole Remote Control Kit, Internet Site, www.westmarine.com/buy/power-pole-remote-control-kit-10202992, pp. 1-5.

* cited by examiner

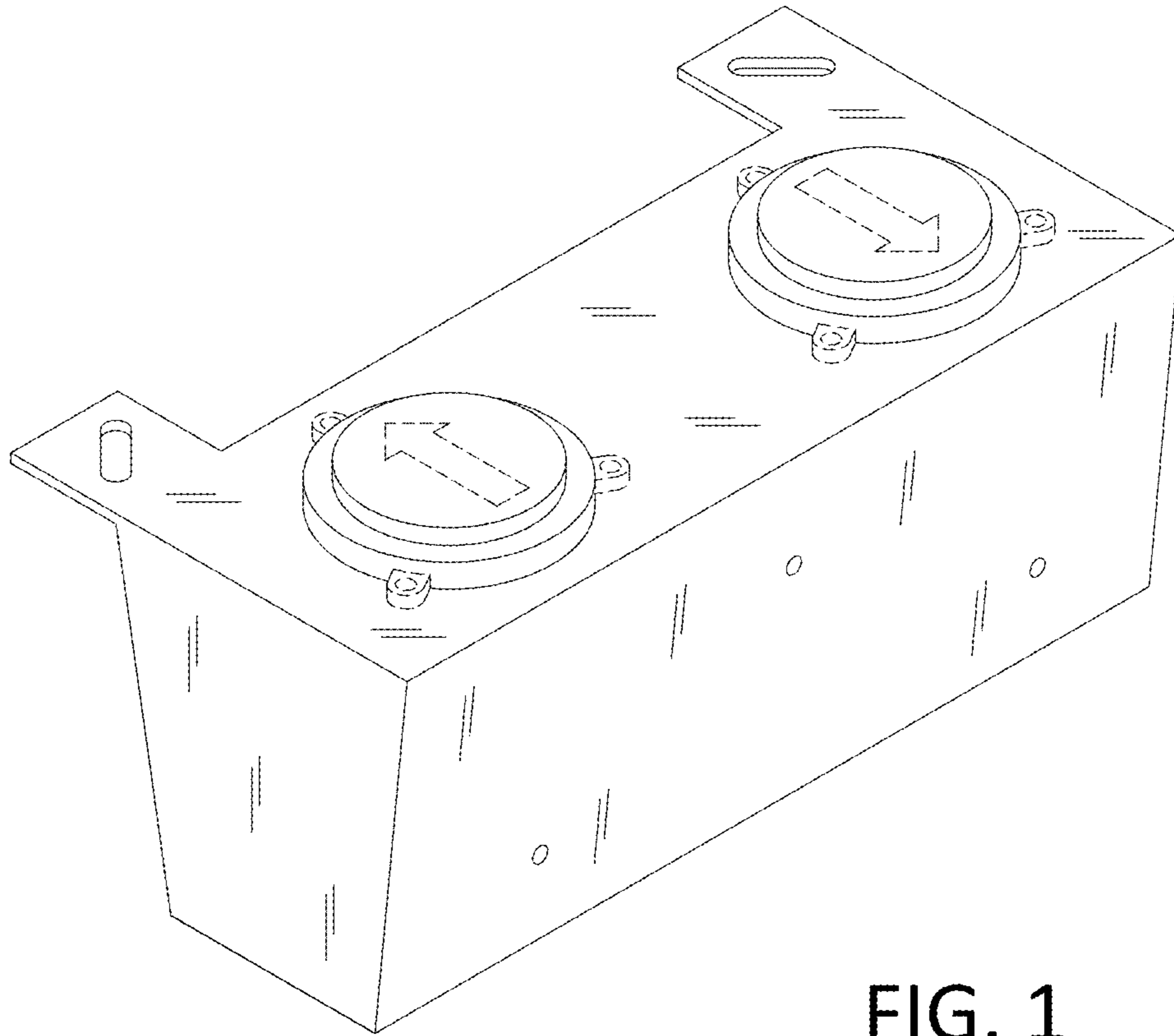


FIG. 1

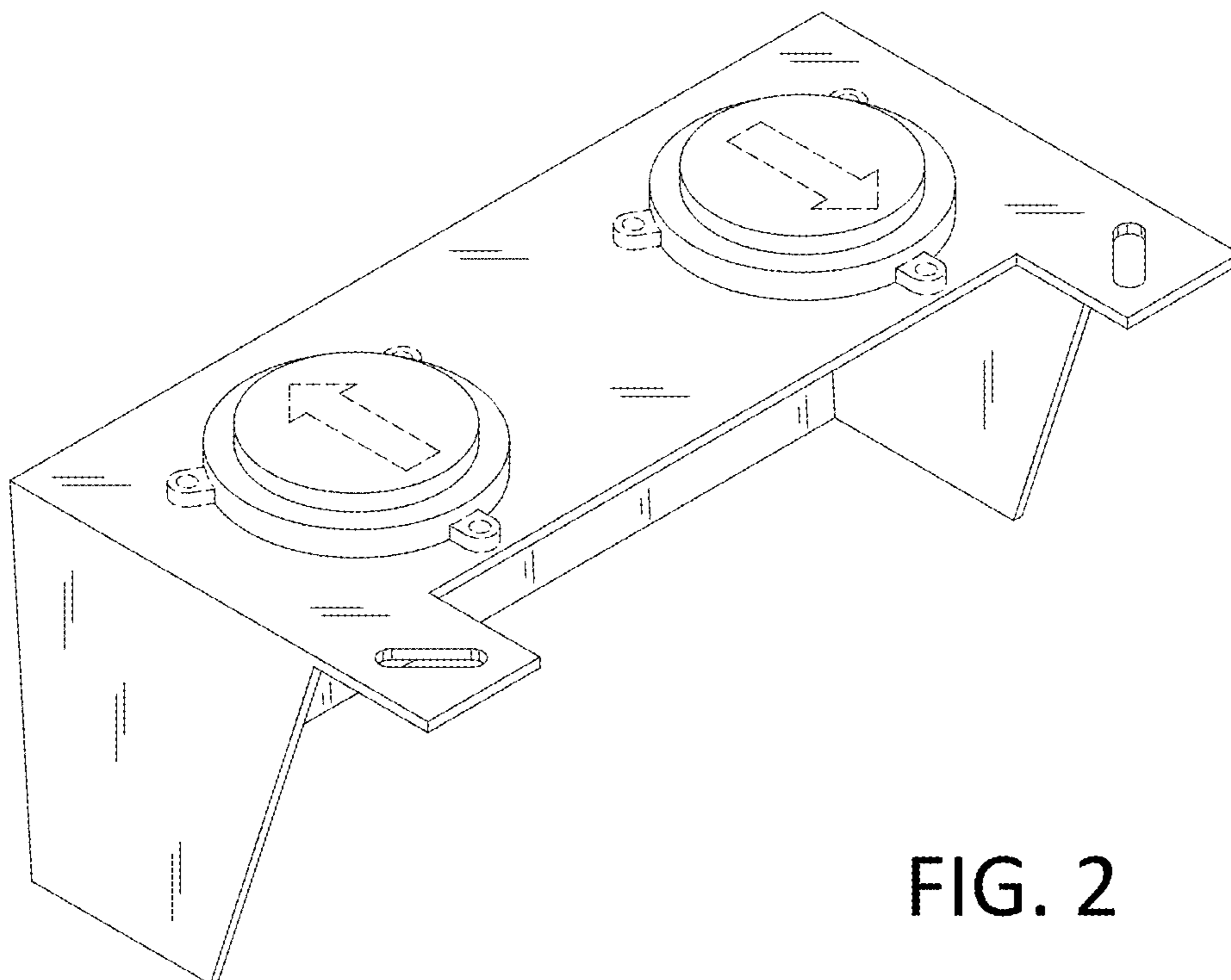


FIG. 2

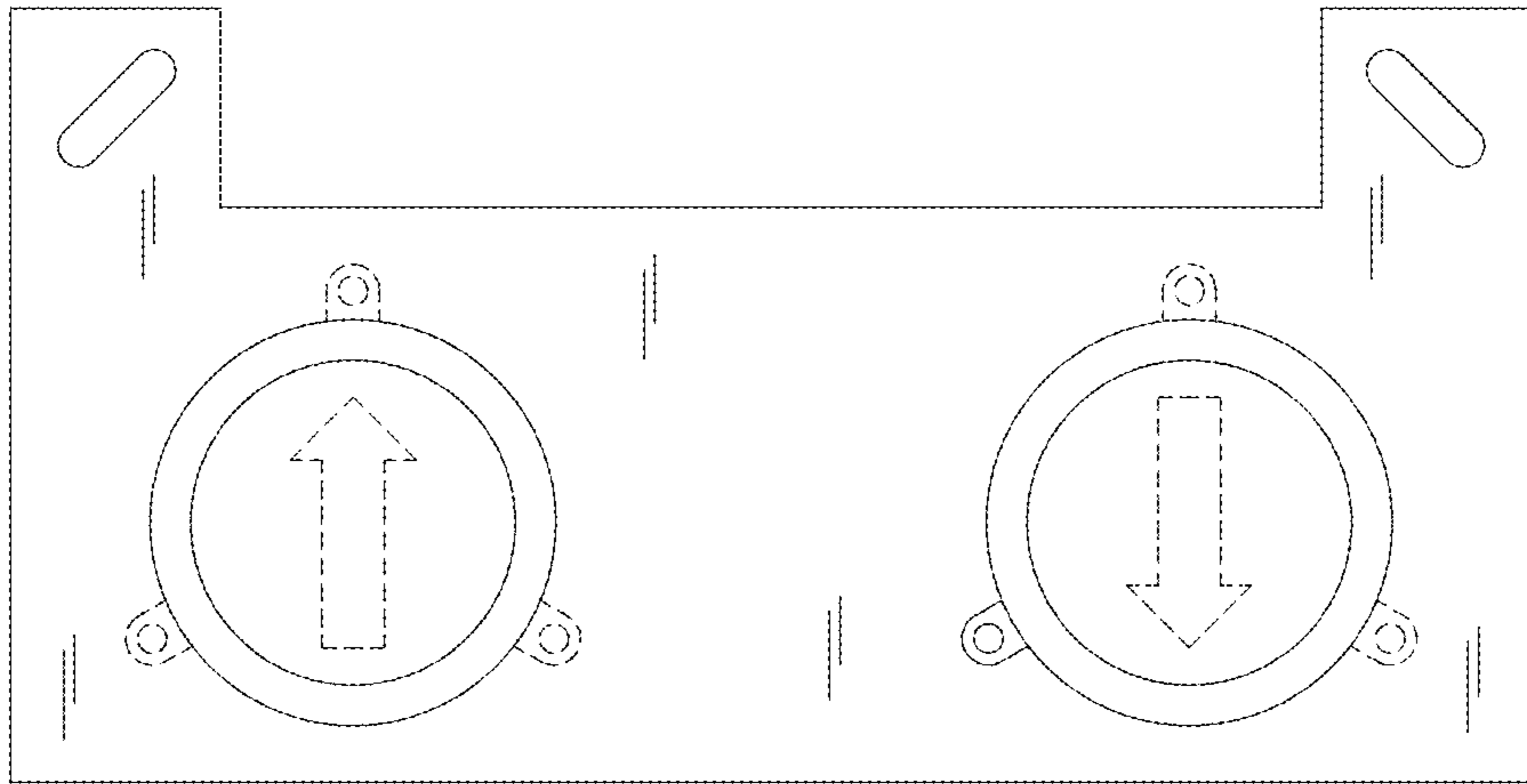


FIG. 3

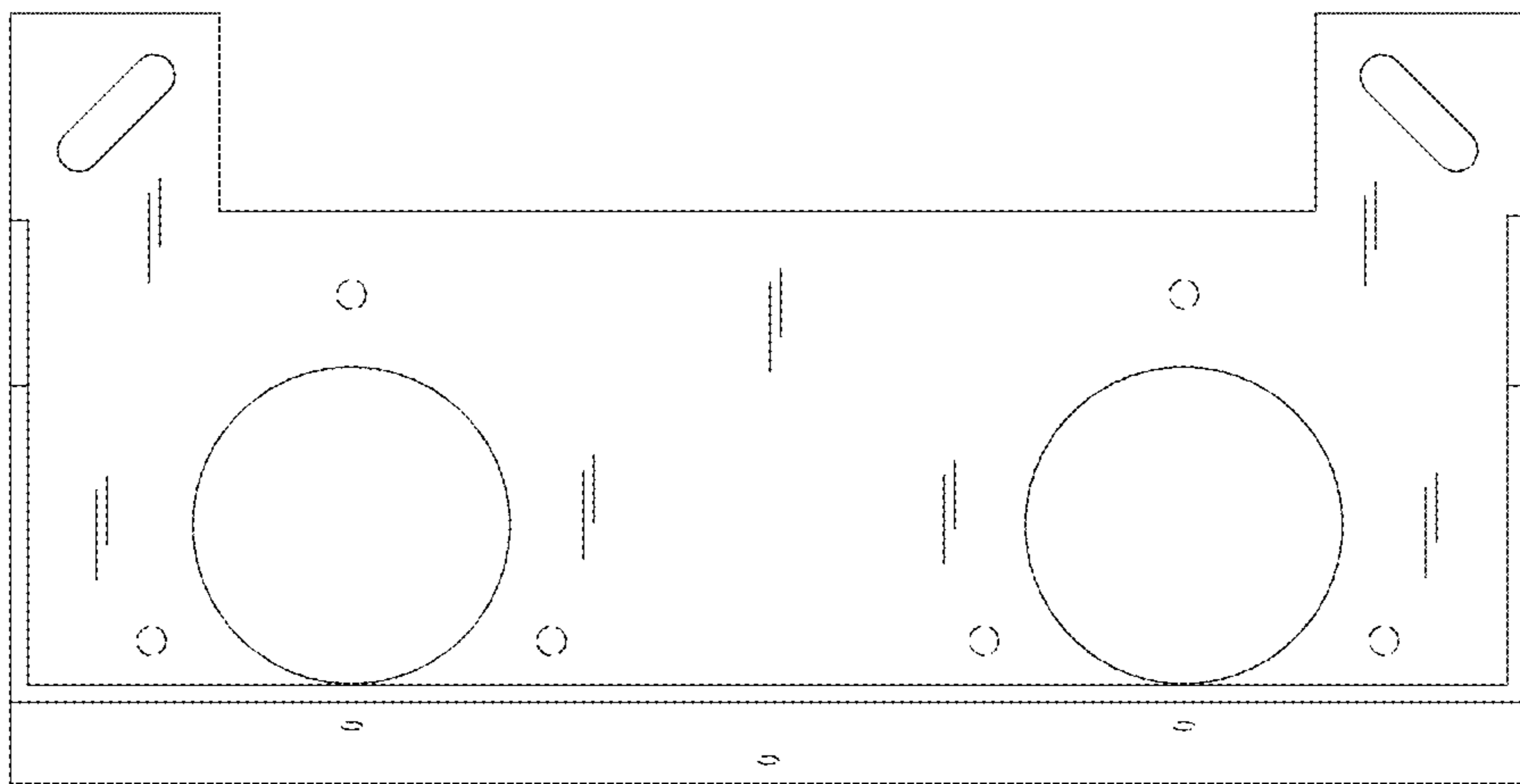


FIG. 4

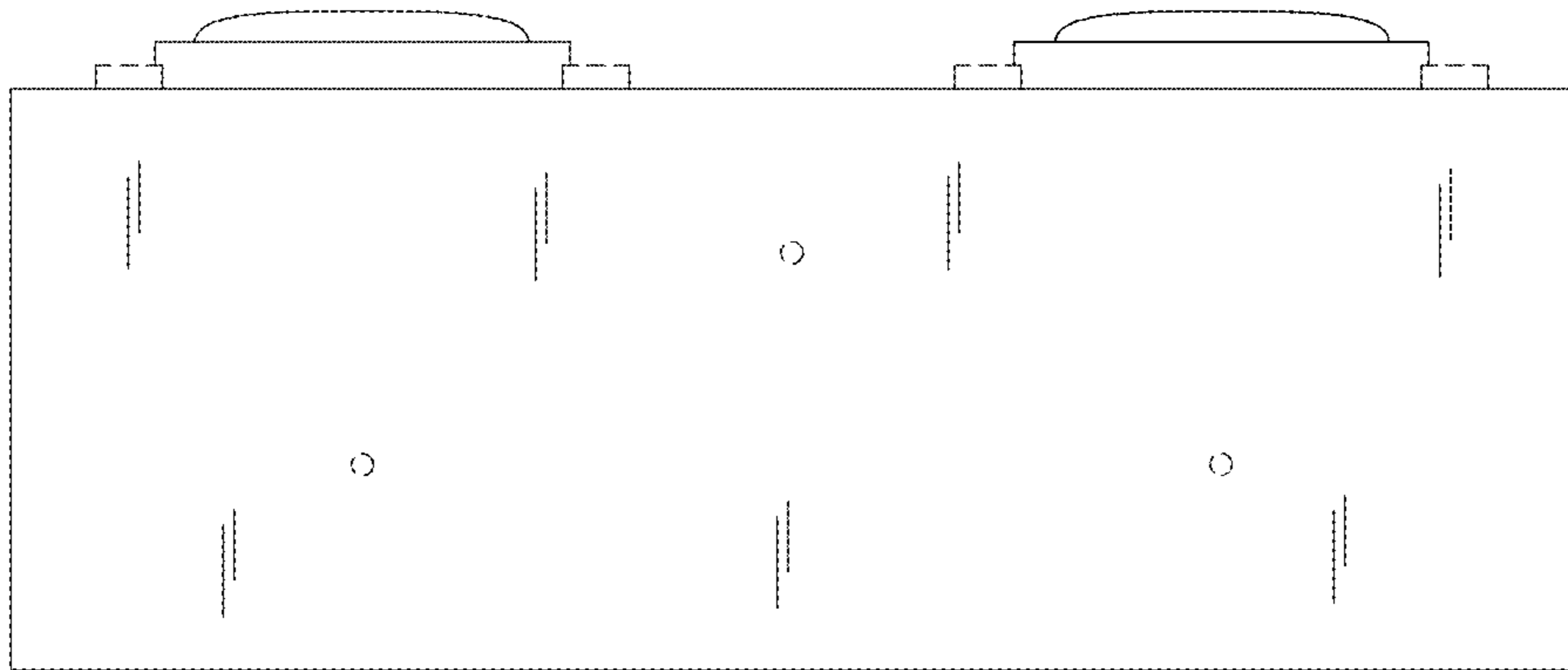


FIG. 5

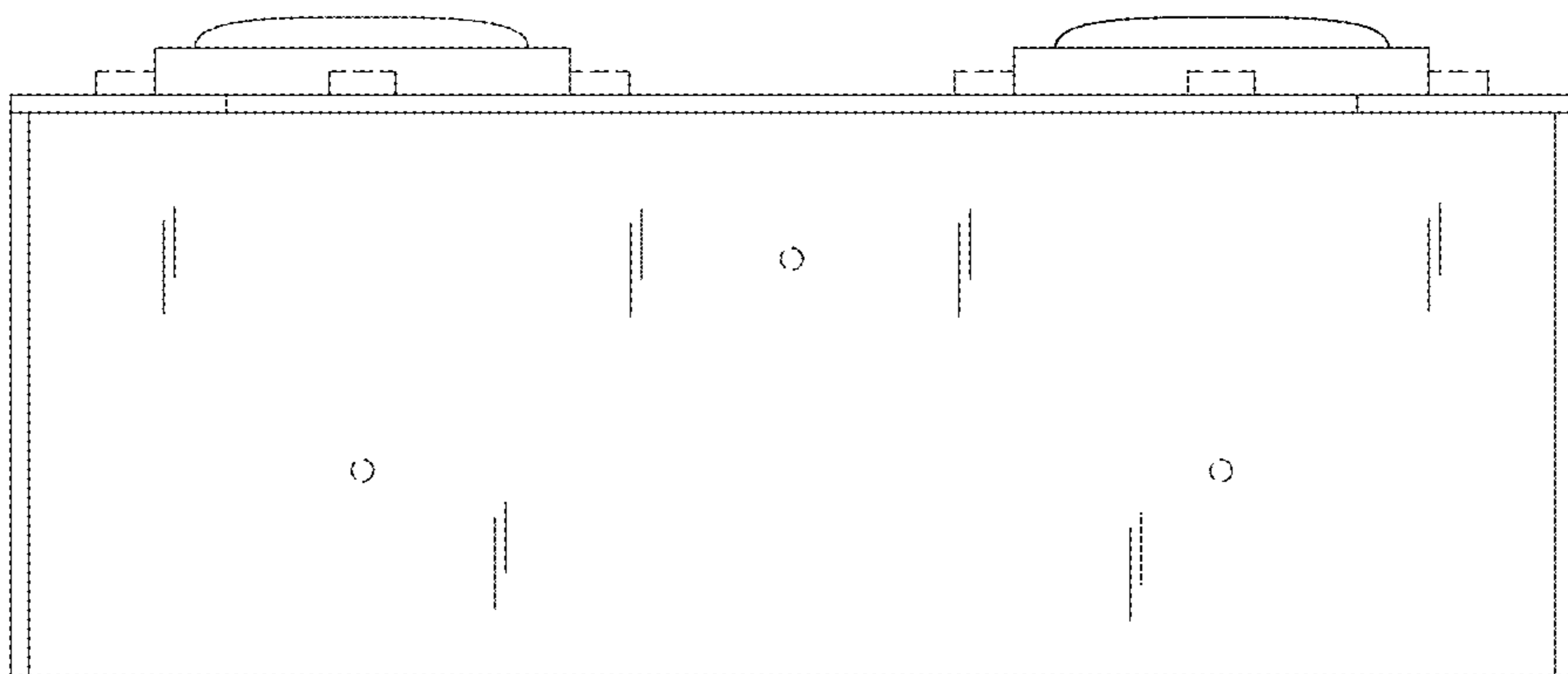


FIG. 6

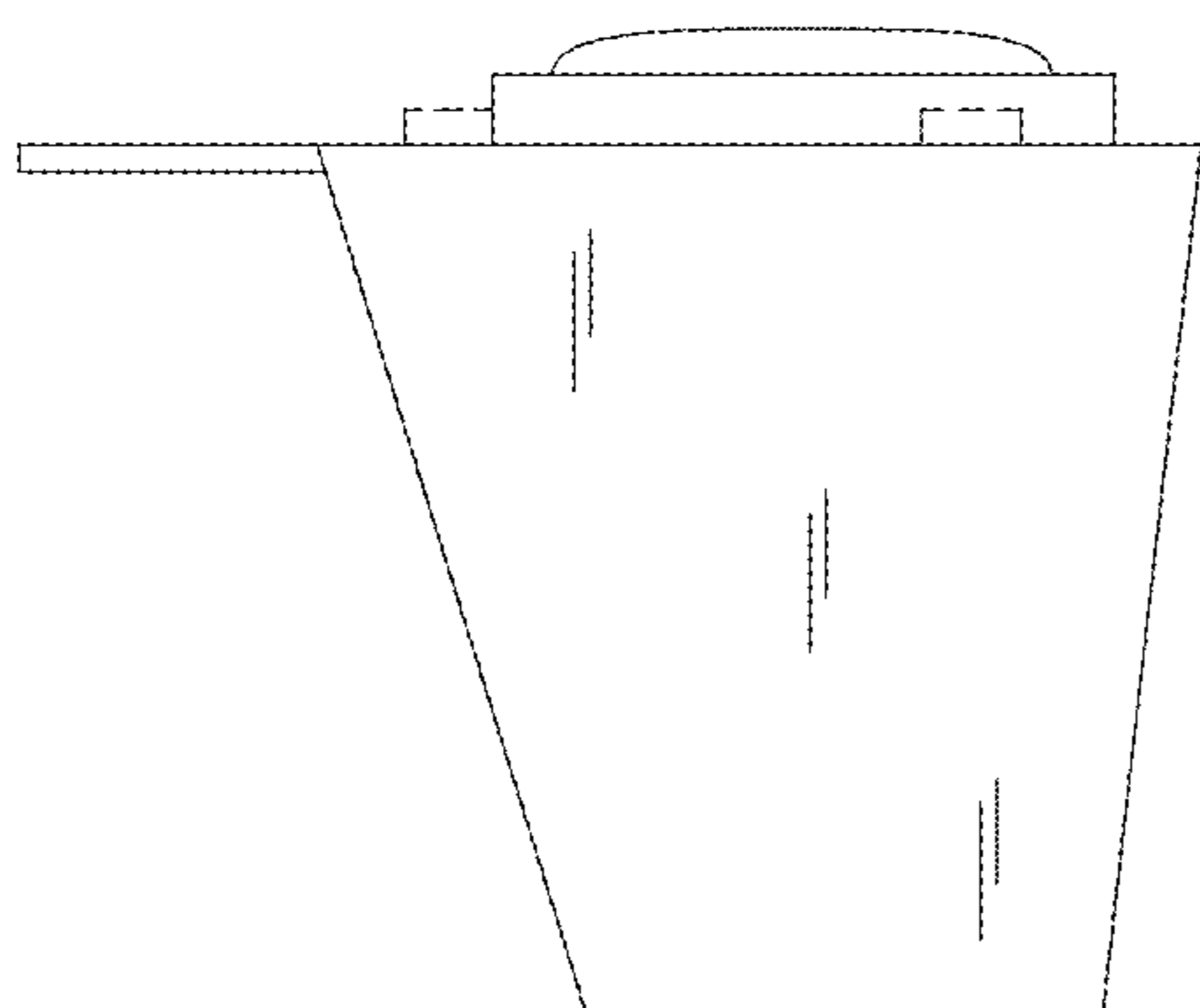


FIG. 7

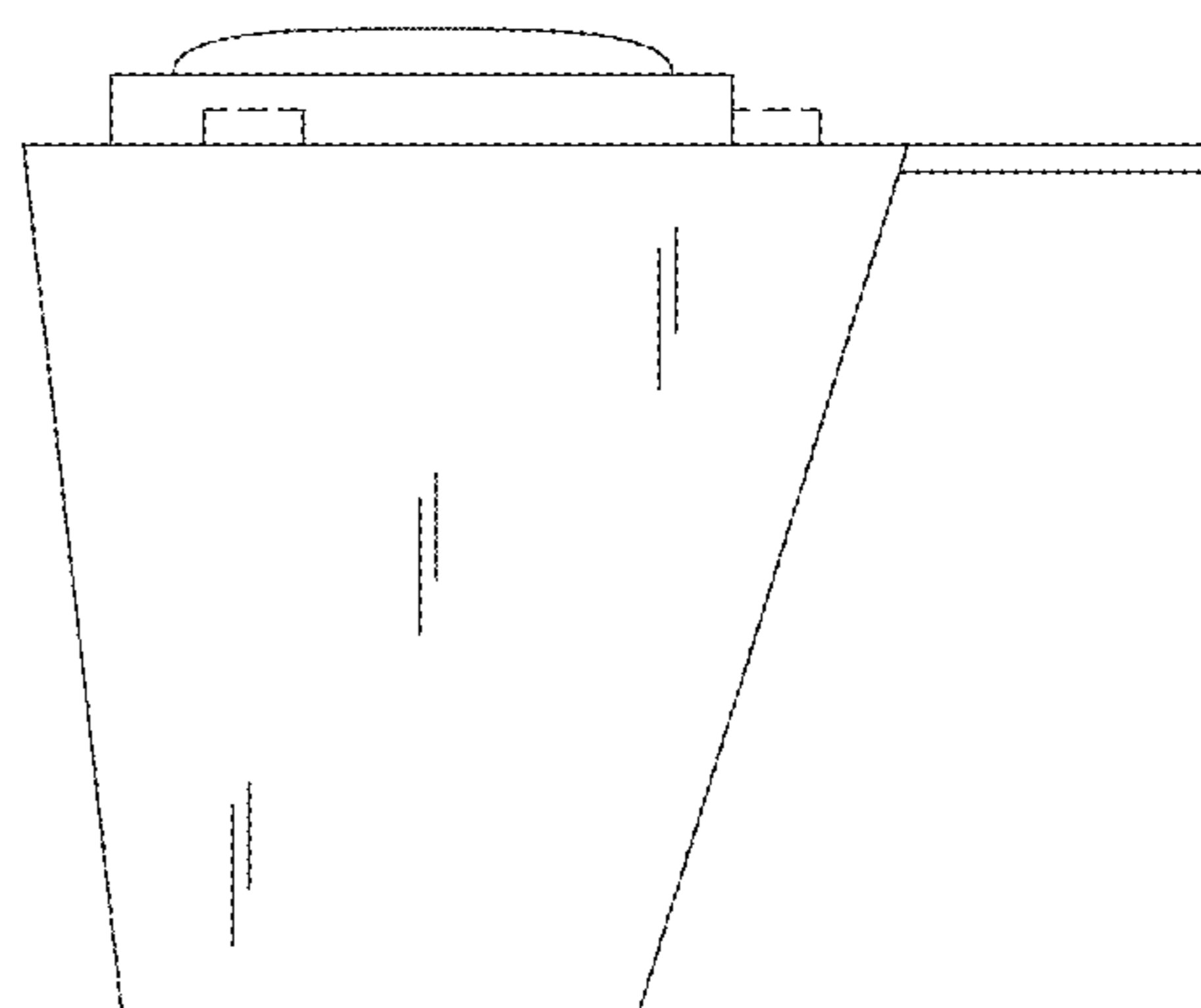


FIG. 8

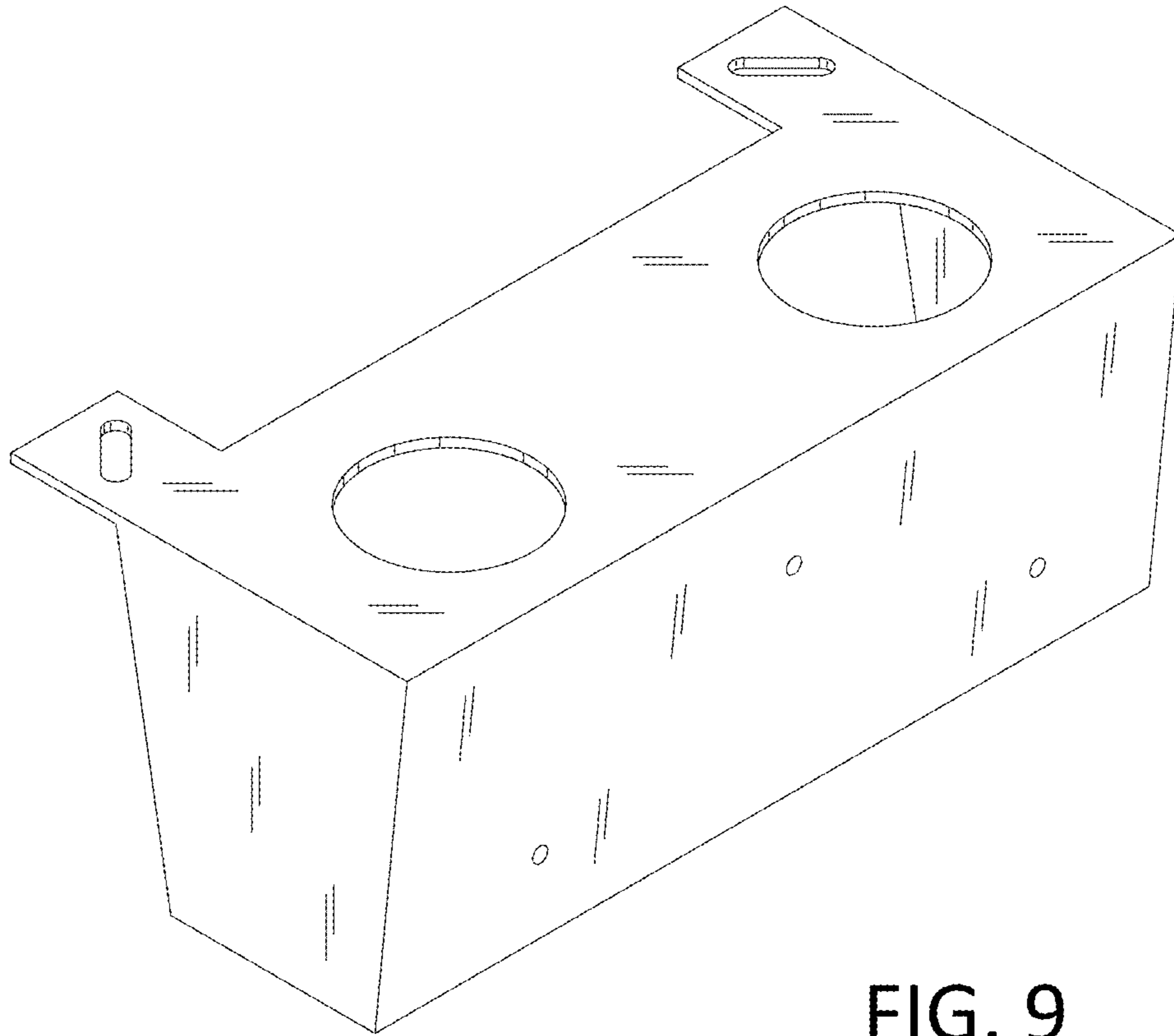


FIG. 9

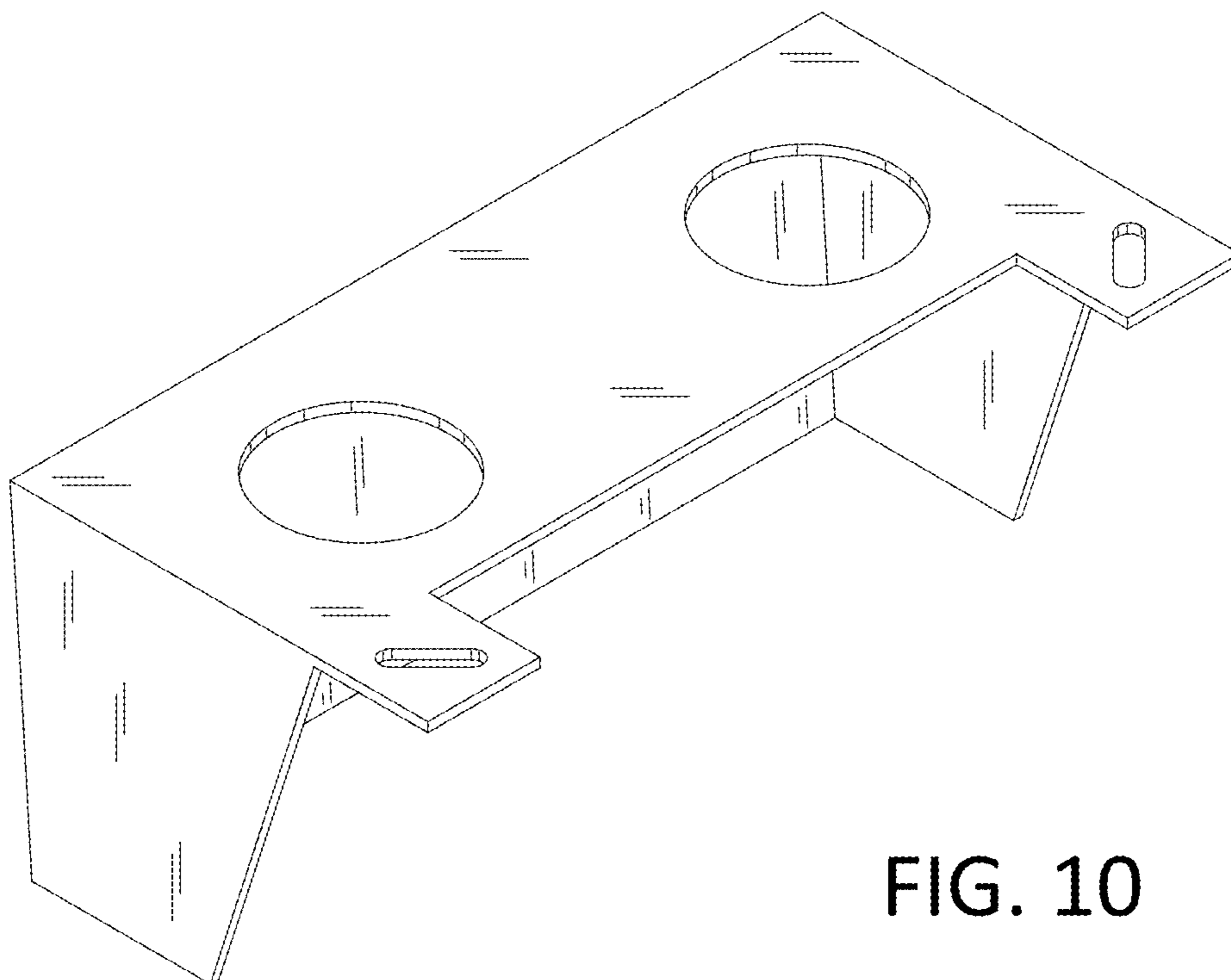


FIG. 10