

US00D954006S

(12) **United States Design Patent** (10) **Patent No.:** **US D954,006 S**
Van de Kamp (45) **Date of Patent:** **** Jun. 7, 2022**

(54) **MICROCIRCUIT FOR SMART CARD**
(71) Applicant: **LINXENS HOLDING**, Mantes-la-Jolie (FR)
(72) Inventor: **Bram Van de Kamp**, Wijchen (NL)
(**) Term: **15 Years**
(21) Appl. No.: **35/511,792**
(22) Filed: **Nov. 3, 2020**
(80) **Hague Agreement Data**

Int. Filing Date: **Nov. 3, 2020**
Int. Reg. No.: **DM/211230**
Int. Reg. Date: **Nov. 3, 2020**
Int. Reg. Pub. Date: **May 7, 2021**

(51) **LOC (13) Cl.** **13-03**
(52) **U.S. Cl.**
USPC **D13/182**
(58) **Field of Classification Search**

USPC D13/182
CPC H05K 5/0017; H05K 1/181; H05K 1/028;
H05K 2201/09063; H05K 5/0217; H05K
1/0219; H05K 1/023; H05K 1/144; H05K
1/147; H05K 1/18; H05K 2201/10037;
H05K 2201/10128; H05K 2201/10151;
H05K 5/0247; H05K 7/20; H05K 9/0022;
H05K 13/0015; H05K 13/0408; H05K
13/046; H05K 13/08; H05K 1/0203;
H05K 1/0204; H05K 1/0206; H05K
1/0215; H05K 1/0218; H05K 1/0225;
H05K 1/0228; H05K 1/0245; H05K
1/0259; H05K 1/0262; H05K 1/0268;
H05K 1/0271; H05K 1/0278; H05K
1/0366; H05K 1/0393; H05K 1/111;
H05K 1/112; H05K 1/115; H05K 1/116;
H05K 1/117; H05K 1/119; H05K 1/141;
H05K 1/142; H05K 1/148; H05K 1/182;
H05K 1/183; H05K 1/189; H05K
2201/032; H05K 2201/0394; H05K
2201/041; H05K 2201/049; H05K
2201/055; H05K 2201/06; H05K
2201/0715; H05K 2201/0723; H05K
2201/0792; H05K 2201/09072; H05K

2201/09118; H05K 2201/09181; H05K
2201/09218; H05K 2201/09272; H05K
2201/093; H05K 2201/09354; H05K
2201/09518; H05K 2201/09536; H05K
2201/096; H05K 2201/09609; H05K
2201/0969; H05K 2201/0979; H05K
2201/10007; H05K 2201/10022; H05K
(Continued)

(56) **References Cited**

U.S. PATENT DOCUMENTS

D673,921 S * 1/2013 Ozawa D13/182
D673,922 S * 1/2013 Moriai D13/182
(Continued)

Primary Examiner — Khawaja Anwar

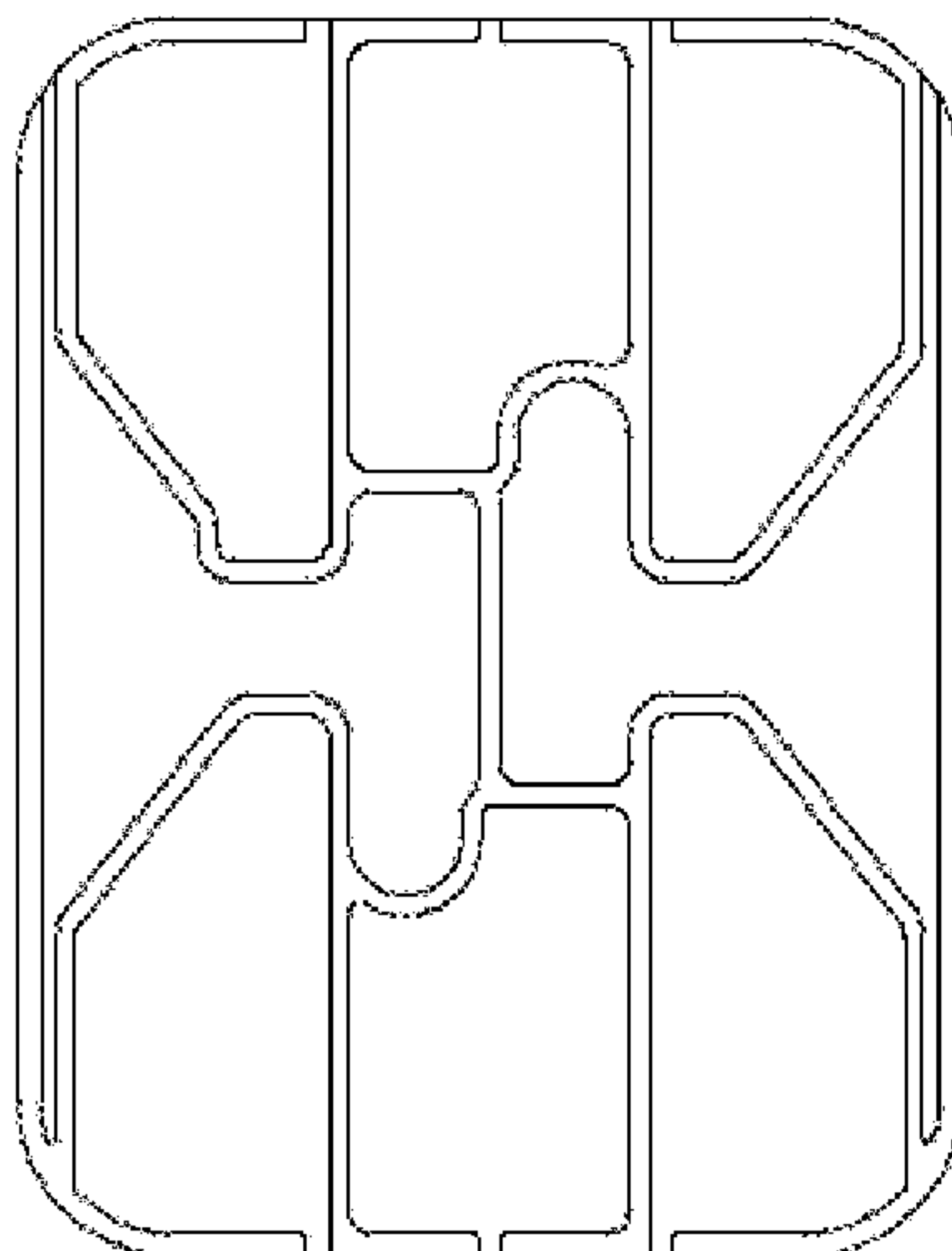
(57) **CLAIM**

The ornamental design for a microcircuit for smart card, as shown and described.

DESCRIPTION

- 1. Microcircuit for smart card
- 2. Microcircuit for smart card
- 1.1 : Front
- 1.2 : Back
- 1.3 : Right
- 1.4 : Left
- 1.5 : Top
- 1.6 : Bottom
- 1.7 : Perspective
- 1.8 : Perspective
- 2.1 : Front
- 2.2 : Back
- 2.3 : Right
- 2.4 : Left
- 2.5 : Top
- 2.6 : Bottom
- 2.7 : Perspective
- 2.8 : Perspective

1 Claim, 16 Drawing Sheets



(58) **Field of Classification Search**

CPC 2201/10106; H05K 2201/10121; H05K
2201/10143; H05K 2201/10166; H05K
2201/10272; H05K 2201/10356; H05K
2201/10378; H05K 2201/10431; H05K
2201/2027; H05K 2203/1316; H05K
2203/1327; H05K 2203/166; H05K 3/00;
H05K 3/0011; H05K 3/0014; H05K
3/005; H05K 3/0091; H05K 3/1275;
H05K 3/284; H05K 3/321; H05K 3/403;
H05K 3/4644; H05K 3/4691; H05K
5/0021; H05K 5/006; H05K 5/0082;
H05K 5/02; H05K 5/0204; H05K 5/0226;
H05K 5/03; H05K 5/061; H05K 5/065;
H05K 7/1409; H05K 7/1427; H05K
7/1487; H05K 7/1492; H05K 7/1494;
H05K 7/20145; H05K 7/20163; H05K
7/20172; H05K 7/20272; H05K 7/2039;
H05K 7/20436; H05K 7/20781; H05K
7/20809; H05K 7/20836; H05K 7/2089;
H05K 7/209; H05K 7/20954; H05K
7/20963; H05K 9/0007; H05K 9/0024;

H05K 9/0049; H05K 9/0052; H05K
9/0058; H05K 9/0064

See application file for complete search history.

(56)

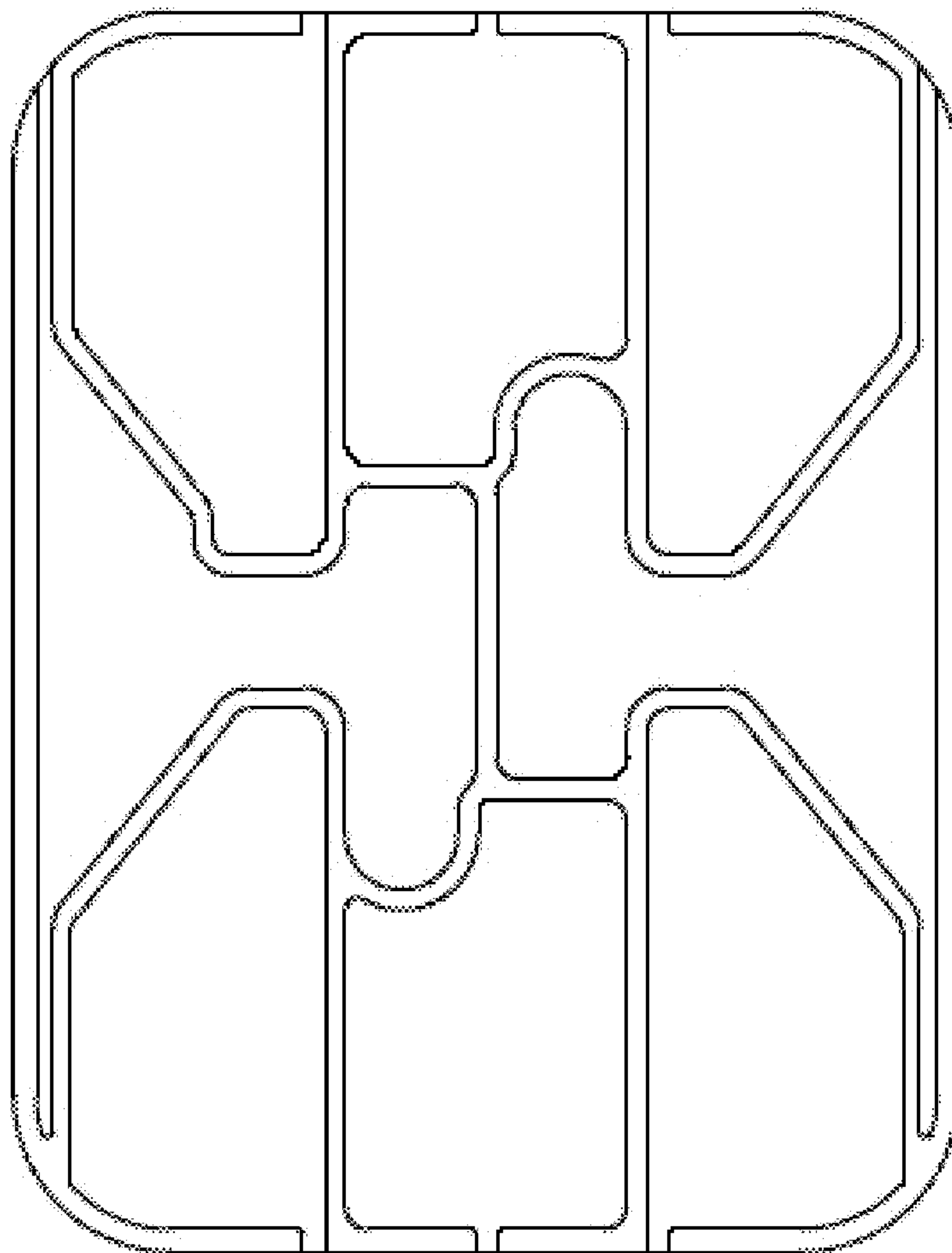
References Cited

U.S. PATENT DOCUMENTS

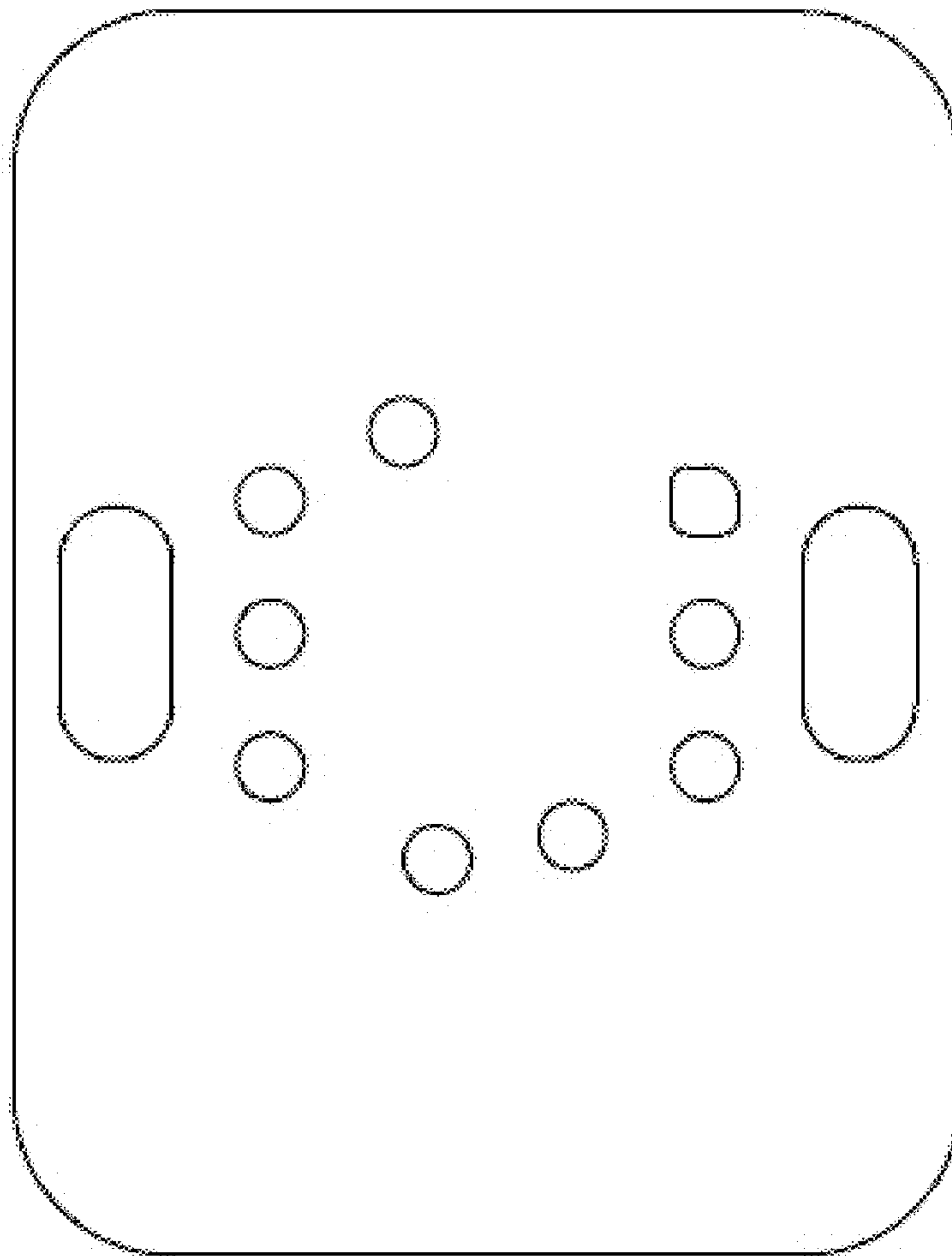
D712,854 S * 9/2014 Nakano D13/182
D735,203 S * 7/2015 Kim D14/436
D736,212 S * 8/2015 Kang D14/436
D739,856 S * 9/2015 Kang D14/436
D759,022 S * 6/2016 Beals D14/436
D772,232 S * 11/2016 Cho D14/436
D869,469 S * 12/2019 Lim D14/436
D869,470 S * 12/2019 Lim D14/436
D872,038 S * 1/2020 Pan D13/182
D902,164 S * 11/2020 Kondo D13/182
D922,337 S * 6/2021 Migliorino D13/173
D922,338 S * 6/2021 Migliorino D13/173
D930,601 S * 9/2021 McBride H01M 10/0525
D13/182
D938,374 S * 12/2021 McBride D13/182
D940,090 S * 1/2022 Huang D13/182

* cited by examiner

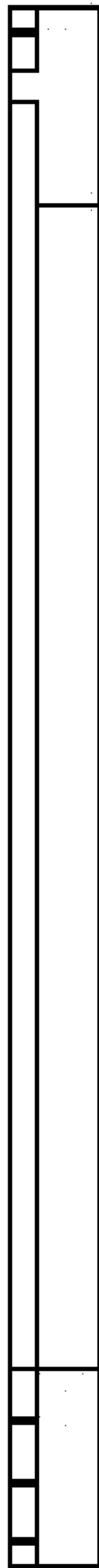
1.1



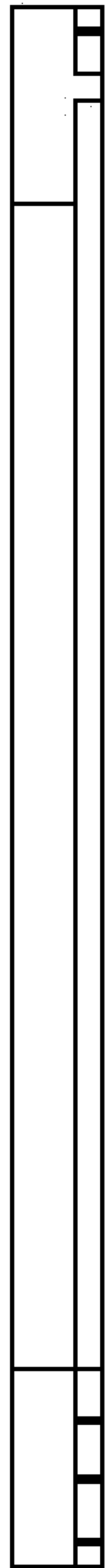
1.2



1.3



1.4



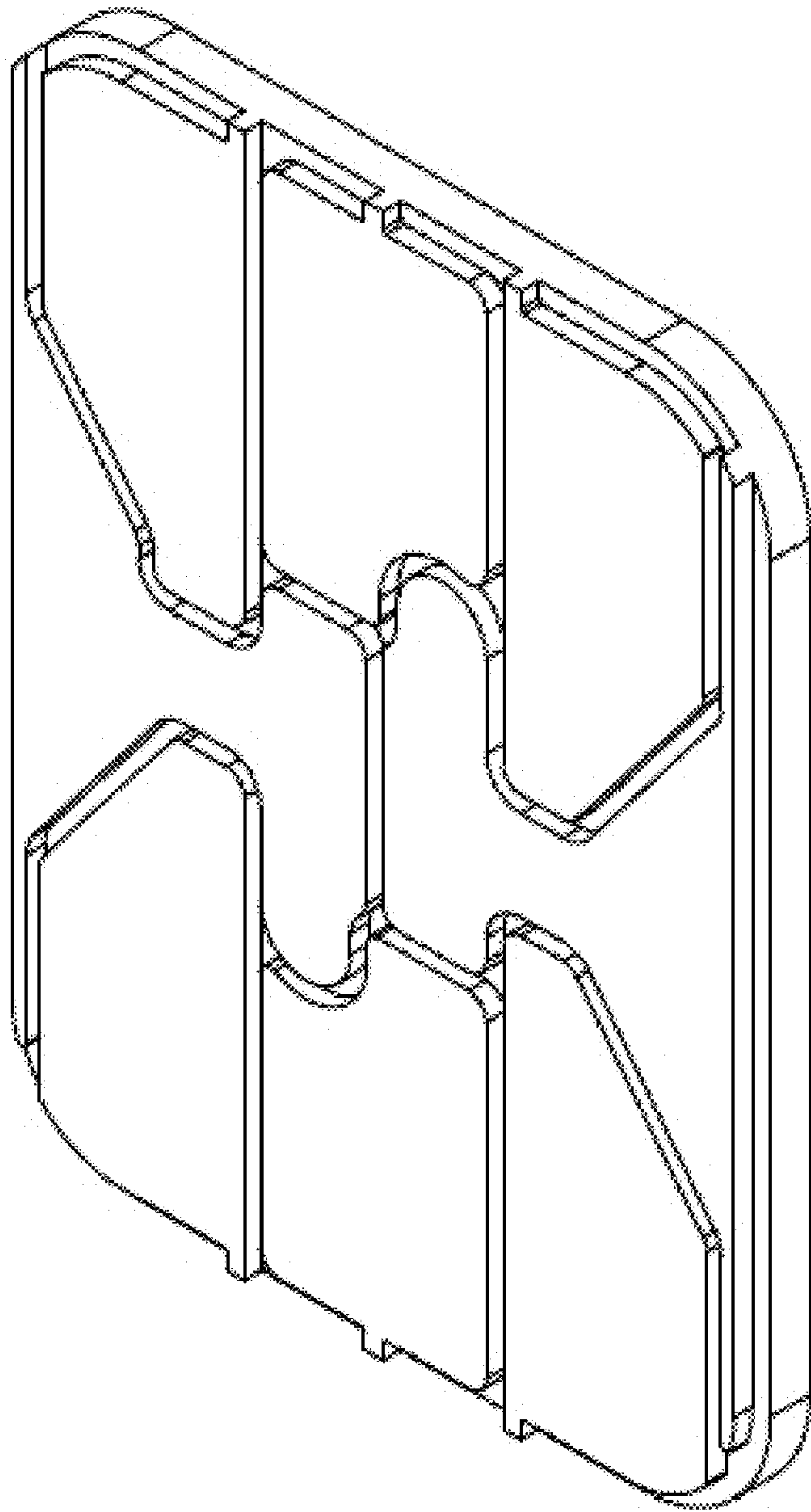
1.5



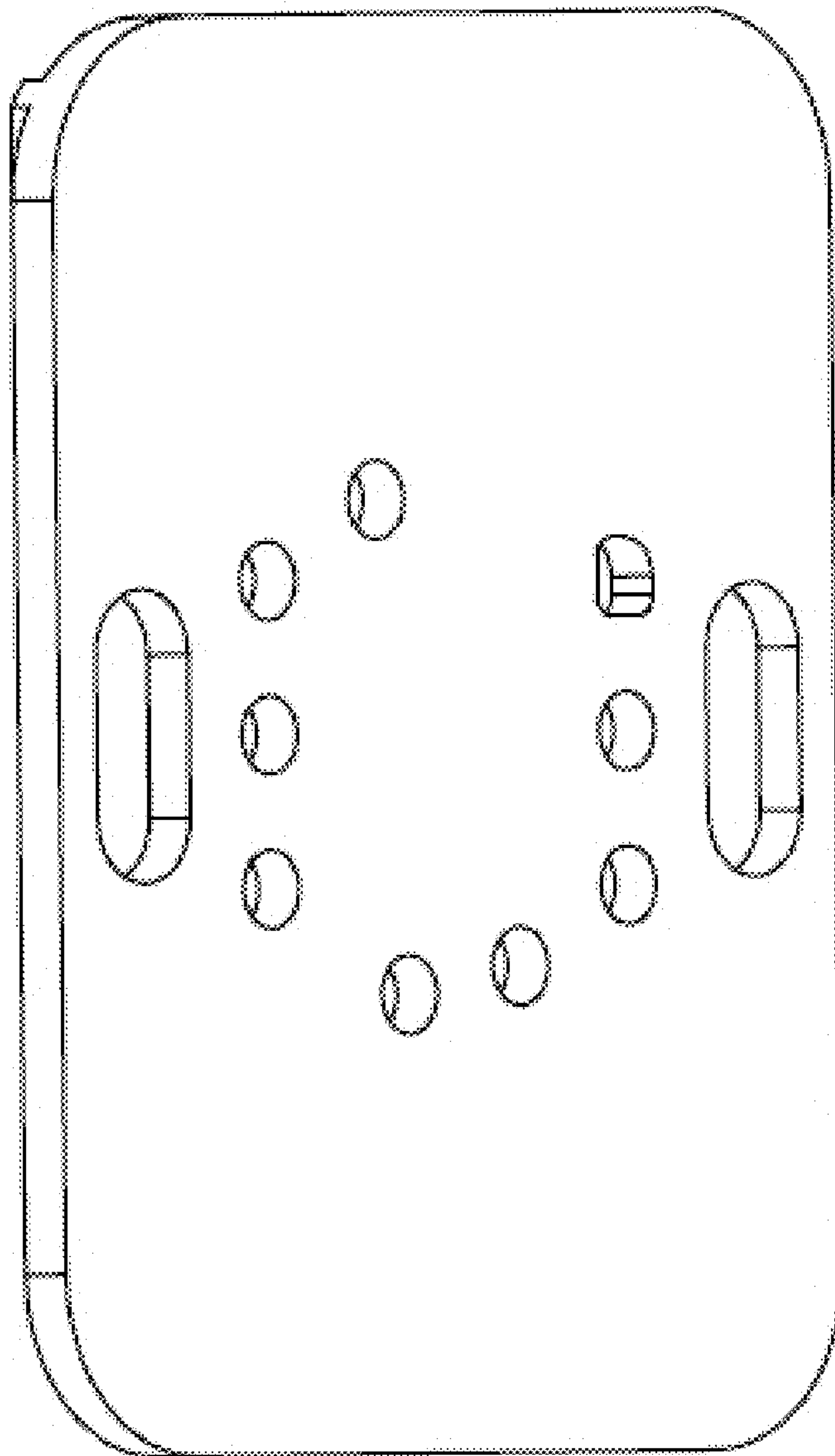
1.6



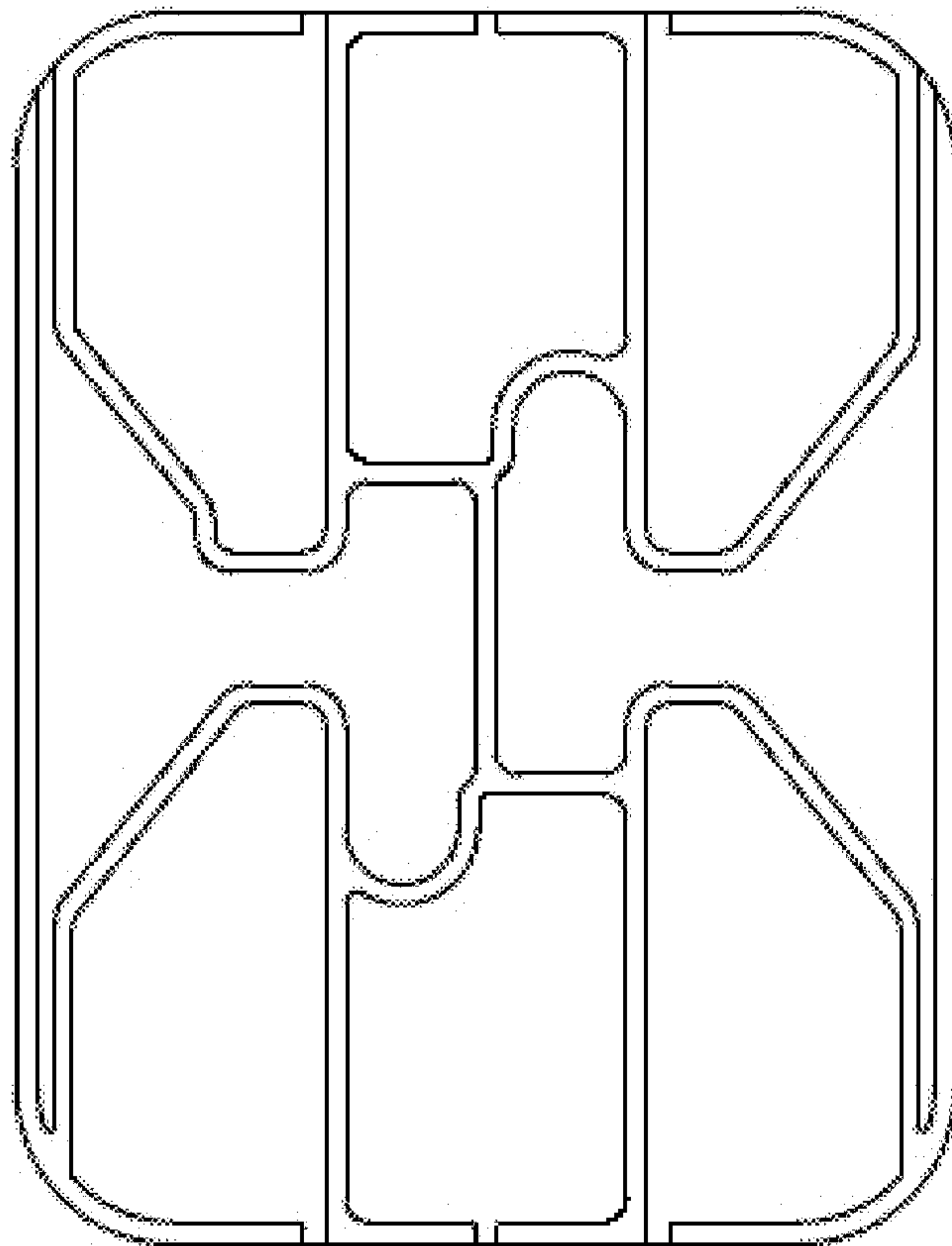
1.7



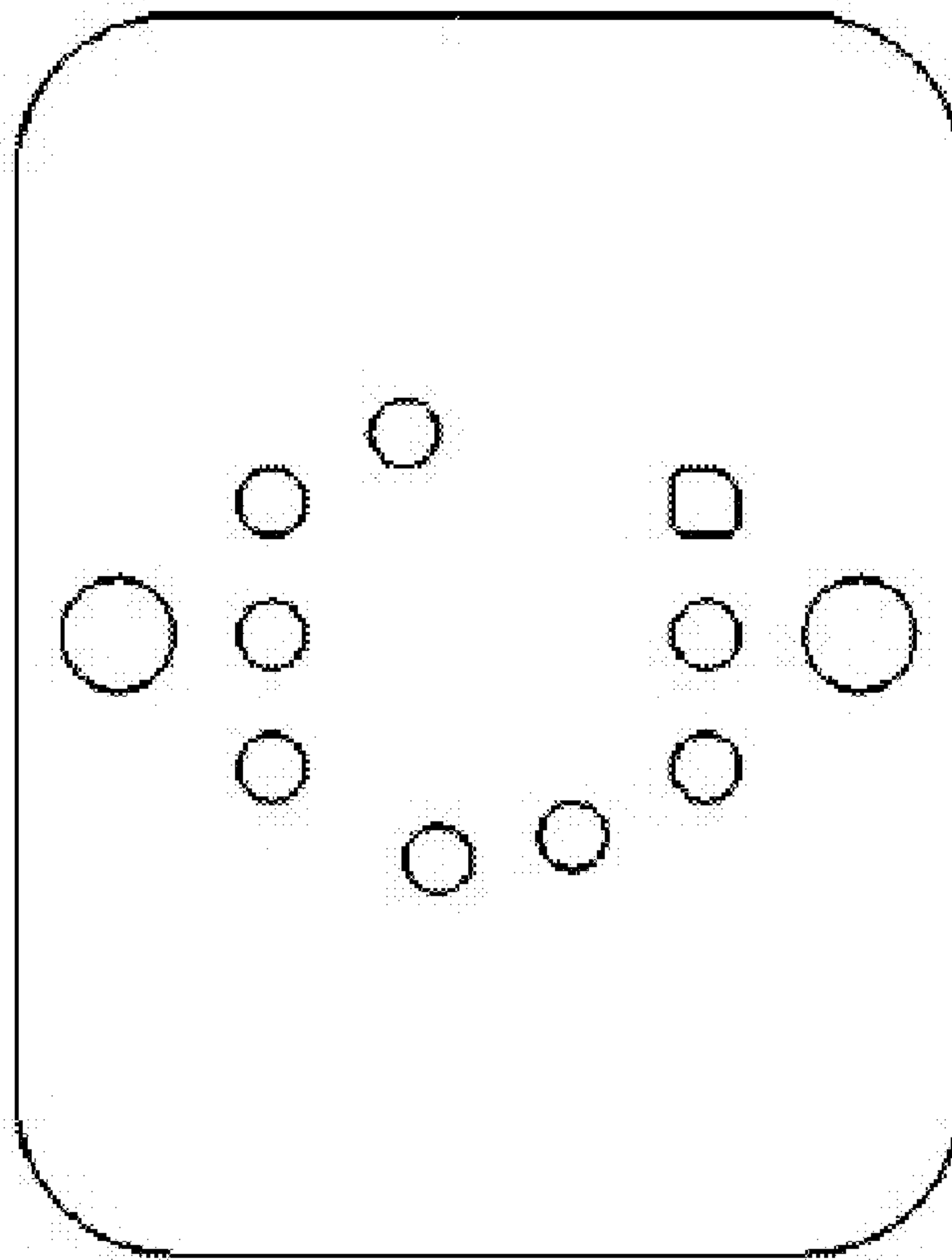
1.8



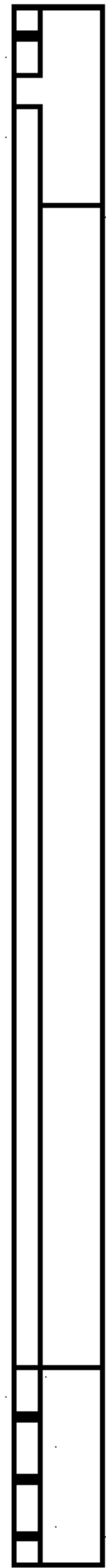
2.1



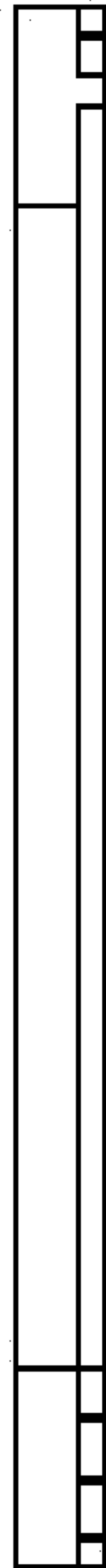
2.2



2.3



2.4



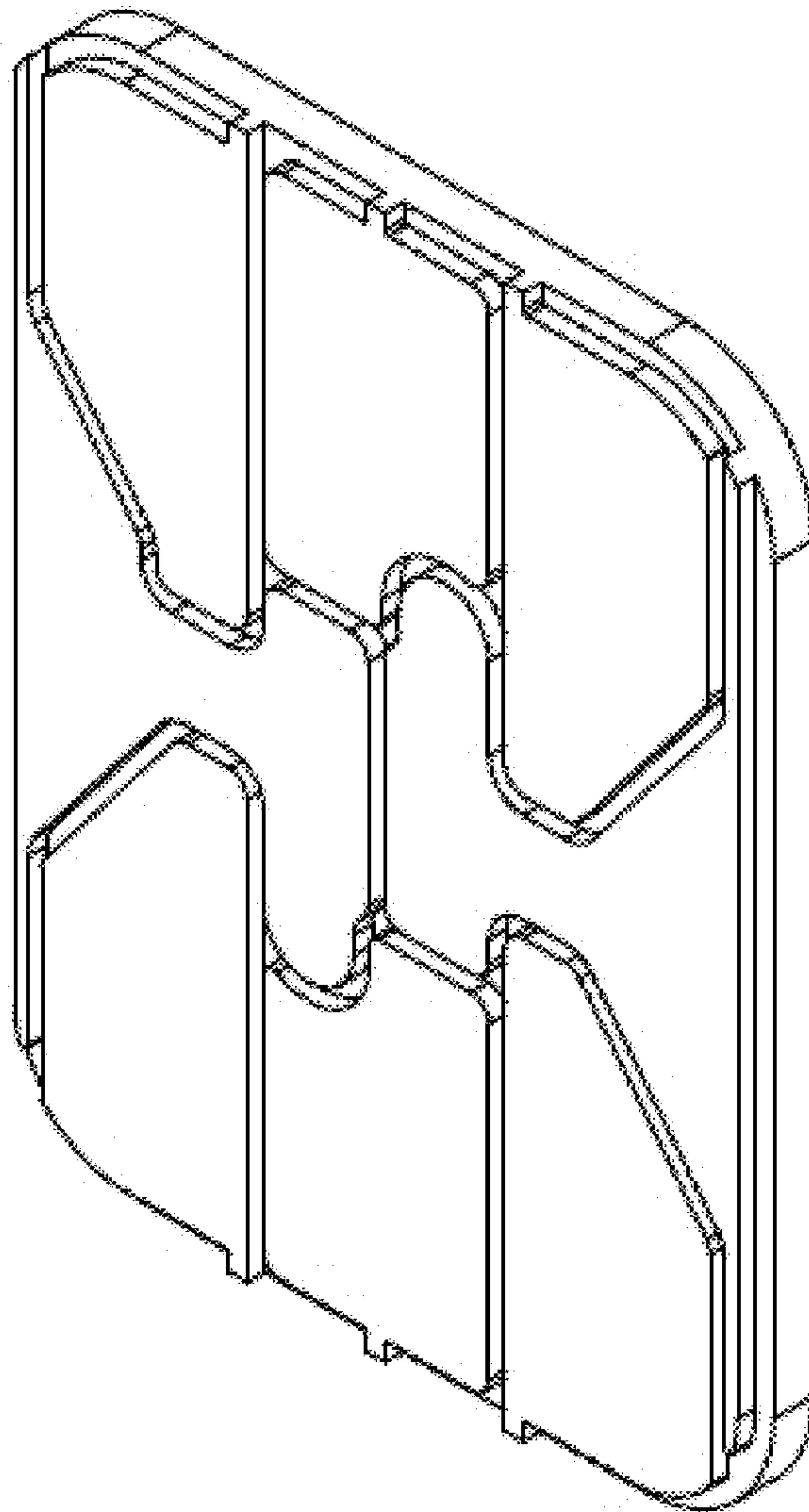
2.5



2.6



2.7



2.8

