



US00D954005S

(12) **United States Design Patent**
Inagaki et al.

(10) **Patent No.:** **US D954,005 S**
(45) **Date of Patent:** **** *Jun. 7, 2022**

(54) **HEATSINK**

(71) Applicant: **Furukawa Electric Co., Ltd.**, Tokyo (JP)

(72) Inventors: **Yoshikatsu Inagaki**, Tokyo (JP); **Shuta Hikichi**, Tokyo (JP)

(73) Assignee: **Furukawa Electric Co., Ltd.**, Tokyo (JP)

(*) Notice: This patent is subject to a terminal disclaimer.

(**) Term: **15 Years**

(21) Appl. No.: **29/727,572**

(22) Filed: **Mar. 11, 2020**

(30) **Foreign Application Priority Data**

Sep. 12, 2019 (JP) 2019-20398

(51) **LOC (13) Cl.** **13-03**

(52) **U.S. Cl.**
USPC **D13/179**

(58) **Field of Classification Search**

USPC D13/179, 145
CPC . F28D 15/0275; F28D 21/0003; F02M 26/32;
F28F 1/025; F28F 21/00; G02B 6/3885;
G02B 6/02042

See application file for complete search history.

(56) **References Cited**

U.S. PATENT DOCUMENTS

6,634,800 B2 * 10/2003 Suematsu G02B 6/3839
385/77
D541,232 S * 4/2007 Lee D13/179
D561,710 S * 2/2008 Lin D13/179
D561,711 S * 2/2008 Lin D13/179
D582,359 S * 12/2008 Chang D13/179
D587,217 S 2/2009 Yun et al.

D660,256 S 5/2012 Yoon et al.
D715,750 S 10/2014 Mira et al.
D722,573 S 2/2015 Mira et al.
D742,337 S 11/2015 Watanabe et al.
D795,821 S * 8/2017 Mira D13/179
D803,169 S * 11/2017 Mira D13/179
D805,042 S 12/2017 Huang

(Continued)

FOREIGN PATENT DOCUMENTS

JP D1537917 * 11/2015

OTHER PUBLICATIONS

U.S. Appl. No. 29/727,573 titled "Heat Sink" filed Mar. 11, 2020.
(Continued)

Primary Examiner — Rosemary K Tarcza

Assistant Examiner — Seth David Kumpf

(74) *Attorney, Agent, or Firm* — Dorsey & Whitney LLP

(57) **CLAIM**

The ornamental design for a heatsink, as shown and described.

DESCRIPTION

FIG. 1 shows a top isometric view of a heatsink in accordance with the present design.

FIG. 2 shows a bottom isometric view of the heatsink in FIG. 1.

FIG. 3 shows a top view of the heatsink in FIG. 1.

FIG. 4 shows a bottom view of the heatsink in FIG. 1.

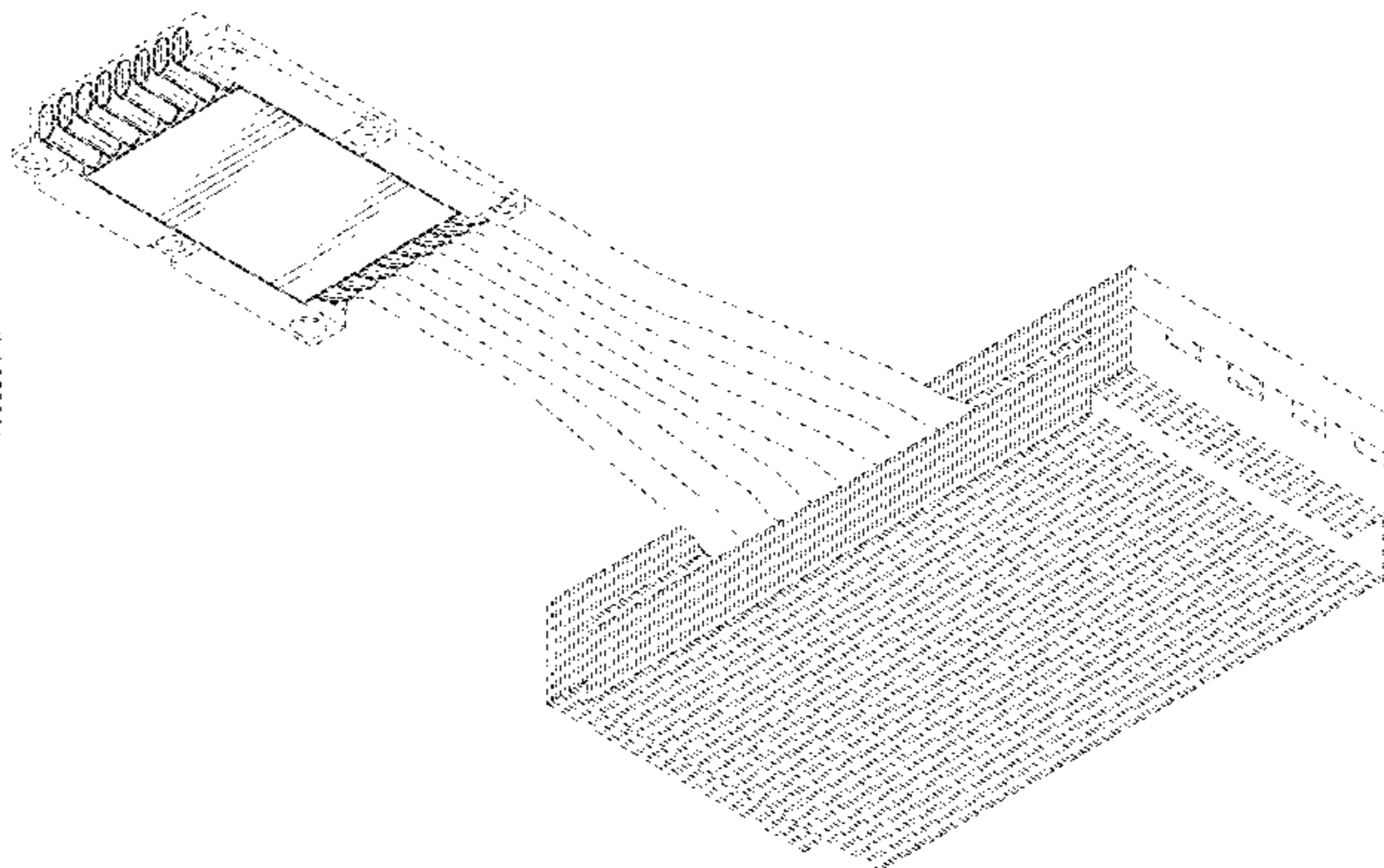
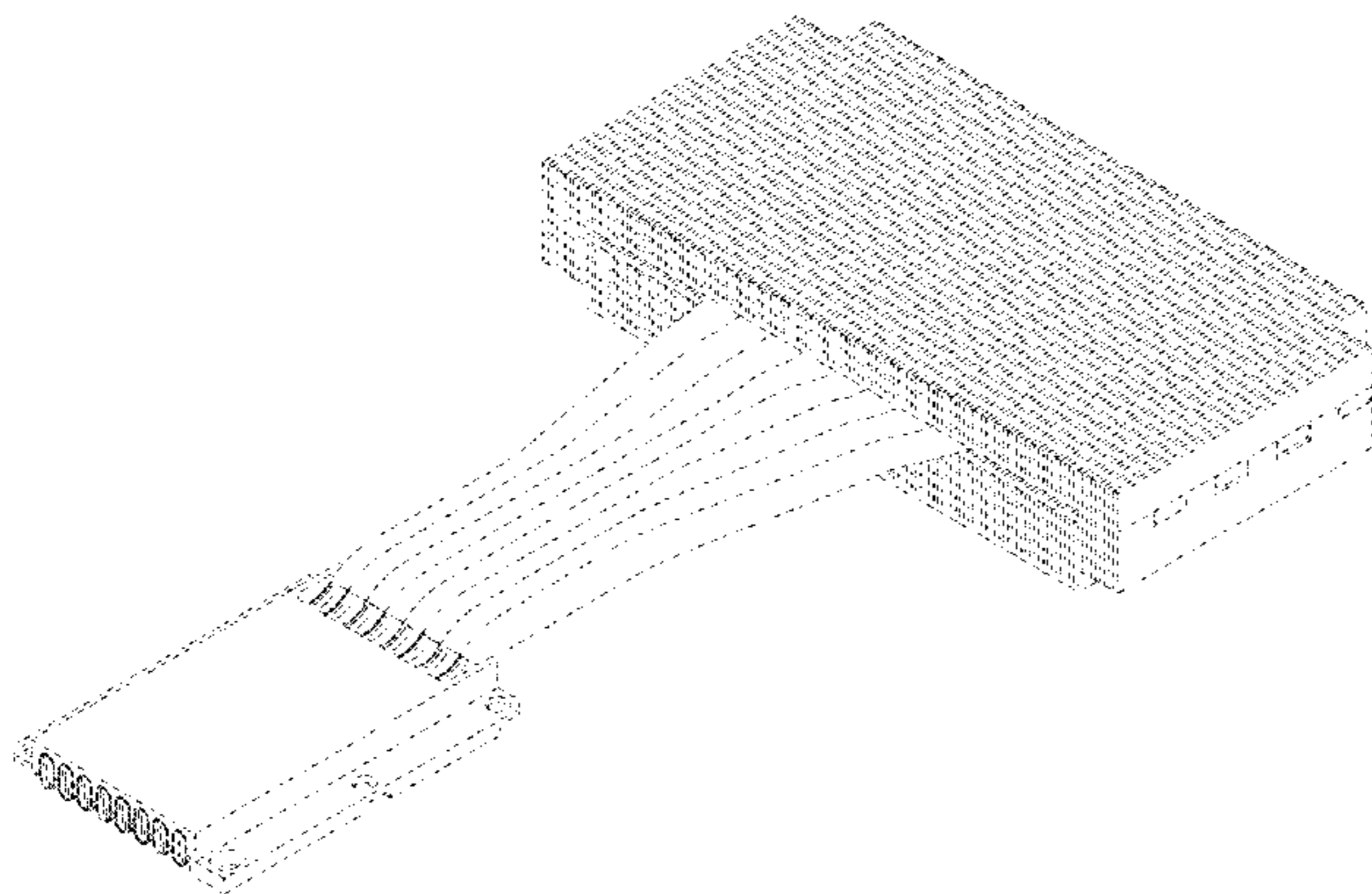
FIG. 5 shows a right side view of the heatsink in FIG. 1.

FIG. 6 shows a left side view of the heatsink in FIG. 1.

FIG. 7 shows a front view of the heatsink in FIG. 1; and, FIG. 8 shows a rear view of the heatsink in FIG. 1.

The even broken lines illustrate environment that forms no part of the claimed design. The dot-dash broken lines represent boundary lines and form no part of the claimed design.

1 Claim, 6 Drawing Sheets



(56)

References Cited

U.S. PATENT DOCUMENTS

D829,673 S * 10/2018 Mira D13/179
 D833,988 S 11/2018 Huang
 D905,647 S 12/2020 Mira et al.
 11,150,028 B2 10/2021 Ito et al.
 2010/0002380 A1* 1/2010 Yao G06F 1/20
 361/690
 2010/0206521 A1* 8/2010 Kwan H01L 23/3672
 165/104.26
 2010/0270007 A1 10/2010 Lin
 2011/0192026 A1 8/2011 Chen
 2012/0145356 A1 6/2012 Paschkewitz et al.
 2013/0044433 A1 2/2013 Lee
 2015/0043869 A1* 2/2015 Kuo G02B 6/3861
 385/53
 2016/0298909 A1 10/2016 Yeh et al.
 2016/0313067 A1 10/2016 Shieh et al.
 2017/0307299 A1* 10/2017 Huang F28D 15/02
 2018/0128552 A1* 5/2018 Ito H05K 7/20409
 2018/0284356 A1* 10/2018 Haase G02B 6/3885
 2019/0170446 A1 6/2019 He et al.

2019/0269035 A1 8/2019 Saturley et al.
 2020/0191494 A1 6/2020 Ito et al.
 2020/0326131 A1 10/2020 Hikichi et al.
 2020/0355443 A1 11/2020 Tochigi et al.
 2021/0018272 A1 1/2021 Inagaki et al.
 2021/0208385 A1 7/2021 Pascale
 2021/0318072 A1 10/2021 Ito et al.

OTHER PUBLICATIONS

U.S. Appl. No. 29/727,570 titled "Heat Sink" filed Mar. 11, 2020.
 U.S. Appl. No. 29/696,679 titled "Heatsink" filed Jun. 28, 2019.
 Eteknix, "Cooler Master TPC 800 Vapour Chamber CPU Cooler Review", Published "9 Years ago", at latest Nov. 8, 2012 as indicated by comment replies, ([https://www .eteknix.com/cooler-master-tpc-800-vapour-chamber-cpu-cooler-review/all/1/](https://www.eteknix.com/cooler-master-tpc-800-vapour-chamber-cpu-cooler-review/all/1/)) (Year: 2012).
 Eteknix, "Noctua NH-D9L Dual-Tower CPU Cooler Review", Published "6 Years ago", at latest Jan. 20, 2016 as indicated by comment replies, (<https://www.eteknix.com/noctua-nh-d9l-dual-tower-cpu-cooler-review/2/>) (Year: 2016).

* cited by examiner

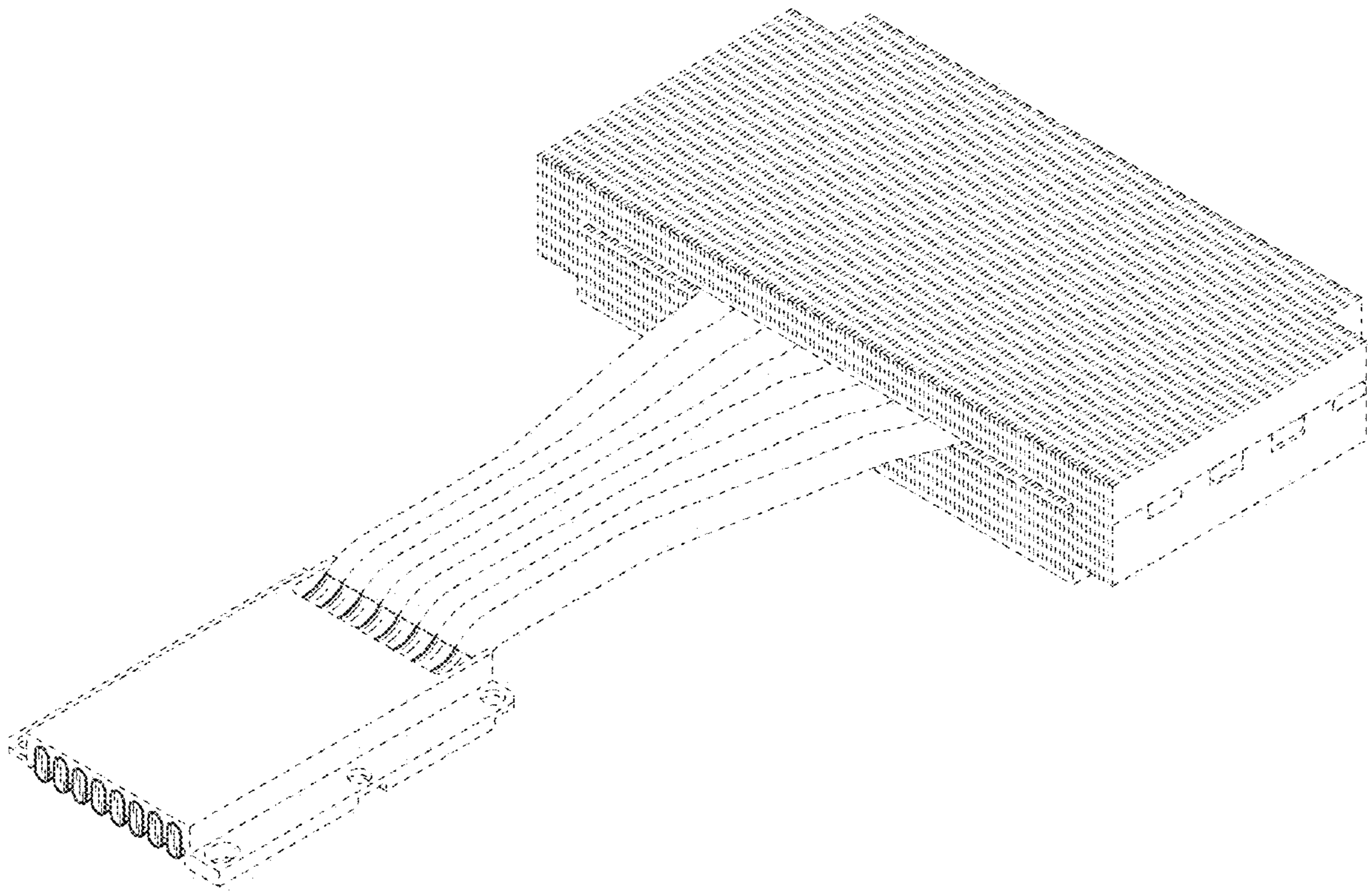


FIG. 1

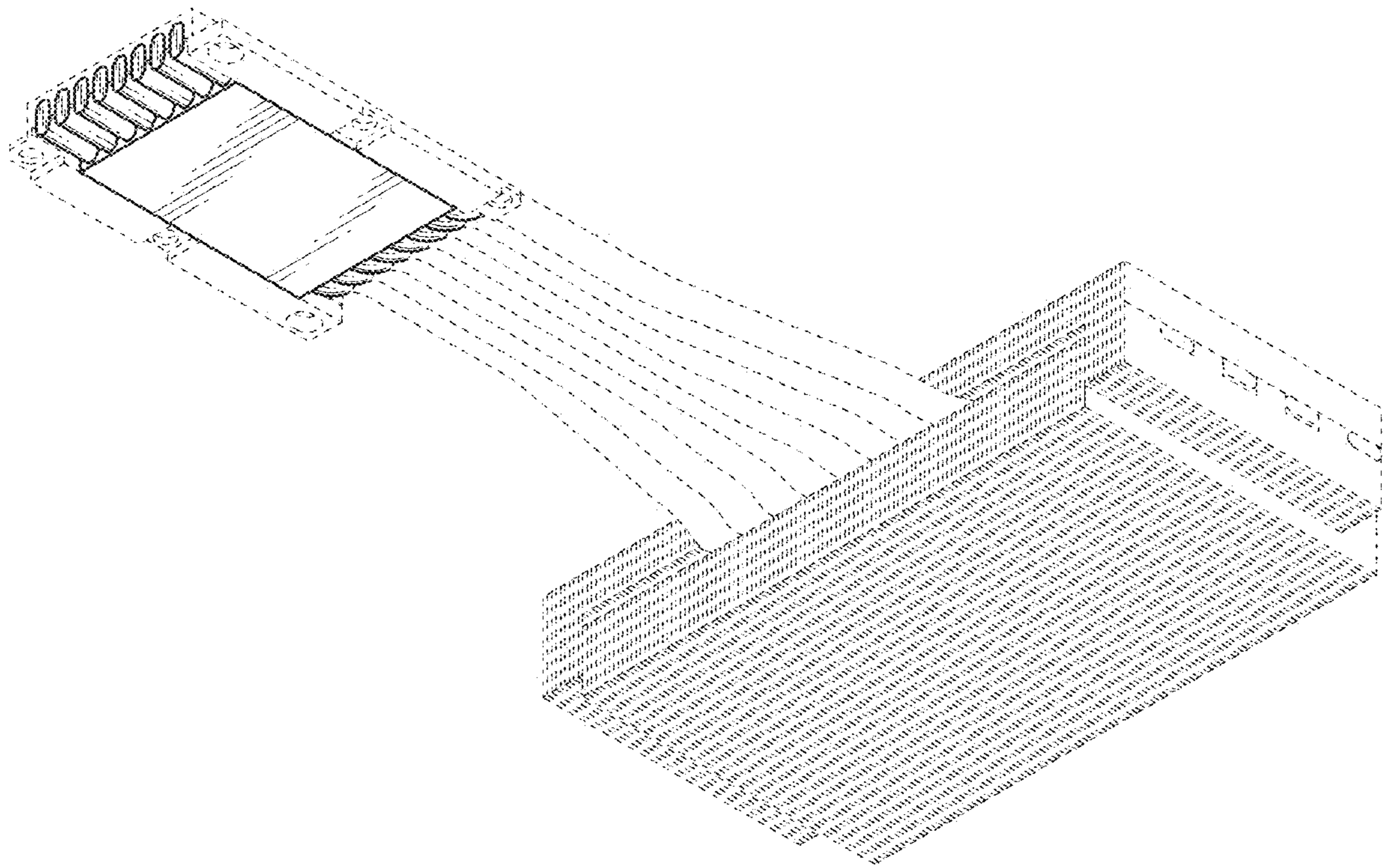


FIG. 2

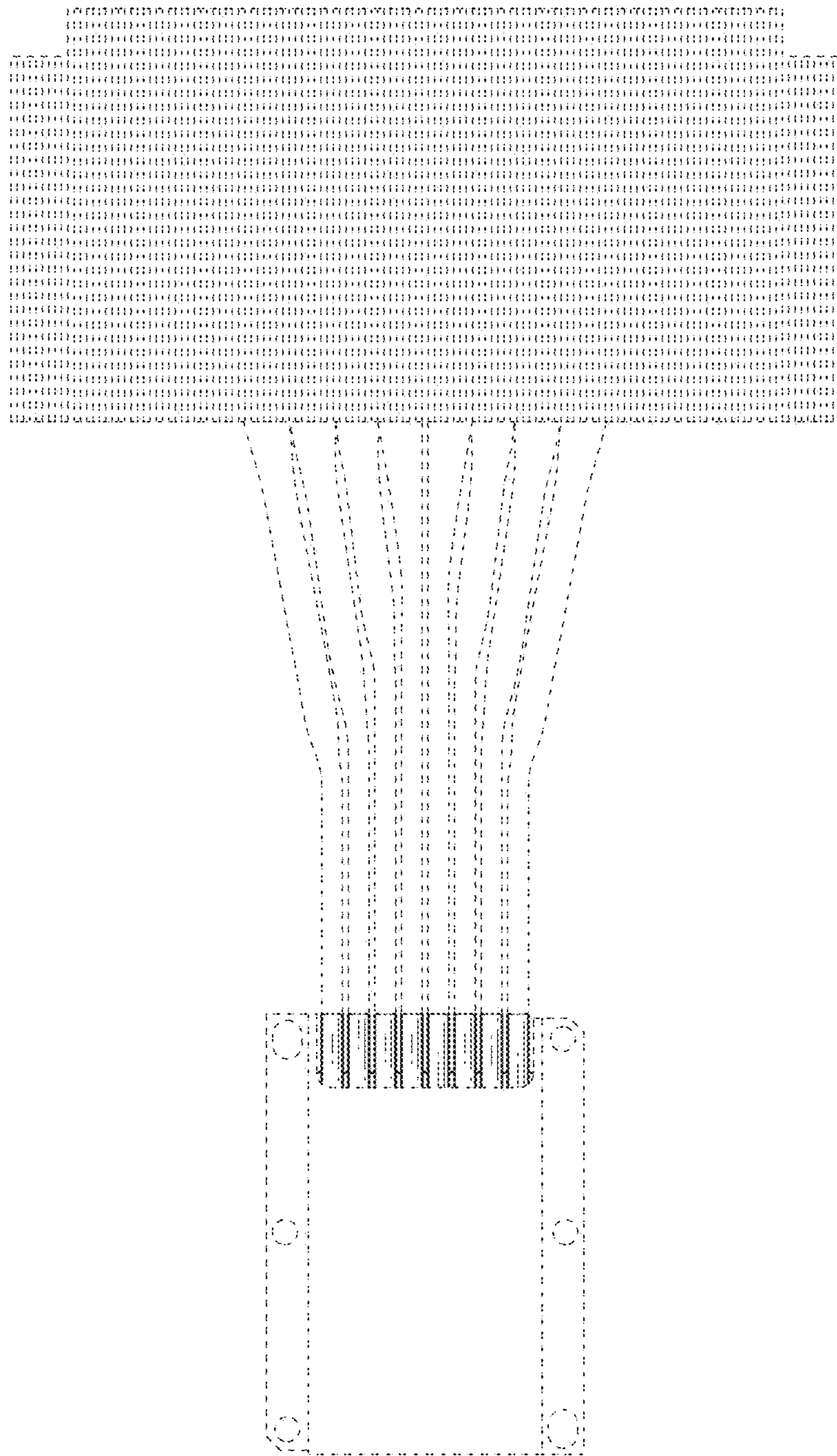


FIG. 3

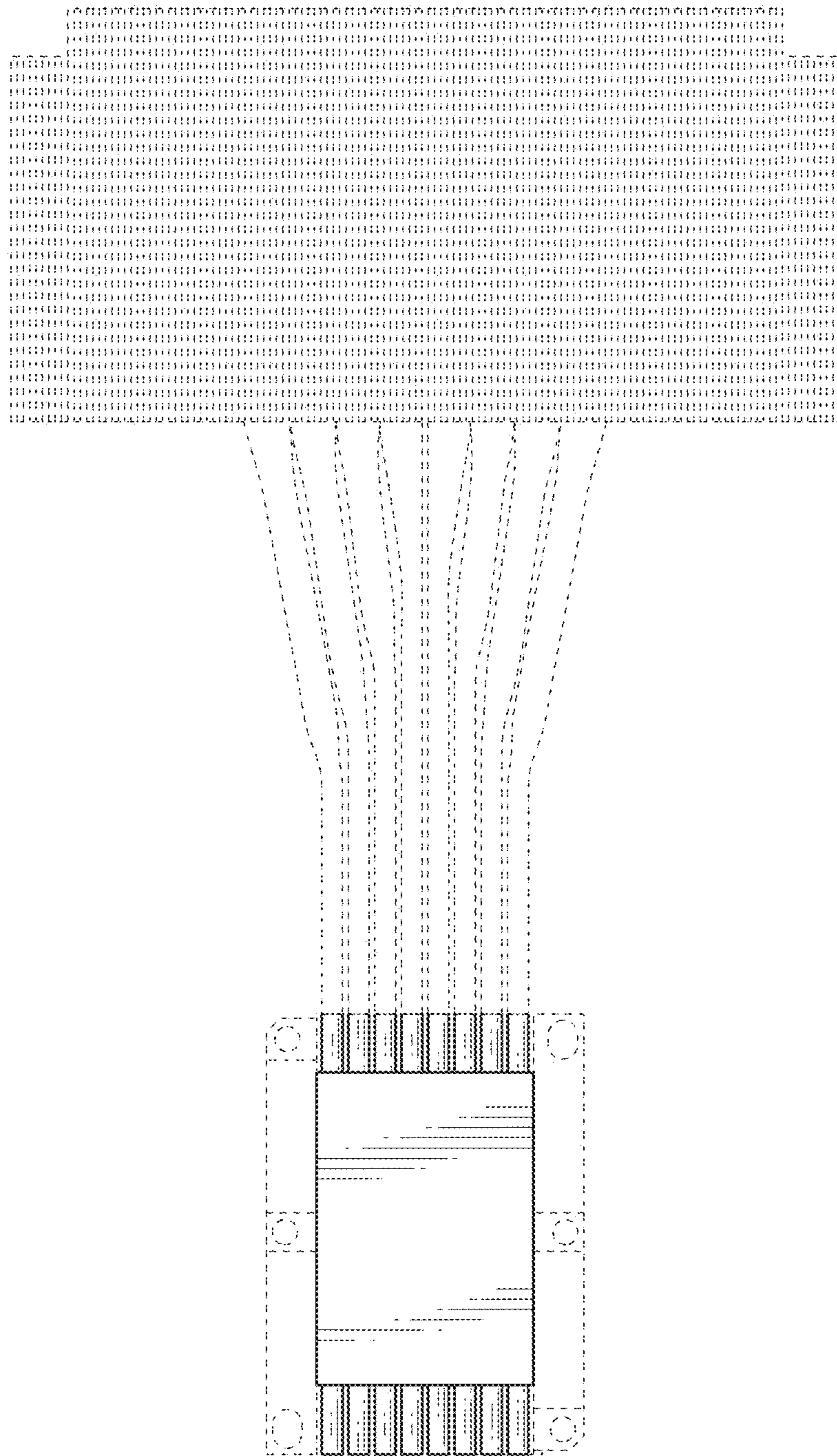


FIG. 4

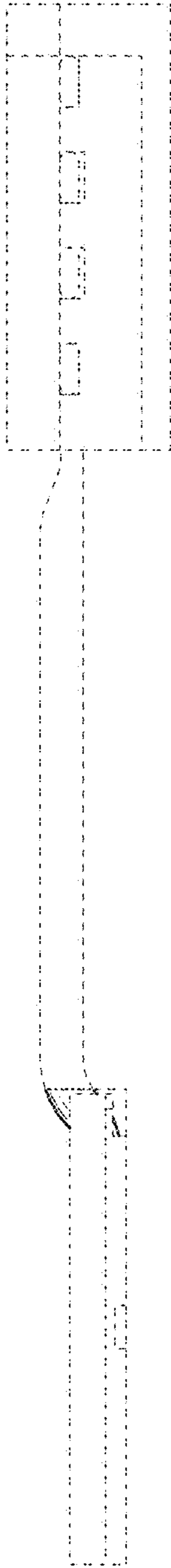


FIG. 5

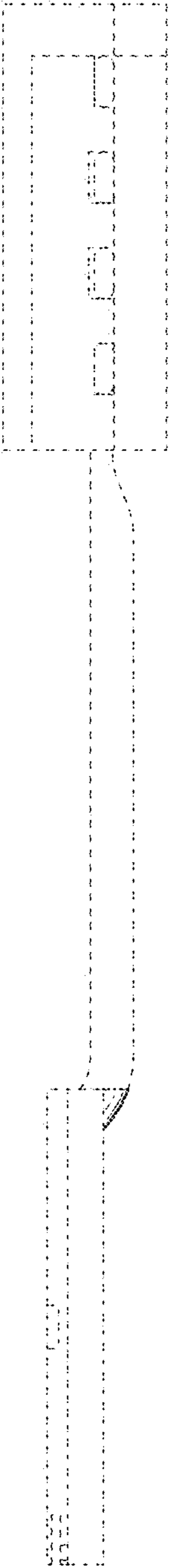


FIG. 6

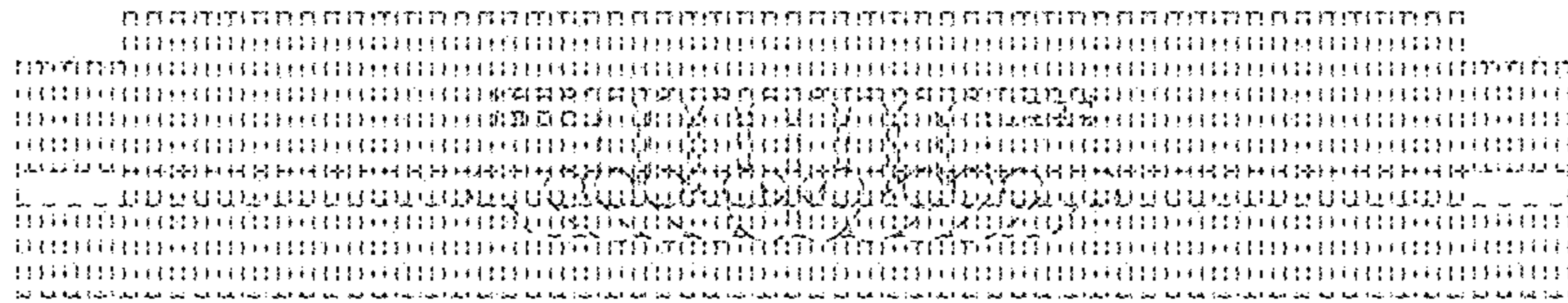


FIG. 7

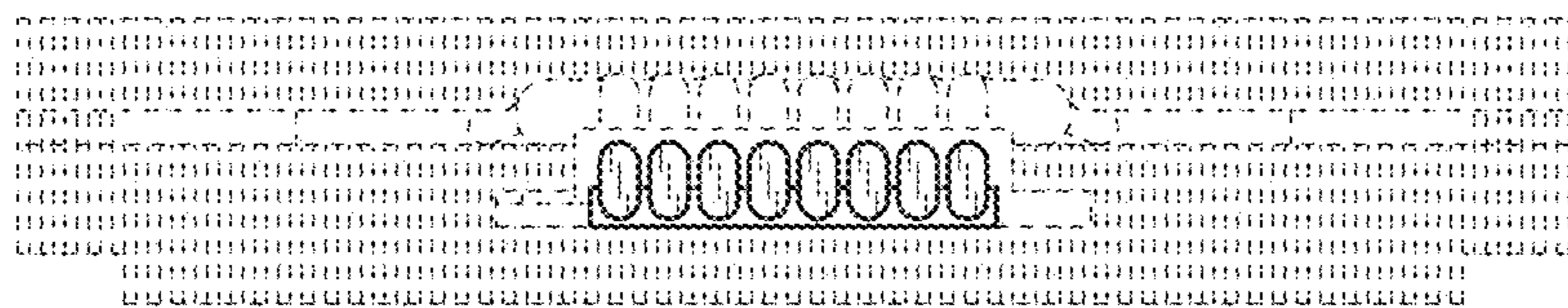


FIG. 8