



(56)

**References Cited**

U.S. PATENT DOCUMENTS

6,260,434	B1	7/2001	Holtorf	
6,360,630	B2	3/2002	Holtorf	
6,452,120	B1	9/2002	Chen	
6,452,123	B1	9/2002	Chen	
6,674,030	B2	1/2004	Chen et al.	
D708,593	S *	7/2014	Lynn	D13/179
9,659,553	B1 *	5/2017	Lawrence	G10H 1/348
D867,307	S *	11/2019	Braaten	D13/167
D878,308	S *	3/2020	Engler	D13/167
10,747,255	B2 *	8/2020	Gahler	A61F 9/00736
10,901,450	B2 *	1/2021	Jawidzik	G05G 1/44
10,925,680	B2 *	2/2021	Jawidzik	A61B 34/25
D911,982	S *	3/2021	Colter	D13/167
2004/0106915	A1	6/2004	Thoe	
2005/0103607	A1	5/2005	Mezhinsky	
2008/0067046	A1 *	3/2008	Dacquay	H01H 3/14 200/86.5
2011/0106068	A1	5/2011	Horvath et al.	
2013/0169412	A1	7/2013	Roth	
2014/0135785	A1	5/2014	Tran et al.	
2014/0364864	A1	12/2014	Lynn et al.	
2015/0148615	A1	5/2015	Brennan et al.	
2015/0173725	A1 *	6/2015	Maxson	A61B 17/00 606/1
2017/0136159	A1	5/2017	Mallough	
2021/0386412	A1 *	12/2021	Colter	A61F 9/00745

\* cited by examiner

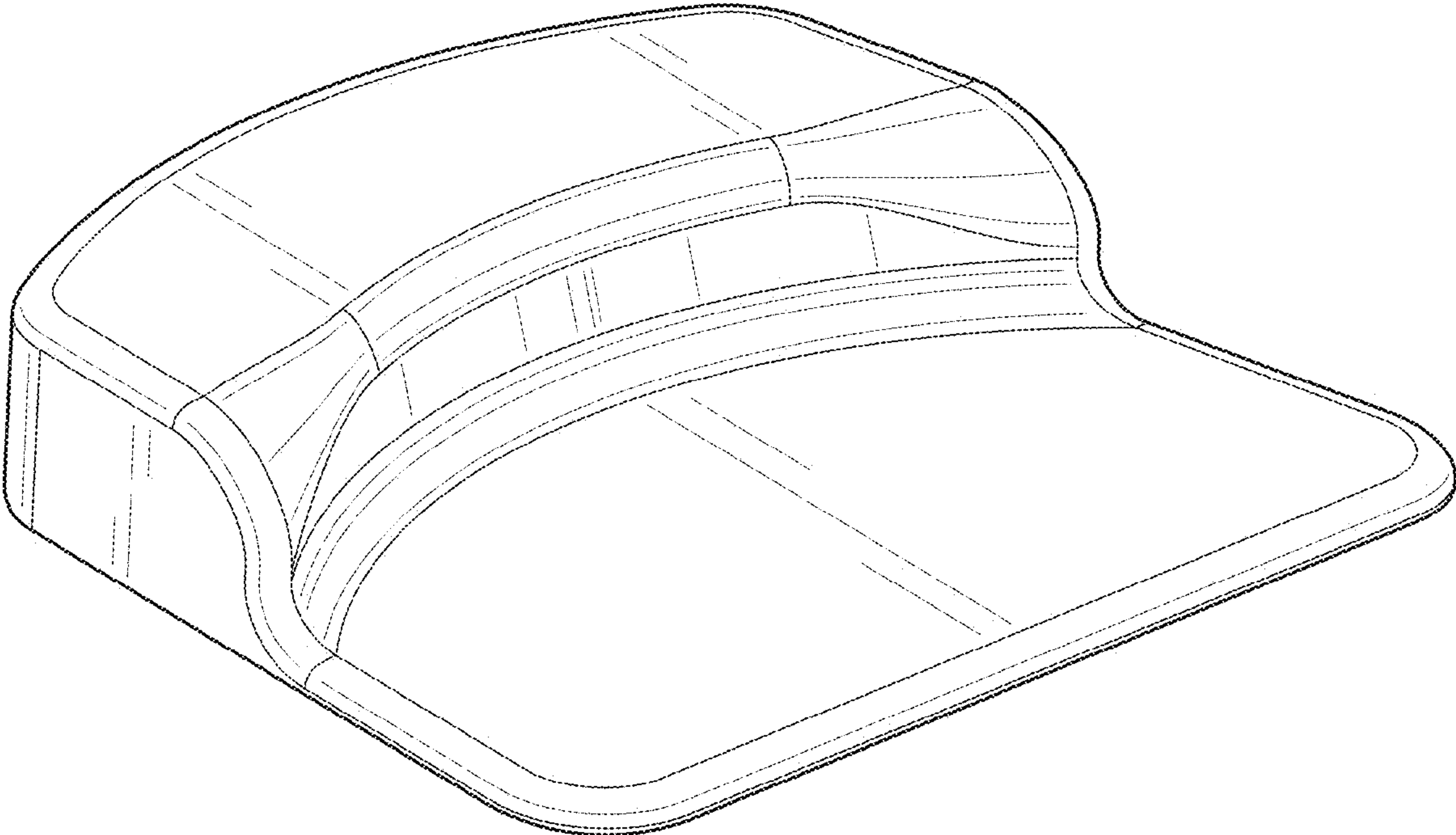


FIG. 1

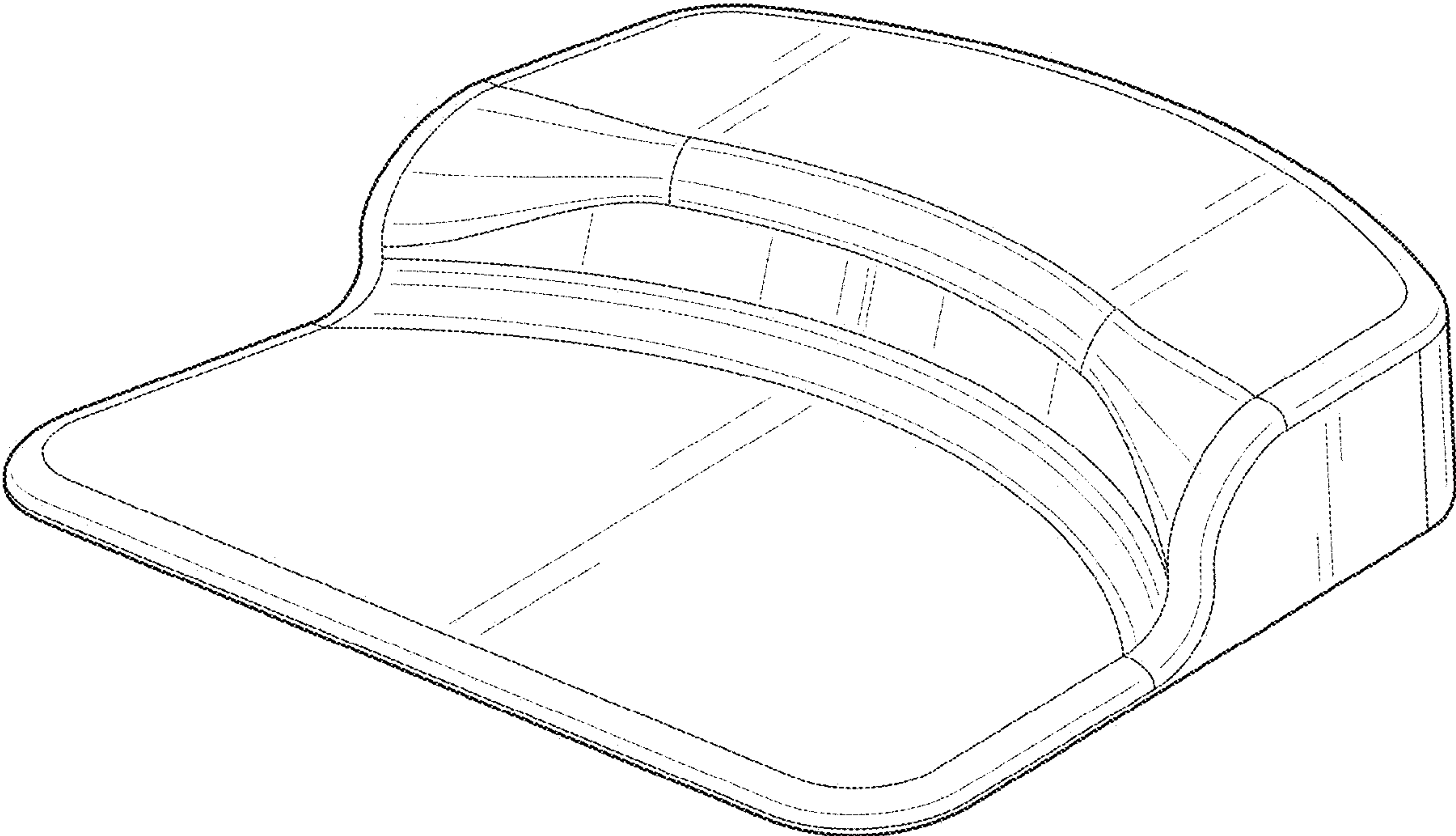


FIG. 2



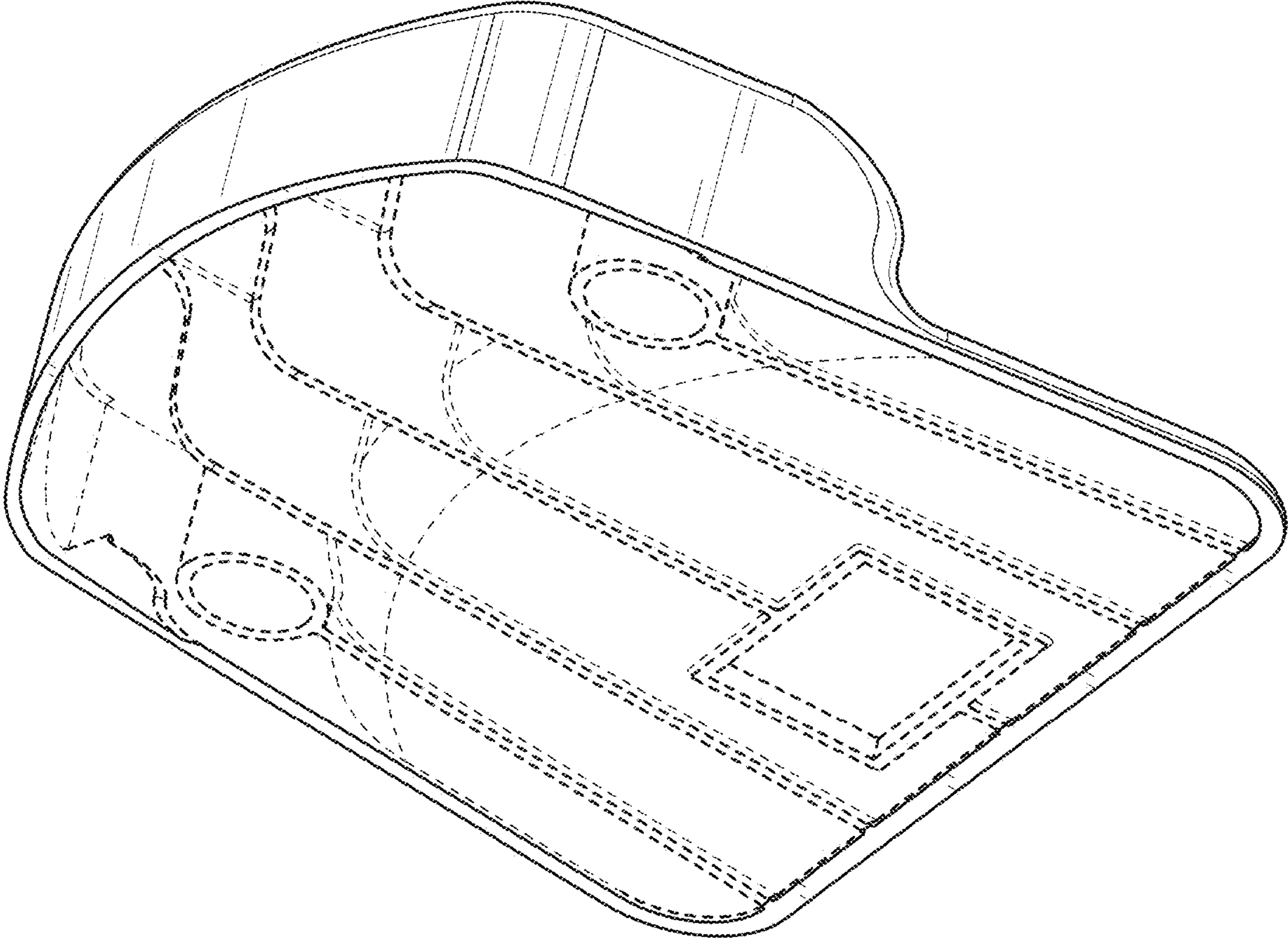


FIG. 3

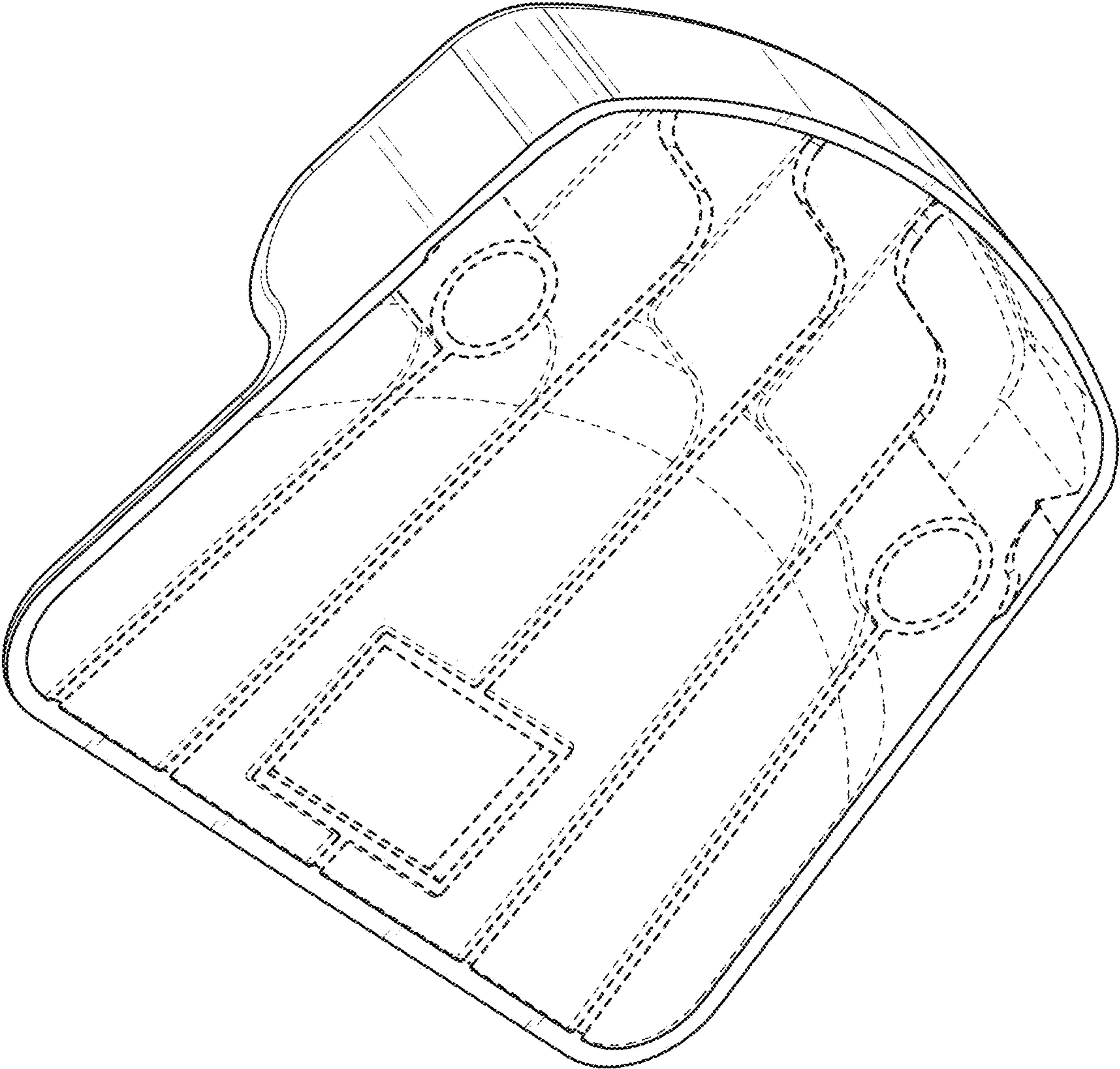


FIG. 4

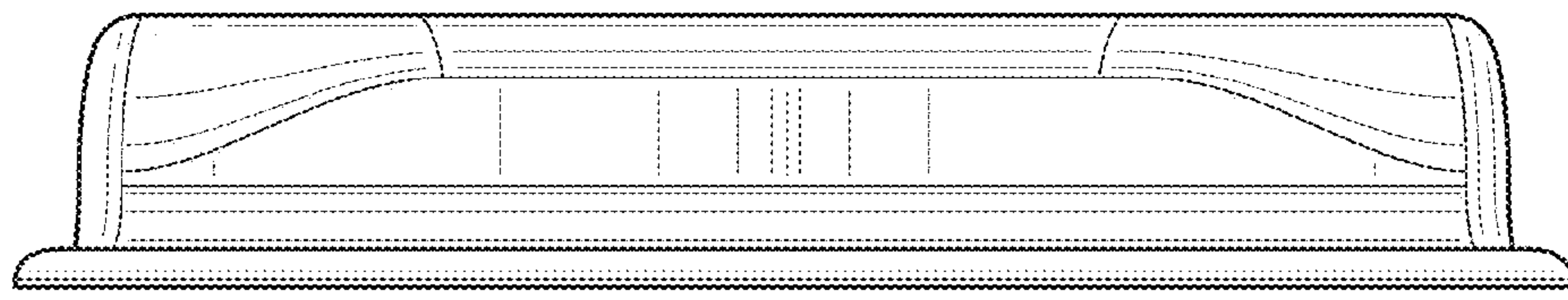


FIG. 5

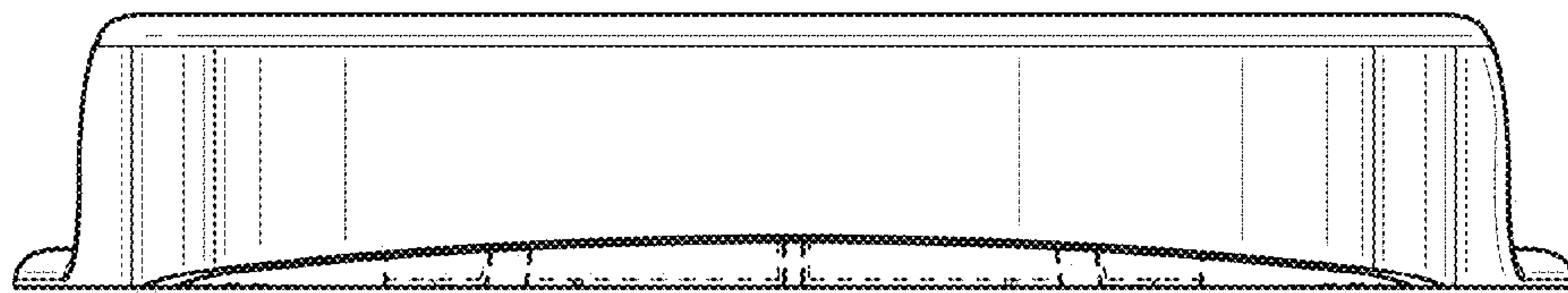


FIG. 6

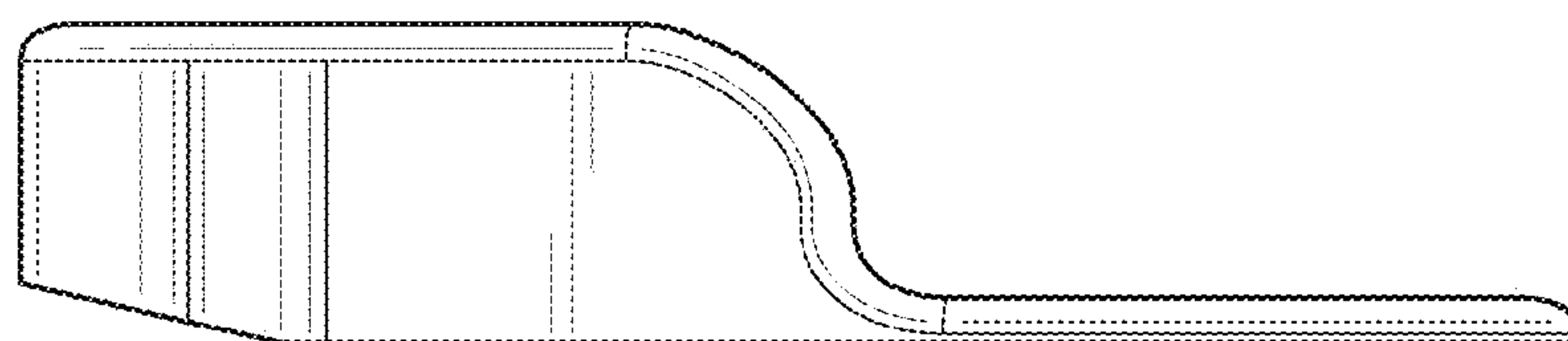


FIG. 7

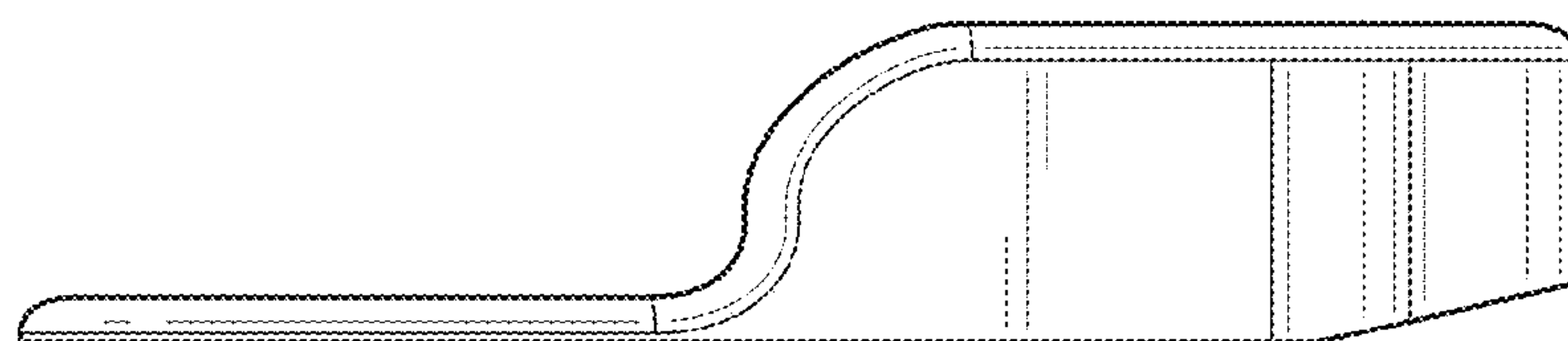


FIG. 8

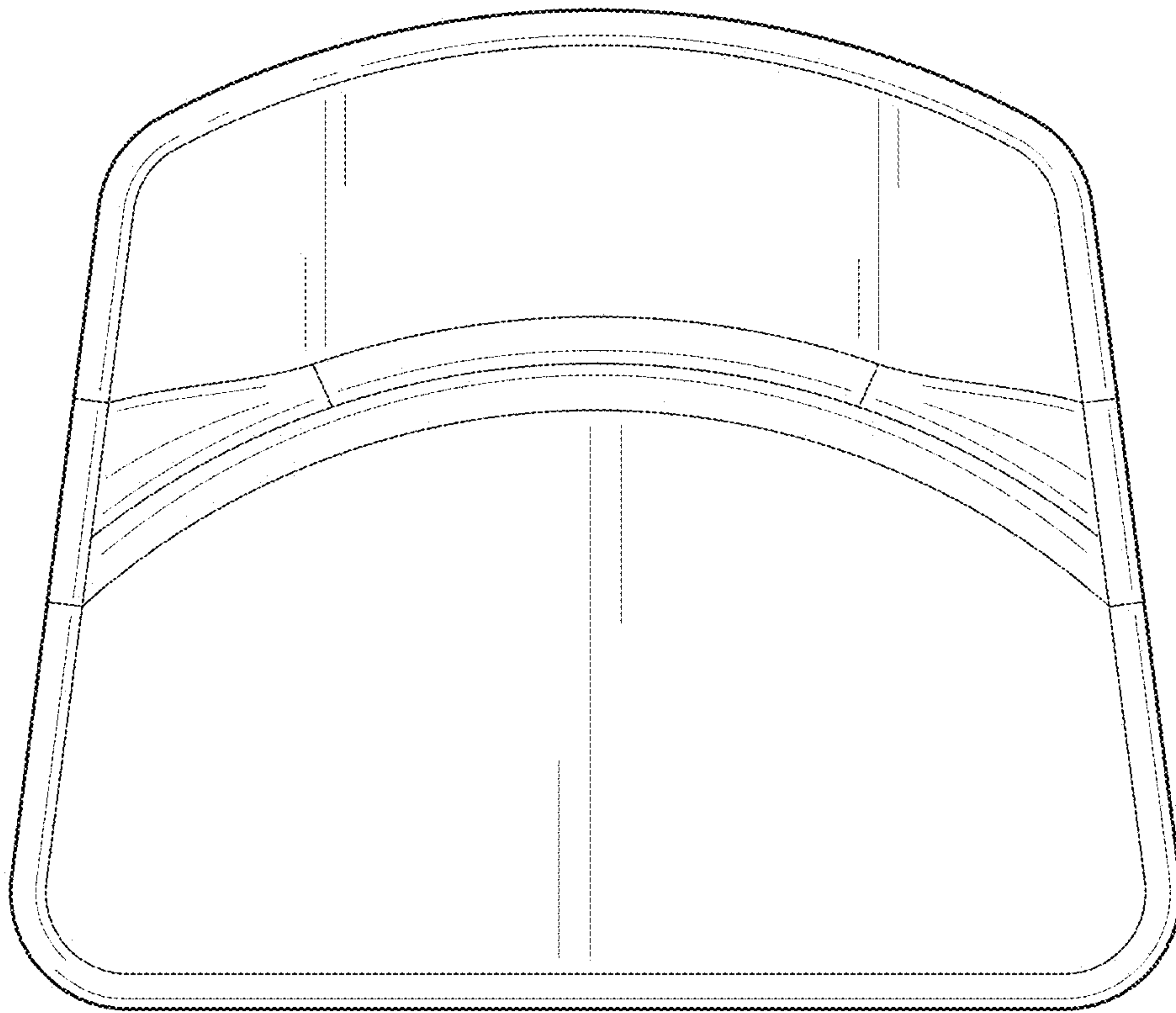


FIG. 9

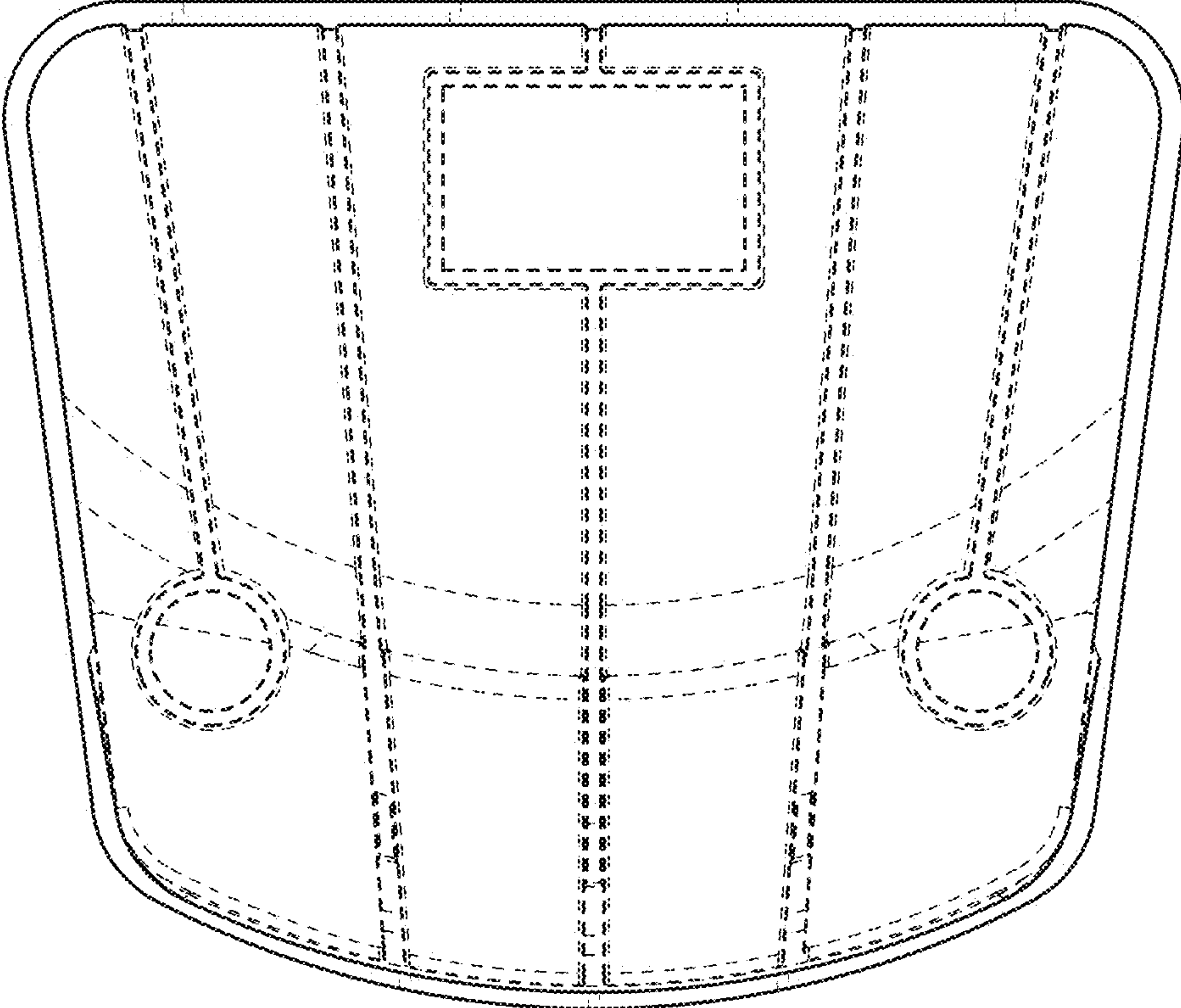


FIG. 10



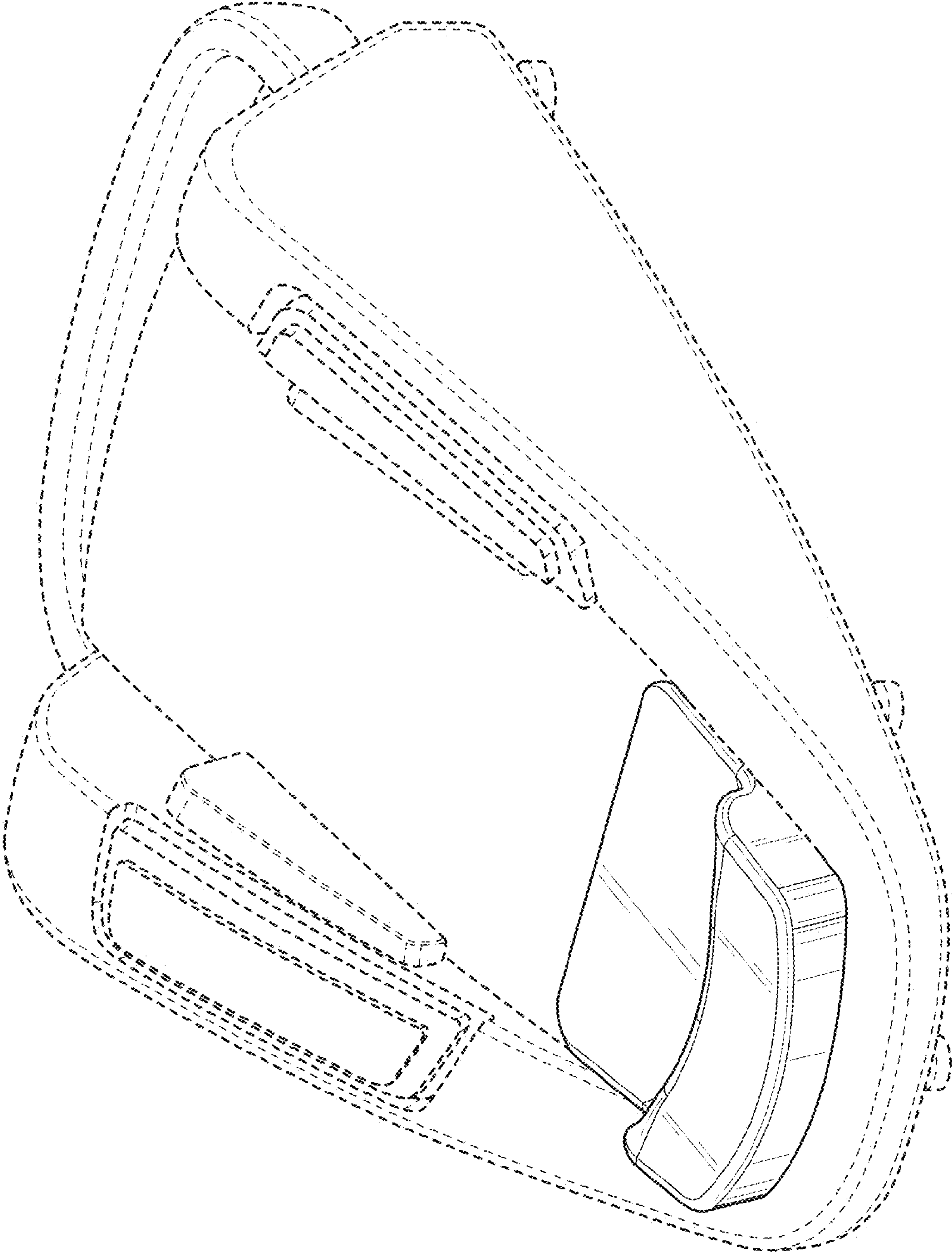


FIG. 11