



US00D954003S

(12) **United States Design Patent**
Nie

(10) **Patent No.:** **US D954,003 S**

(45) **Date of Patent:** **** Jun. 7, 2022**

(54) **CONTROL PANEL**

(71) Applicant: **ChengDu Tianyu Hi-Tech Co.,Ltd,**
Chengdu (CN)

(72) Inventor: **Yong Nie,** Chengdu (CN)

(**) Term: **15 Years**

(21) Appl. No.: **29/751,672**

(22) Filed: **Sep. 23, 2020**

(51) **LOC (13) Cl.** **13-03**

(52) **U.S. Cl.**
USPC **D13/164**

(58) **Field of Classification Search**
USPC D13/162, 164, 171, 177; D12/192;
D23/324

CPC .. H01H 3/12; H01H 9/02; H01H 9/16; H01H
9/18; H01H 9/181; H01H 9/182; H01H
13/04; H01H 13/14; H01H 2009/187;
H05B 39/02; H05B 39/04; H05B 39/085;
H05B 39/086; H05B 39/088

See application file for complete search history.

(56) **References Cited**

U.S. PATENT DOCUMENTS

D230,486 S *	2/1974	MacDonald	D13/164
5,475,192 A *	12/1995	Inagaki	H01H 13/705 200/341
6,066,225 A *	5/2000	Lopes	B29C 45/1671 156/245
D534,628 S *	1/2007	Chisenhall	D12/192
D562,779 S *	2/2008	Lamoree	D13/171
7,470,869 B2 *	12/2008	Lin	H01H 13/12 200/314
D588,069 S	3/2009	Cummings et al.		
D592,997 S	5/2009	Tardieu		
D613,669 S *	4/2010	Collins	D12/345
D680,204 S *	4/2013	Rejkowski	D23/324
D706,188 S *	6/2014	Bachorski	D12/192
9,269,510 B2 *	2/2016	Andrews	G06F 3/0393
D777,687 S *	1/2017	Seidl	D13/171
D839,846 S *	2/2019	Altonen	D13/171

D844,486 S	4/2019	Hayashi et al.		
D852,101 S *	6/2019	Ko	D12/192
D868,951 S *	12/2019	Rejkowski	D23/324
D877,093 S *	3/2020	Tang	D13/171
D897,252 S *	9/2020	Fujikawa	D12/192
2008/0257697 A1 *	10/2008	Kim	D06F 34/34 200/296

(Continued)

OTHER PUBLICATIONS

ARRIS Size Adjustable 7.4V Electric Warm Vest 8 Heating Panels ; Jul. 12, 2019; 3 pgs.;https://www.amazon.com/ARRIS-Adjustable-Electric-Heating-Battery/dp/B0828LZ2MZ/ref=sr_1_1?keywords=ARRIS%2BFleece%2BHeated%2BVest%2Bfor%2BMen%2B7.4V%2BElectric%2BWarm%2BVest&qid=1638212141&qsid=147-8343058-5793423&sr=8-1&sres=B0.*

(Continued)

Primary Examiner — Selina Sikder

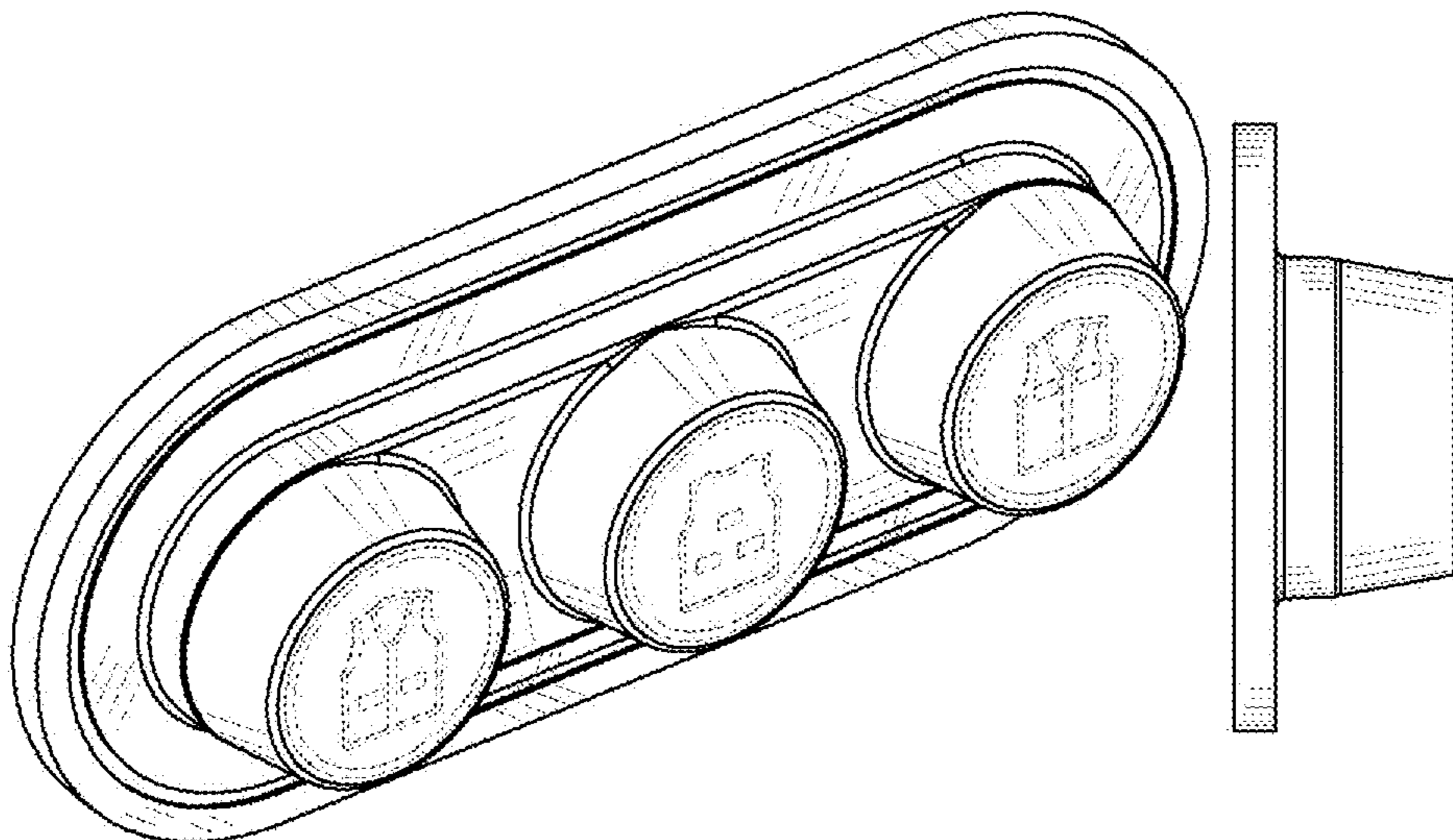
(57) **CLAIM**

The ornamental design for a control panel, as shown and described.

DESCRIPTION

FIG. 1 is a perspective view of a control panel showing my new design;
FIG. 2 is a front view thereof;
FIG. 3 is a back view thereof;
FIG. 4 is a left side view thereof;
FIG. 5 is a right side view thereof;
FIG. 6 is a top view thereof;
FIG. 7 is a bottom view thereof;
FIG. 8 is a perspective view of another state of the control panel thereof; and,
FIG. 9 is a perspective view of another state of the control panel thereof.
The broken lines in the drawings depict portions of the control panel that form no part of the claimed design.

1 Claim, 9 Drawing Sheets



(56)

References Cited

U.S. PATENT DOCUMENTS

2010/0300859 A1 * 12/2010 Prest H01H 13/705
200/5 A
2016/0048153 A1 * 2/2016 De La Coba Denninger
B60H 1/0065
74/471 R

OTHER PUBLICATIONS

ARRIS Heated Vest Size Adjustable 7.4V Battery Electric Warm Vest; earliest review date Dec. 4, 2019; 12 pgs; <https://www.arrislife.com/products/arris-heated-vest-size-adjustable-7-4v-battery-electric-warm-vest-for-hiking-camping-1>.*

* cited by examiner

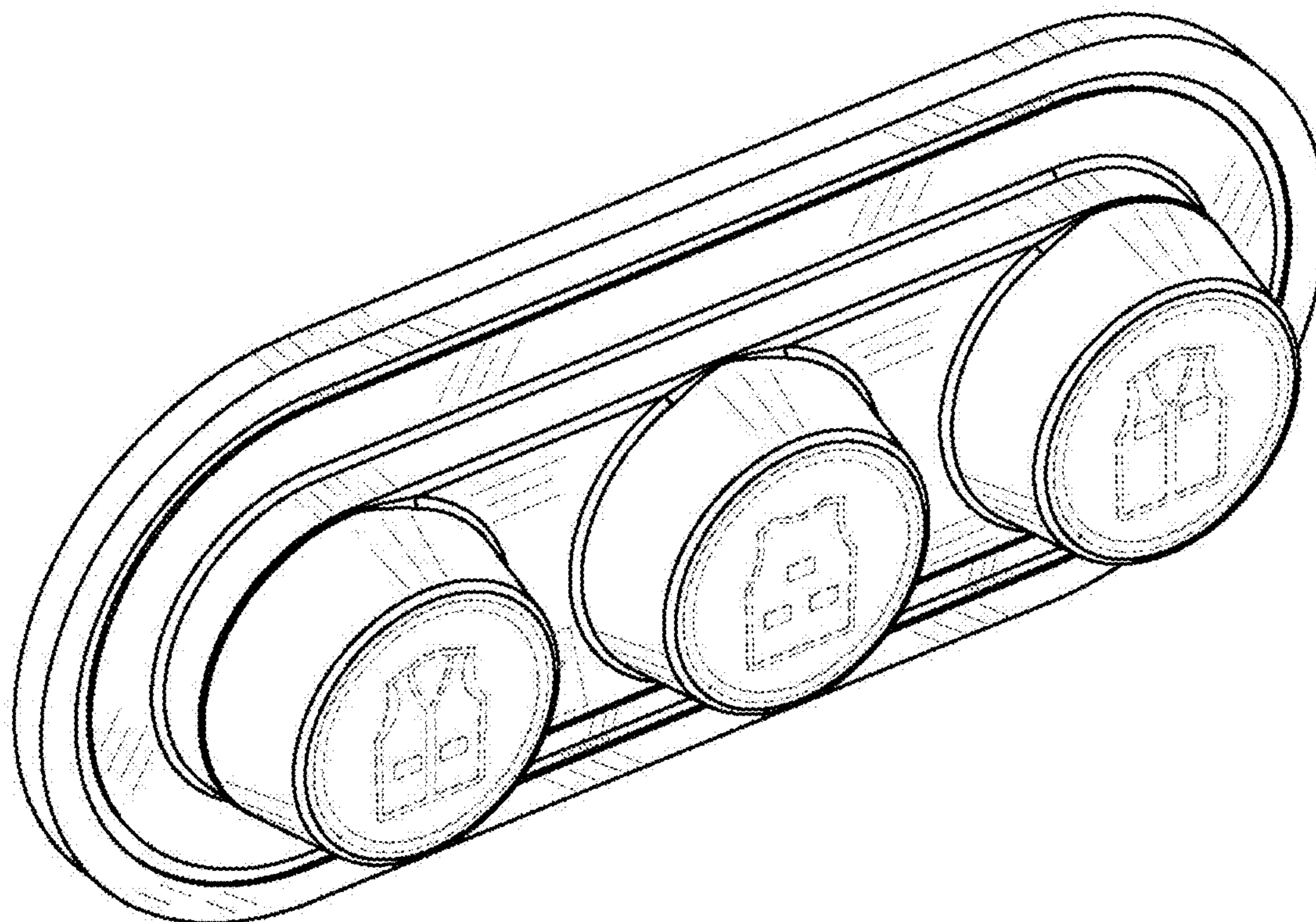


FIG. 1

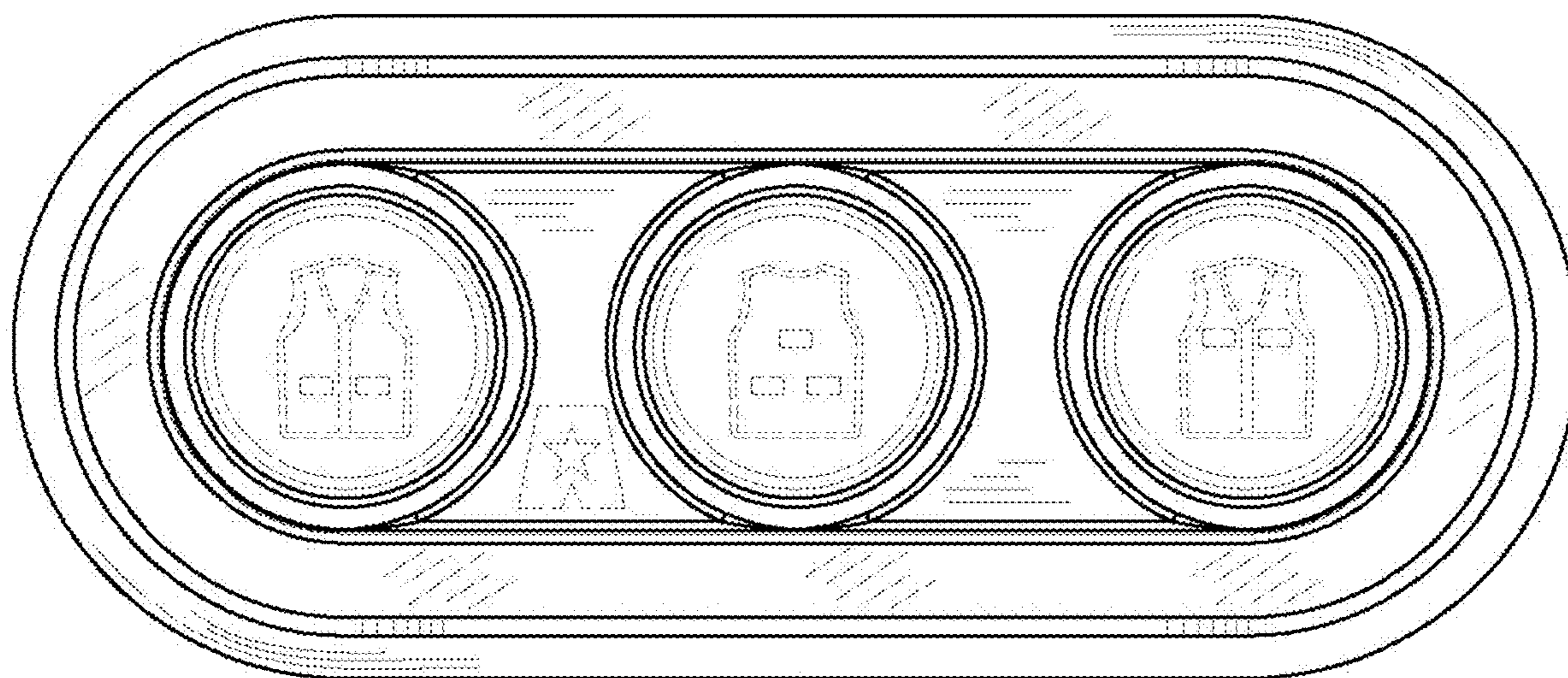


FIG. 2

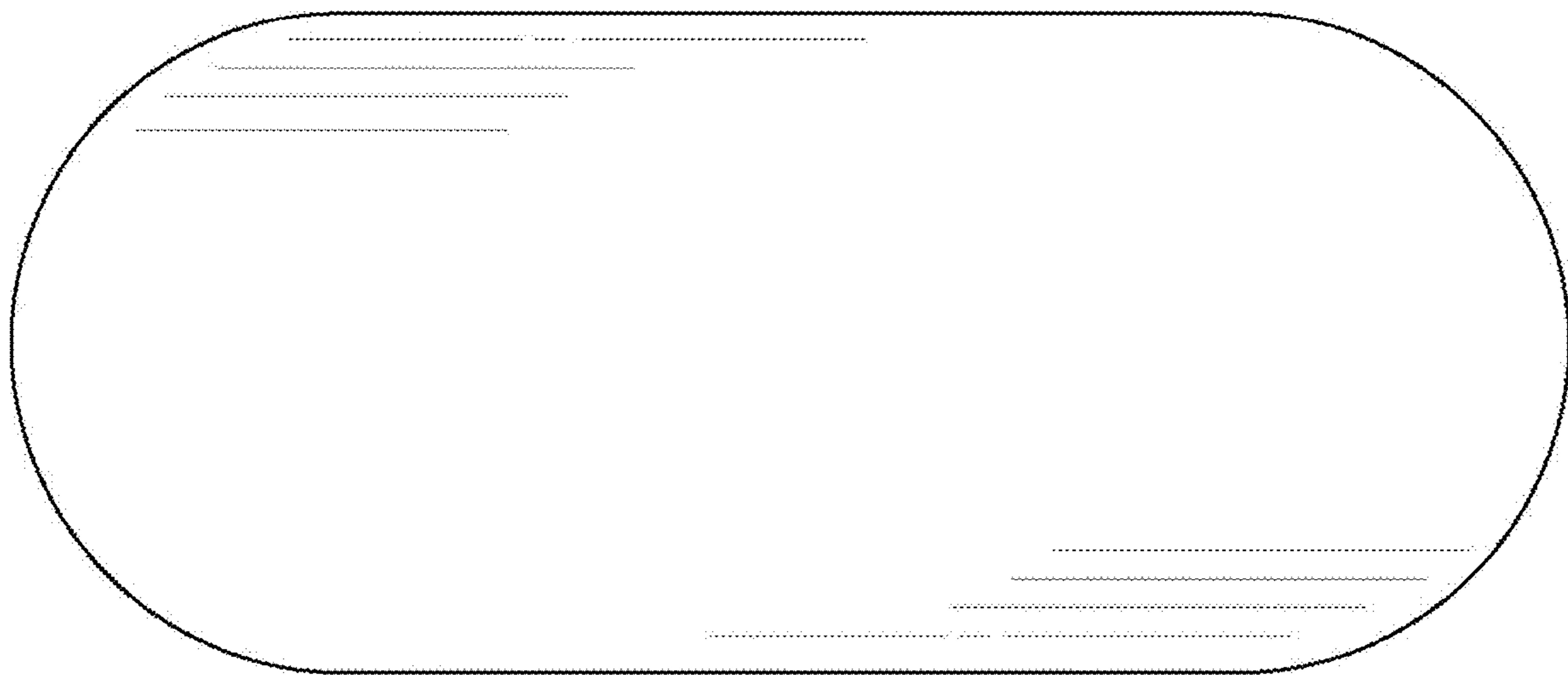


FIG. 3

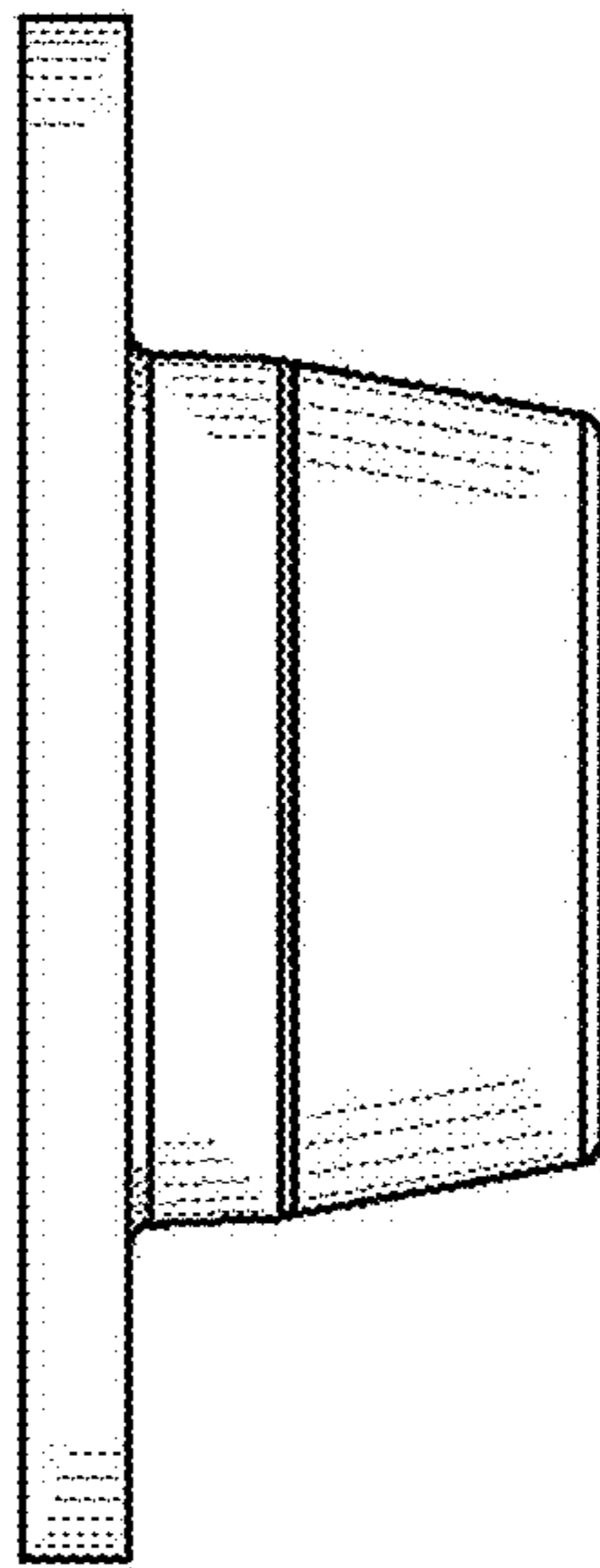


FIG. 4

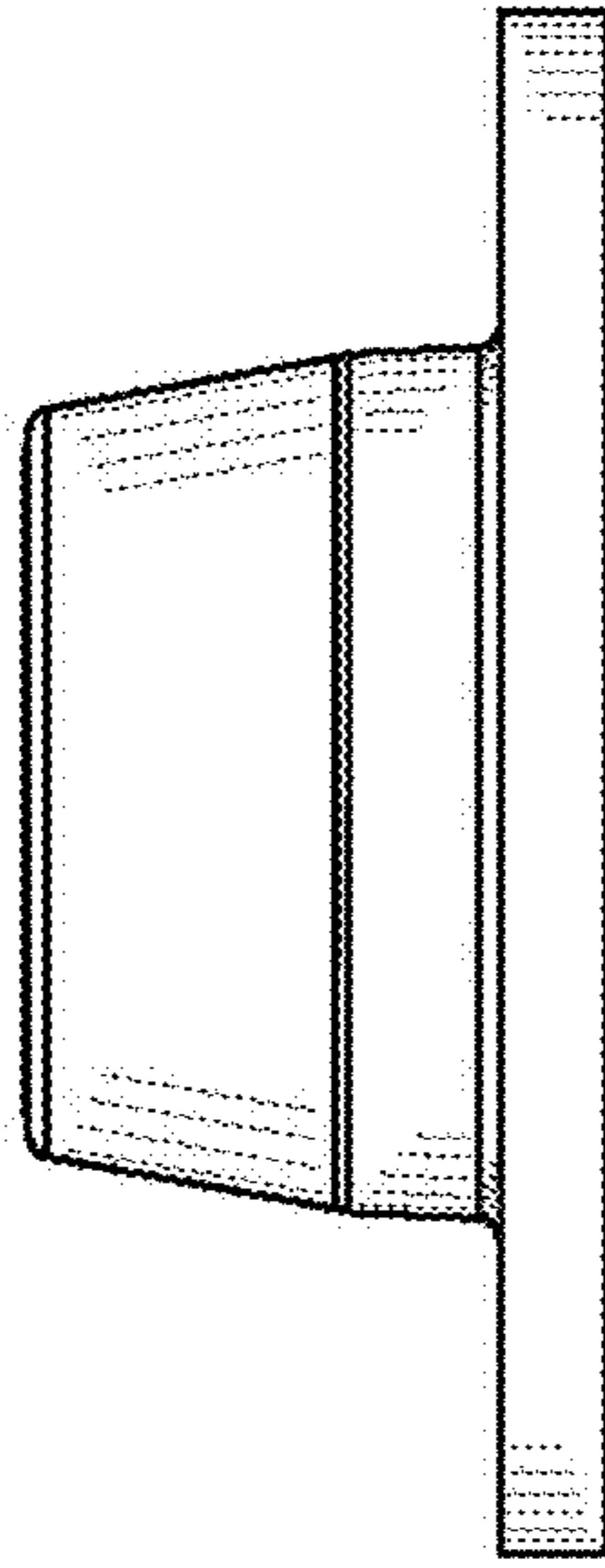


FIG. 5

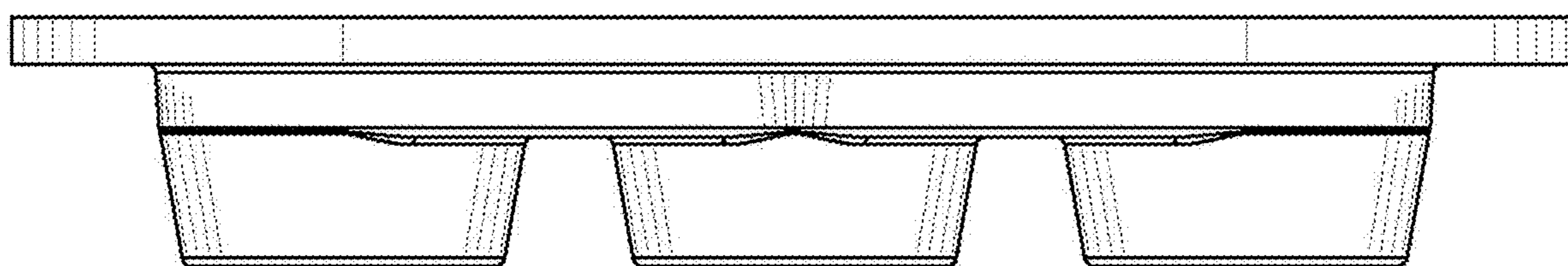


FIG. 6

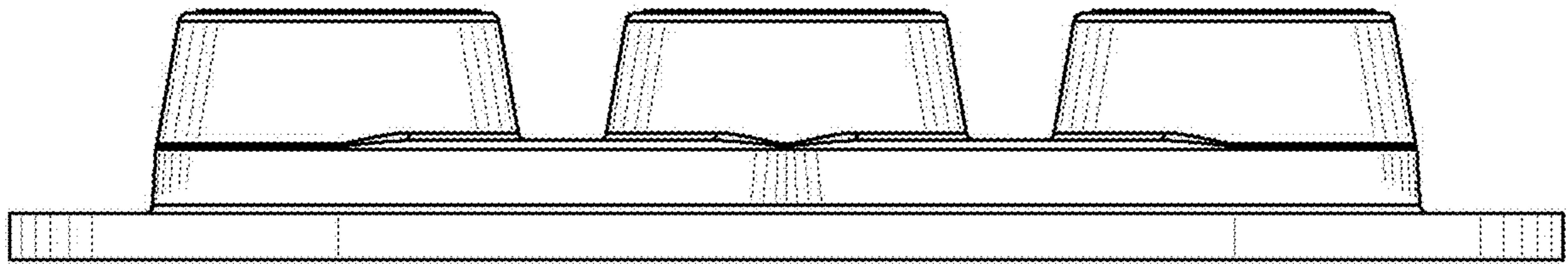


FIG. 7

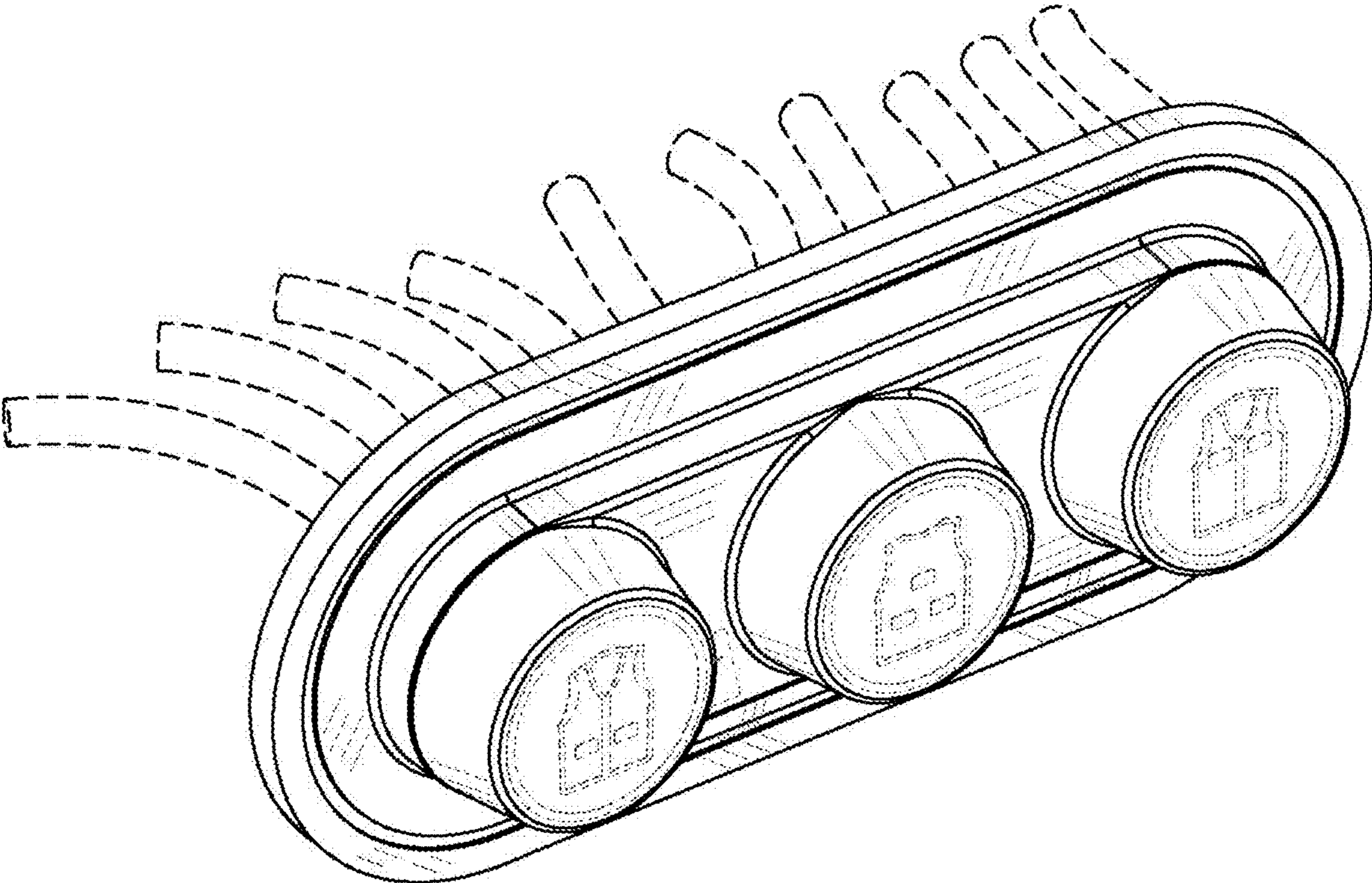


FIG. 8

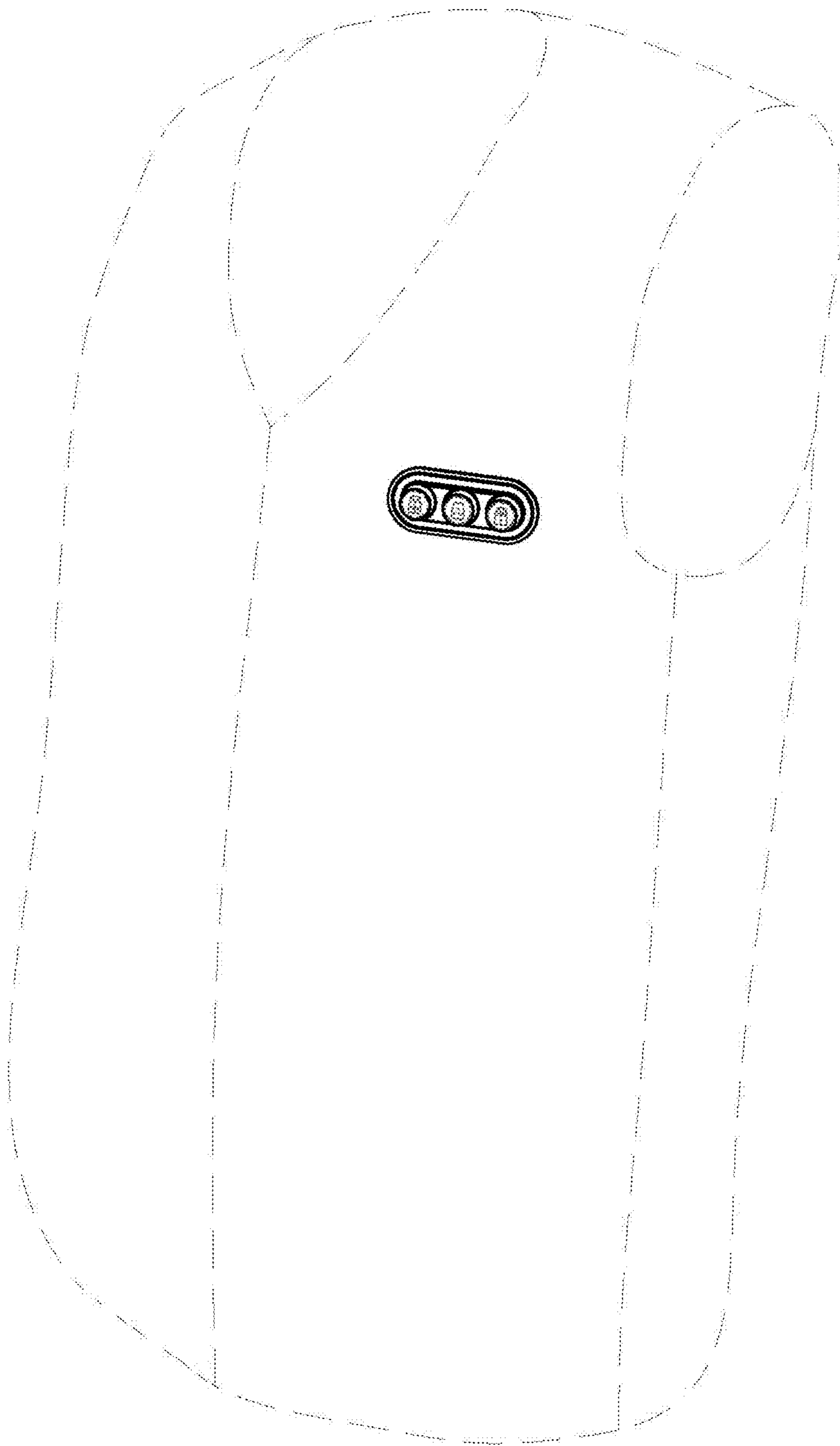


FIG. 9