



US00D954002S

(12) **United States Design Patent**  
**Thompson et al.**

(10) **Patent No.:** **US D954,002 S**  
(45) **Date of Patent:** **\*\* Jun. 7, 2022**

(54) **CONTROLLER**

(71) Applicant: **Thermo Orion Inc.**, Chelmsford, MA (US)

(72) Inventors: **Roy A. Thompson**, Boston, MA (US);  
**Giovanni De Dona**, Medford, MA (US)

(73) Assignee: **Thermo Orion Inc.**, Chelmsford, MA (US)

(\*\*) Term: **15 Years**

(21) Appl. No.: **29/740,303**

(22) Filed: **Jul. 2, 2020**

(51) **LOC (13) Cl.** ..... **13-03**

(52) **U.S. Cl.**  
USPC ..... **D13/162**; D10/81

(58) **Field of Classification Search**  
USPC ..... D13/158, 162, 184, 177, 199; D10/46,  
D10/49, 50, 51, 52, 53, 55, 81; D24/232  
(Continued)

(56) **References Cited**

**U.S. PATENT DOCUMENTS**

D118,613 S \* 1/1940 Blazey ..... D10/125  
D206,550 S \* 12/1966 Cumming ..... D10/102  
(Continued)

*Primary Examiner* — Selina Sikder

(74) *Attorney, Agent, or Firm* — Wood Herron & Evans  
LLP

(57) **CLAIM**

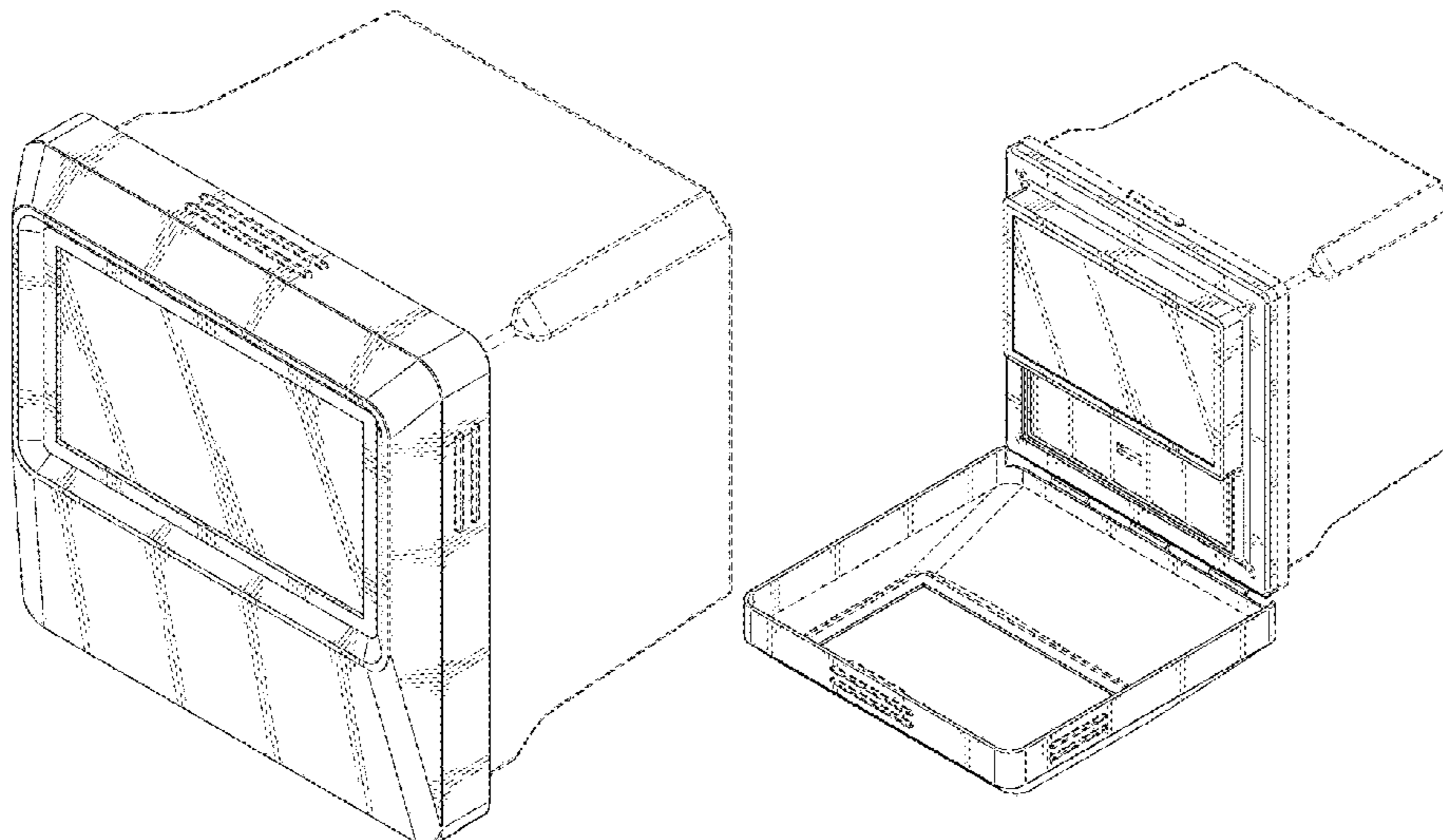
The ornamental design for a controller, as shown and described.

**DESCRIPTION**

FIG. 1 is a top front right-side isometric view of a controller showing our new design;

FIG. 2 is a top front left-side isometric view thereof;  
FIG. 3 is a front elevation view thereof;  
FIG. 4 is a rear elevation view thereof;  
FIG. 5 is a right-side elevation view thereof;  
FIG. 6 is a left-side elevation view thereof;  
FIG. 7 is a top plan view thereof; and  
FIG. 8 is a bottom plan view thereof.  
FIG. 9 is a top front right-side isometric view of a controller showing our new design in an open state;  
FIG. 10 is a top front left-side isometric view thereof;  
FIG. 11 is a front elevation view thereof;  
FIG. 12 is a rear elevation view thereof;  
FIG. 13 is a right-side elevation view thereof;  
FIG. 14 is a left-side elevation view thereof;  
FIG. 15 is a top plan view thereof; and  
FIG. 16 is a bottom plan view thereof.  
FIG. 17 is a top front right-side isometric view of a controller showing an alternative embodiment of my new design;  
FIG. 18 is a top front left-side isometric view thereof;  
FIG. 19 is a front elevation view thereof;  
FIG. 20 is a rear elevation view thereof;  
FIG. 21 is a right-side elevation view thereof;  
FIG. 22 is a left-side elevation view thereof;  
FIG. 23 is a top plan view thereof; and  
FIG. 24 is a bottom plan view thereof.  
FIG. 25 is a top front right-side isometric view of a controller showing the alternative embodiment of my new design in an open state;  
FIG. 26 is a top front left-side isometric view thereof;  
FIG. 27 is a front elevation view thereof;  
FIG. 28 is a rear elevation view thereof;  
FIG. 29 is a right-side elevation view thereof;  
FIG. 30 is a left-side elevation view thereof;  
FIG. 31 is a top plan view thereof; and  
FIG. 32 is a bottom plan view thereof.  
The broken dash lines in the figures depict portions of the controller that form no part of the claimed design. Neither the portions of the controller shown in broken dash lines nor the broken dash lines themselves form any part of the claimed invention.

**1 Claim, 32 Drawing Sheets**



(58) **Field of Classification Search**

CPC ..... H05K 5/00; H05K 5/0004; H05K 5/0008;  
 H05K 5/0017; H05K 5/03; H05K 5/04;  
 H05K 5/06; G01N 33/01; G01N 33/22;  
 G01N 33/221; G01N 33/18; G01N  
 33/1806; G01N 33/1813; G01N 33/182;  
 G01N 33/1826; G01N 33/1833; G01N  
 33/1846; G01N 33/1853; G01N 33/186

See application file for complete search history.

(56)

**References Cited**

U.S. PATENT DOCUMENTS

D396,812 S \* 8/1998 Kuipers ..... D10/46  
 D607,843 S \* 1/2010 Borax ..... D13/162  
 D611,005 S \* 3/2010 Lanfear ..... D13/162  
 D613,625 S \* 4/2010 Schneor ..... D10/49  
 D699,134 S \* 2/2014 Waaler ..... D10/81  
 D699,610 S \* 2/2014 Noda ..... D10/81  
 D710,312 S \* 8/2014 Branson ..... D13/162  
 D728,125 S \* 4/2015 Trigg ..... D24/232

D742,332 S \* 11/2015 Matsuguma ..... D13/162  
 D766,761 S \* 9/2016 Klein ..... D10/81  
 D794,579 S \* 8/2017 Peterson ..... D13/162  
 D801,202 S \* 10/2017 Johnston ..... D10/81  
 D819,225 S \* 5/2018 Mead ..... D24/233  
 D891,381 S \* 7/2020 Wareham ..... D13/177  
 D935,421 S \* 11/2021 Steele ..... D13/162  
 D935,423 S \* 11/2021 Schemmel ..... D13/177  
 2007/0039379 A1 \* 2/2007 Liao ..... G01N 33/18  
 73/61.41  
 2007/0178010 A1 \* 8/2007 Connelly ..... G01N 21/251  
 422/68.1  
 2012/0288945 A1 \* 11/2012 Russell ..... B01L 99/00  
 436/63  
 2016/0327473 A1 \* 11/2016 Ozcan ..... G01N 33/1813  
 2017/0038358 A1 \* 2/2017 Mori ..... G01N 21/59  
 2019/0391013 A1 \* 12/2019 Morgan, III ..... G01N 21/51  
 2020/0087611 A1 \* 3/2020 He ..... G01N 21/6486  
 2020/0249192 A1 \* 8/2020 Johnston ..... G01N 27/286  
 2021/0332407 A1 \* 10/2021 Jauss ..... E03C 1/10  
 2021/0405012 A1 \* 12/2021 Whalen ..... G01N 33/18

\* cited by examiner

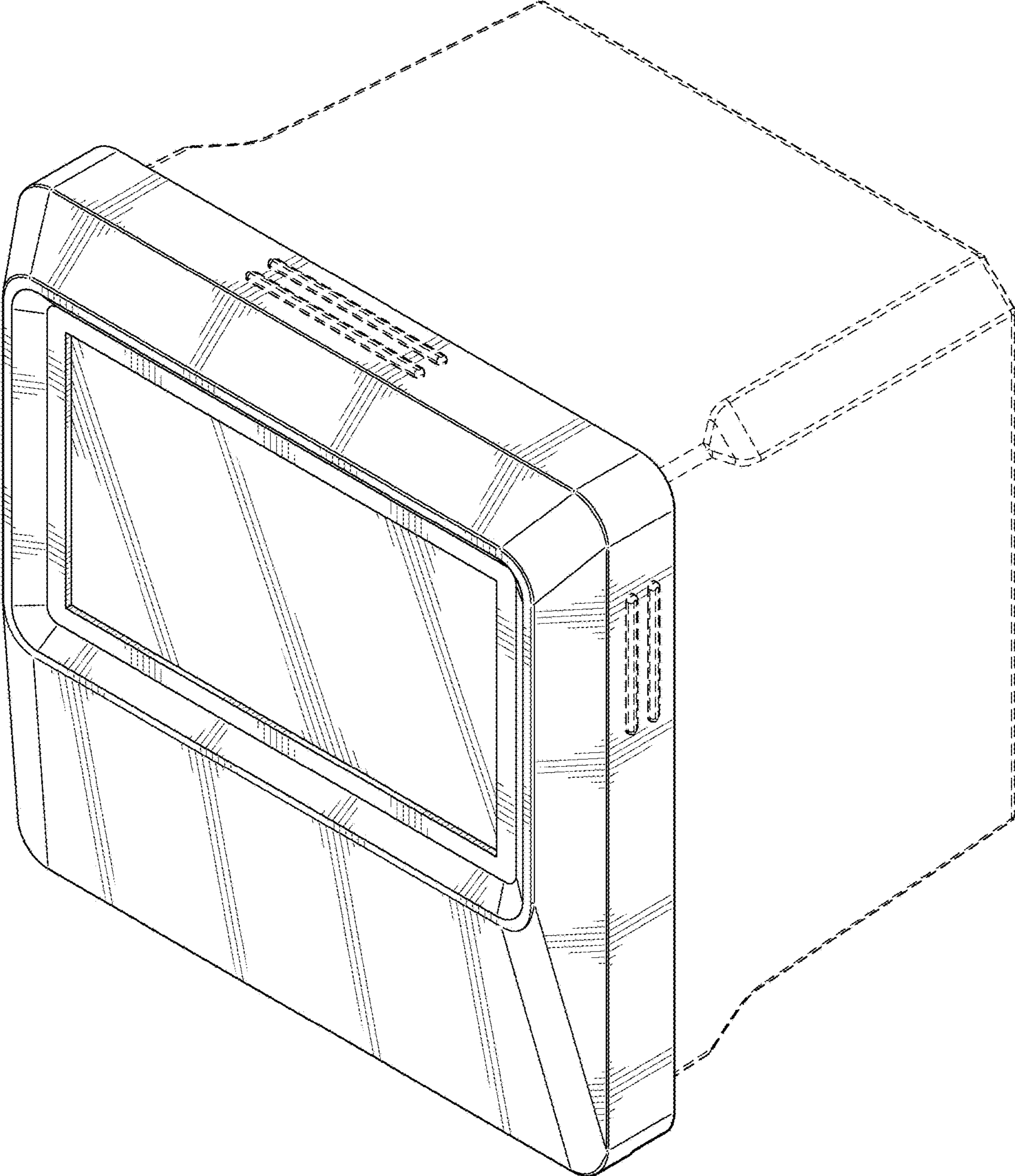


FIG. 1

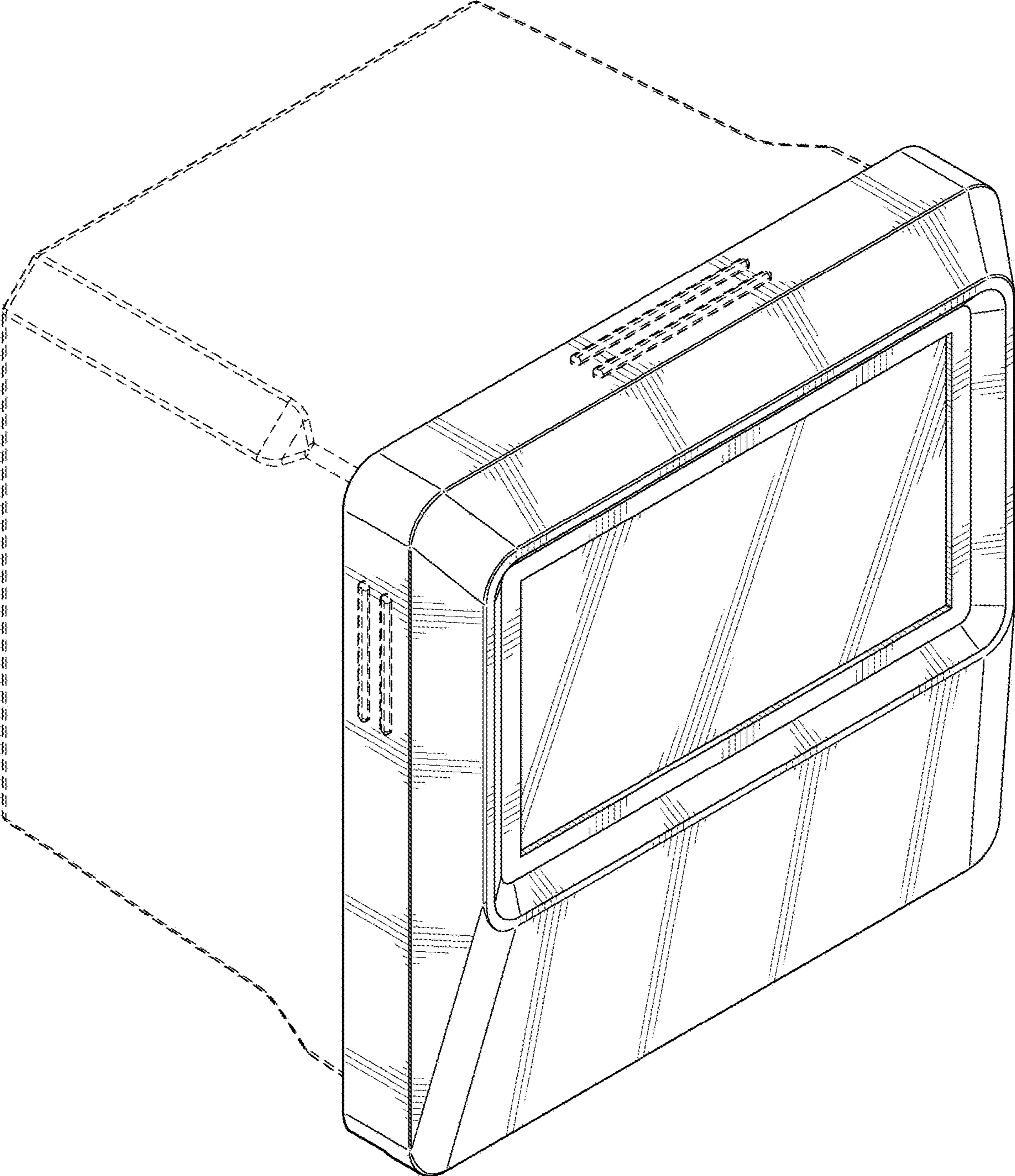


FIG. 2

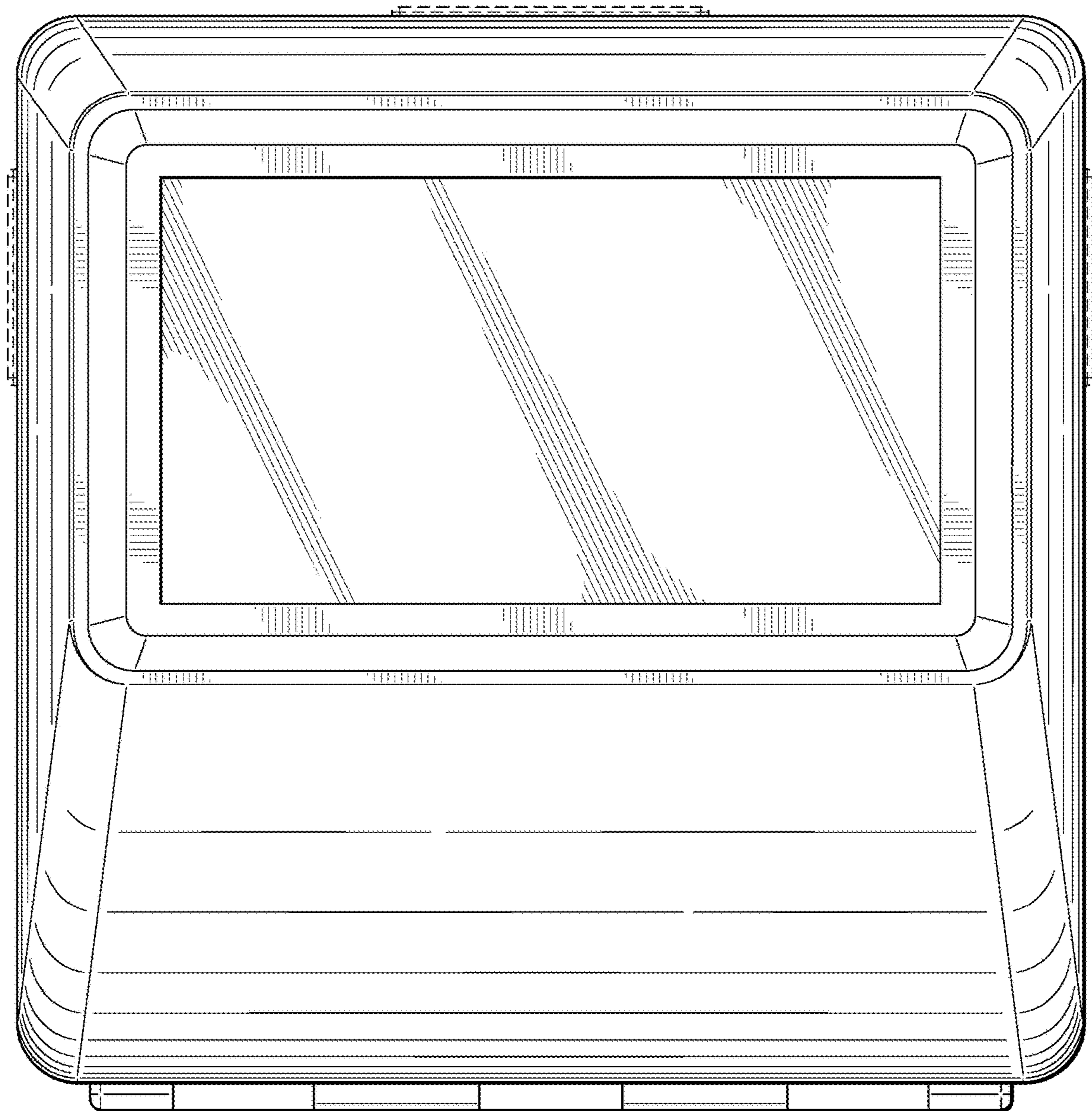


FIG. 3

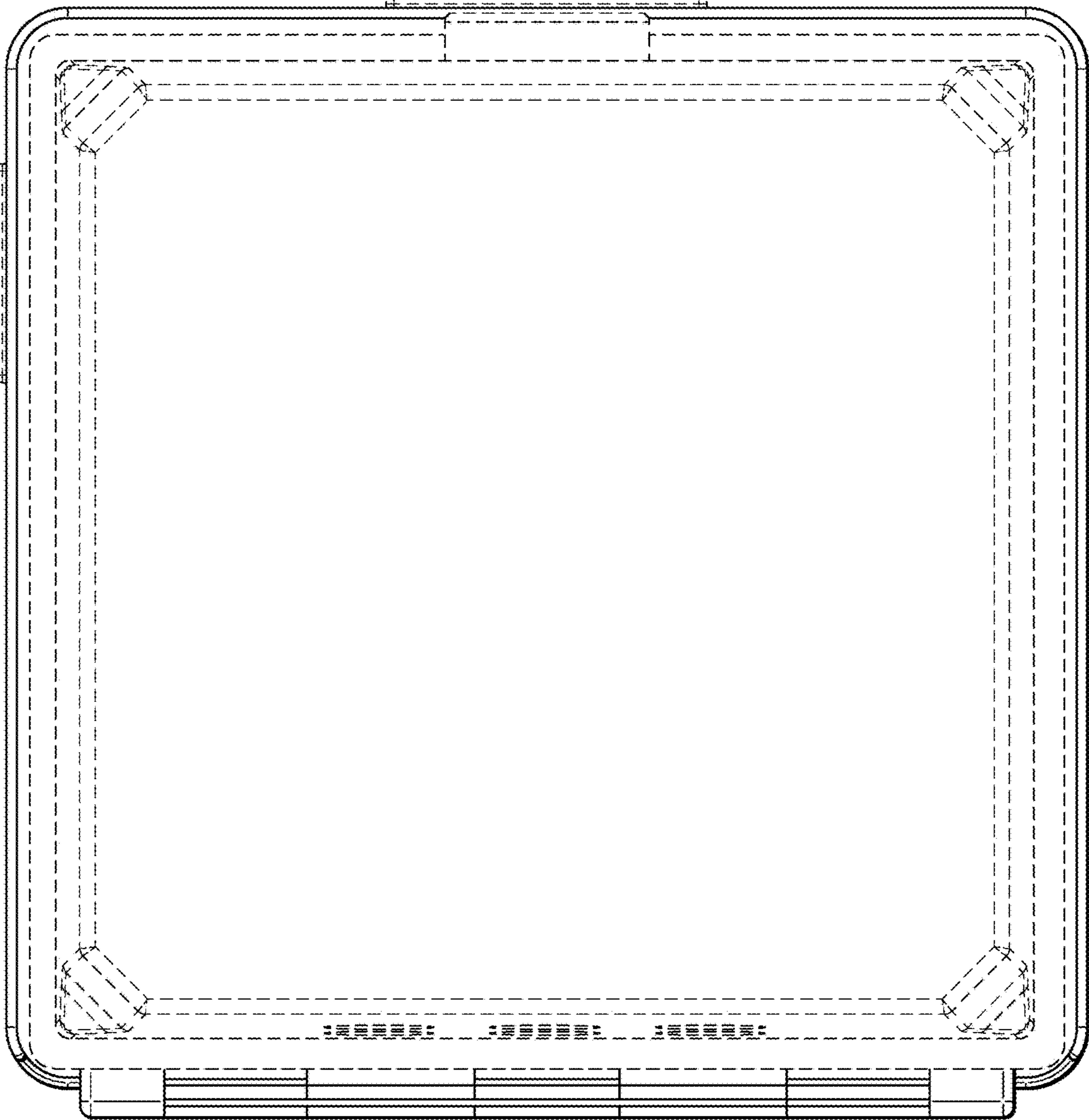


FIG. 4

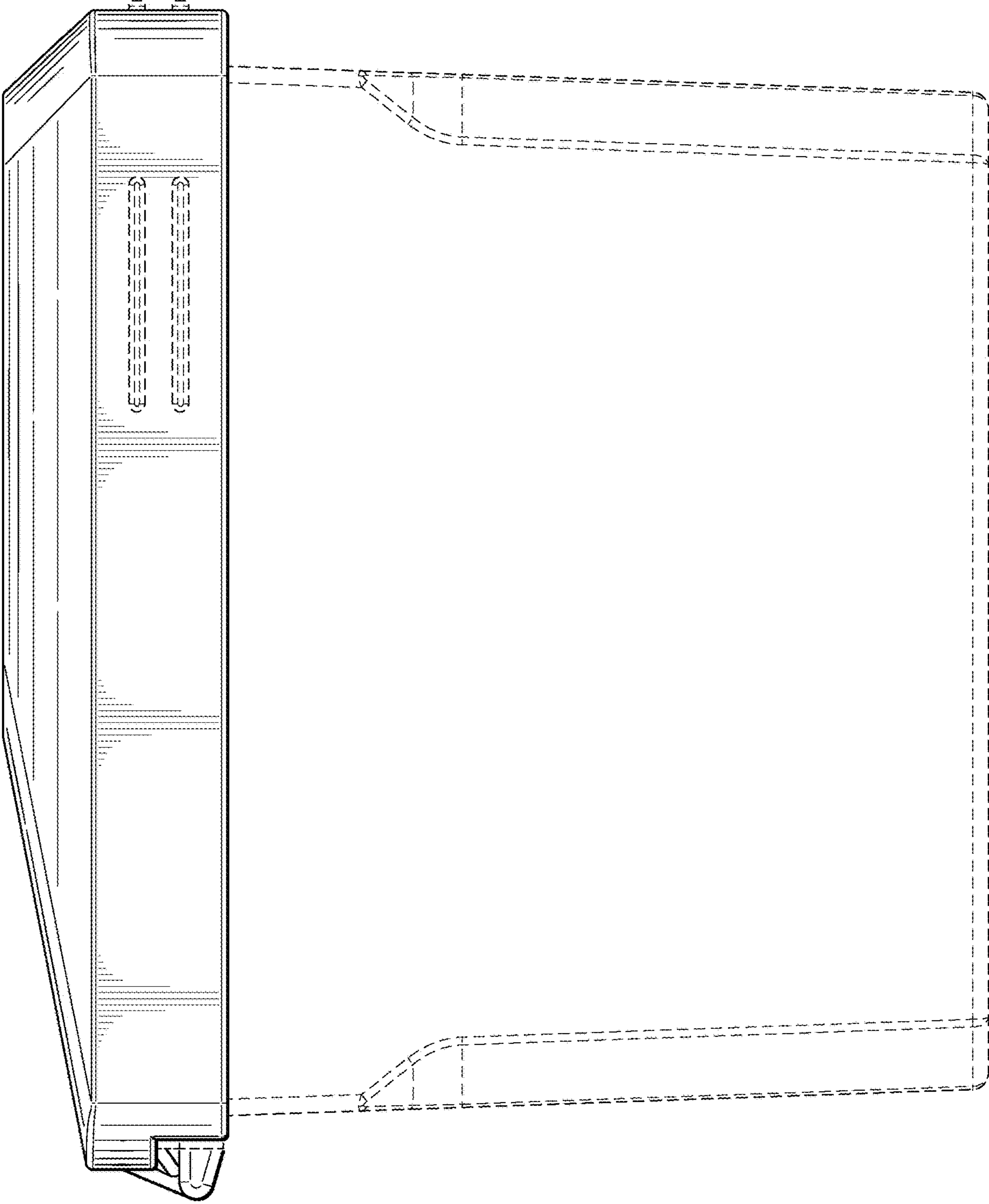


FIG. 5

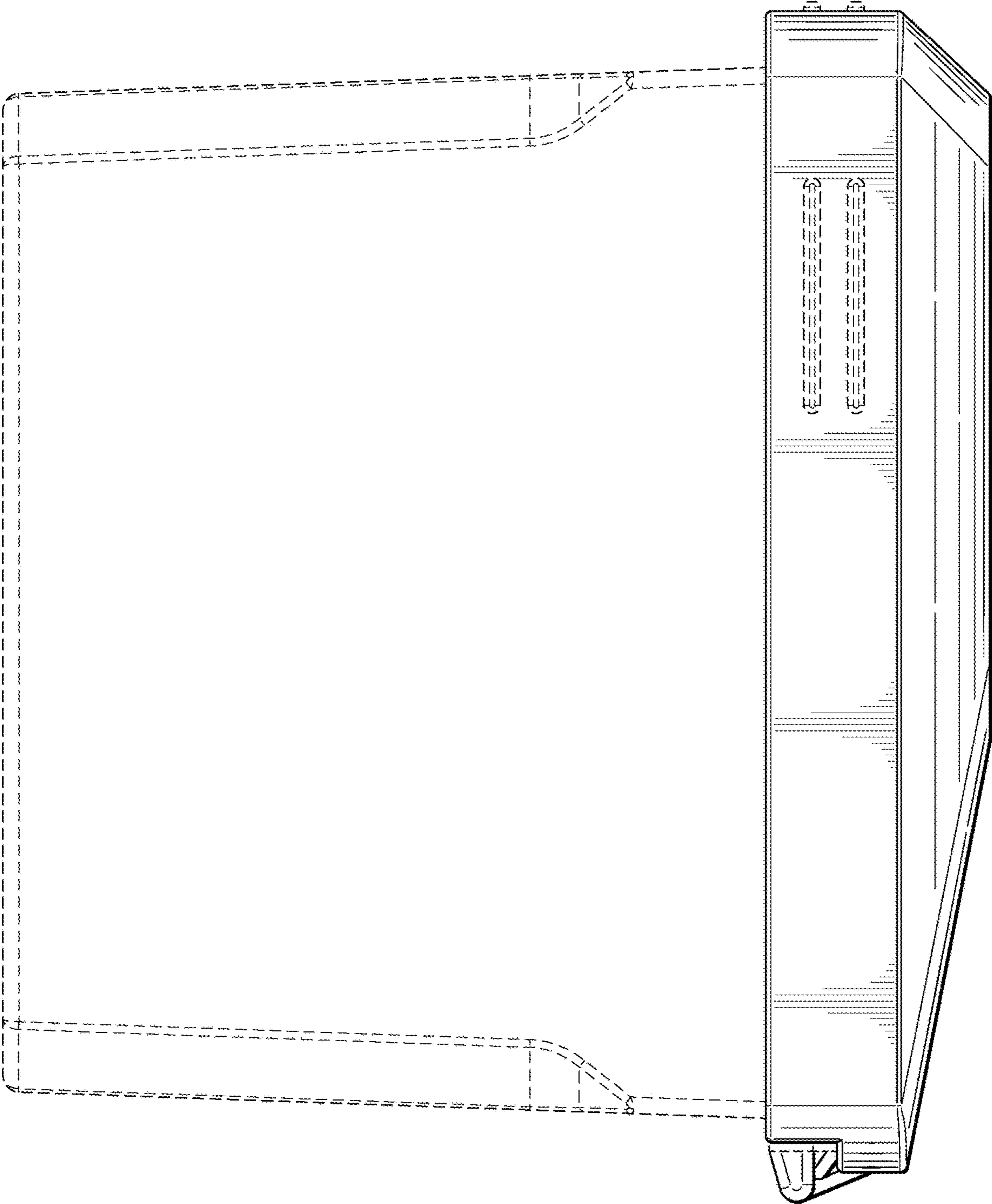


FIG. 6



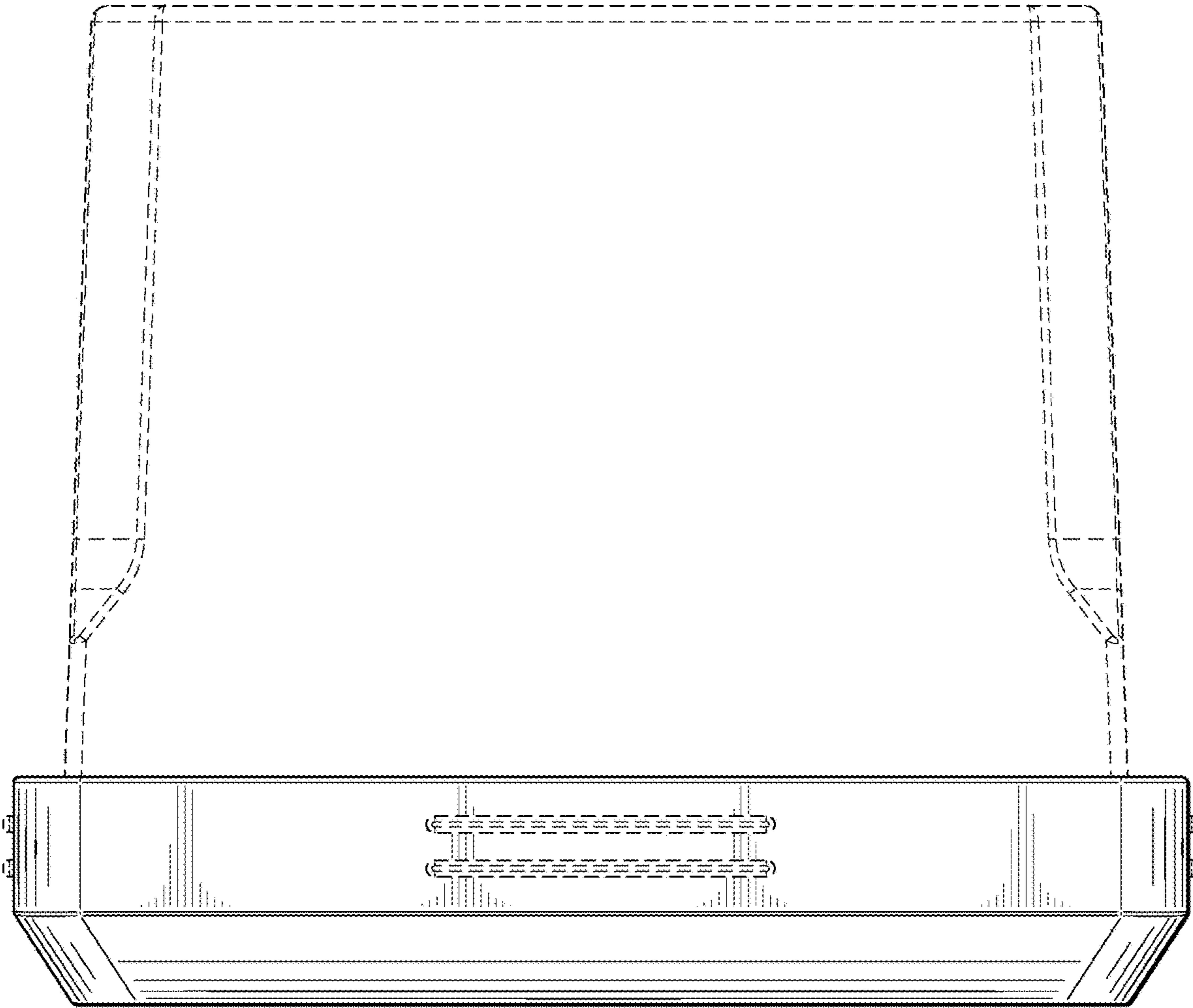


FIG. 7

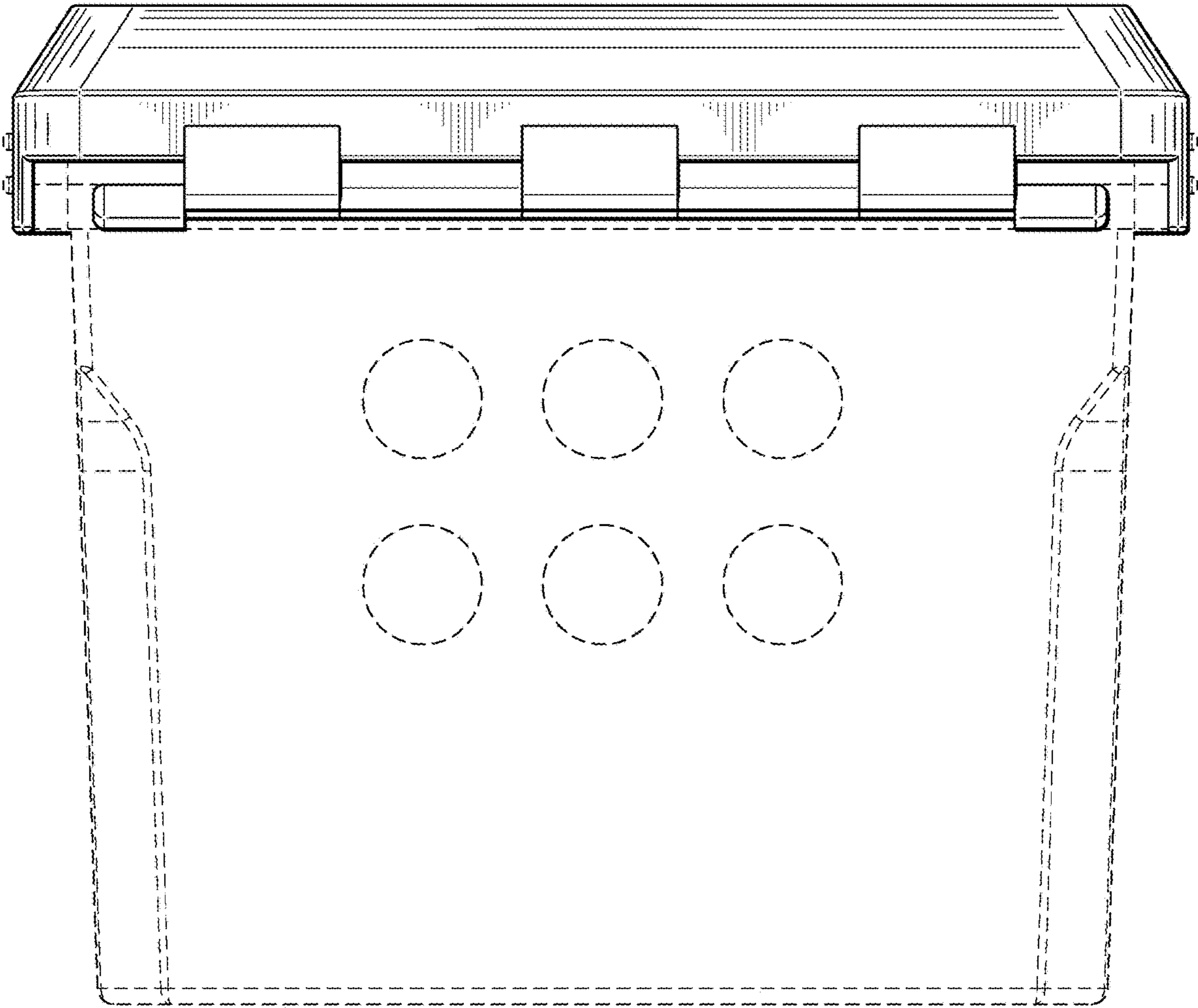


FIG. 8

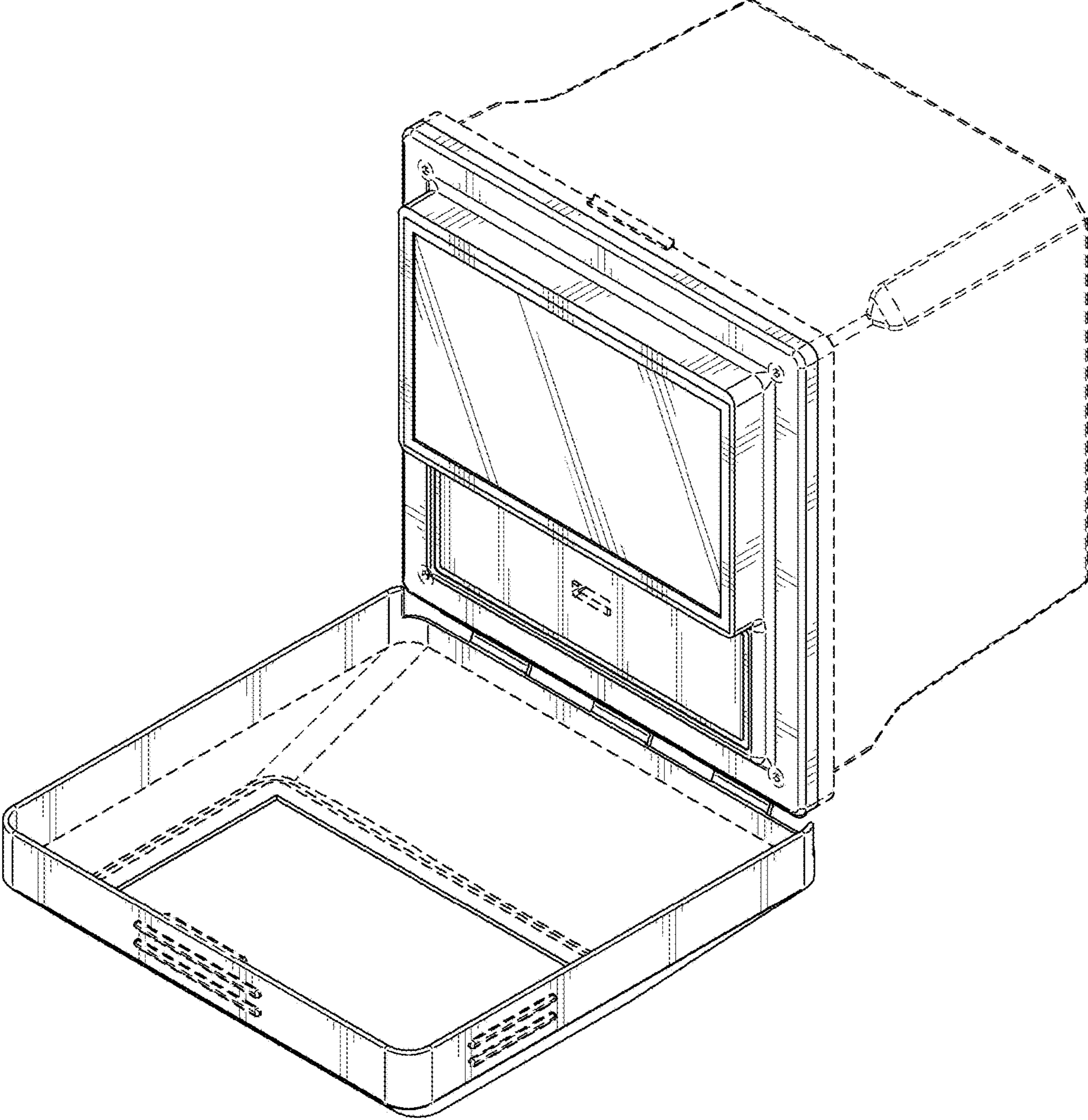


FIG. 9

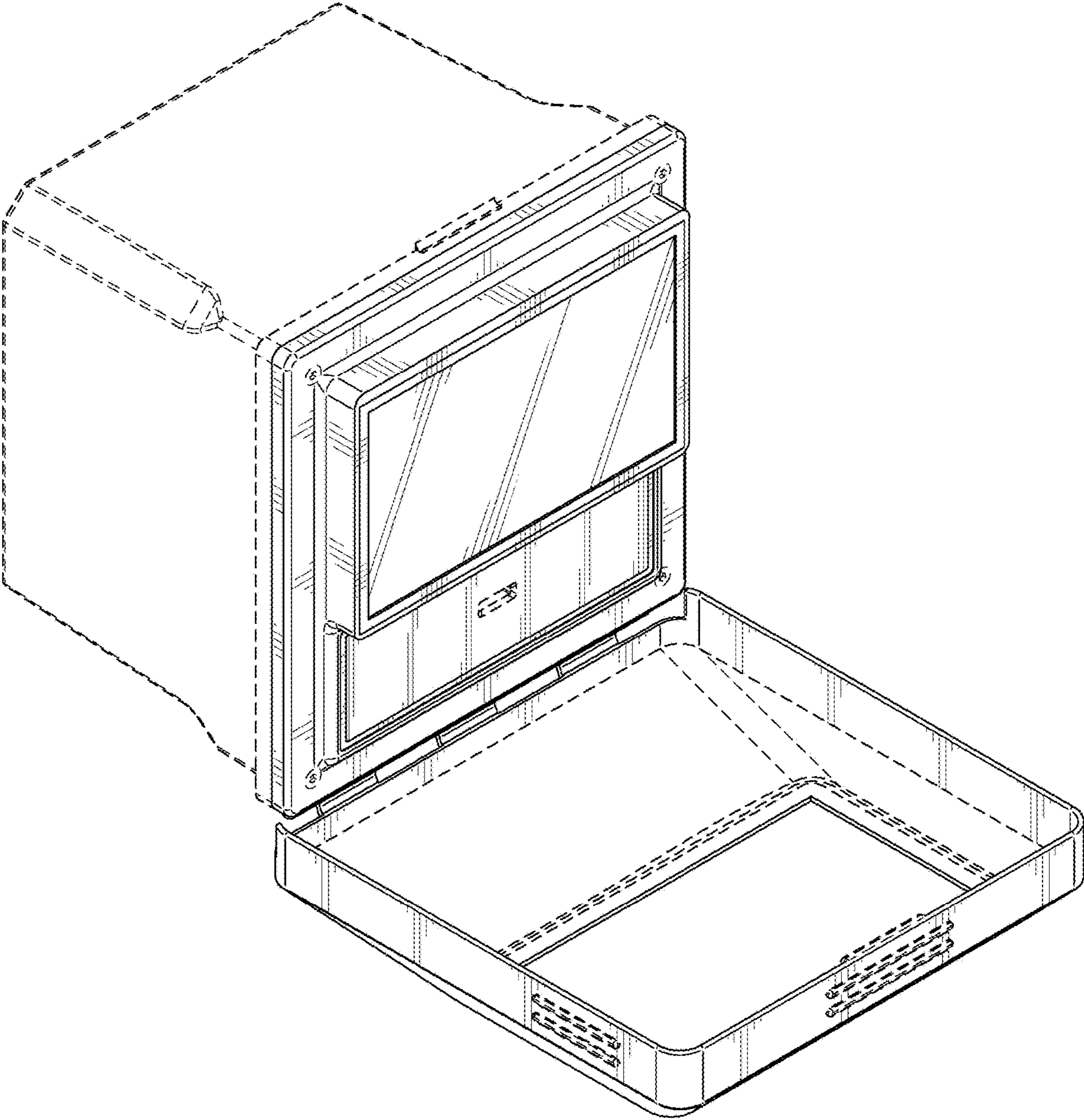


FIG. 10

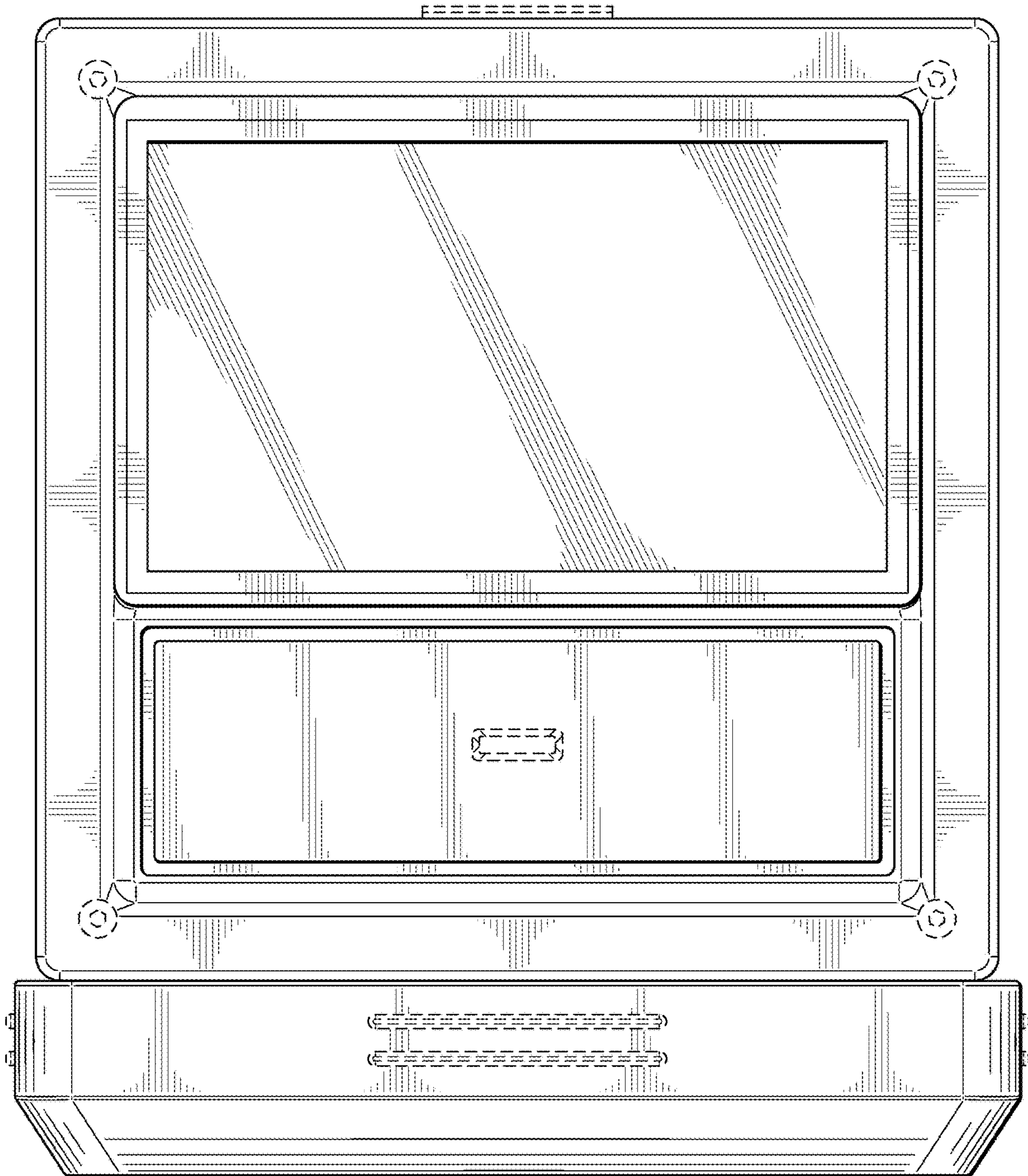


FIG. 11

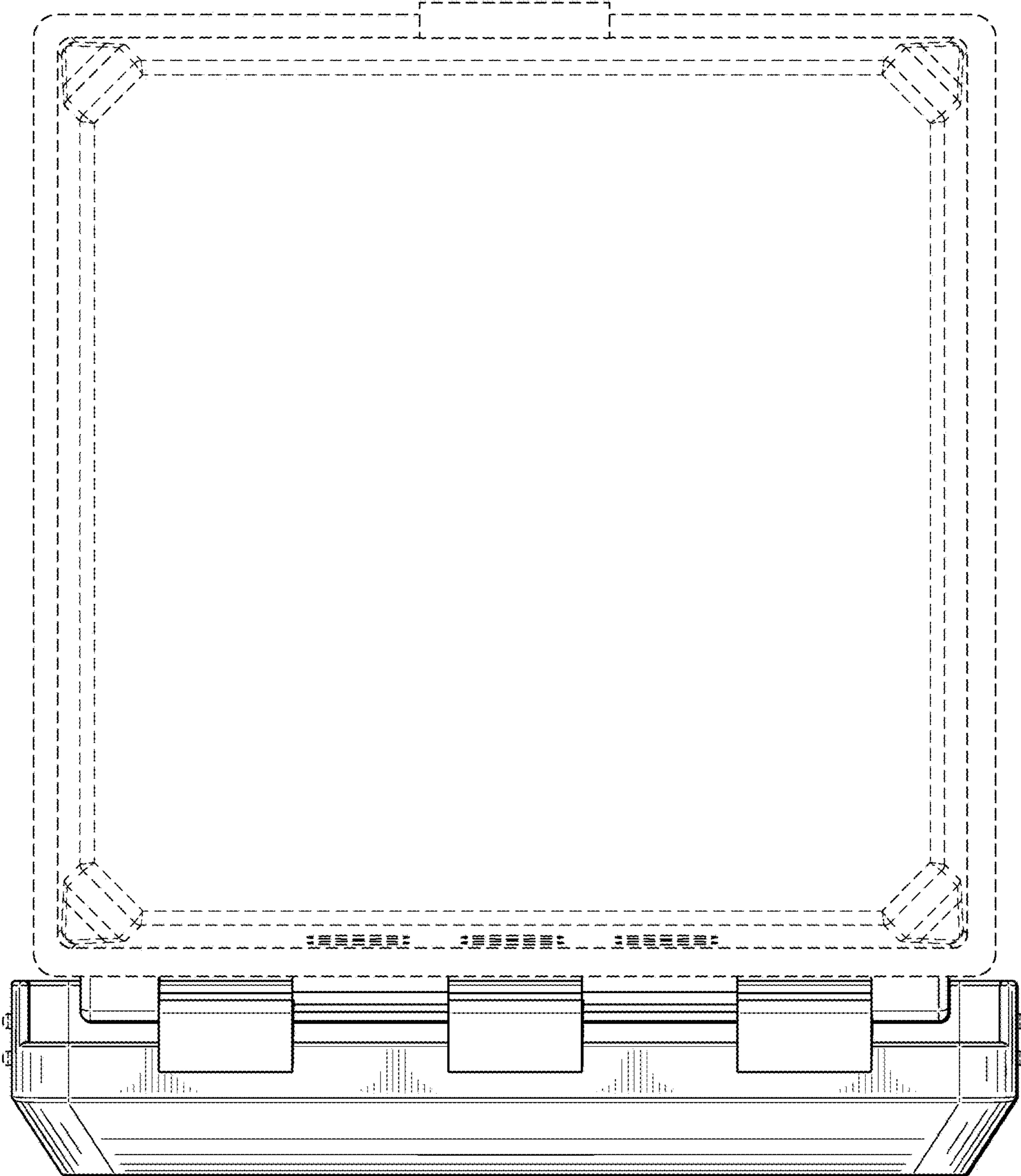


FIG. 12

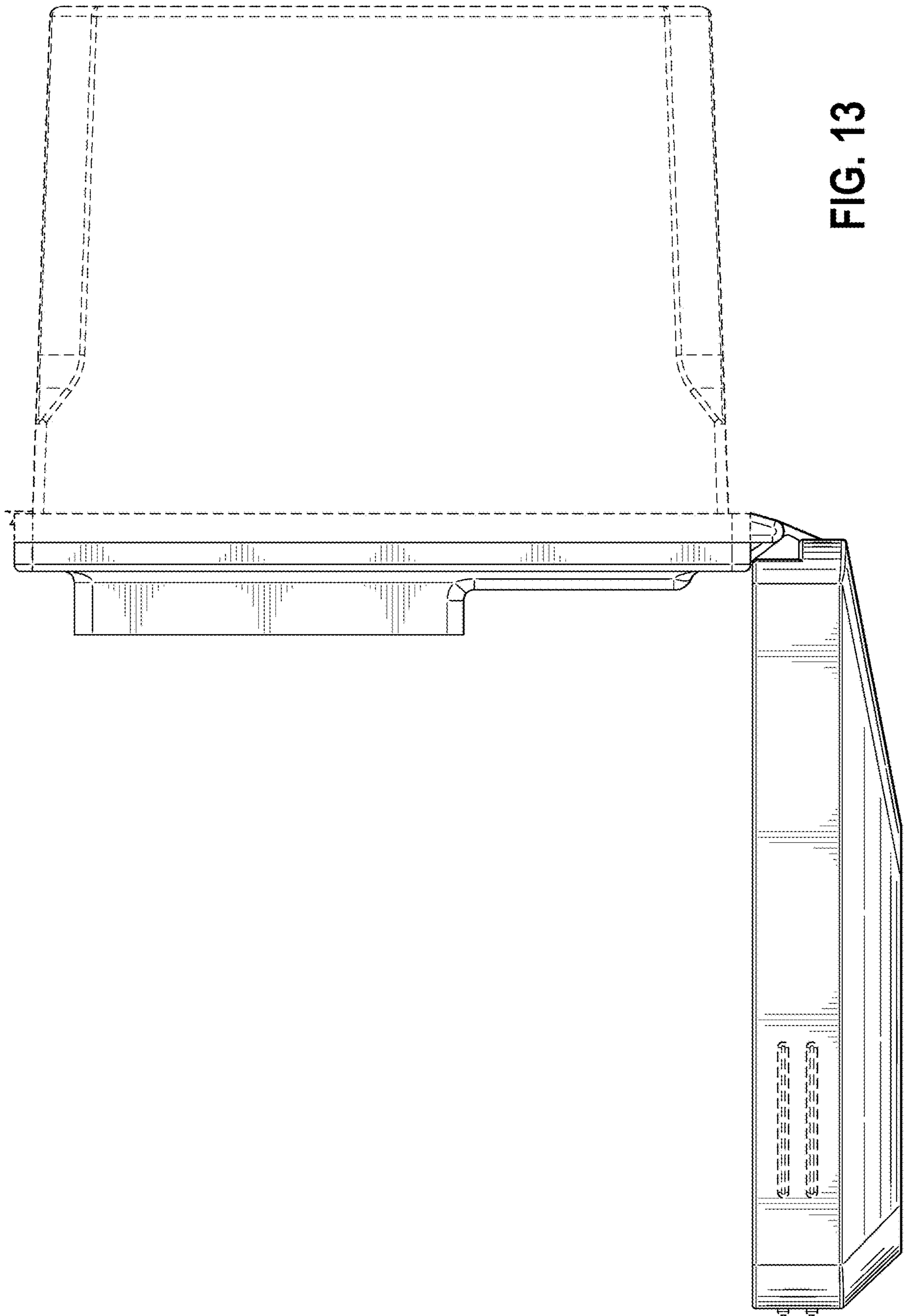


FIG. 13

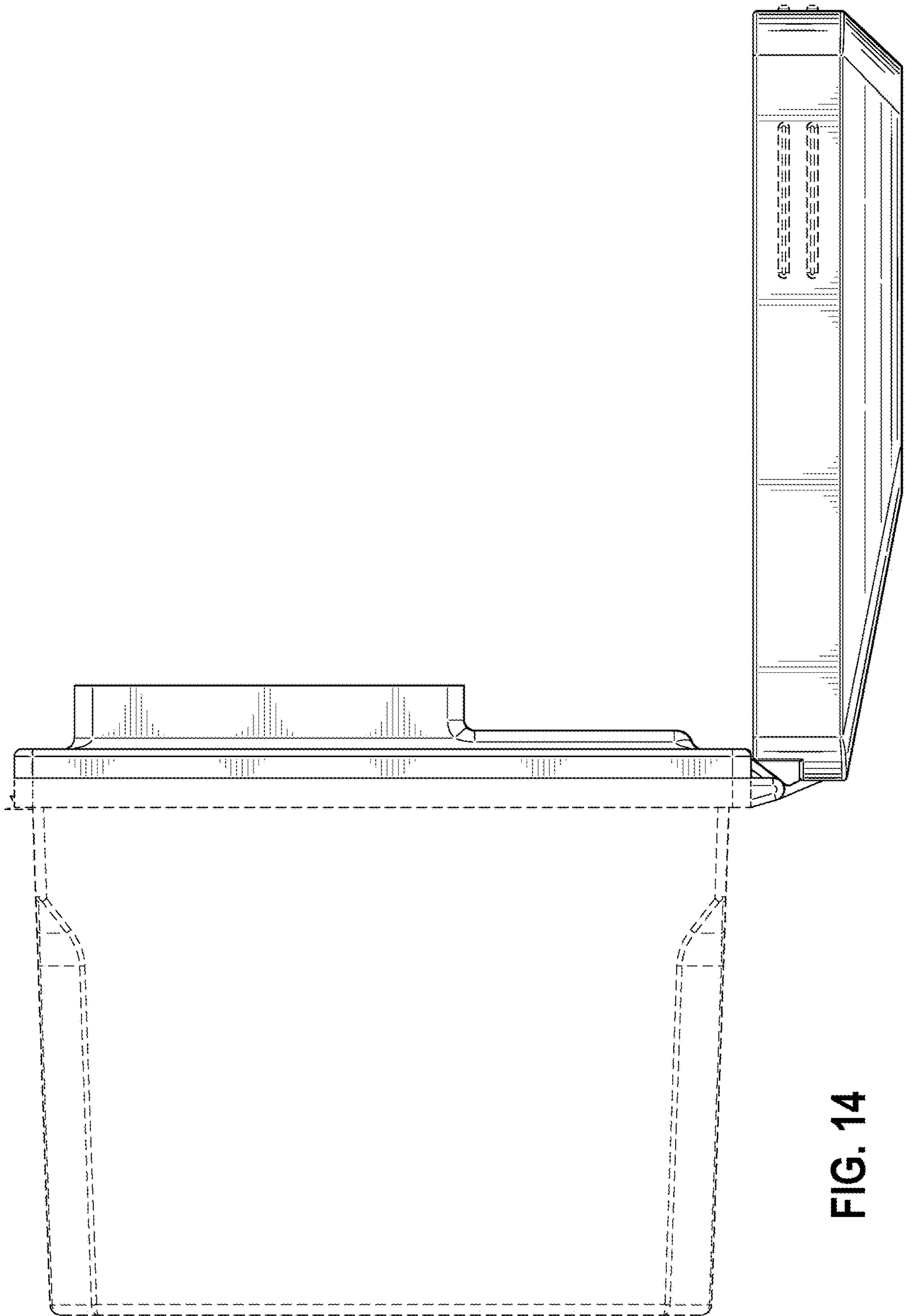


FIG. 14



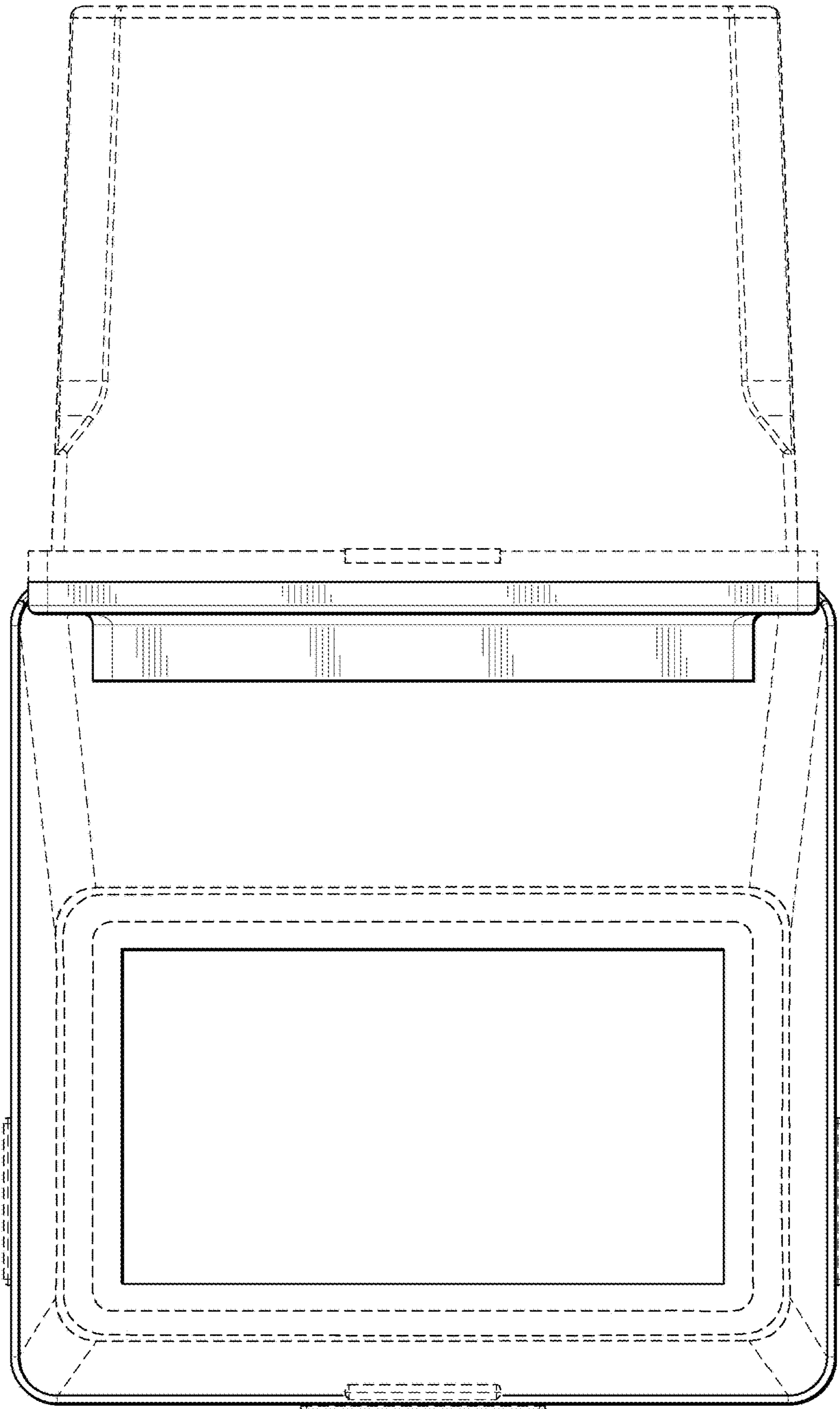


FIG. 15

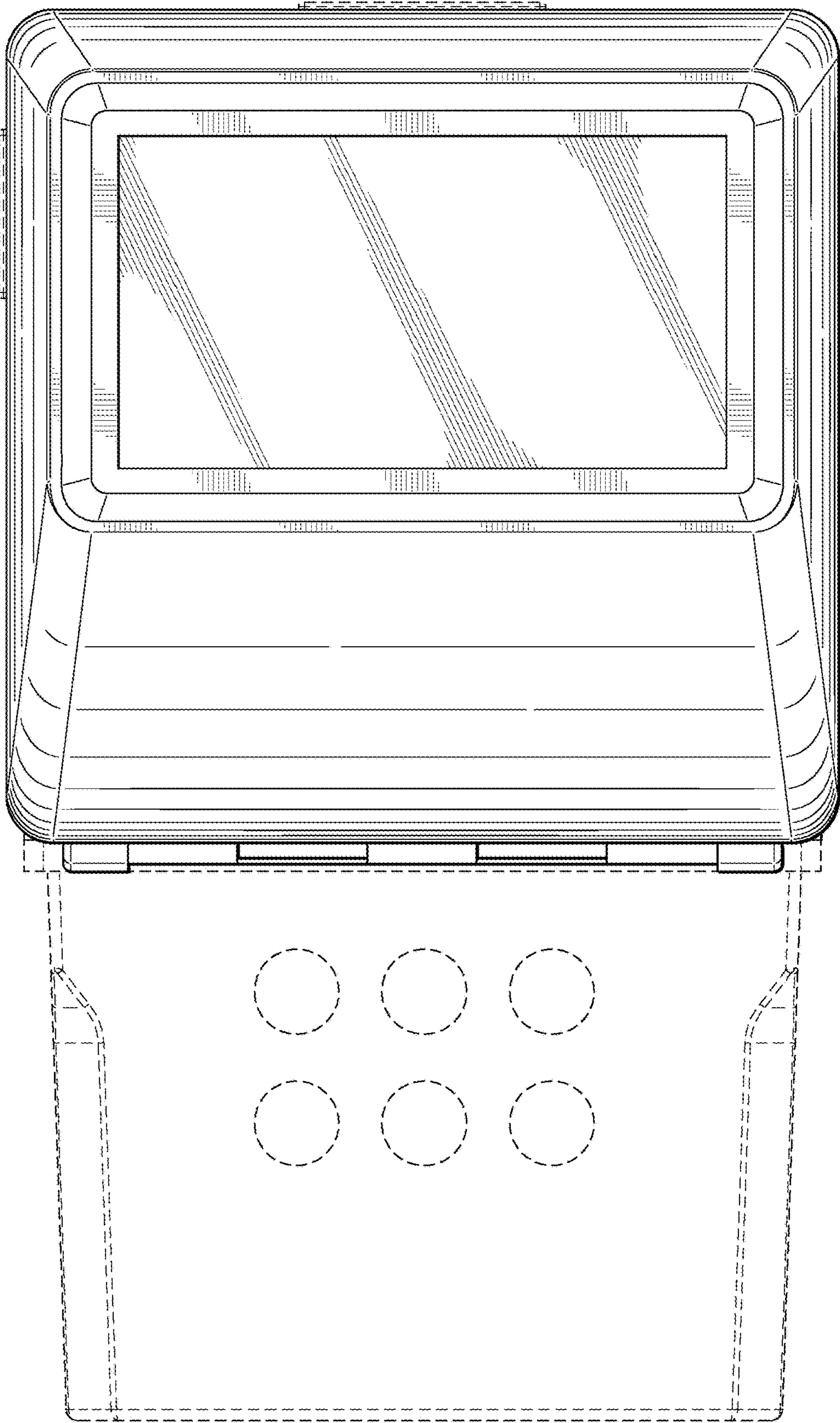


FIG. 16

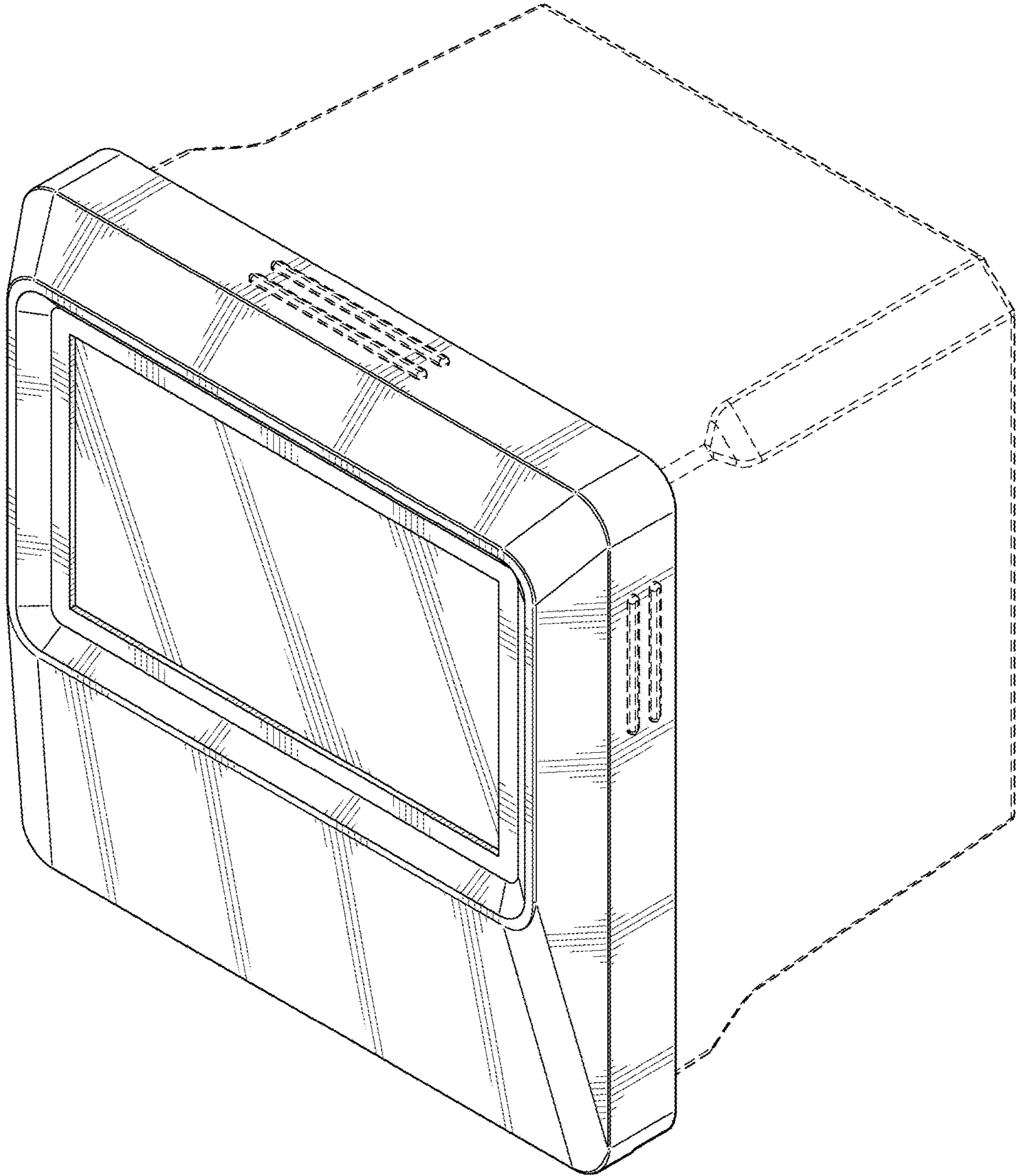


FIG. 17

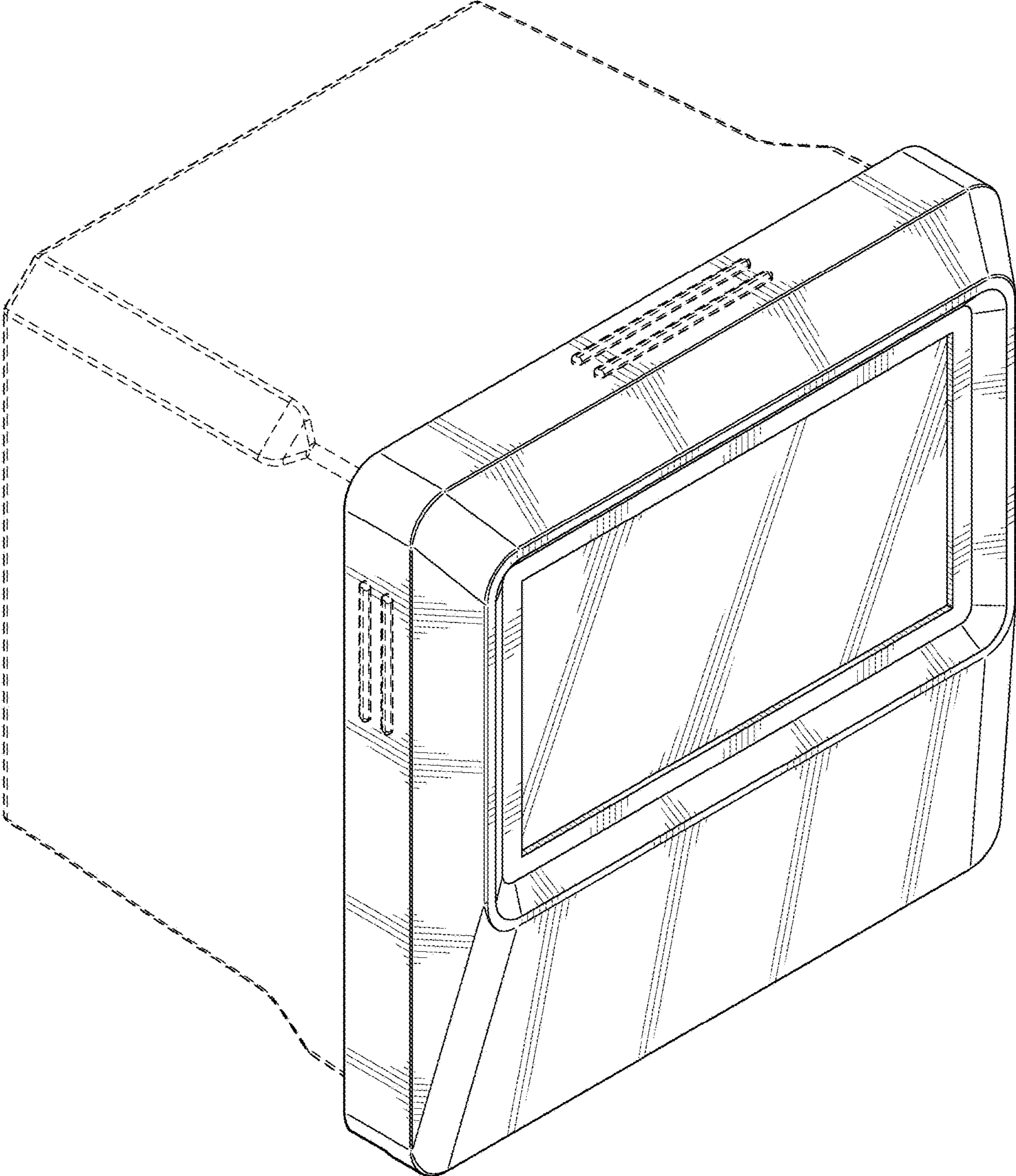


FIG. 18

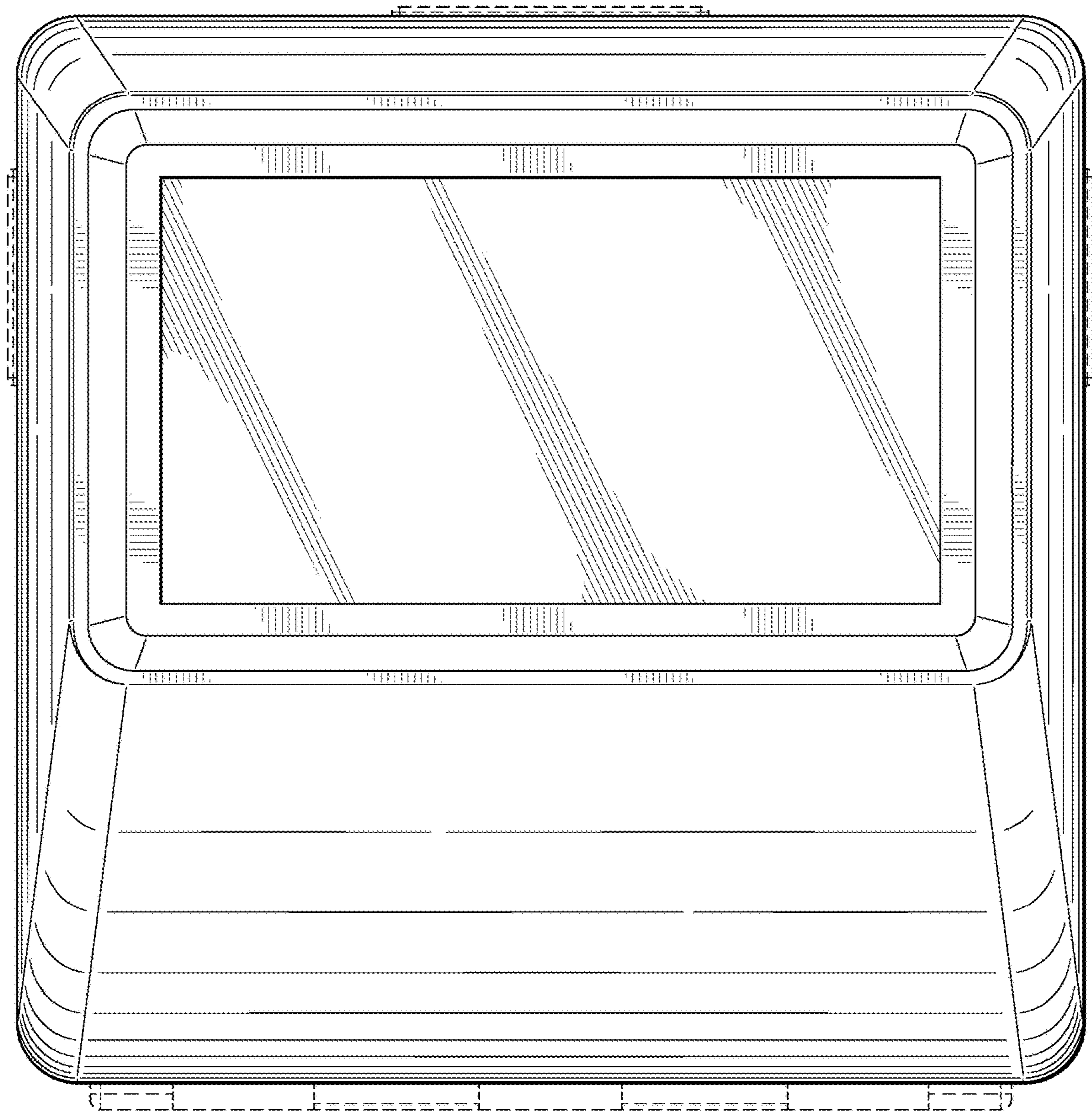


FIG. 19

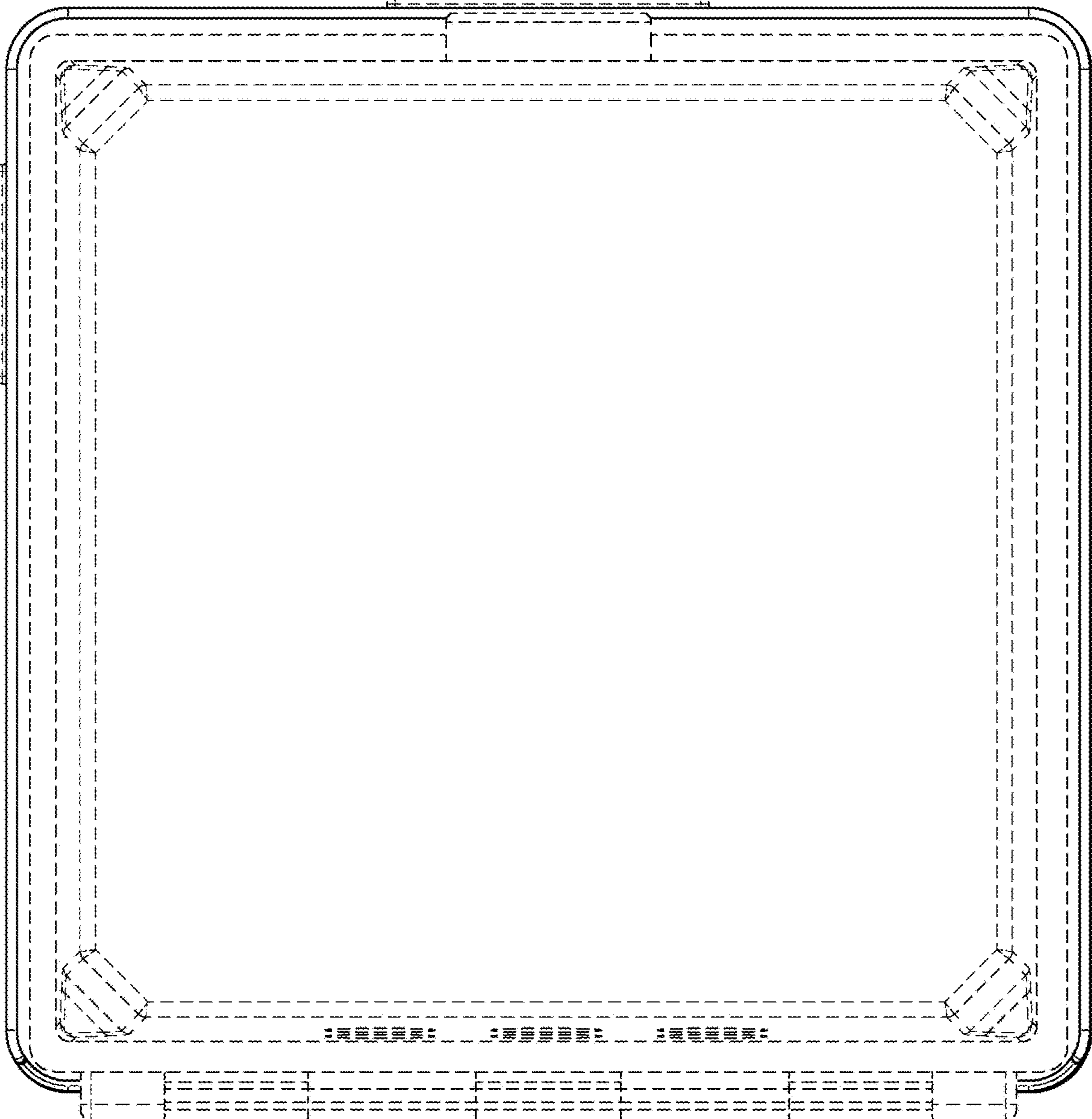


FIG. 20

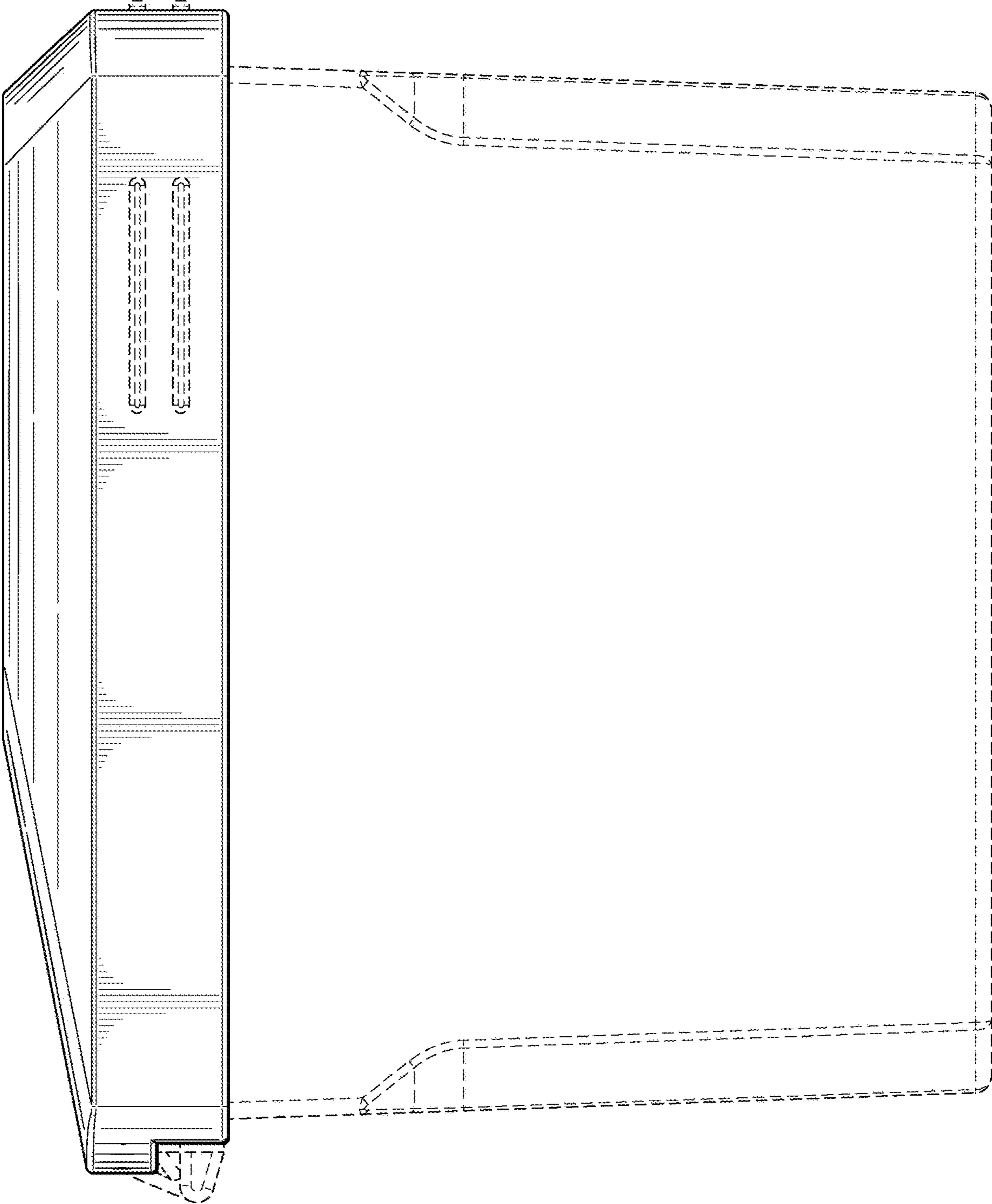


FIG. 21

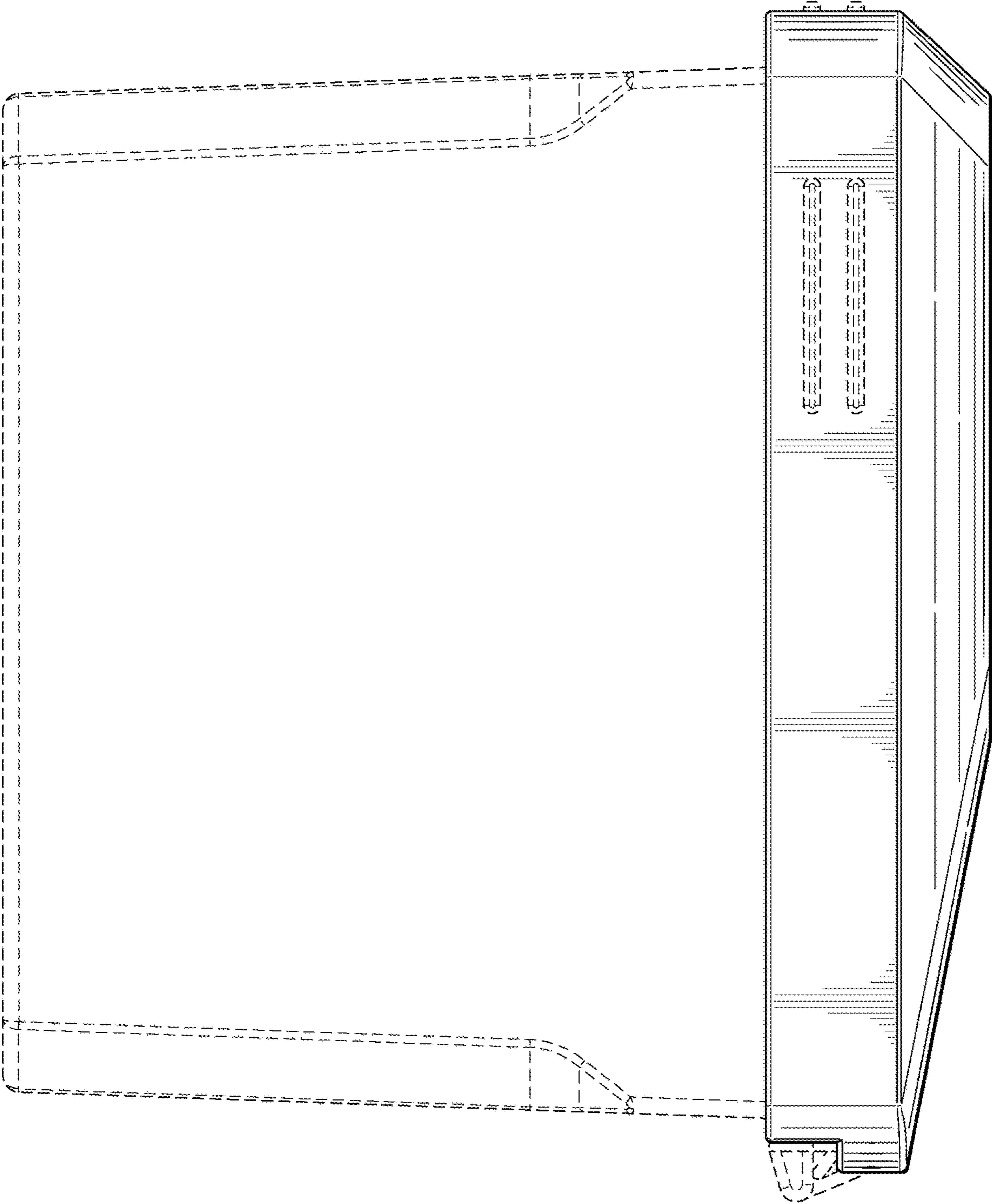


FIG. 22



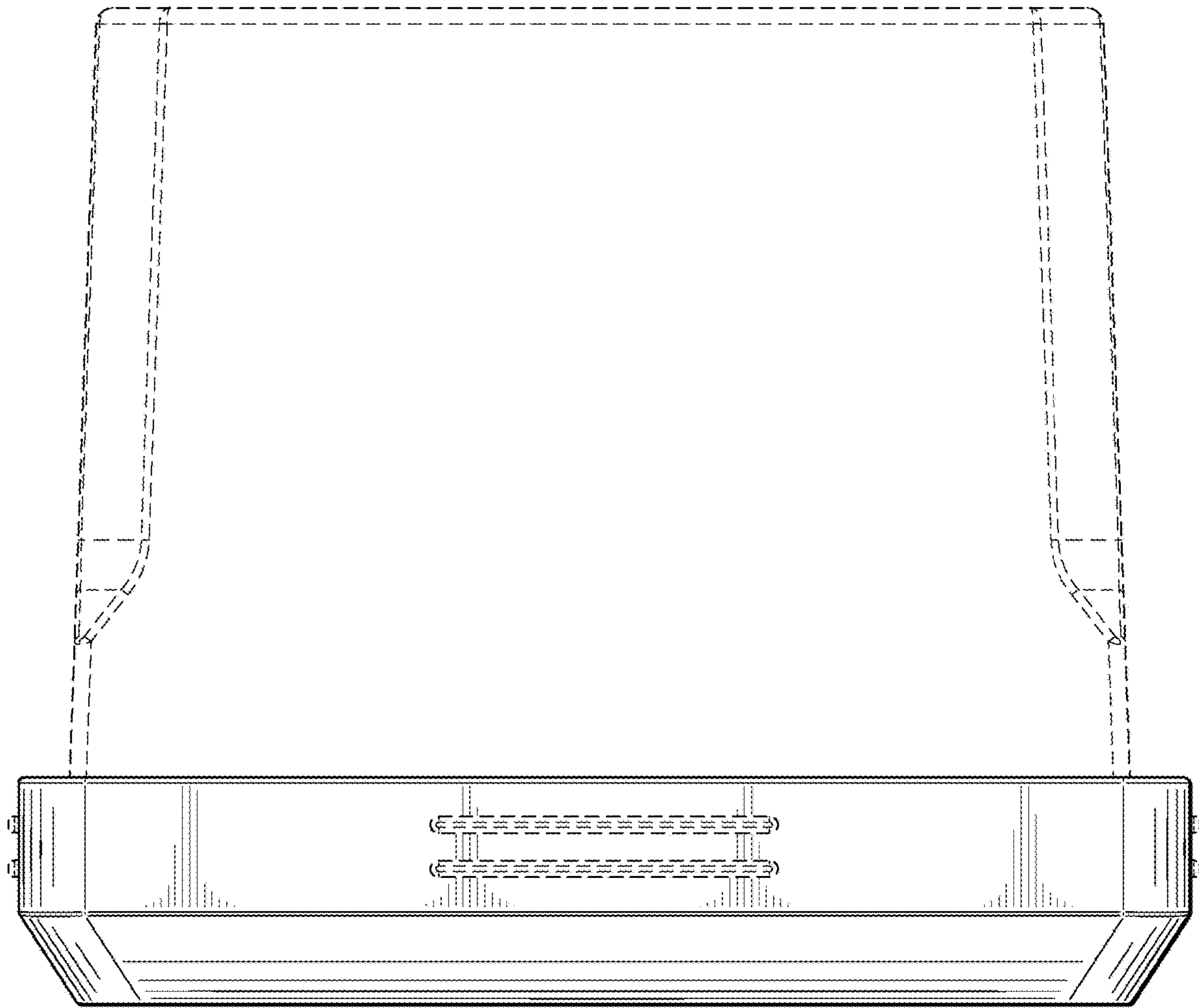


FIG. 23

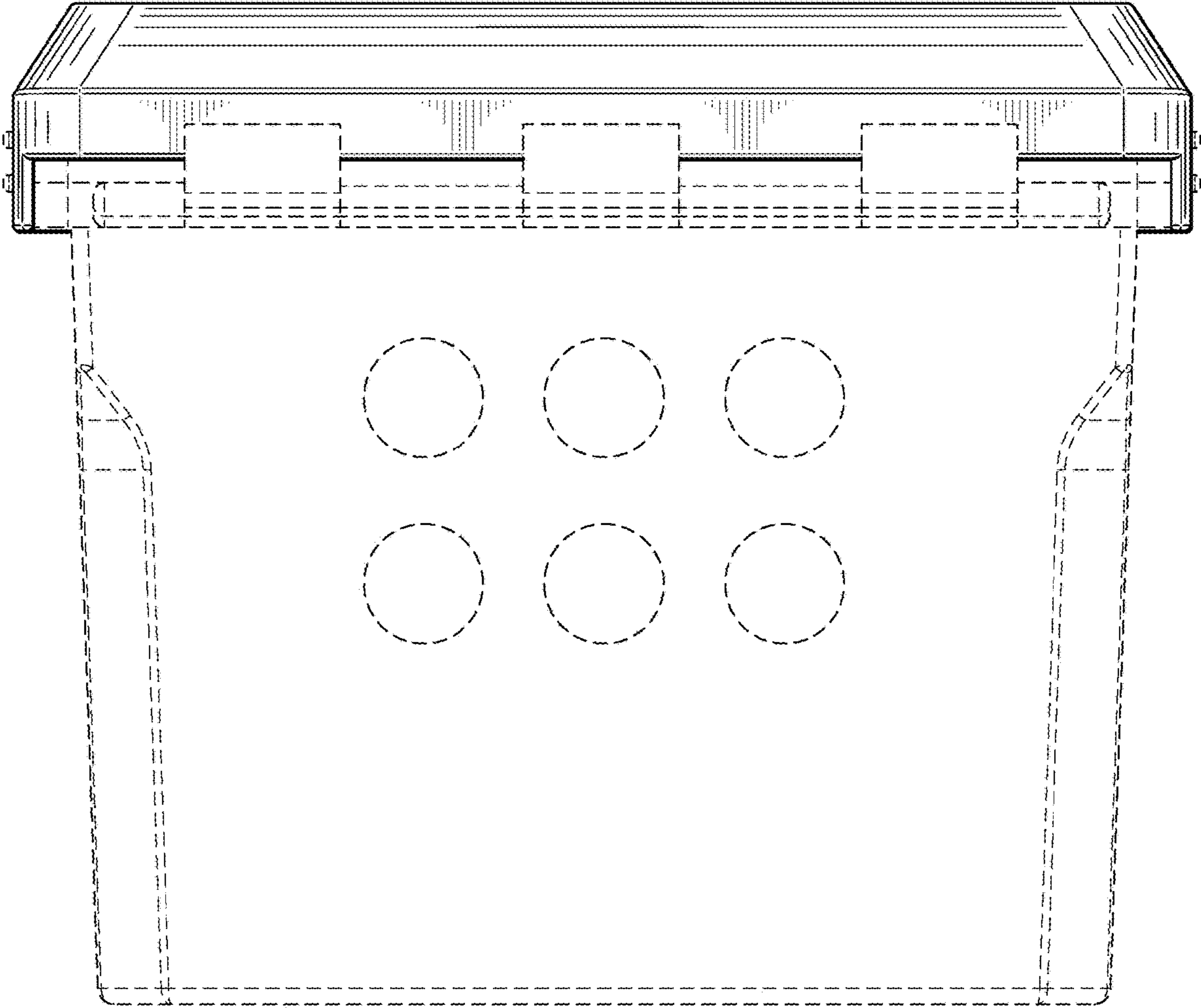


FIG. 24

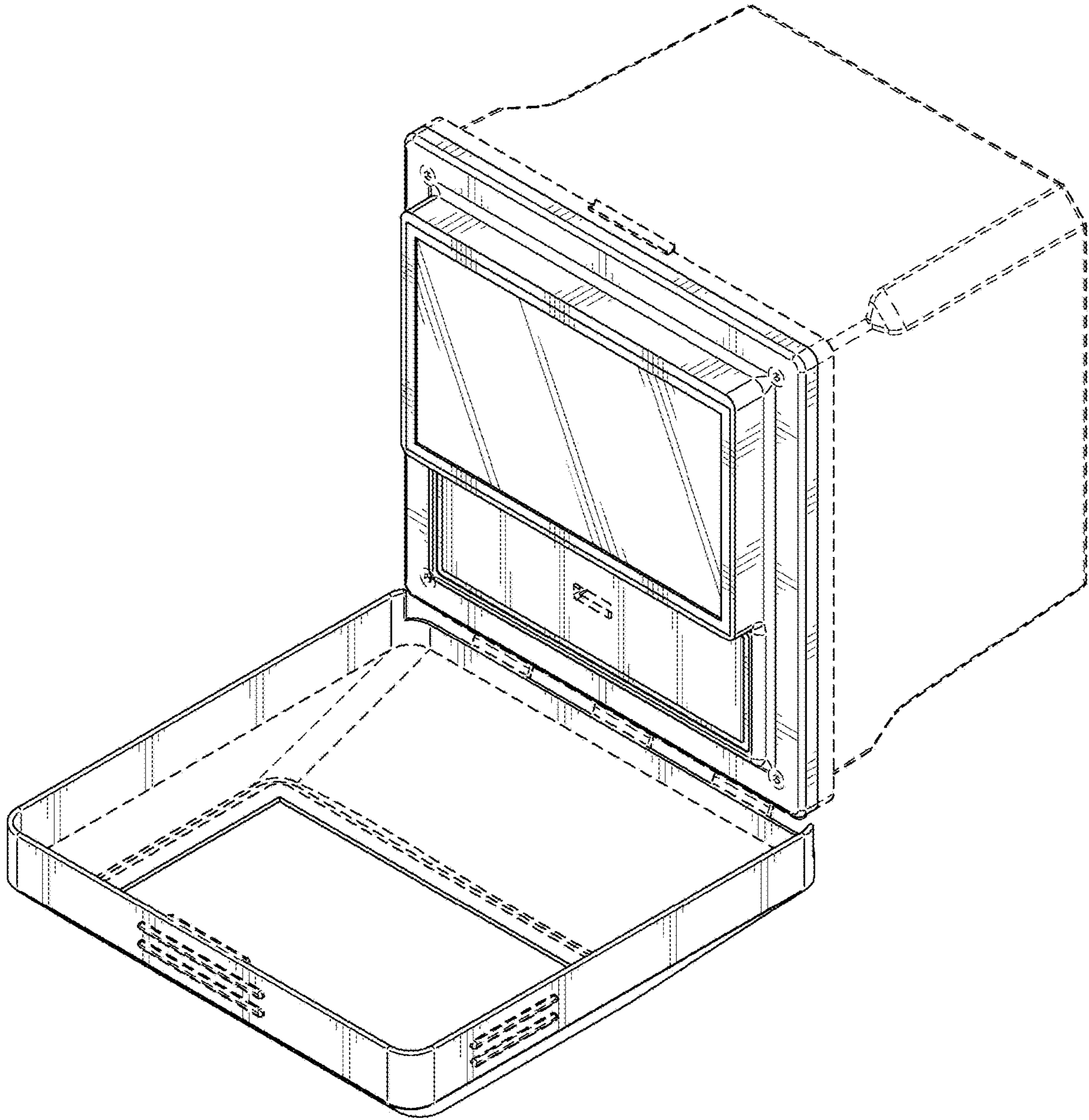


FIG. 25

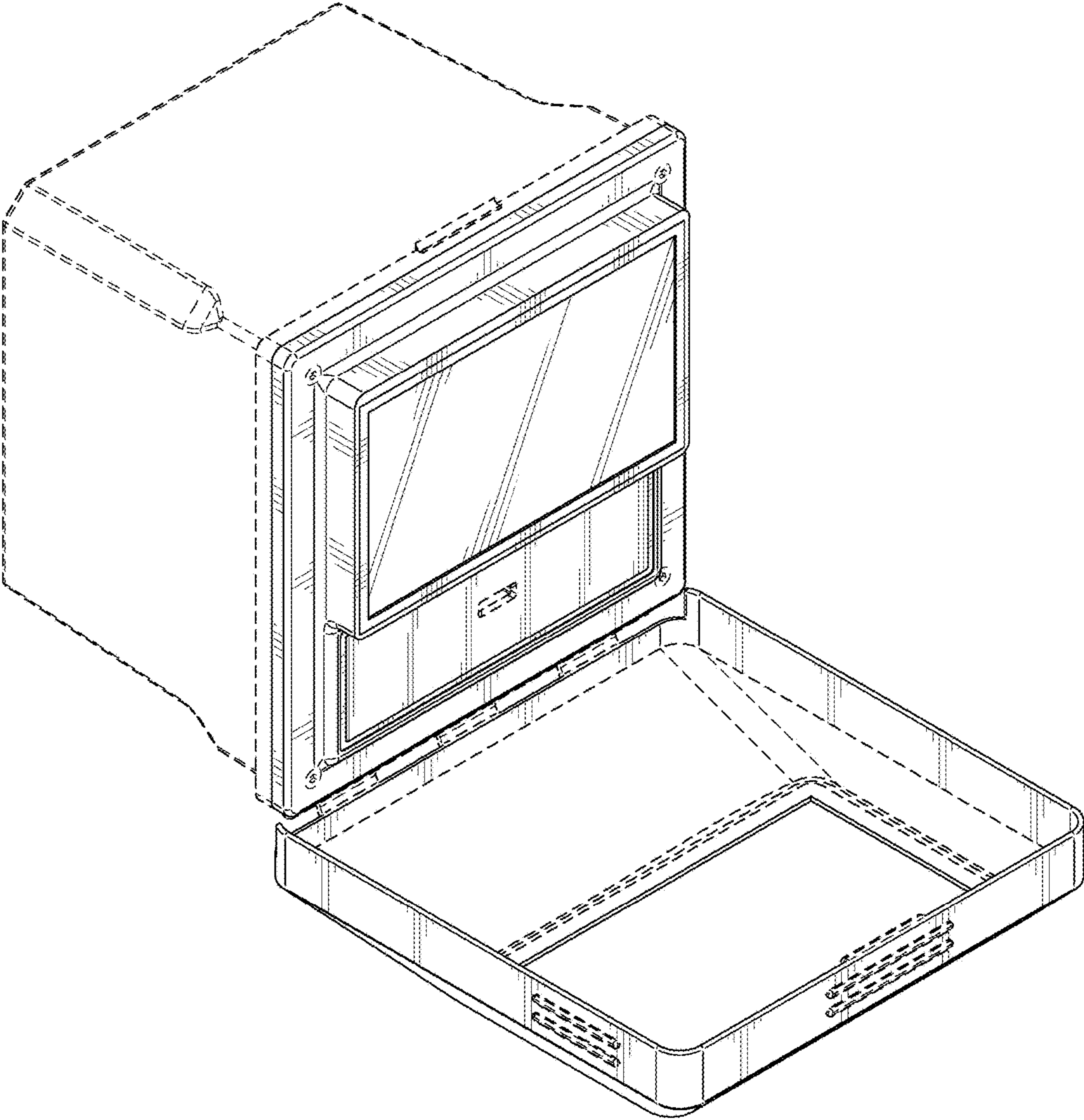


FIG. 26

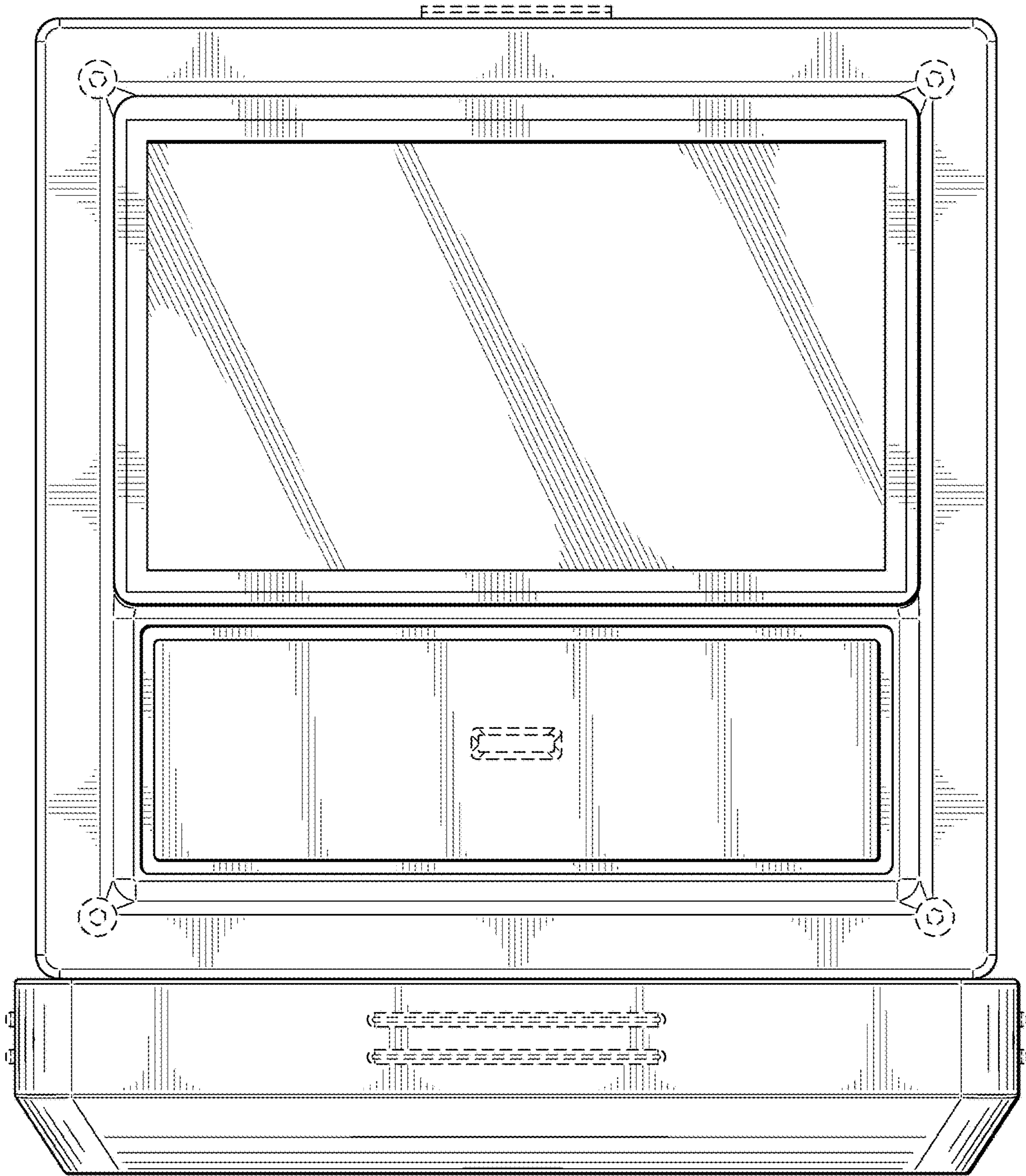


FIG. 27

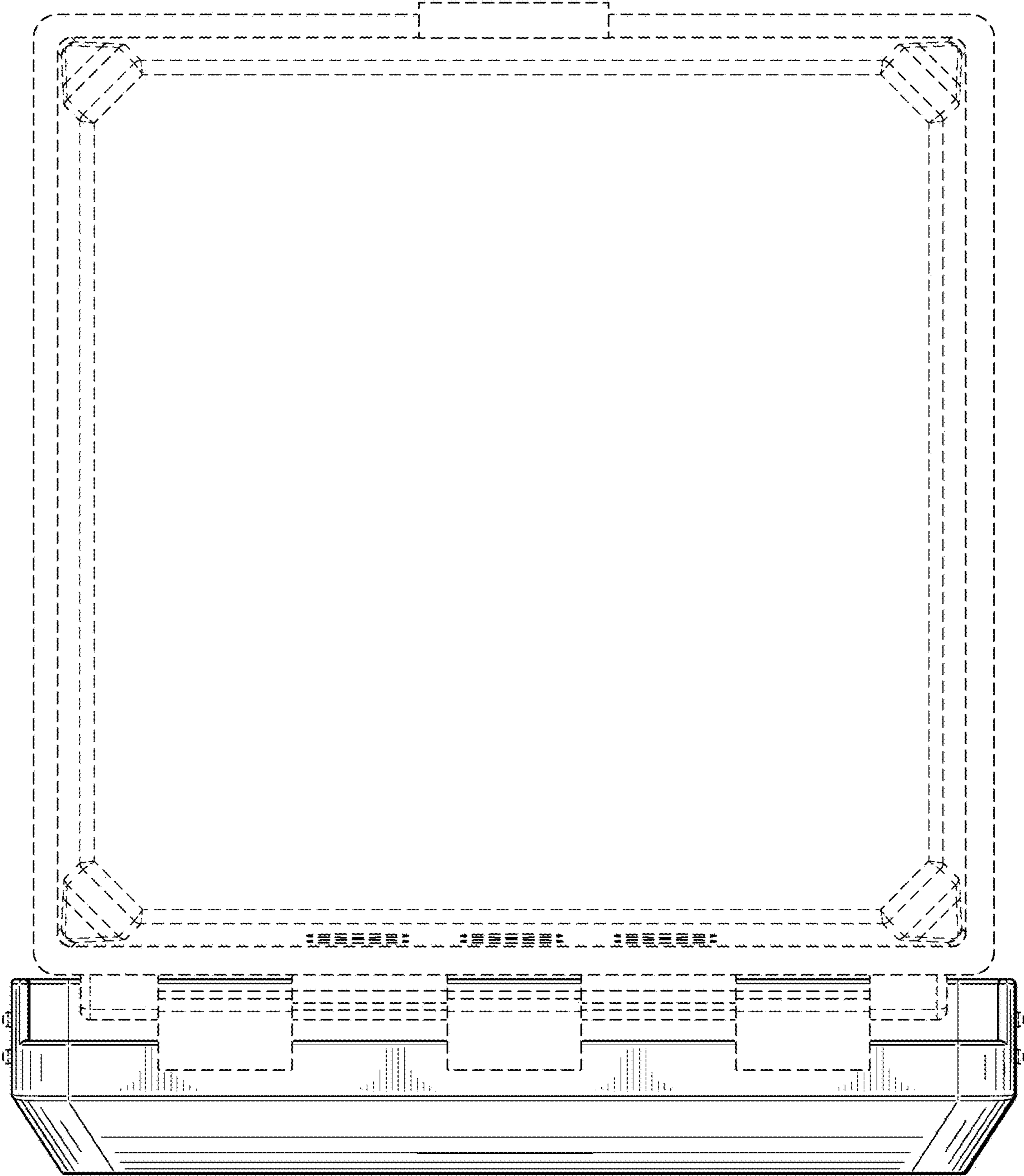


FIG. 28

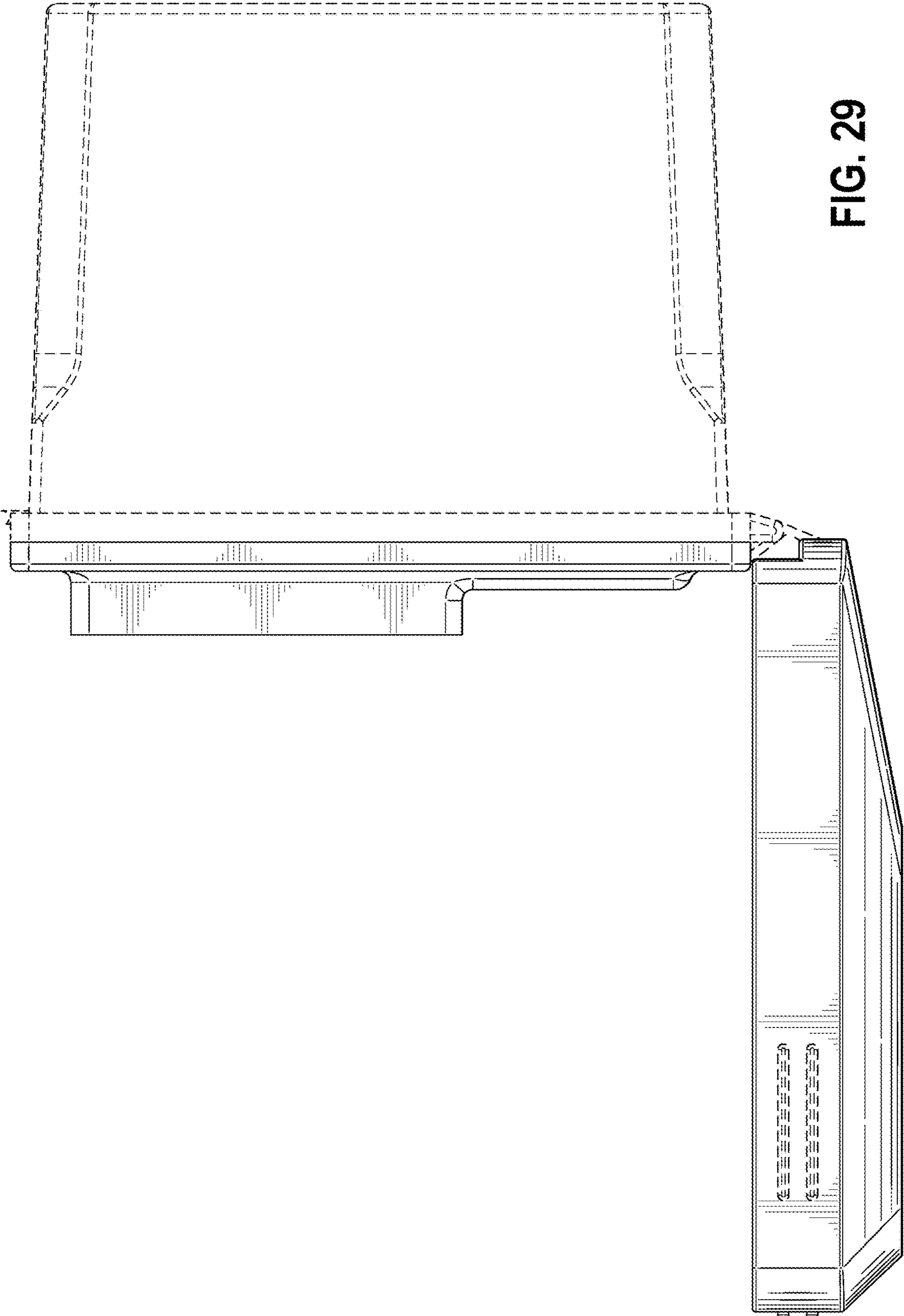


FIG. 29

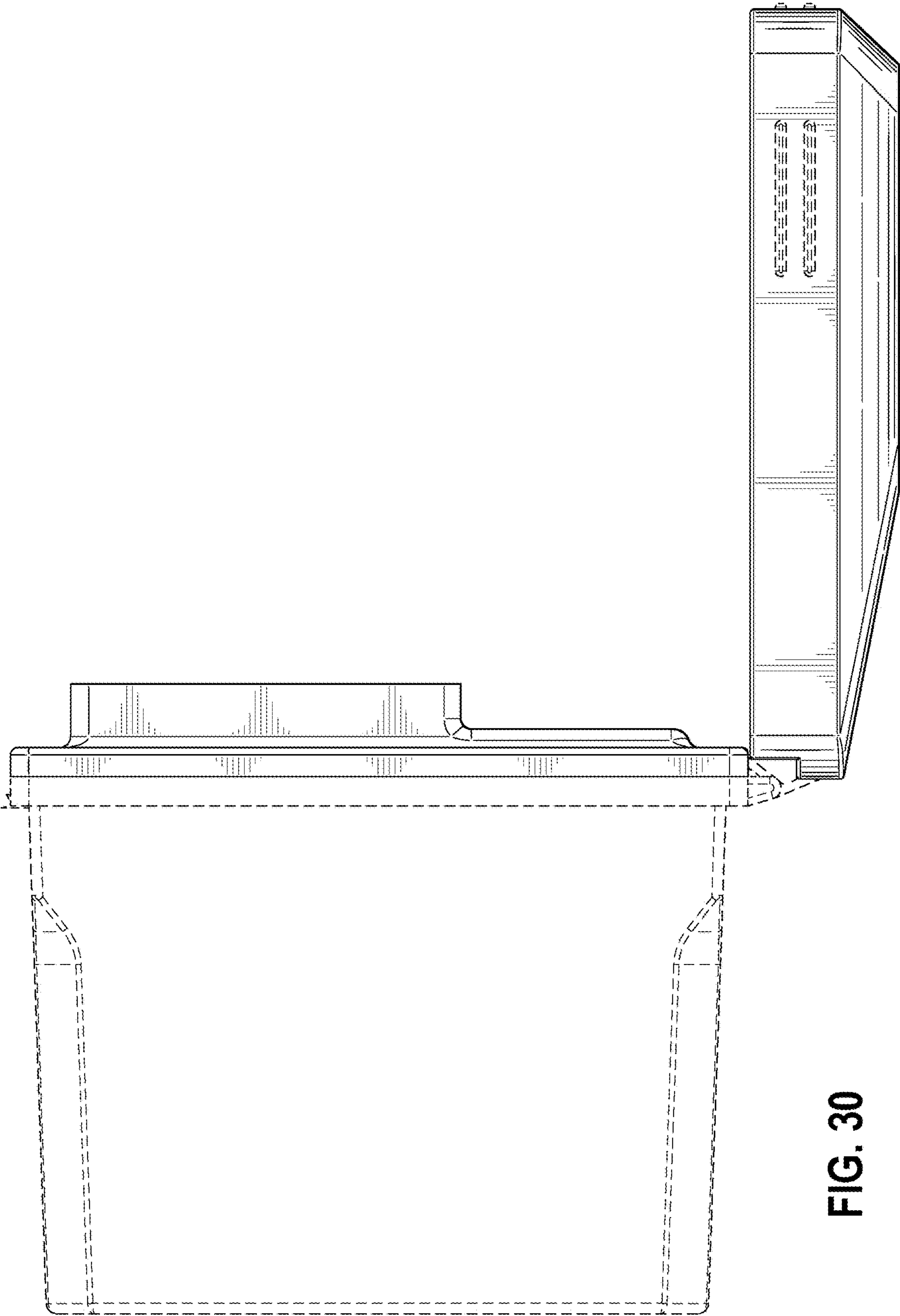


FIG. 30



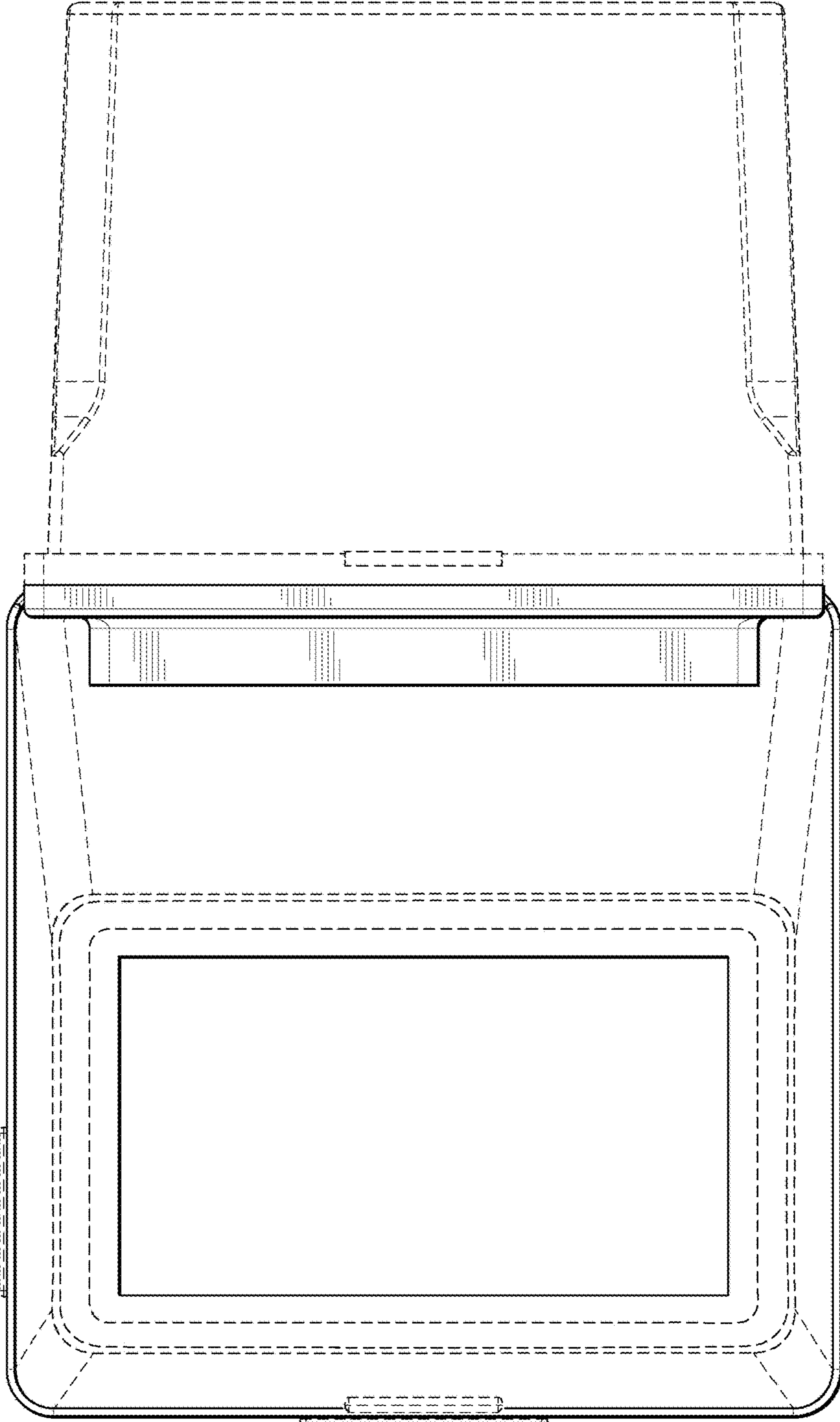


FIG. 31

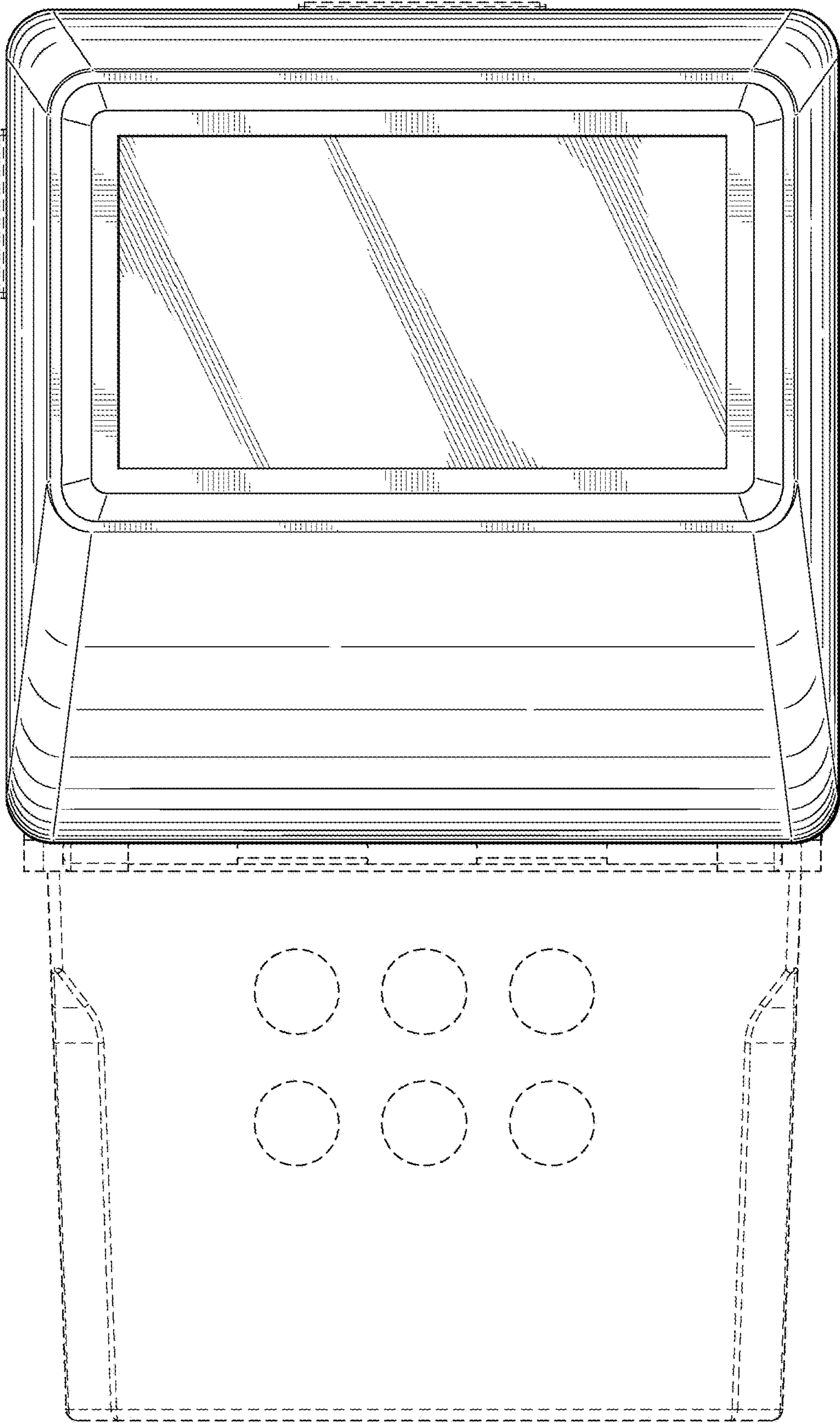


FIG. 32