



US00D954001S

(12) **United States Design Patent**
Camacho

(10) **Patent No.:** **US D954,001 S**
(45) **Date of Patent:** **** Jun. 7, 2022**

- (54) **CORD CONNECTION COVER**
- (71) Applicant: **Lawrence Camacho**, San Diego, CA
(US)
- (72) Inventor: **Lawrence Camacho**, San Diego, CA
(US)
- (**) Term: **15 Years**
- (21) Appl. No.: **29/732,107**
- (22) Filed: **Apr. 21, 2020**
- (51) **LOC (13) Cl.** **13-03**
- (52) **U.S. Cl.**
USPC **D13/156**
- (58) **Field of Classification Search**
USPC D13/110, 133, 149, 154, 155, 156, 157;
D14/433
CPC H01R 13/443; H01R 13/447
See application file for complete search history.

7,285,725	B1	10/2007	Saman	
D569,349	S *	5/2008	Preston	D13/156
D576,110	S *	9/2008	Phelps	D13/156
7,553,181	B1	6/2009	Van Dalinda, III	
8,870,587	B2	10/2014	Nooner	
D727,854	S *	4/2015	Chance	D13/156
D753,606	S *	4/2016	Nooner	H01R 13/5208 D13/156
D763,198	S *	8/2016	Nooner	D13/156
9,413,101	B1	8/2016	Nooner	

FOREIGN PATENT DOCUMENTS

WO WO2014130197 8/2014

* cited by examiner

Primary Examiner — Jennifer O King

(57) **CLAIM**

The ornamental design for a cord connection cover, as shown and described.

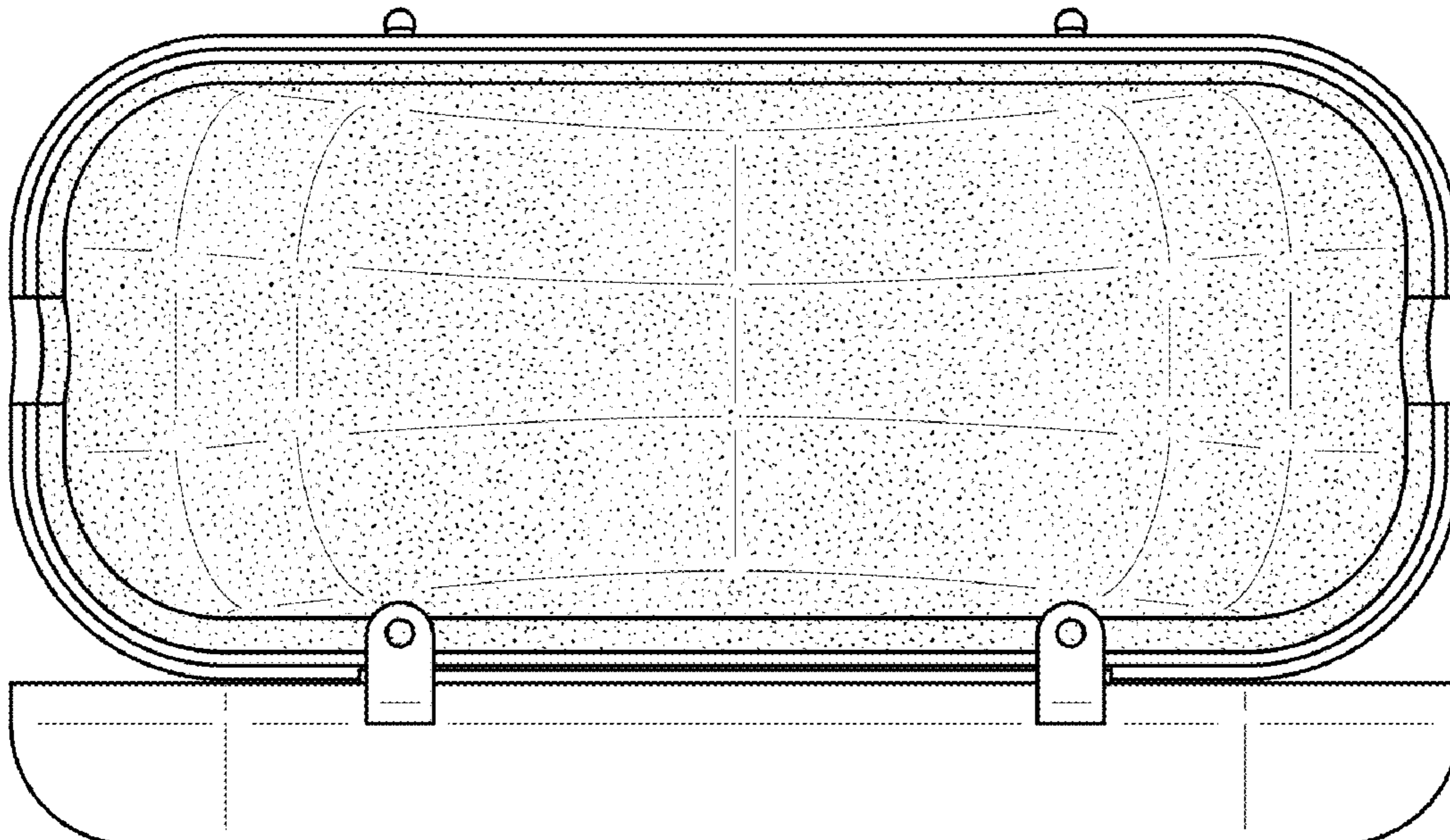
DESCRIPTION

FIG. 1 is a front view of a cord connection cover showing my new design;
 FIG. 2 is a rear view of the cord connection cover;
 FIG. 3 is a right side view of the cord connection cover;
 FIG. 4 is a left side view of the cord connection cover;
 FIG. 5 is a top view of the cord connection cover;
 FIG. 6 is a bottom view of the cord connection cover;
 FIG. 7 is a top front side perspective view of the cord connection cover;
 FIG. 8 is a top front side perspective view of the cord connection cover in use; and,
 FIG. 9 is a top front side perspective view of the cord connection cover in an alternate position.
 The broken lines are illustrative of environmental structure forming no part of the claimed design.

1 Claim, 5 Drawing Sheets

(56) **References Cited**
U.S. PATENT DOCUMENTS

2,080,743	A *	5/1937	Rah	H02G 15/113 285/53
3,147,338	A *	9/1964	Ekvall	H01R 4/38 174/138 F
5,129,839	A	7/1992	VanSkiver	
5,217,387	A	6/1993	Hull	
D371,116	S *	6/1996	Krenz	D13/156
5,913,692	A	6/1999	Targett	
6,099,340	A	8/2000	Florentine	
D432,092	S *	10/2000	Stebleton	D13/154
6,250,946	B1	6/2001	Tardy	
D460,421	S *	7/2002	Marozsan, Jr.	D13/156
D464,325	S *	10/2002	Peters	D13/156
D479,201	S *	9/2003	Limber	D13/156
D481,361	S	10/2003	Barnes	
D499,330	S *	12/2004	Peato	D13/156



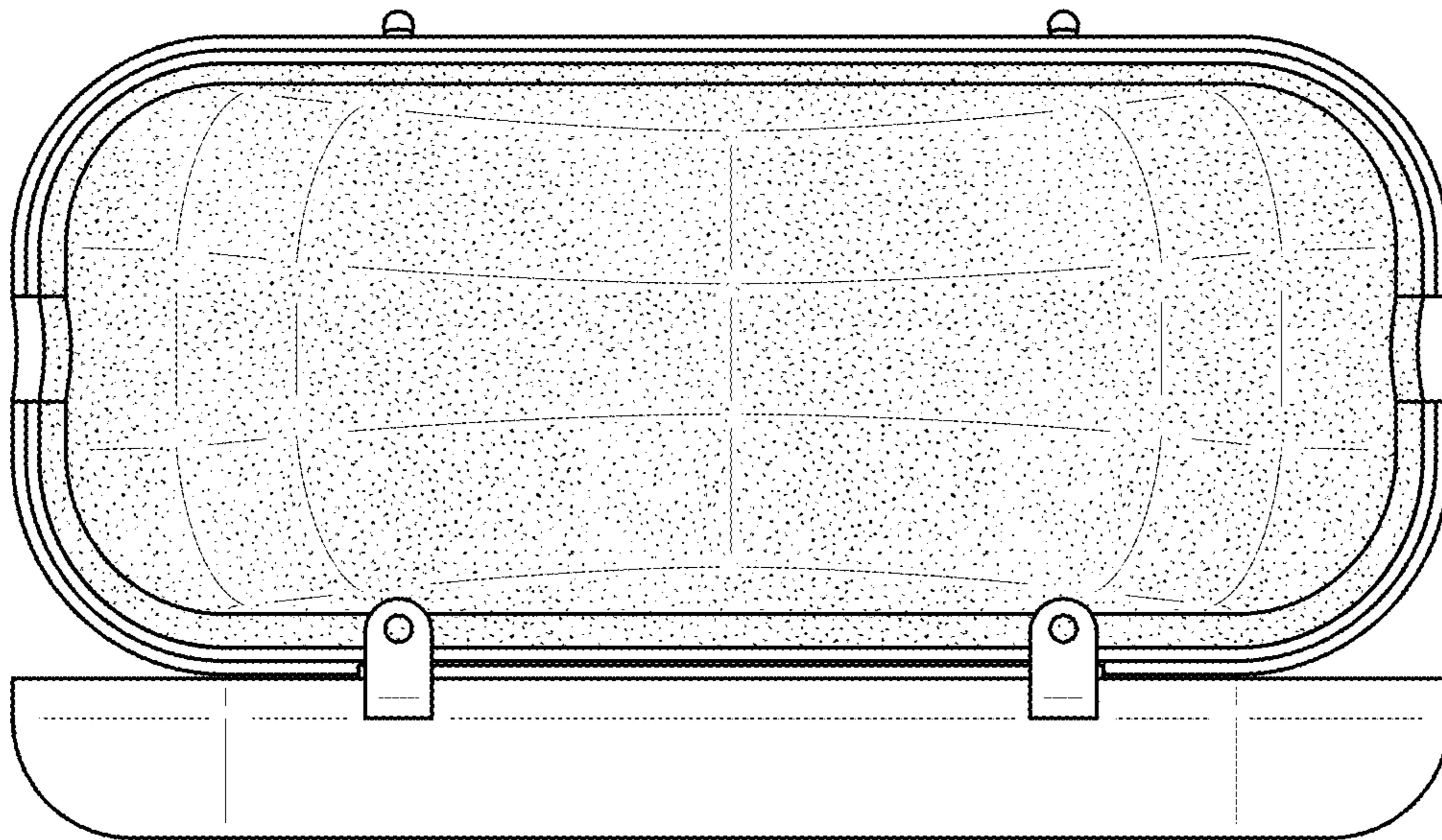


FIG. 1

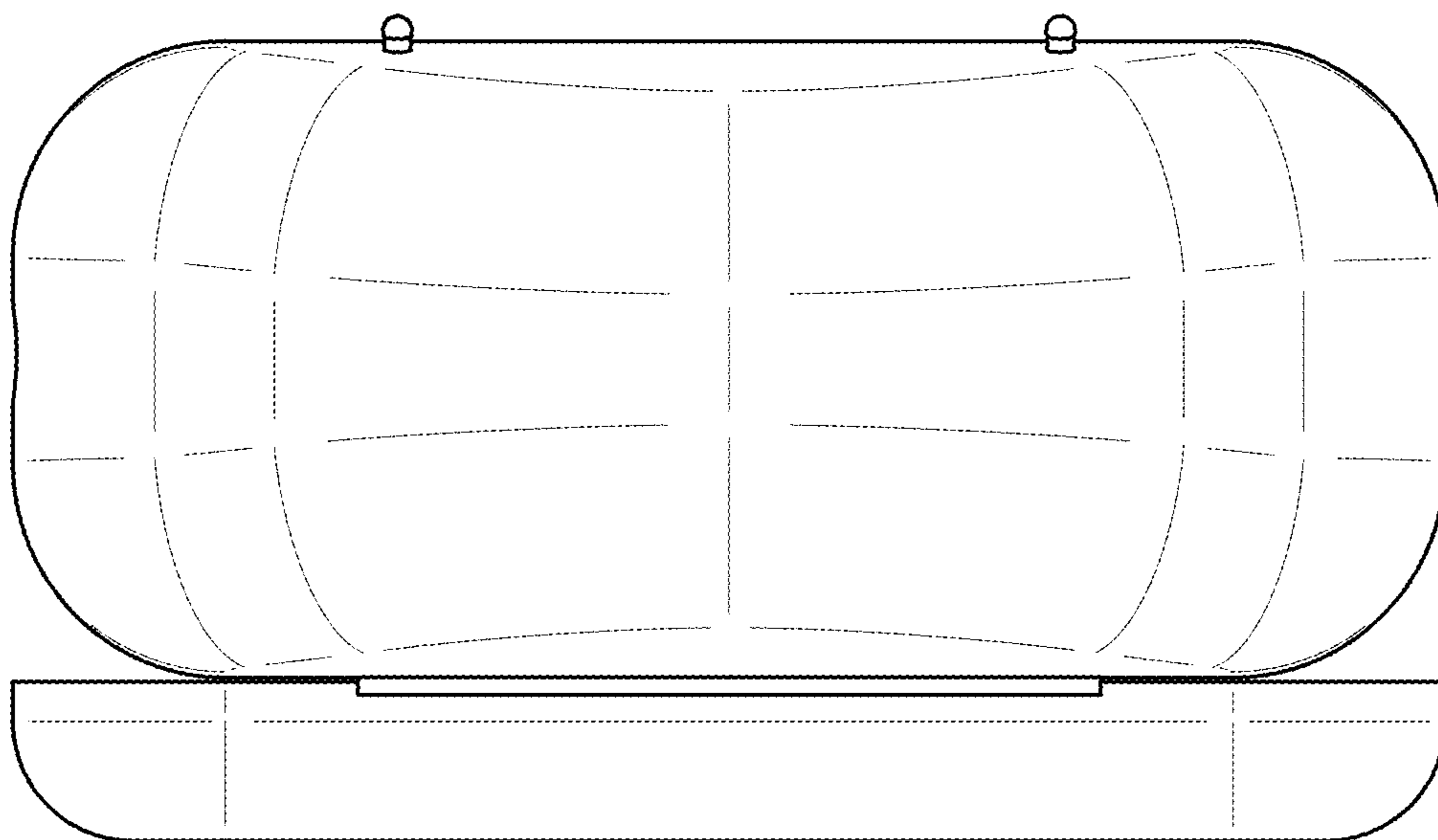


FIG. 2

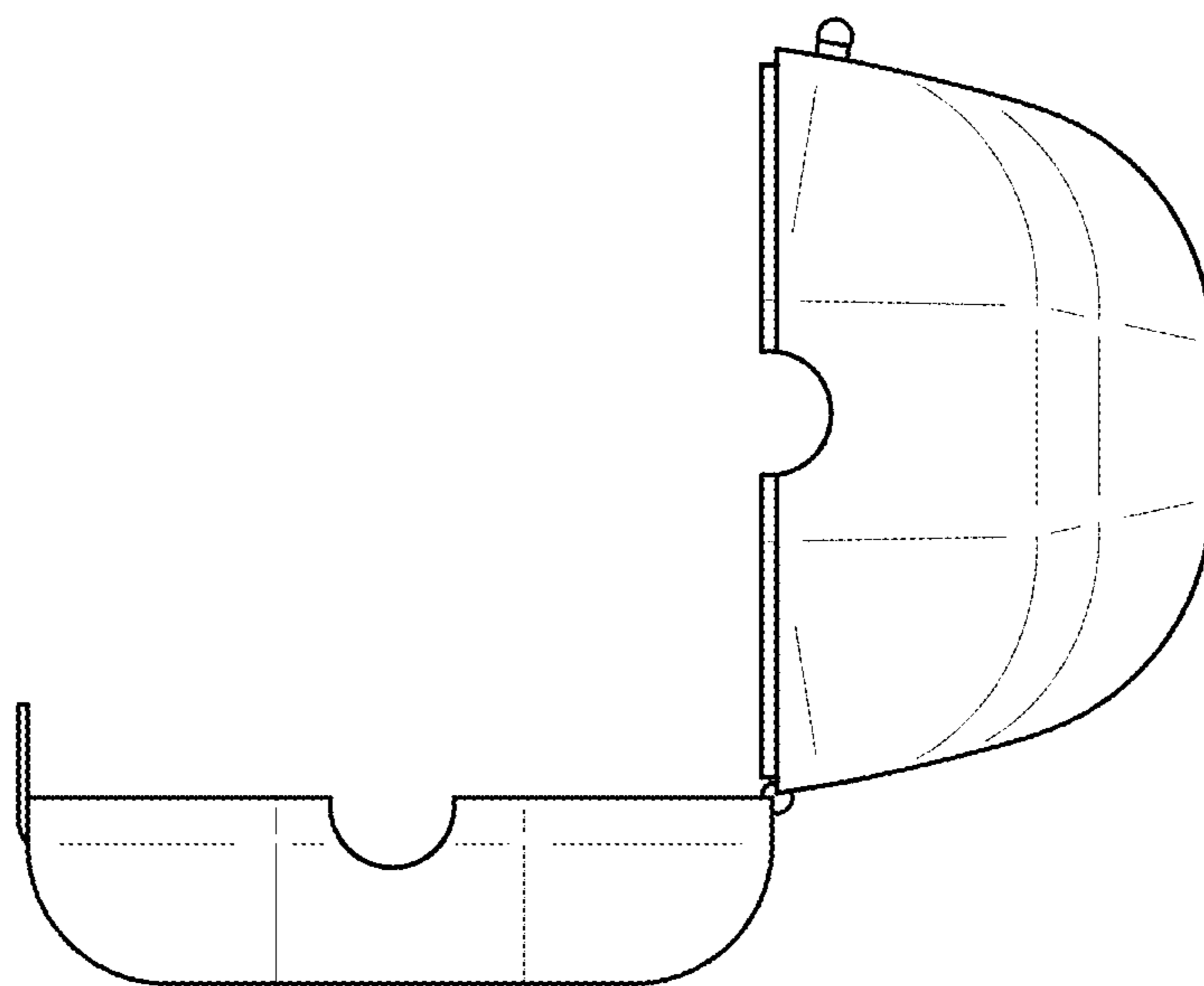


FIG. 3

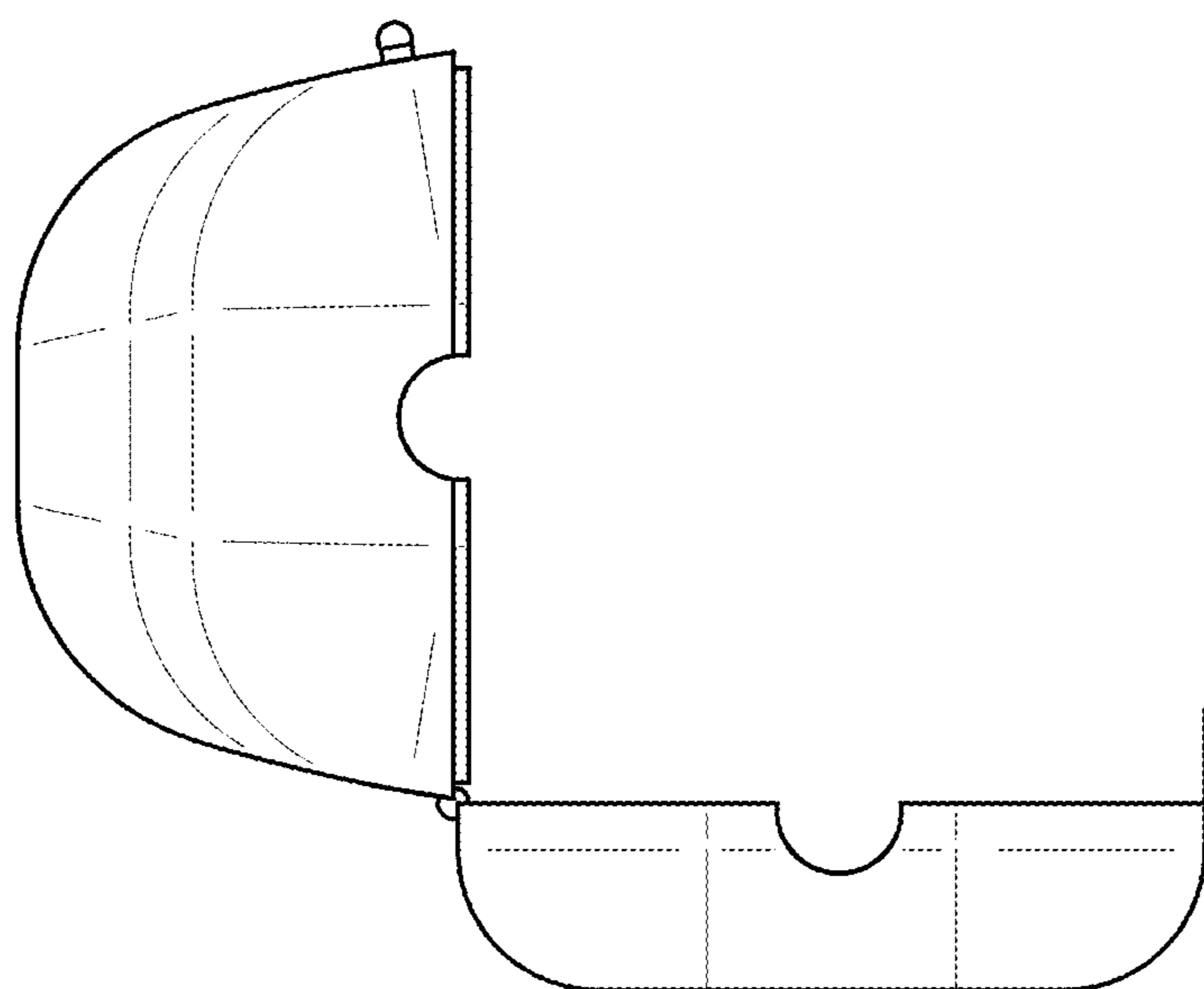


FIG. 4

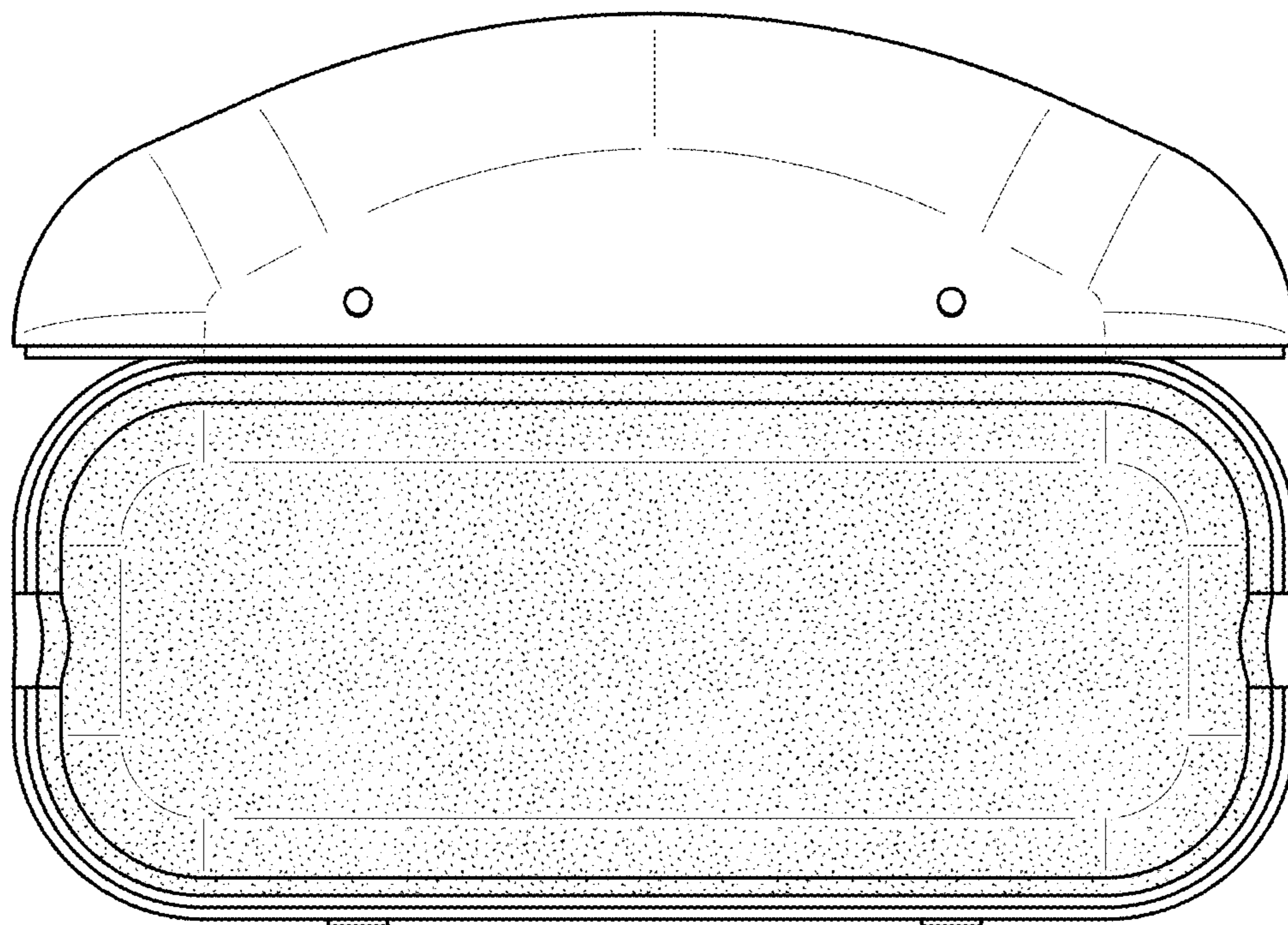


FIG. 5

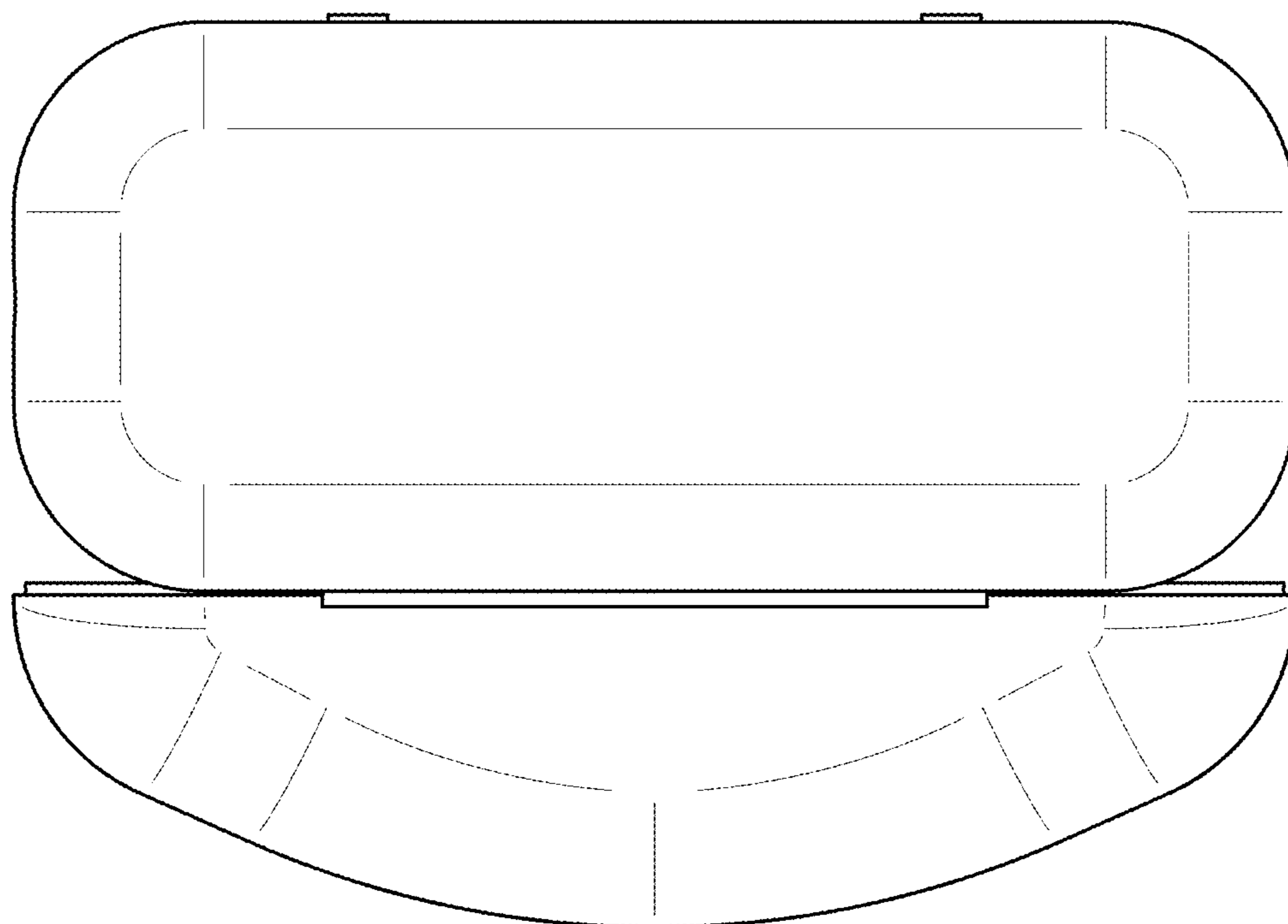


FIG. 6

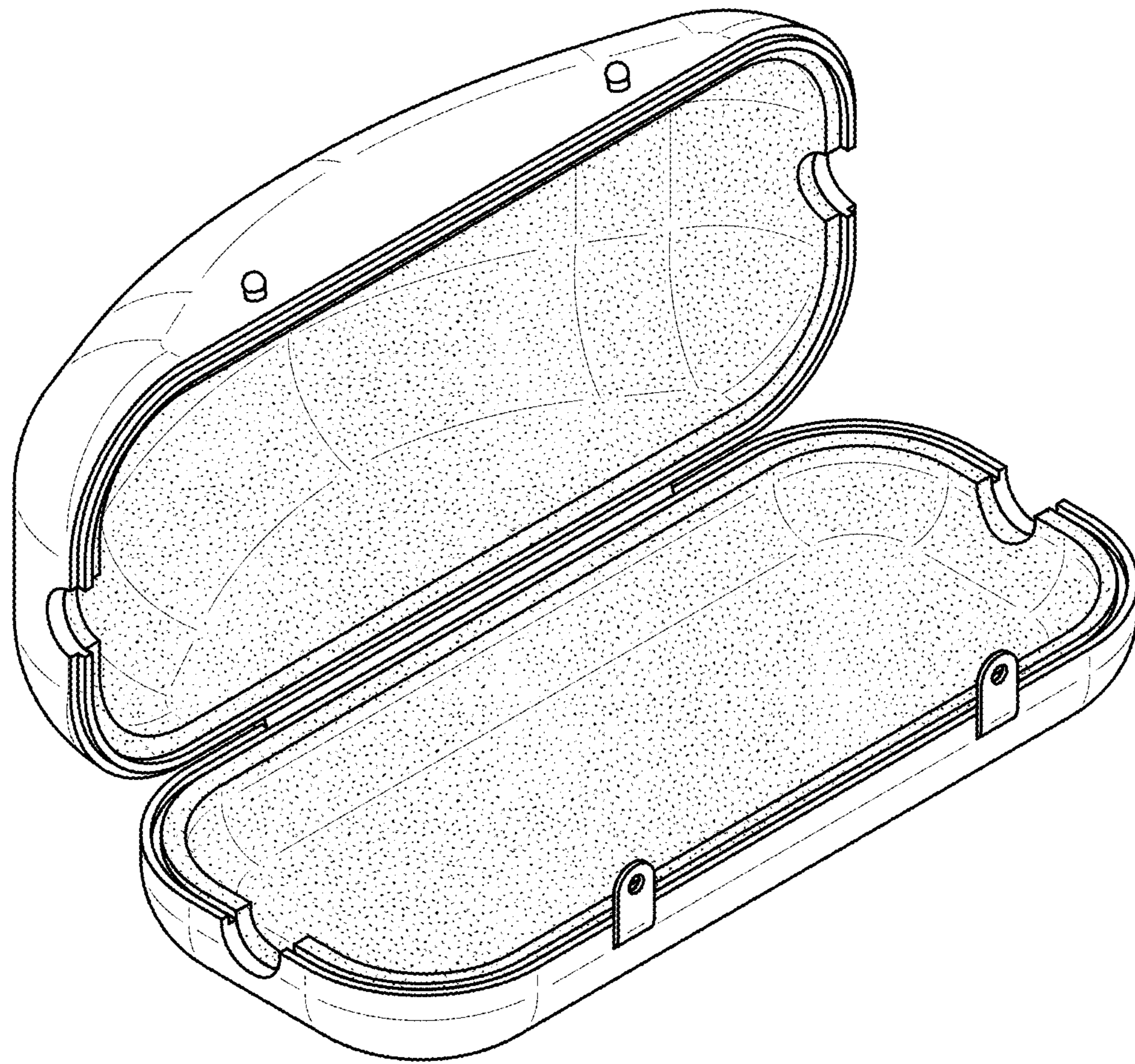


FIG. 7

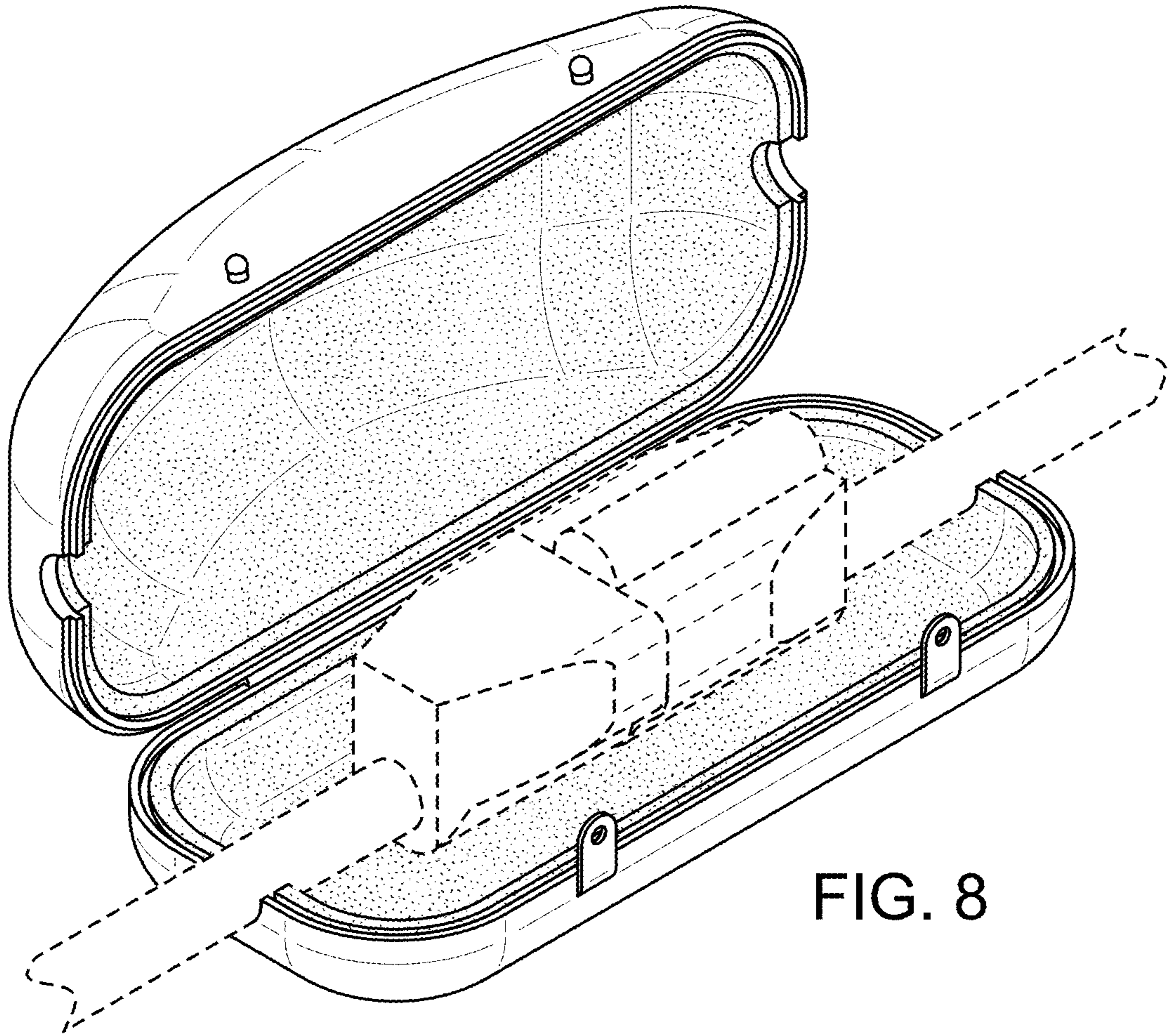


FIG. 8

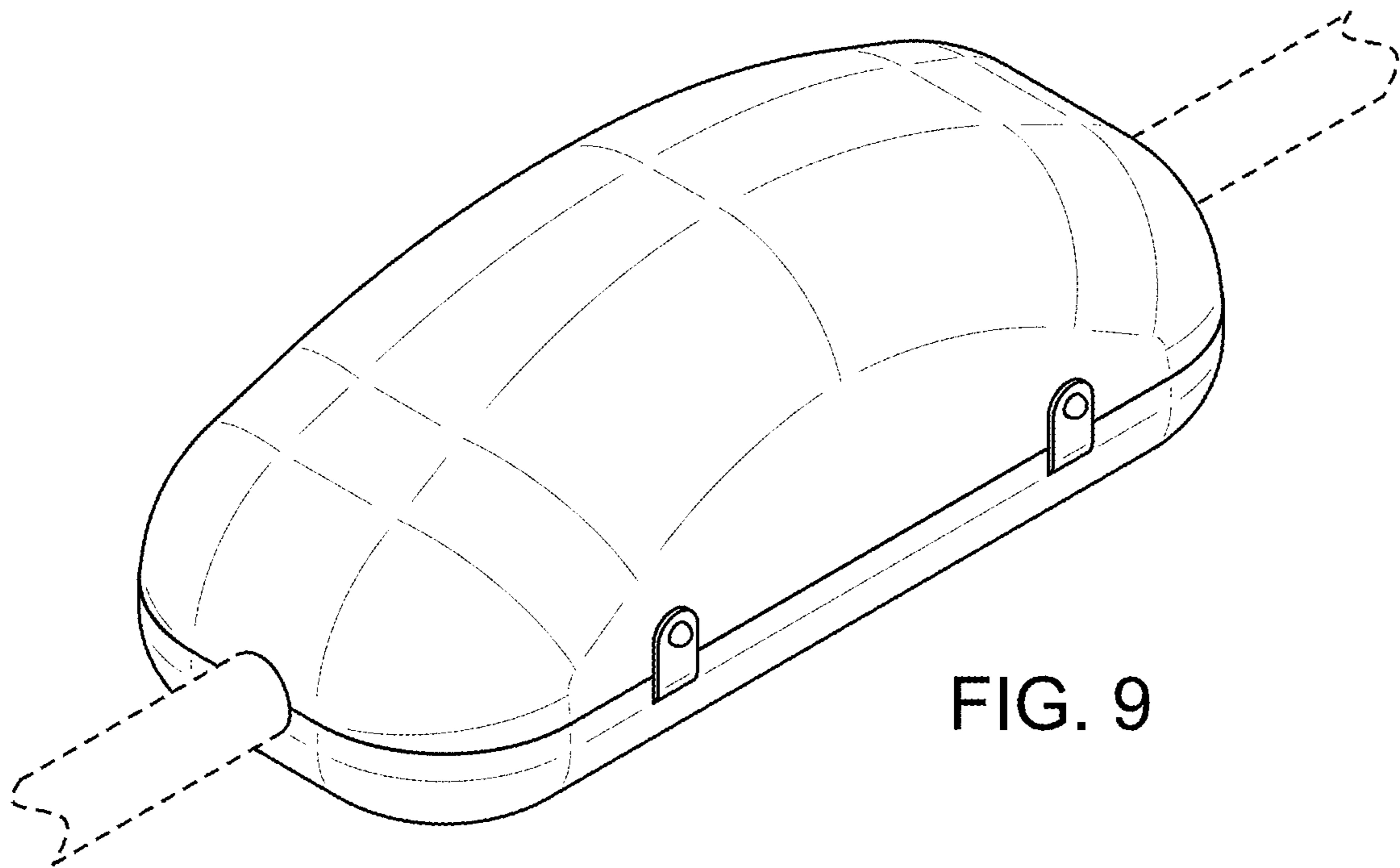


FIG. 9