



US00D953999S

(12) **United States Design Patent**
Krivonak et al.

(10) **Patent No.:** **US D953,999 S**
(45) **Date of Patent:** **** Jun. 7, 2022**

- (54) **INVERTER DIRECT CURRENT BUSBAR**
- (71) Applicant: **Transportation IP Holdings, LLC**,
Norwalk, CT (US)
- (72) Inventors: **Andrew Louis Krivonak**, Erie, PA
(US); **Henry Todd Young**, Erie, PA
(US); **Jason Kuttenkuler**, Erie, PA
(US); **Mark Murphy**, Erie, PA (US)
- (73) Assignee: **TRANSPORTATION IP HOLDINGS,**
LLC, Norwalk, CT (US)

D798,822 S *	10/2017	Jiang	D13/154
D816,619 S *	5/2018	Murphy	D13/154
10,454,349 B2 *	10/2019	Ratadiya	H02M 7/003
D896,184 S *	9/2020	Murphy	D13/154
D918,845 S *	5/2021	Murphy	D13/154
11,102,900 B2 *	8/2021	Kuttenkuler	H02K 11/046
2006/0191703 A1 *	8/2006	Charrier	H02G 5/00
			174/68.1
2011/0235276 A1 *	9/2011	Hentschel	H05K 7/20927
			361/699
2016/0308455 A1 *	10/2016	Ratadiya	H02M 7/003
2019/0366951 A1 *	12/2019	Young	H01G 2/04
2020/0366216 A1 *	11/2020	Usui	H05K 1/181

* cited by examiner

(**) Term: **15 Years**

(21) Appl. No.: **29/725,461**

(22) Filed: **Feb. 25, 2020**

(51) **LOC (13) Cl.** **13-03**

(52) **U.S. Cl.**
USPC **D13/154; D13/147**

(58) **Field of Classification Search**
USPC D13/123, 133, 146, 154, 147
CPC ... H02B 1/20; H02B 1/21; H02B 1/22; H02G
5/00; H02G 5/005; H02G 5/007; H02G
5/04; H02G 5/06; H02M 7/003; H02M
7/44; H02P 27/06; H05K 7/1432; B60R
16/02

See application file for complete search history.

(56) **References Cited**

U.S. PATENT DOCUMENTS

D742,328 S *	11/2015	Murphy	D13/154
D743,897 S *	11/2015	Krivonak	D13/147
D743,899 S *	11/2015	Murphy	D13/147
D743,900 S *	11/2015	Murphy	D13/147
9,270,199 B2 *	2/2016	Kobayashi	H05K 7/20918
D760,658 S *	7/2016	Perlaguri	D13/154
D760,663 S *	7/2016	Krivonak	D13/154
D760,664 S *	7/2016	Murphy	D13/154
D782,981 S *	4/2017	Murphy	D13/154
D794,574 S *	8/2017	Murphy	D13/154

Primary Examiner — Selina Sikder

(74) *Attorney, Agent, or Firm* — Christopher R. Carroll;
The Small Patent Law Group LLC

(57) **CLAIM**

The ornamental design for an inverter direct current busbar, as shown and described.

DESCRIPTION

FIG. 1 is a perspective view of the inverter direct current busbar;

FIG. 2 is a right side view of the inverter direct current busbar shown in FIG. 1;

FIG. 3 is a left side view of the inverter direct current busbar shown in FIG. 1;

FIG. 4 is a rear view of the inverter direct current busbar shown in FIG. 1;

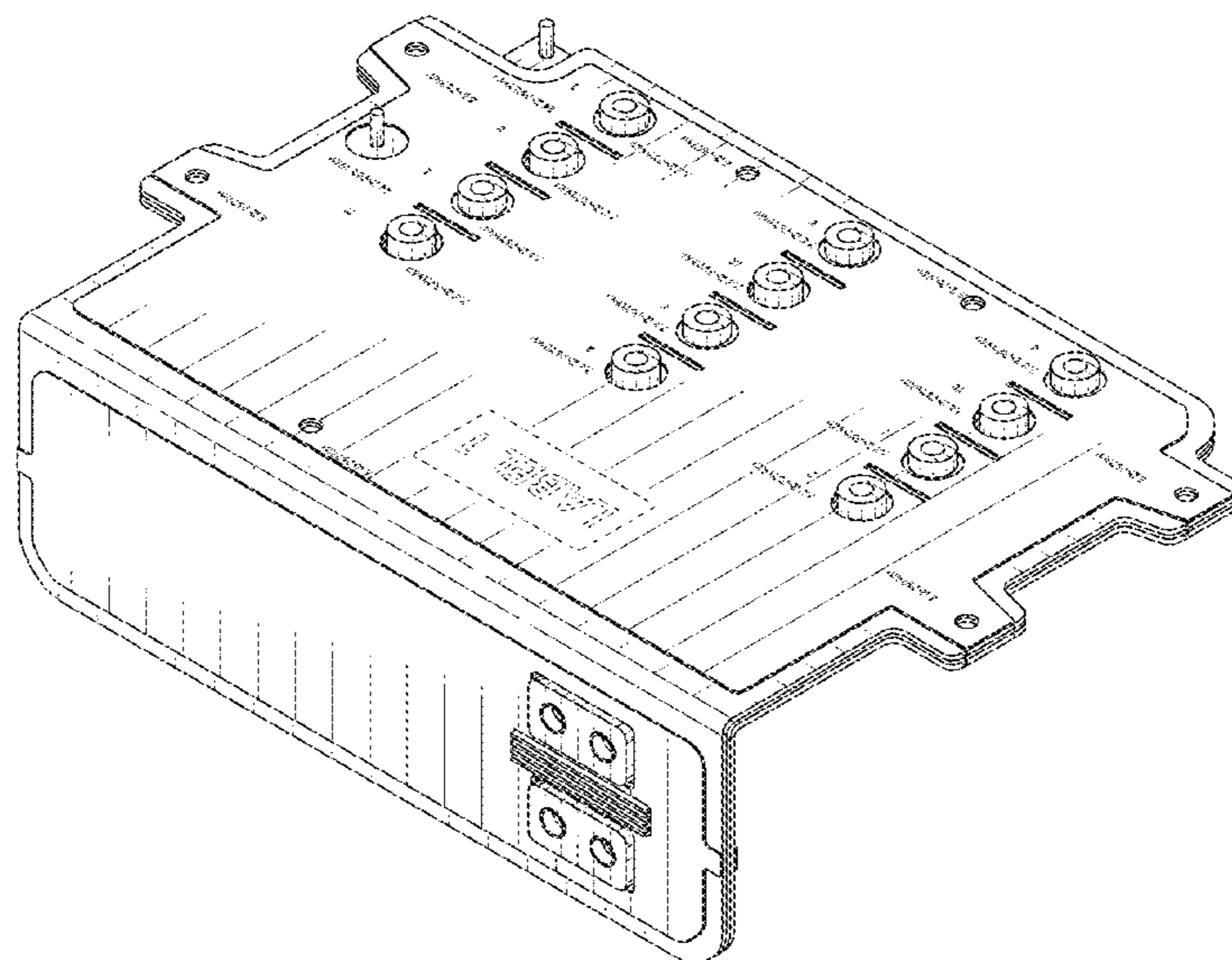
FIG. 5 is a front view of the inverter direct current busbar shown in FIG. 1;

FIG. 6 is a top view of the inverter direct current busbar shown in FIG. 1; and,

FIG. 7 is a bottom view of the inverter direct current busbar shown in FIG. 1.

The broken lines depict portions of the inverter direct current busbar which form no part of the claimed design.

1 Claim, 5 Drawing Sheets



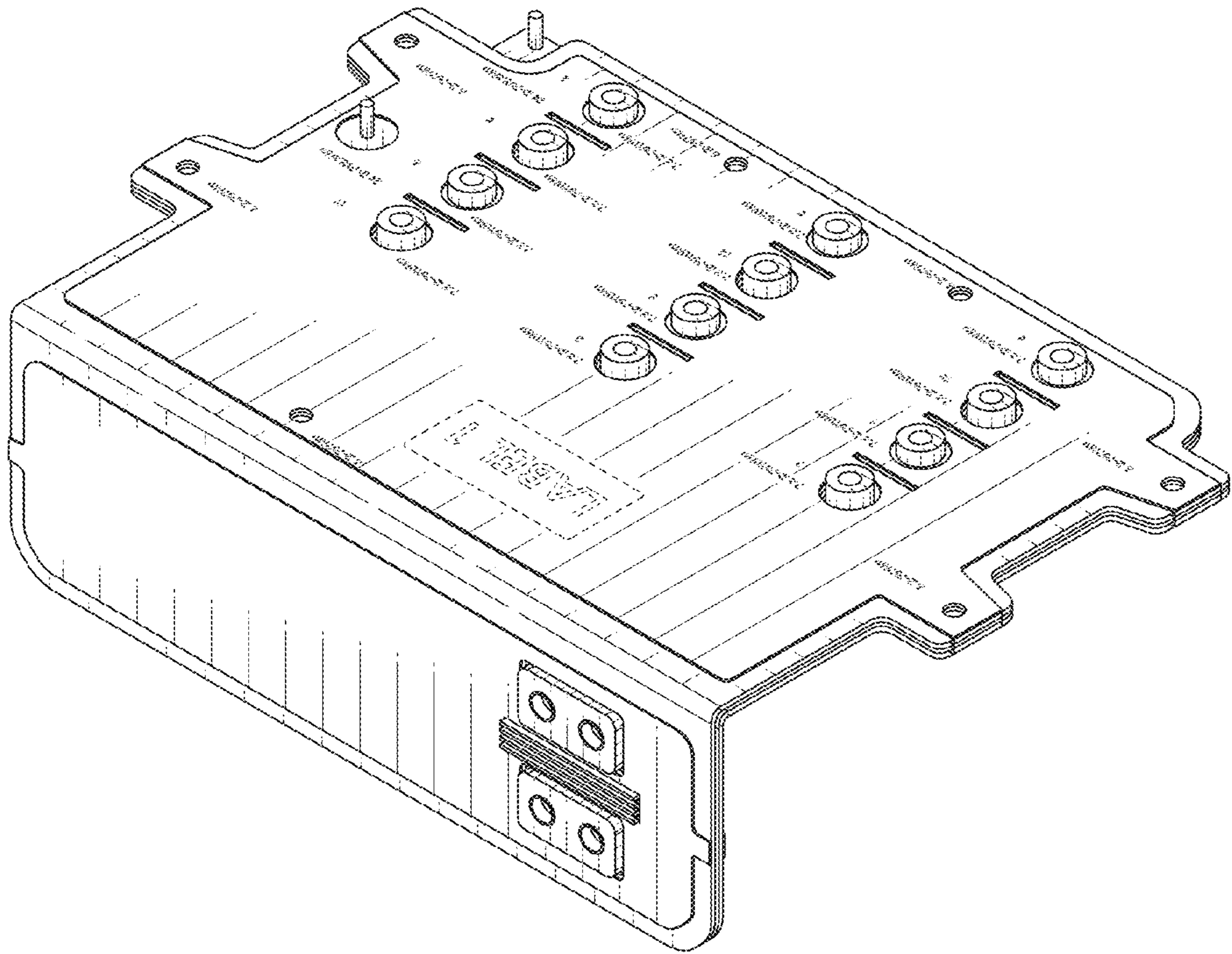


FIG. 1

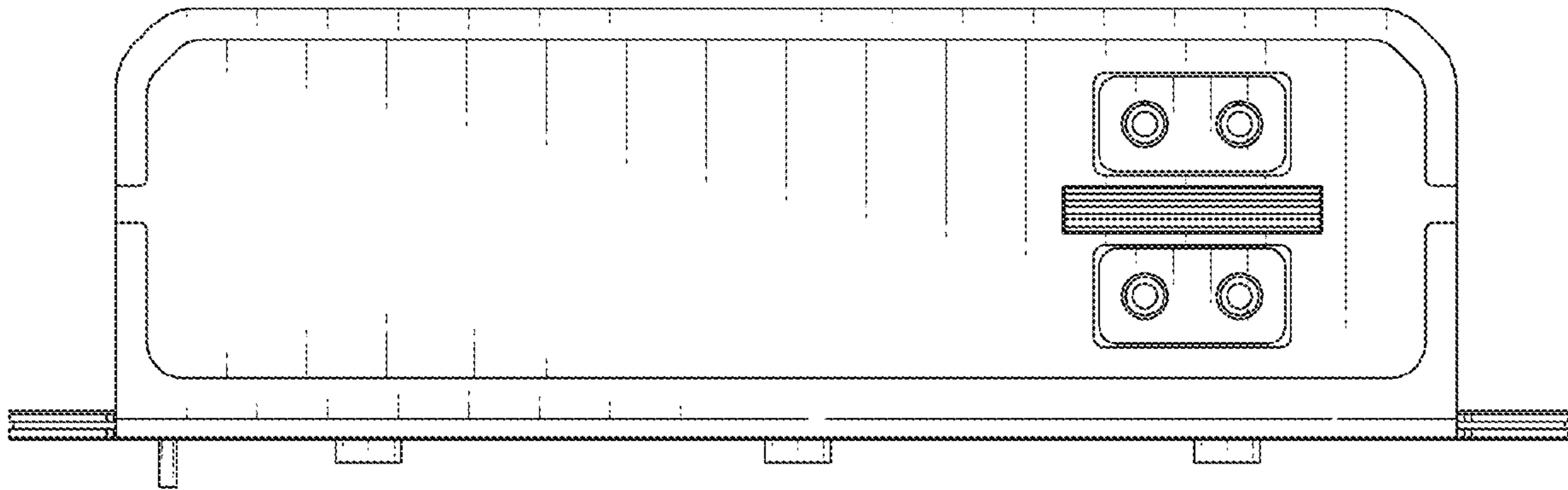


FIG. 2

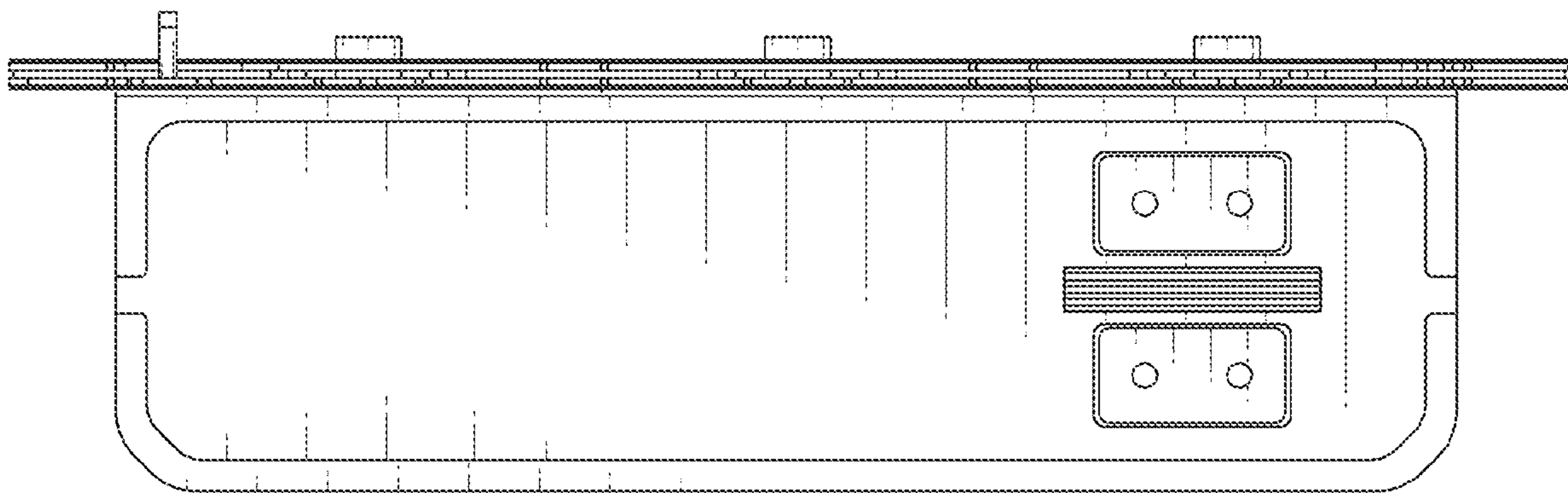


FIG. 3

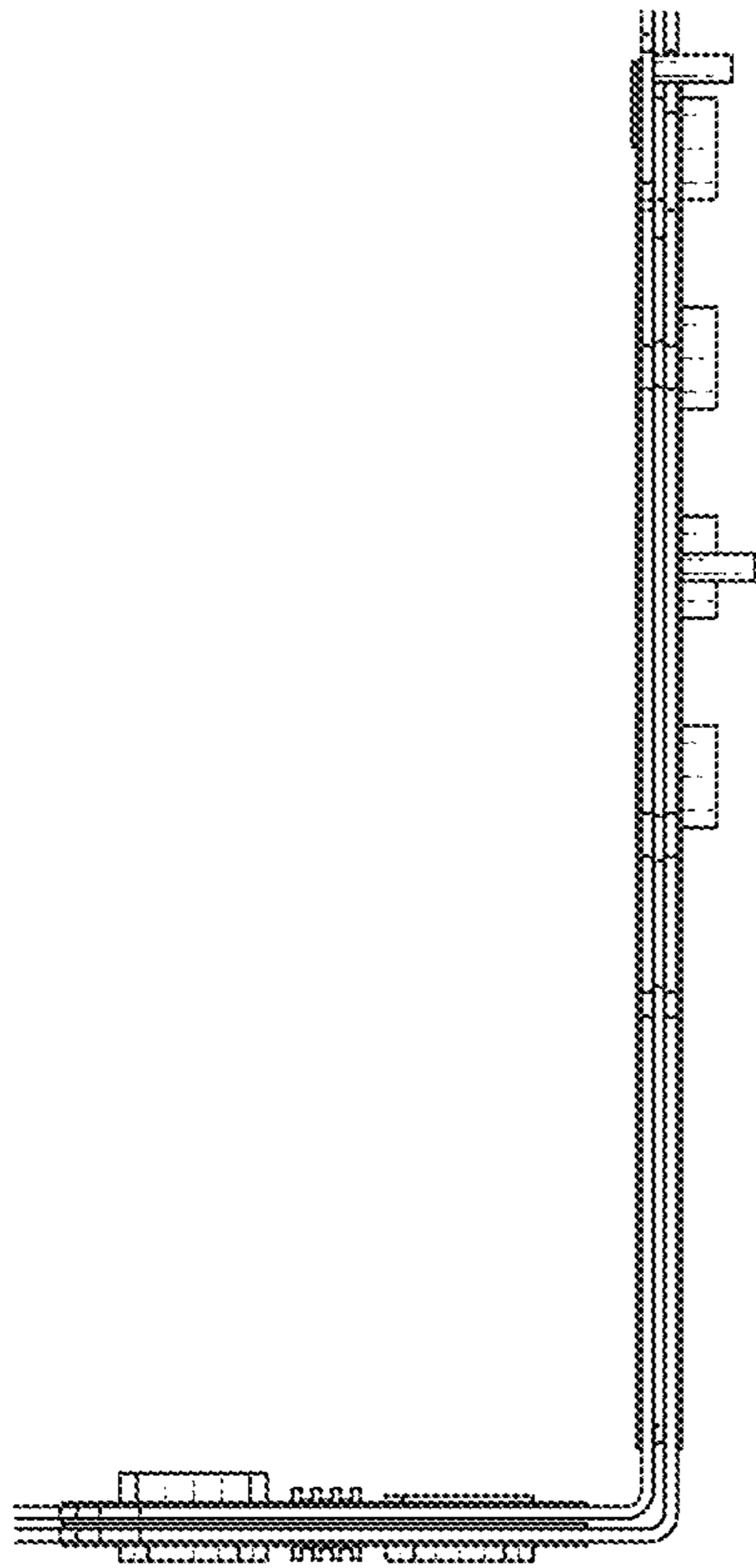


FIG. 4

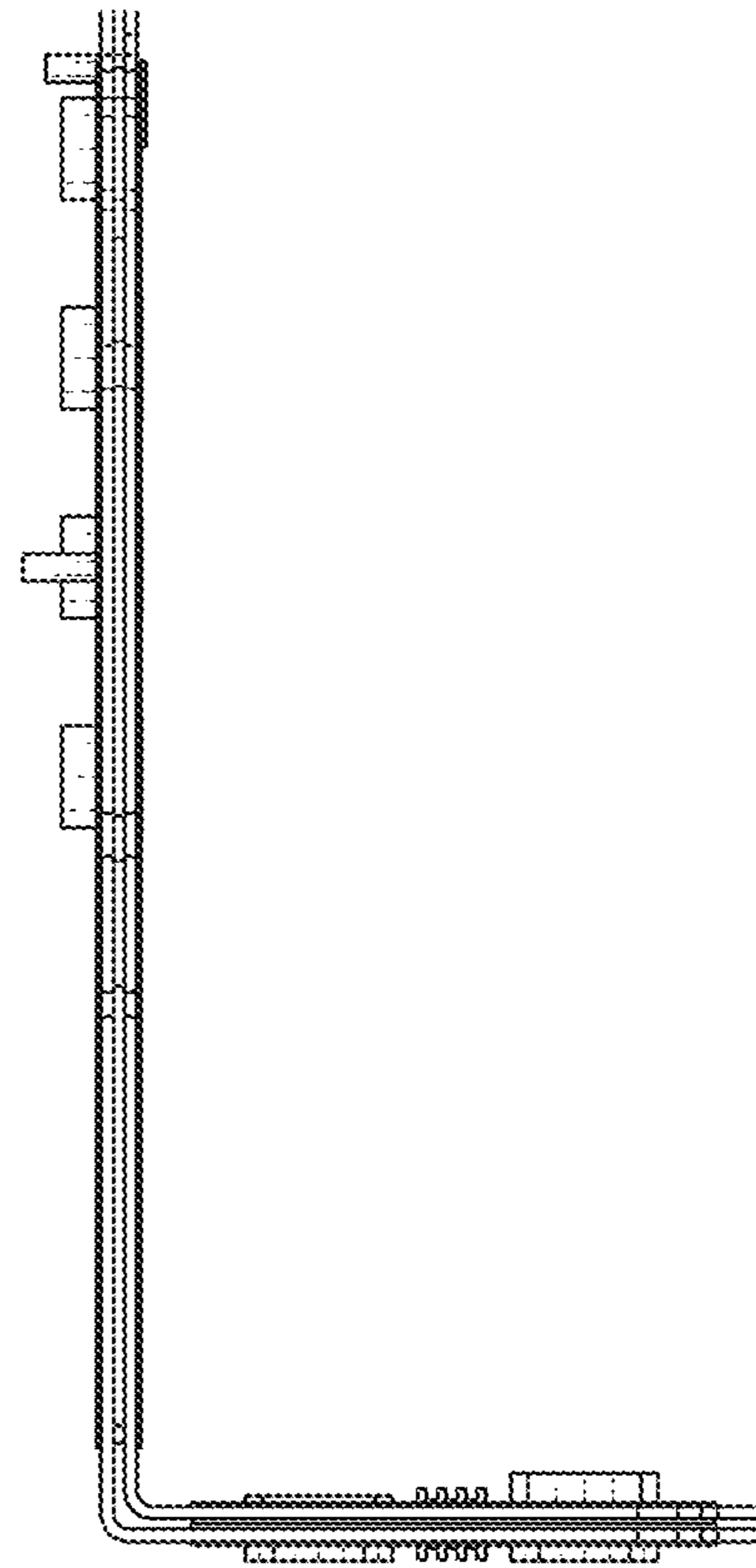


FIG. 5

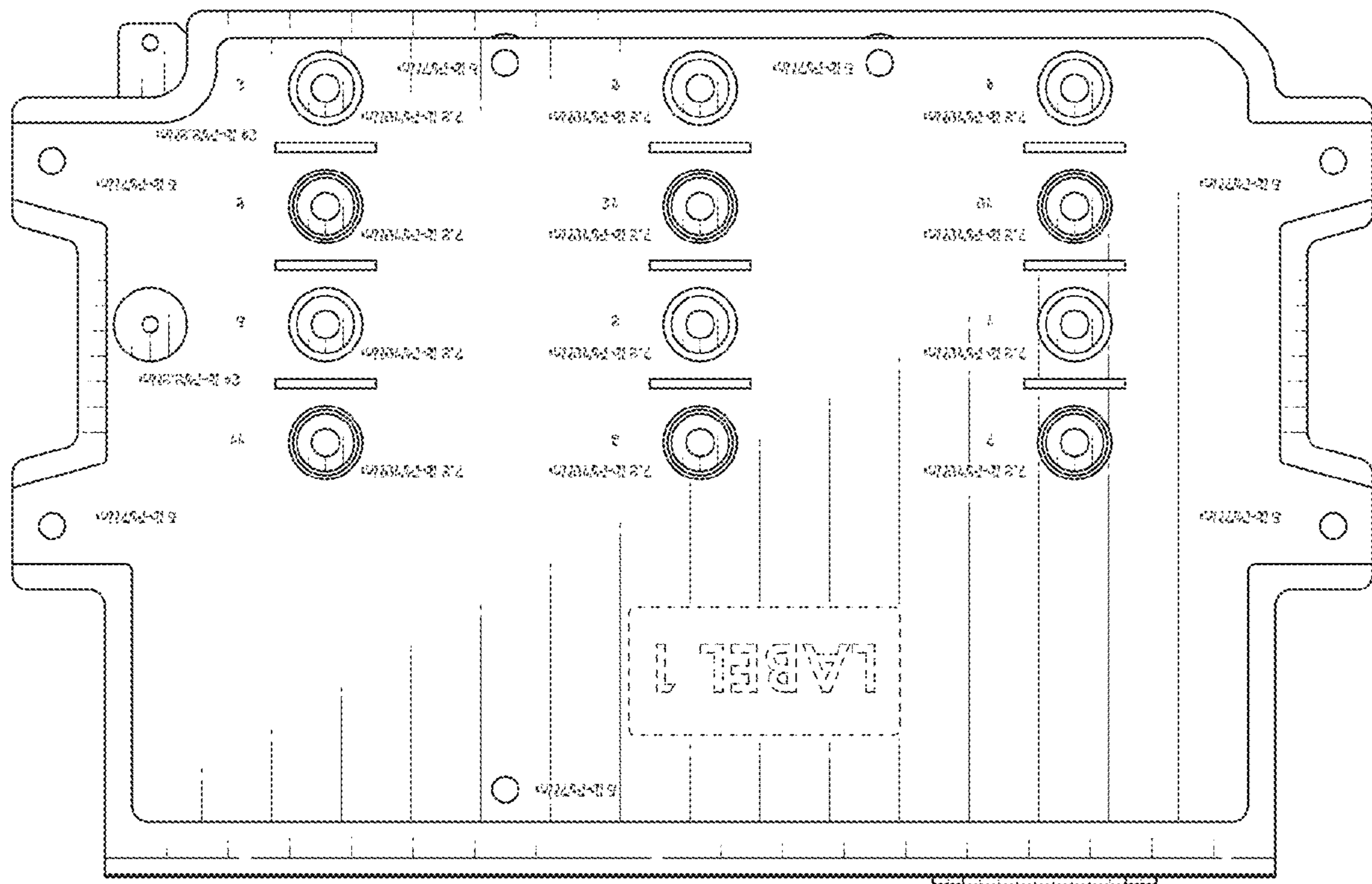


FIG. 6

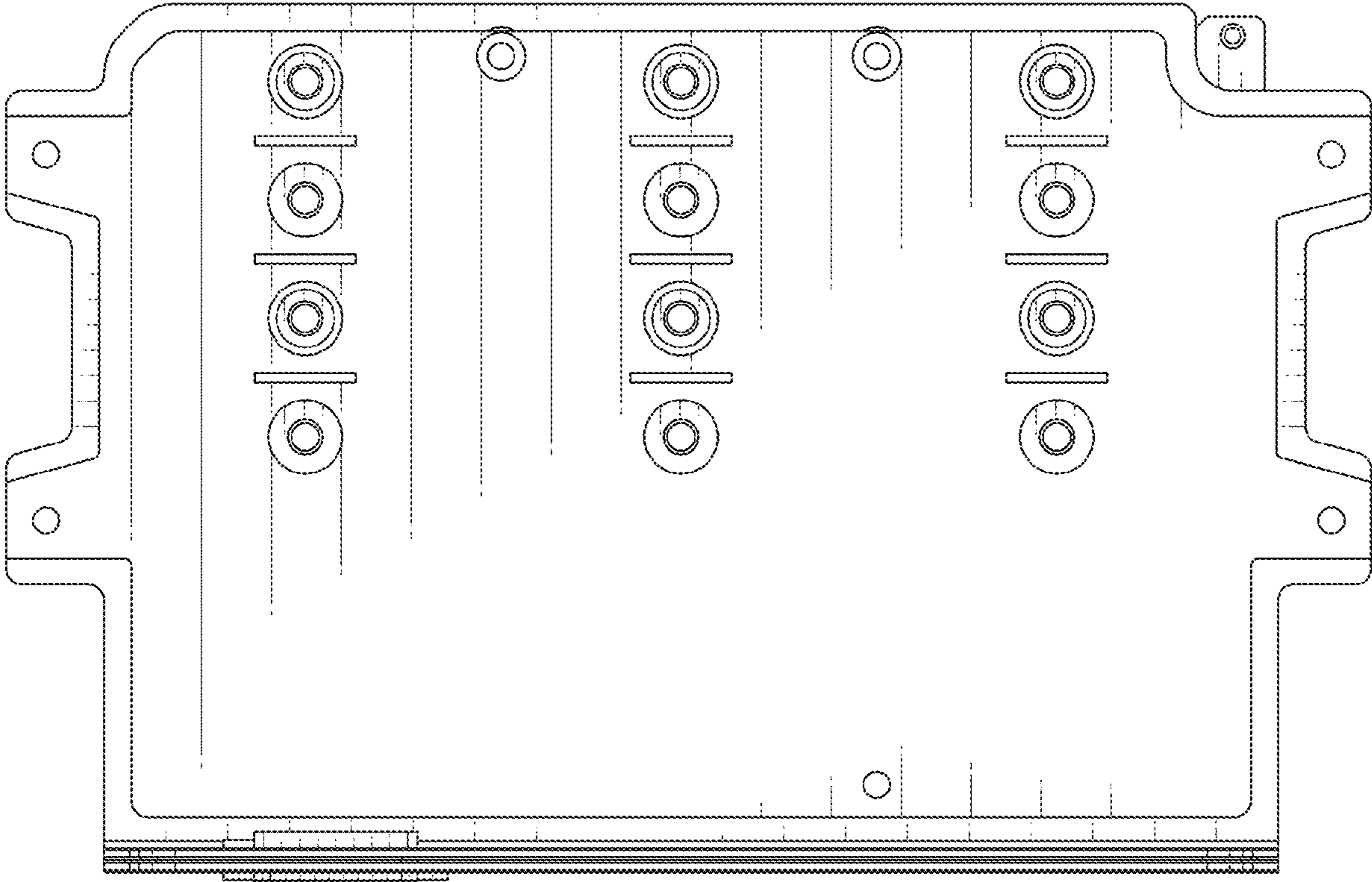


FIG. 7