



US00D953998S

(12) **United States Design Patent**  
**Lin**

(10) **Patent No.:** **US D953,998 S**  
(45) **Date of Patent:** **\*\* Jun. 7, 2022**

(54) **SOCKET**

(71) Applicant: **Dongguan Wontravel Electric Co., Ltd.**, Guangdong (CN)

(72) Inventor: **Liangguan Lin**, Guangdong (CN)

(\*\*) Term: **15 Years**

(21) Appl. No.: **29/797,289**

(22) Filed: **Jun. 30, 2021**

(51) **LOC (13) Cl.** ..... **13-03**

(52) **U.S. Cl.**  
USPC ..... **D13/139.8**

(58) **Field of Classification Search**  
USPC ..... D13/137.1, 137.2, 137.3, 137.4, 138.1, D13/138.2, 139.1, 139.2, 139.3, 139.4, D13/139.5, 139.6, 139.7, 139.8, 103, 107, D13/108, 110, 119, 123, 133, 145, 152, D13/153, 154, 156, 158, 160, 162, 177, D13/184, 199  
CPC ..... H01R 13/00; H01R 13/03; H01R 13/04; H01R 13/10; H01R 13/35; H01R 13/44; H01R 13/453; H01R 13/4534; H01R 13/502; H01R 13/514; H01R 13/631; H01R 13/639; H01R 13/6633; H01R 13/6666; H01R 13/6675; H01R 13/7135; H01R 31/02; H01R 31/06; H01R 31/065  
See application file for complete search history.

(56) **References Cited**

**U.S. PATENT DOCUMENTS**

D775,081 S \* 12/2016 Xu ..... D13/139.6  
D796,445 S \* 9/2017 Xu ..... D13/139.6  
D816,039 S \* 4/2018 Lu ..... D13/139.8  
D899,375 S \* 10/2020 Bao ..... D13/139.8

(Continued)

**FOREIGN PATENT DOCUMENTS**

GB 6140071 \* 5/2021  
KR 300896160.0000 \* 3/2017

**OTHER PUBLICATIONS**

“Power Strip , Tcstei Surge Protector with 12 Outlets and 4 USB Ports, 6 Feet Extension Cord (1875W/15A) for for Home, Office, Dorm Essentials, 2700 Joules, ETL Listed, (Black)”, first available Nov. 30, 2020. Amazon.com [https://www.amazon.com/dp/B08PC872RL] (Year: 2020).\*

(Continued)

*Primary Examiner* — Rosemary K Tarcza

*Assistant Examiner* — Seth David Kumpf

(74) *Attorney, Agent, or Firm* — Prakash Nama; Global IP Services, PLLC

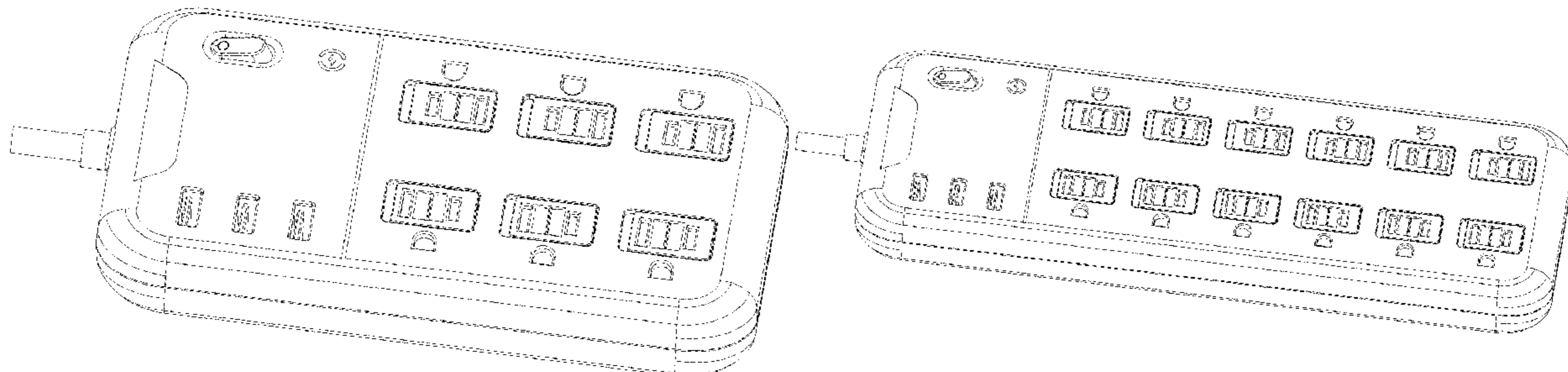
(57) **CLAIM**

The ornamental design for a socket, as shown and described.

**DESCRIPTION**

FIG. 1 is a front elevational view of a socket showing the first embodiment of my new design;  
FIG. 2 is a rear elevational view thereof;  
FIG. 3 is a left side view thereof;  
FIG. 4 is a right side view thereof;  
FIG. 5 is a top plan view thereof;  
FIG. 6 is a bottom plan view thereof;  
FIG. 7 is a perspective view thereof;  
FIG. 8 is a second perspective view thereof;  
FIG. 9 is a third perspective view thereof;  
FIG. 10 is a front elevational view of a socket showing the second embodiment of my new design;  
FIG. 11 is a rear elevational view thereof;  
FIG. 12 is a left side view thereof;  
FIG. 13 is a right side view thereof;  
FIG. 14 is a top plan view thereof;  
FIG. 15 is a bottom plan view thereof;  
FIG. 16 is a perspective view thereof;  
FIG. 17 is a second perspective view thereof; and,  
FIG. 18 is a third perspective view thereof.

**1 Claim, 18 Drawing Sheets**



(56)

**References Cited**

U.S. PATENT DOCUMENTS

D900,033	S	*	10/2020	Chen	.....	D13/137.2
D900,748	S	*	11/2020	Chen	.....	D13/137.2
D904,983	S	*	12/2020	Chen	.....	D13/139.8
D908,631	S	*	1/2021	Yu	.....	D13/137.2
D913,243	S	*	3/2021	Chan	.....	D13/137.2
D922,955	S	*	6/2021	Chen	.....	D13/139.8
D922,956	S	*	6/2021	Yan	.....	D13/139.8
D924,809	S	*	7/2021	Chen	.....	D13/139.8
D934,810	S	*	11/2021	Yan	.....	D13/139.8
D935,410	S	*	11/2021	Tao	.....	D13/137.2

OTHER PUBLICATIONS

“Power Strip , Tcstei Surge Protector with 8 Outlets and 4 USB Ports( 1 USB C Outlet), 6 Feet Extension Cord (1875W/15A), 2700 Joules, ETL Listed, Grey”, first available Aug. 31, 2021. Amazon.com [https://www.amazon.com/dp/B09F2XVZHK] (Year: 2021).\*

“Power Strip, Alestor Surge Protector with 12 Outlets and 4 USB Ports, 6 Feet Extension Cord (1875W/15A), 2700 Joules, ETL

Listed, Black”, first available Nov. 26, 2020. Amazon.com [https://www.amazon.com/dp/B08P5LRY37] (Year: 2020).\*

“Power Strip, QINLIANF Surge Protector with 8 Outlets and 4 USB Ports, 6 Feet Extension Cord , 2100 Joules, ETL Listed, White”, first available Aug. 17, 2021. Amazon.com [https://www.amazon.com/dp/B09CT9JPCF] (Year: 2021).\*

“Power Strip, Surge Protector Flat Plug, 12 Outlets & 3 USB Charging Ports, 1875W/15A 1700J, 6ft Extension Cord, Overload Protection, Wall Mountable for Home Office Computer TV (White)”, first available Jul. 29, 2021. Amazon.com [https://www.amazon.com/dp/B099X1DXDL] (Year: 2021).\*

“Power Strip with 8 Ft, POWSAV Surge Protector with 18 Outlets and 4 USB Ports(1 USB C Outlet), 8 Feet Extension Cord (1875W/15A), 2100 Joules, ETL Listed, Black”, first available Jul. 16, 2021. Amazon.com [https://www.amazon.com/dp/B099NB3TTY] (Year: 2021).\*

“Surge Protector Power Strip , Nuetsa Extension Cord with 8 Outlets and 4 USB Ports, 6 Feet Power Cord (1625W/13A) , 2700 Joules, ETL Listed, Black”, first available Aug. 31, 2021. Amazon.com [https://www.amazon.com/dp/B09F2XPJ47] (Year: 2021).\*

\* cited by examiner

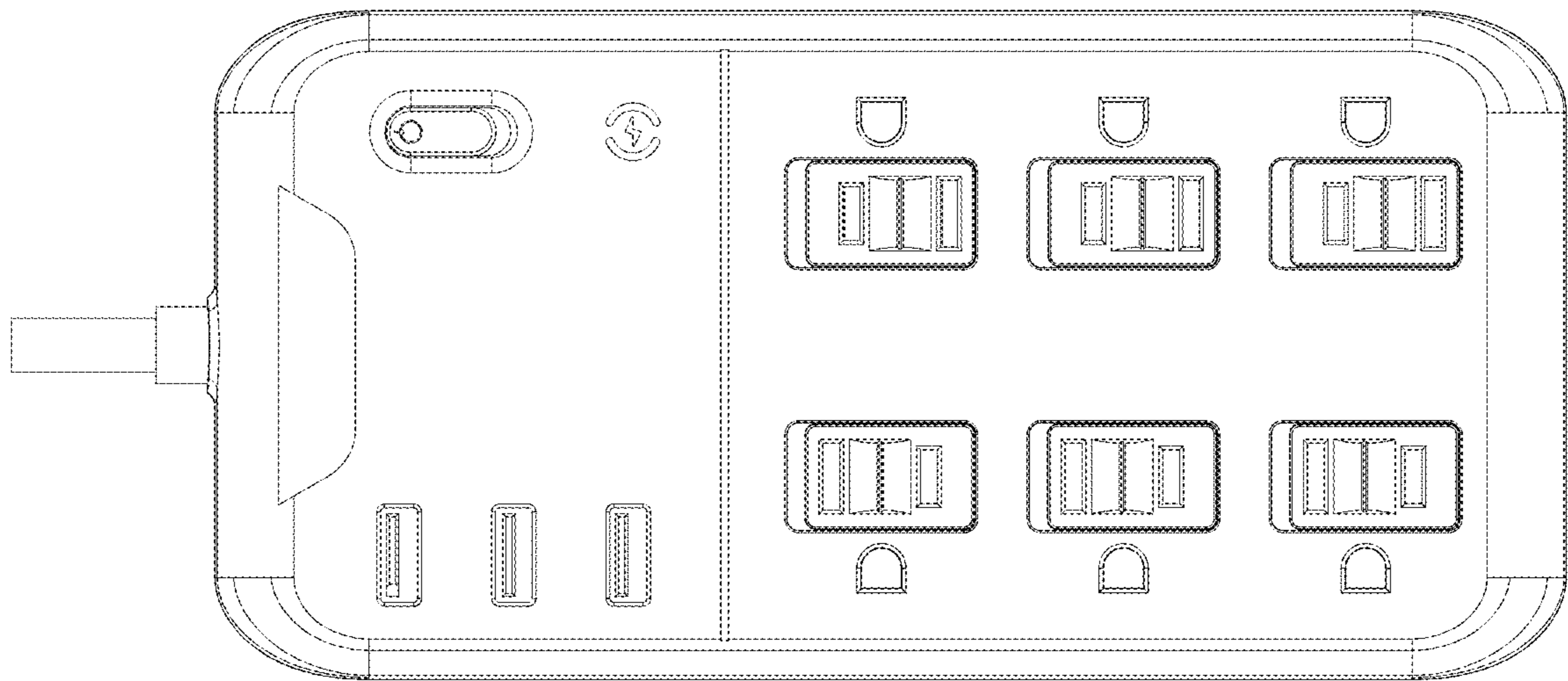


FIG. 1

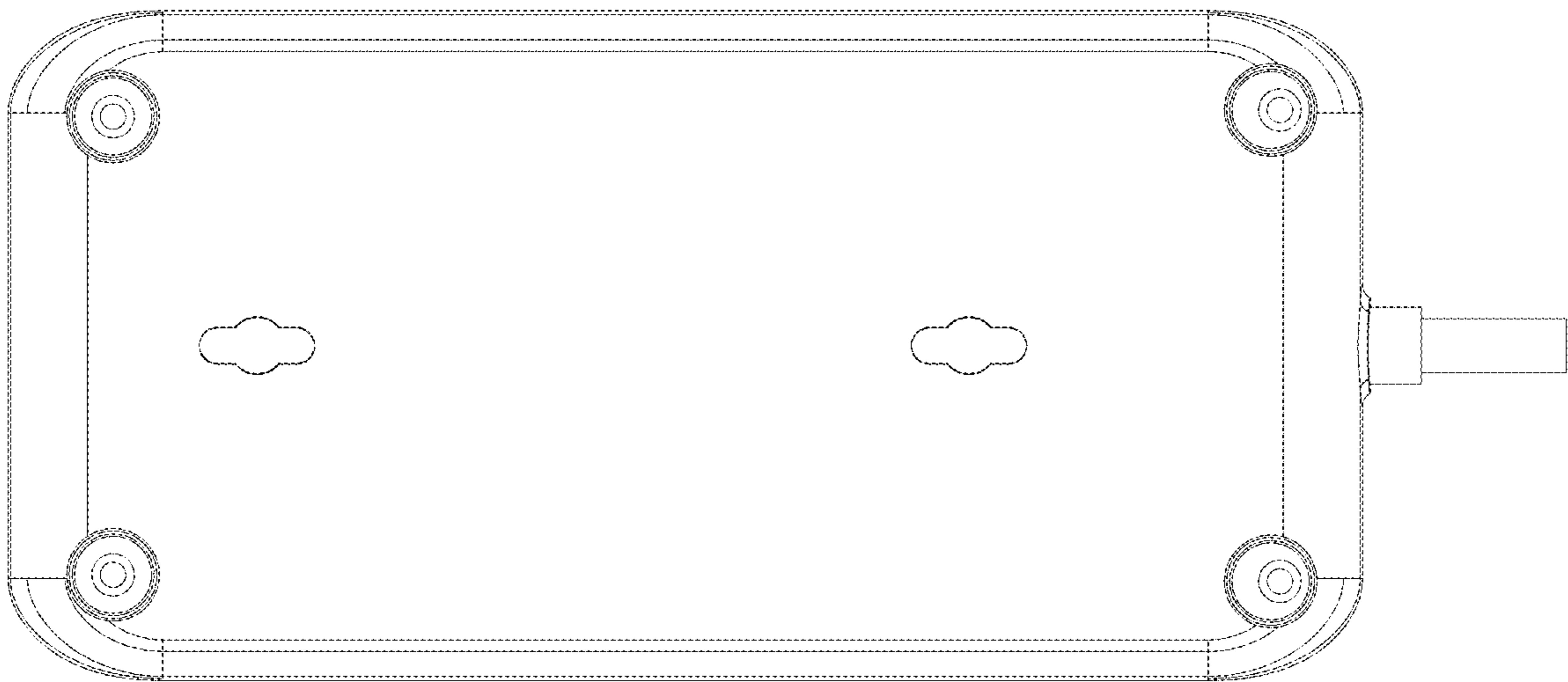


FIG. 2

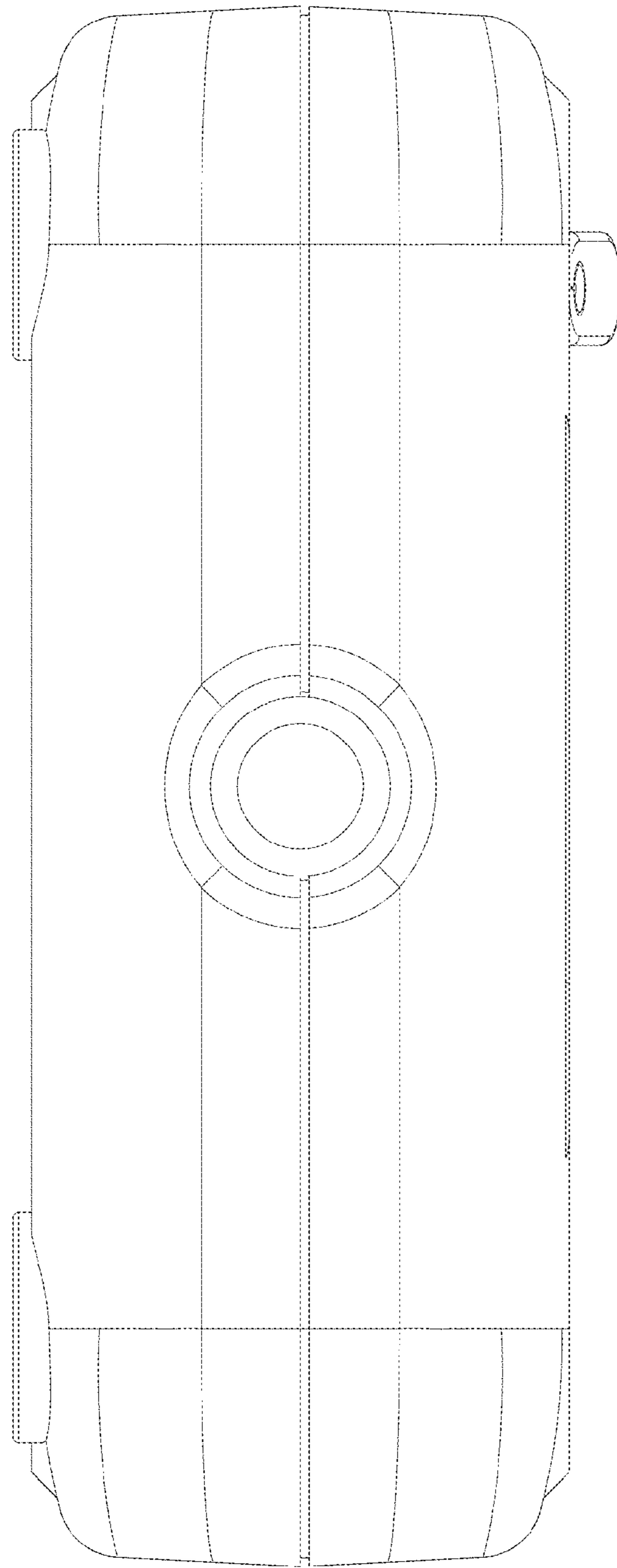


FIG. 3

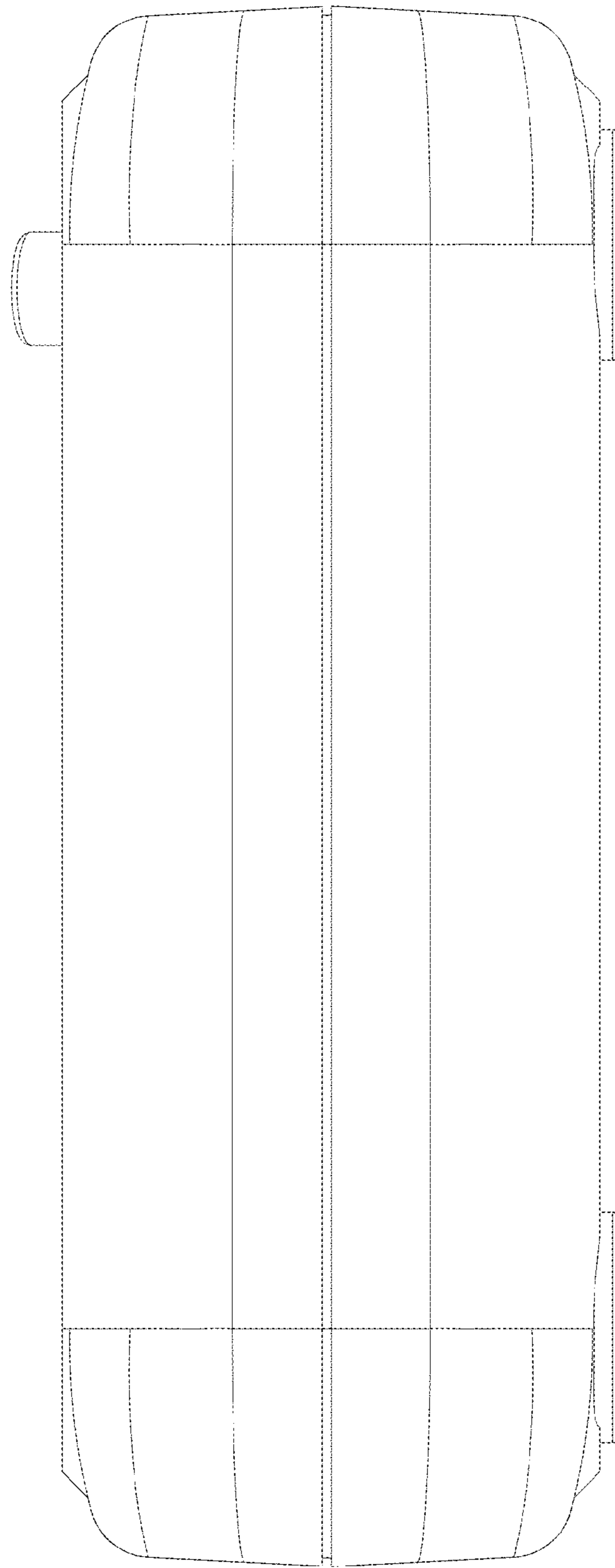


FIG. 4

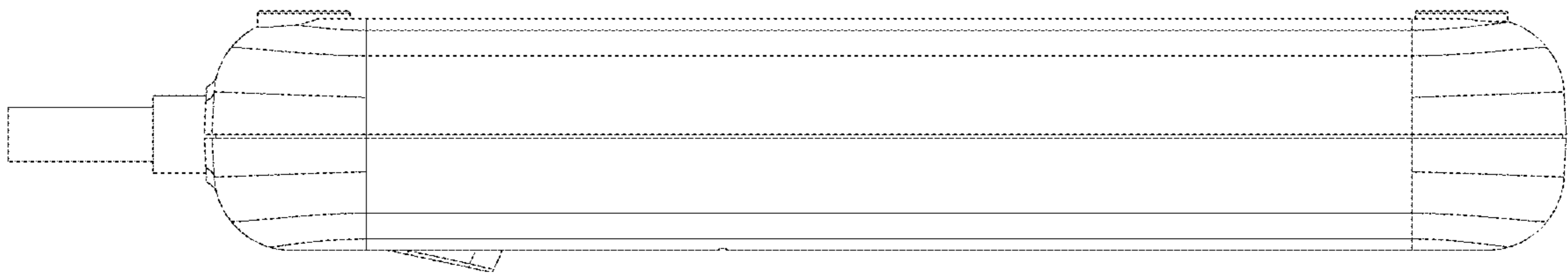


FIG. 5

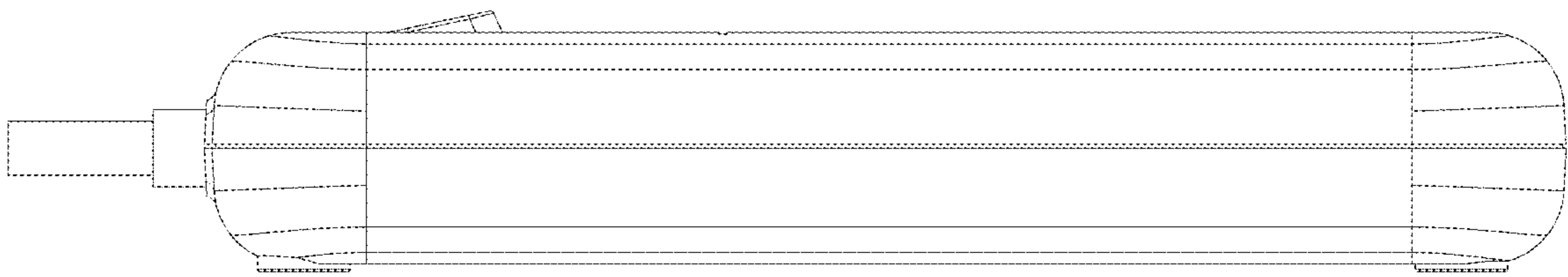


FIG. 6



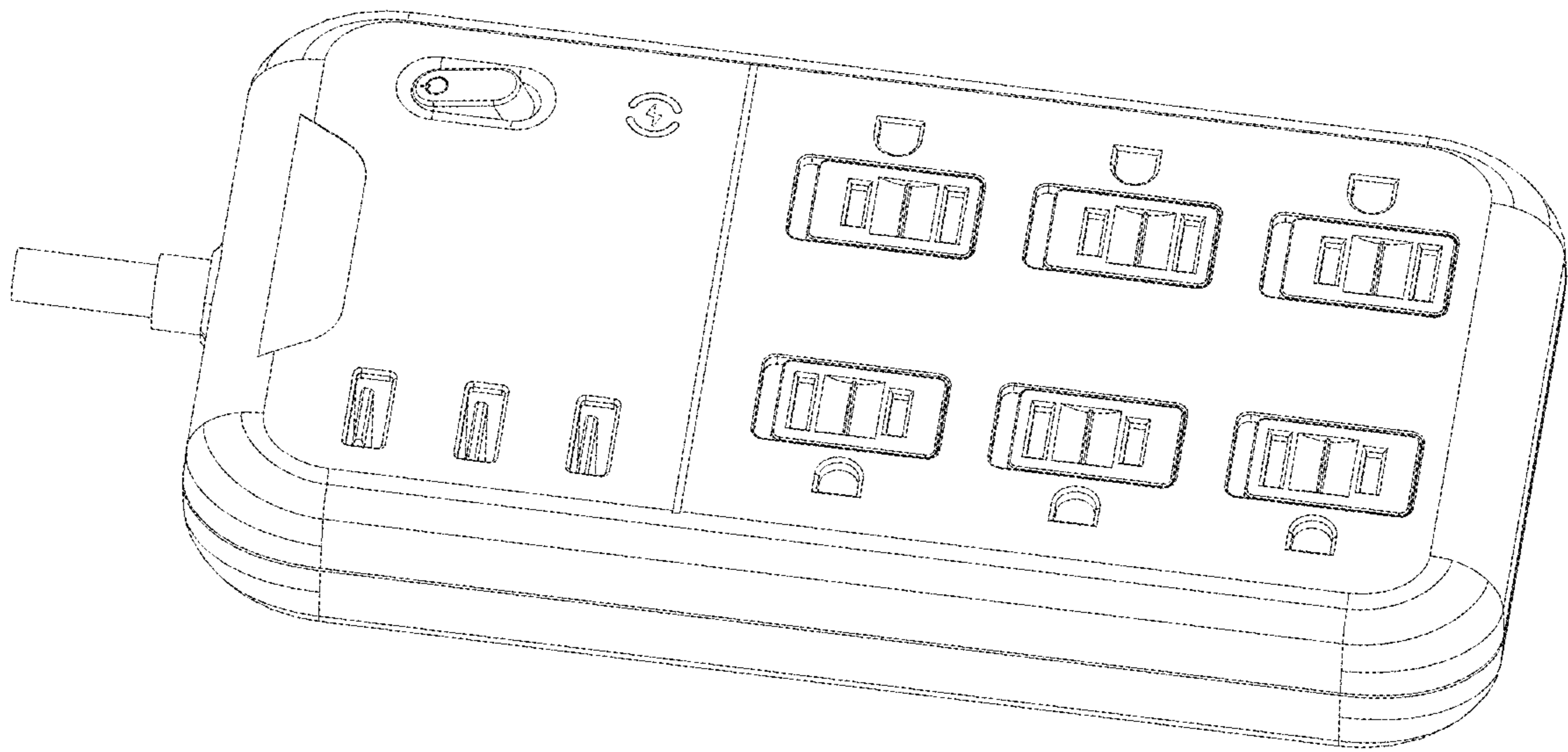


FIG. 7

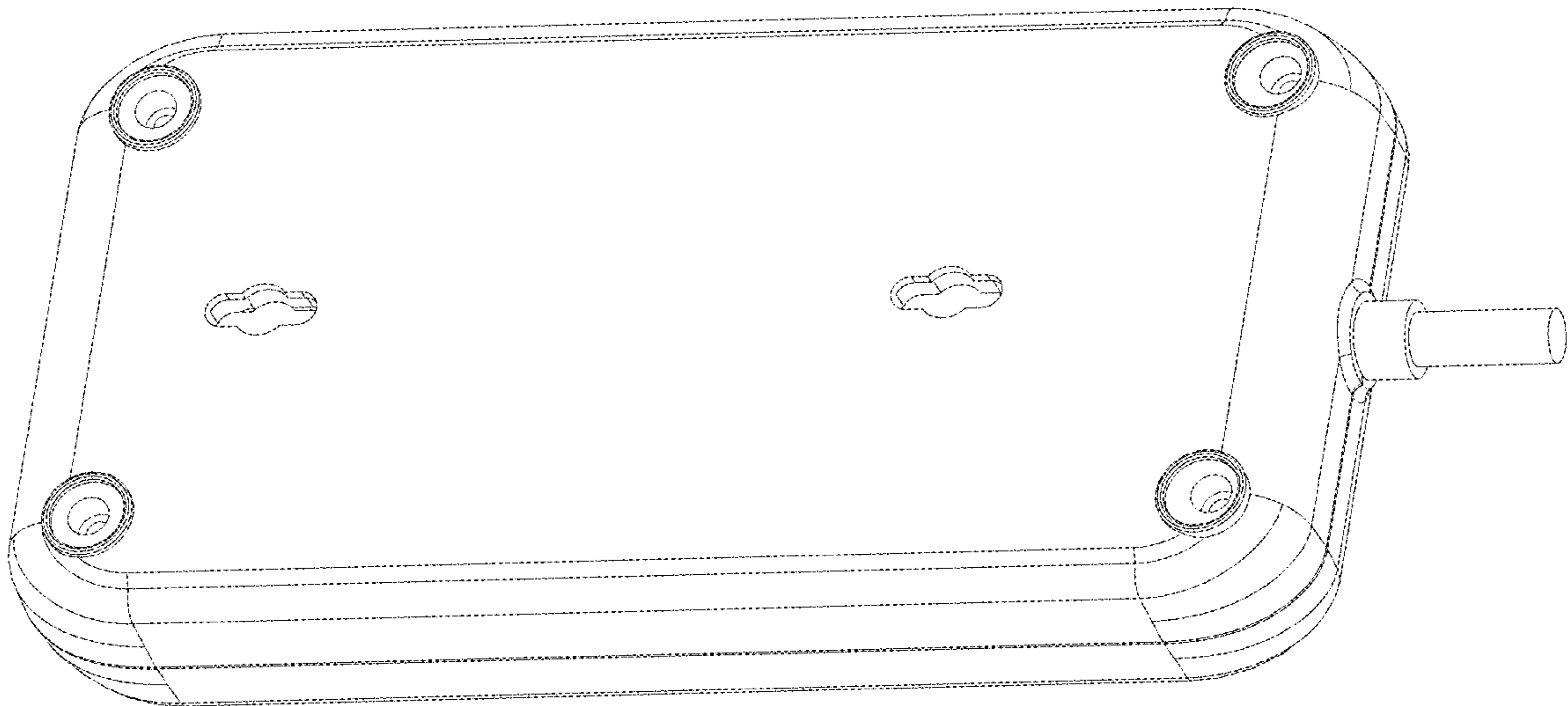


FIG. 8

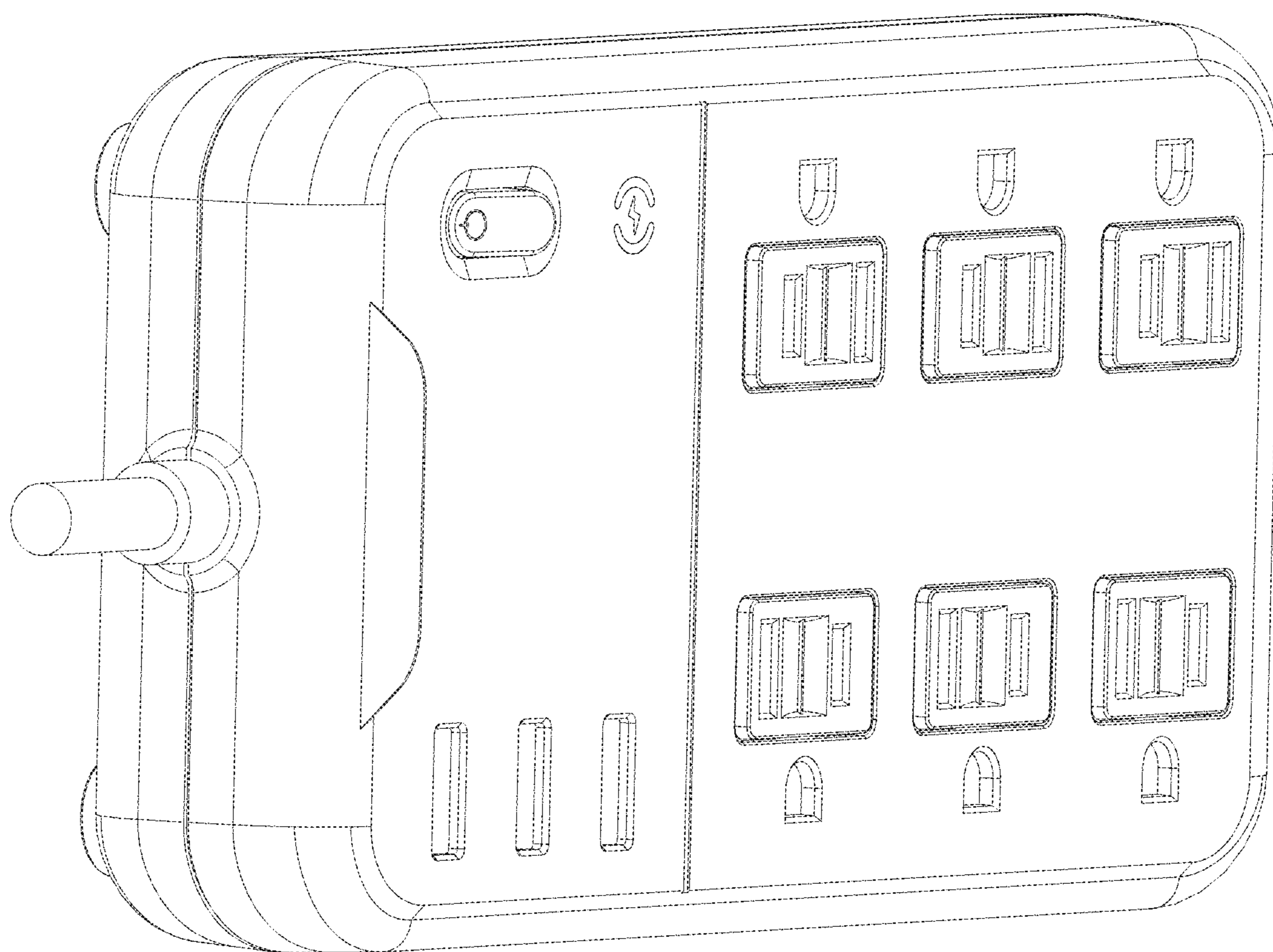


FIG. 9

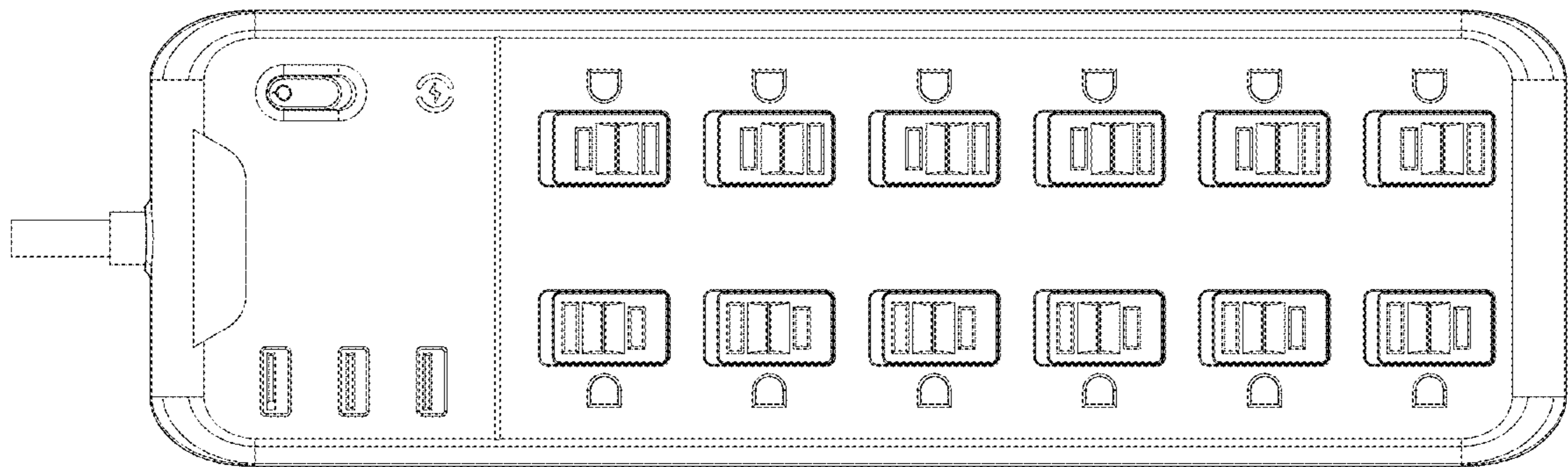


FIG. 10

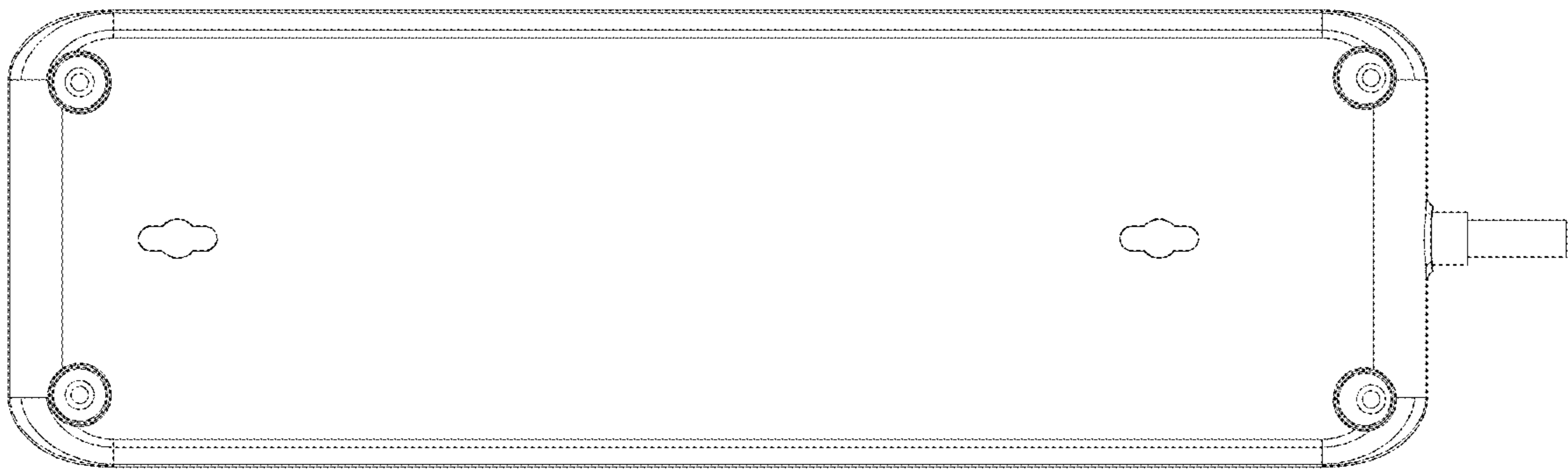


FIG. 11

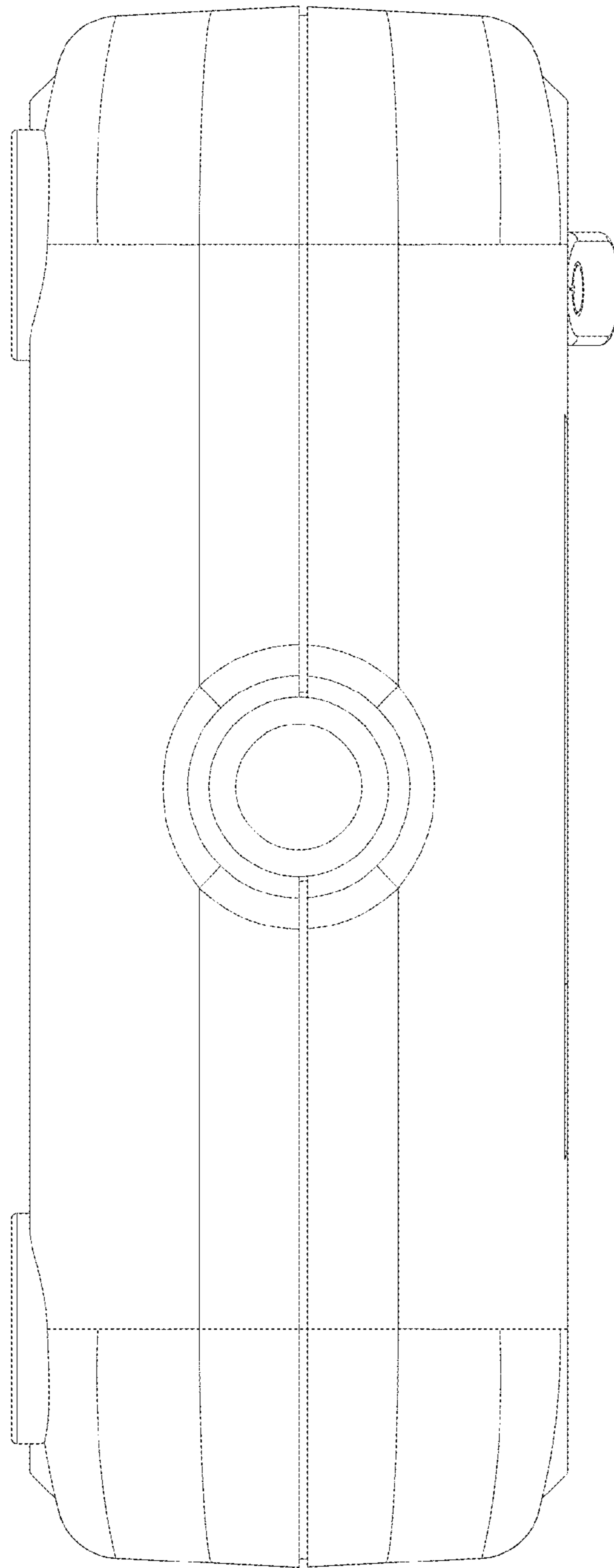


FIG. 12

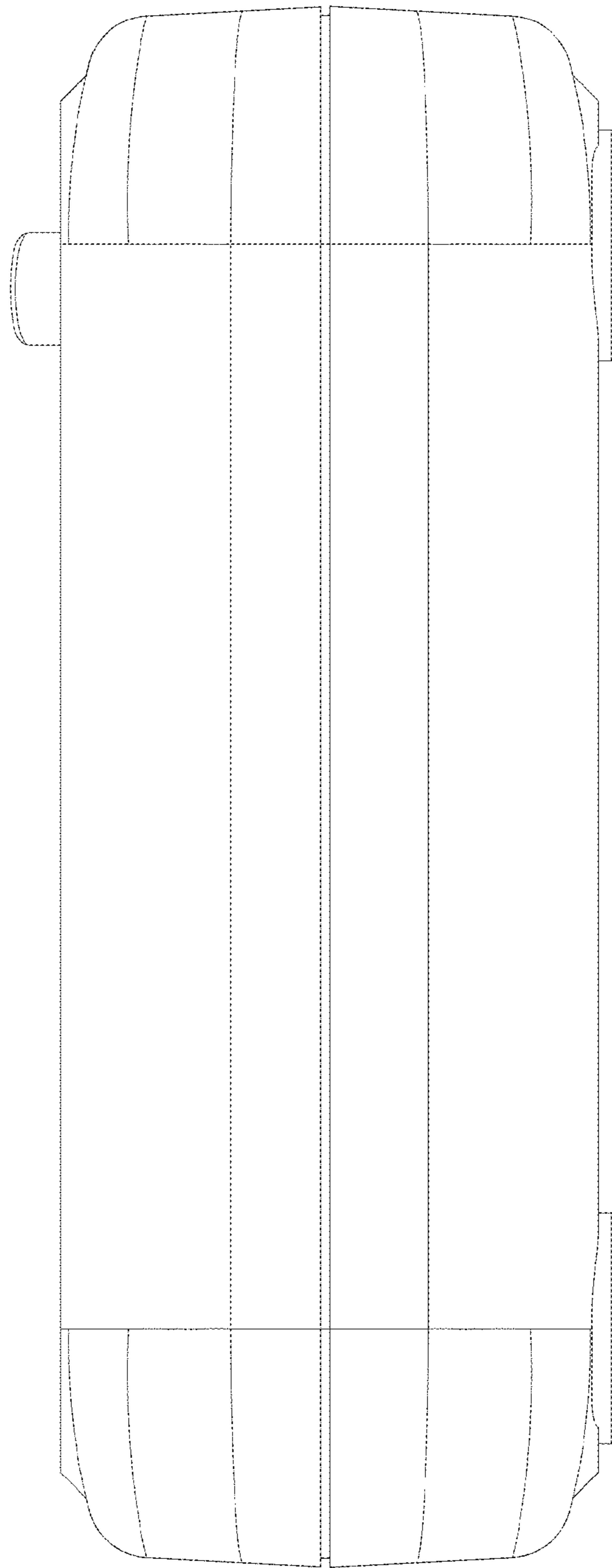


FIG. 13

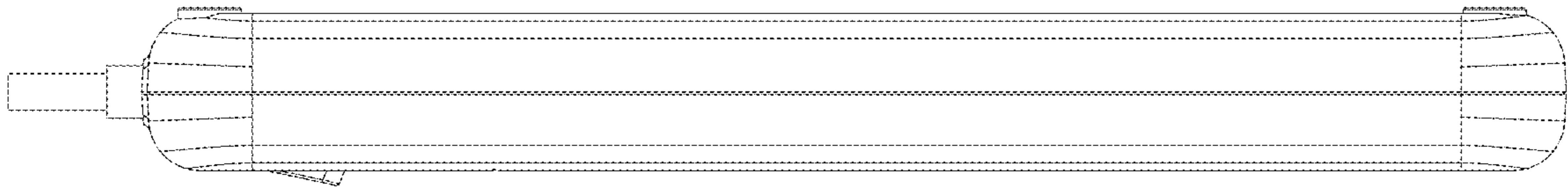


FIG. 14



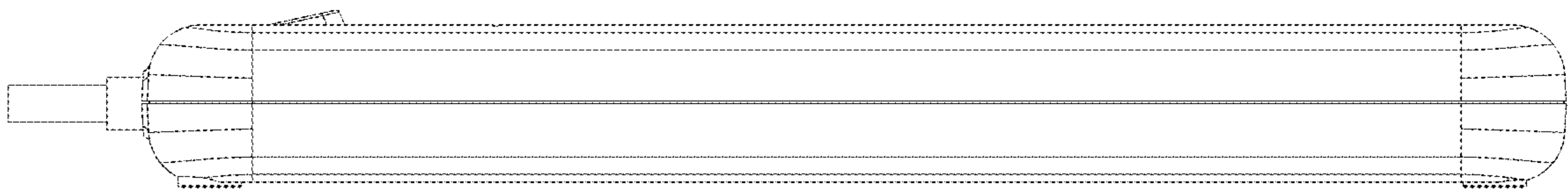


FIG. 15

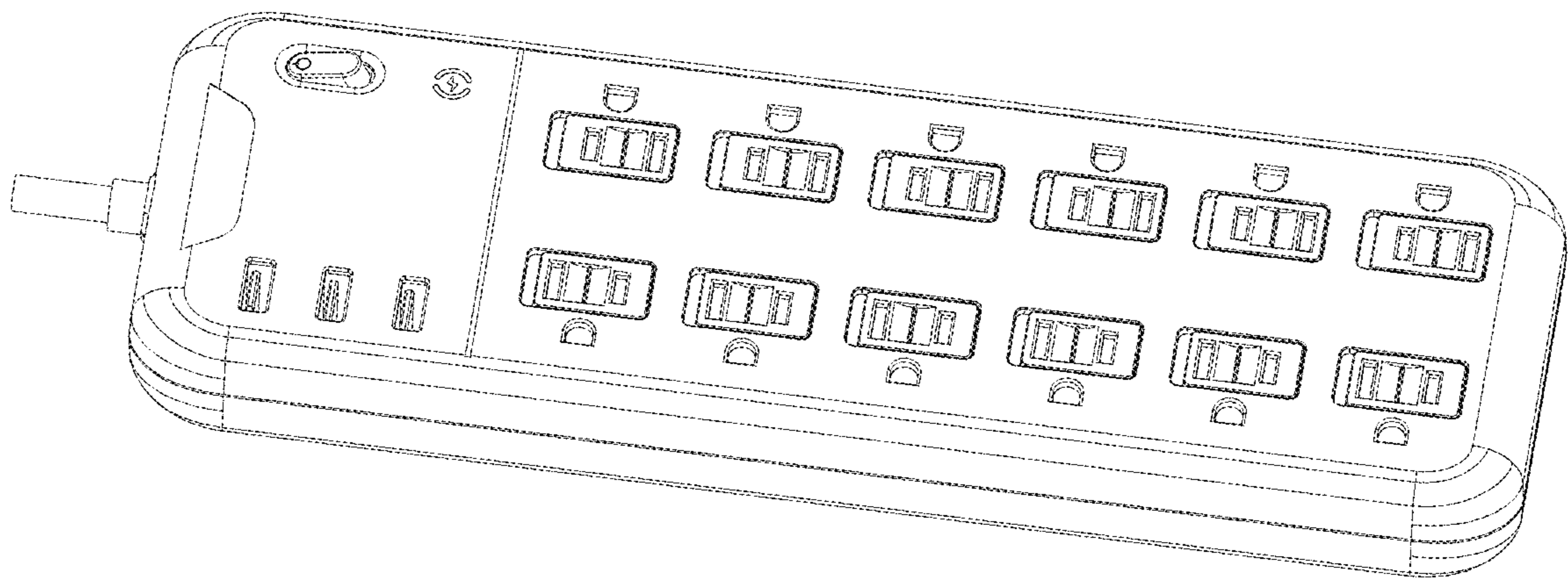


FIG. 16

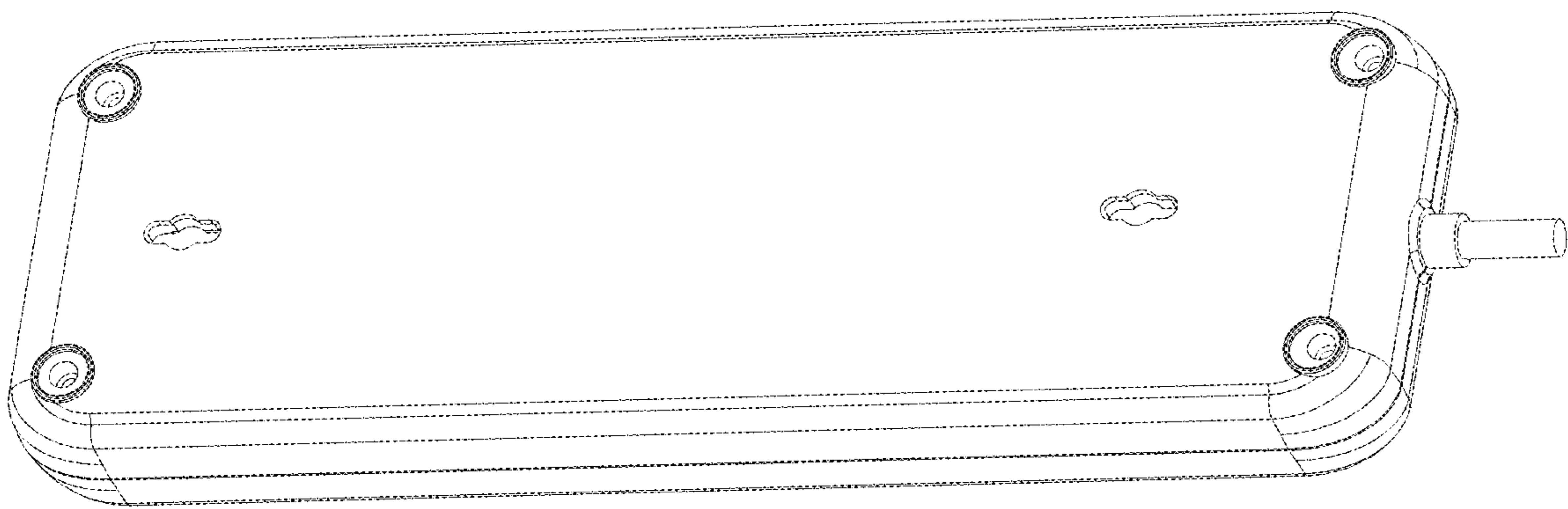


FIG. 17

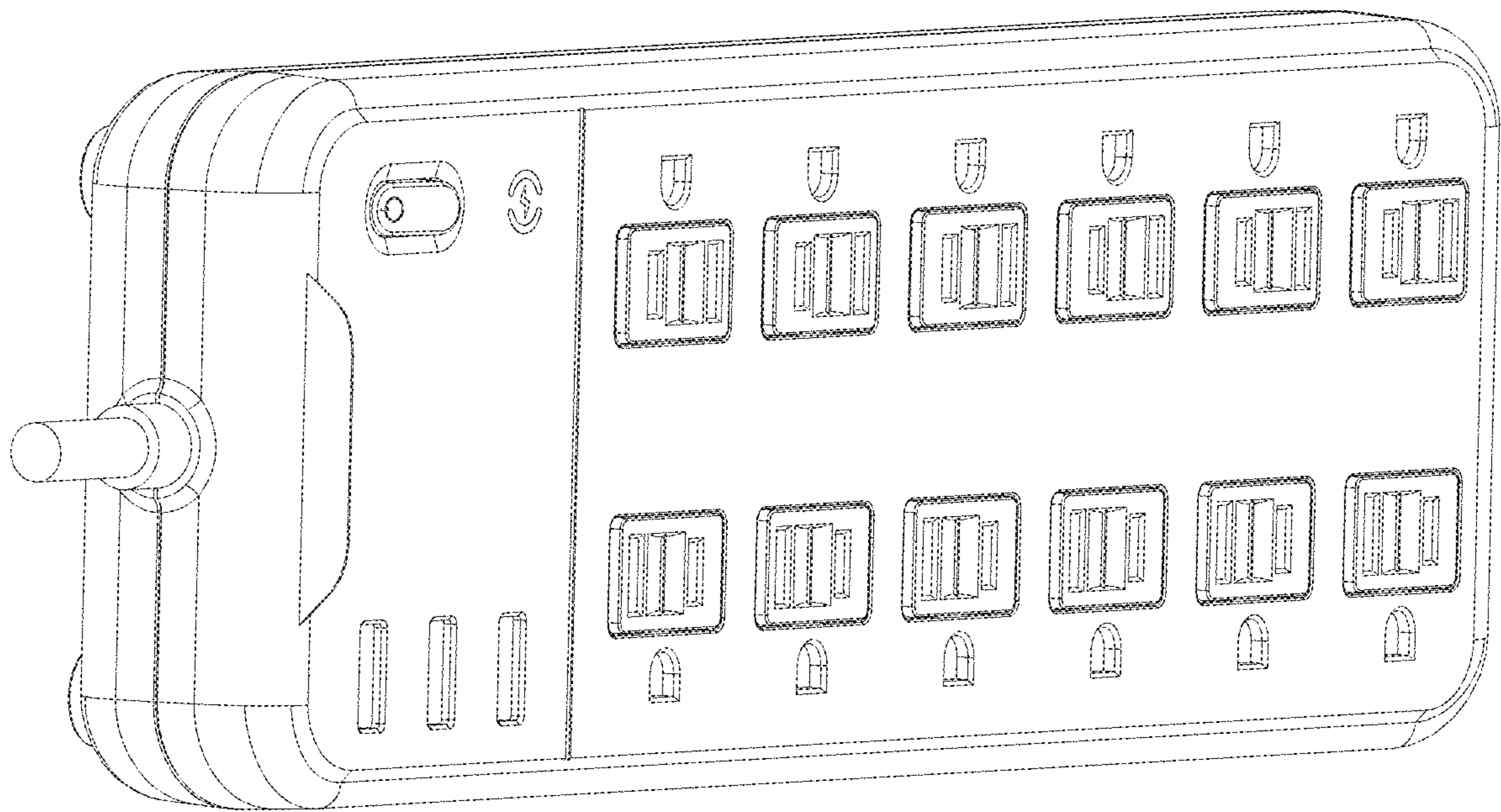


FIG. 18