



US00D953997S

(12) **United States Design Patent** (10) **Patent No.:** **US D953,997 S**  
**Su** (45) **Date of Patent:** **\*\* Jun. 7, 2022**

(54) **POWER SOCKET**

(71) Applicant: **Tsang Chi Su**, Taichung (TW)

(72) Inventor: **Tsang Chi Su**, Taichung (TW)

(\*\*) Term: **15 Years**

(21) Appl. No.: **29/696,323**

(22) Filed: **Jun. 26, 2019**

(51) **LOC (13) Cl.** ..... **13-03**

(52) **U.S. Cl.**  
USPC ..... **D13/139.1**

(58) **Field of Classification Search**  
USPC ..... D13/137.1–137.4, 138.1, 138.2,  
D13/139.1–139.8; D25/119, 121, 122;  
D8/310, 311; D3/203.1, 203.2, 203.3,  
D3/203.6; D10/30, 31, 38, 39, 40, 41  
CPC ..... H01R 24/20; H01R 24/22; H01R 24/28;  
H01R 24/30; H01R 24/76; H01R 24/78;  
H01R 25/00; H01R 25/003; H01R  
25/006; H01R 13/639; H01R 13/6392;  
H01R 13/64; H01R 13/648; H01R  
13/652; H01R 13/66; H01R 13/6666;  
H01R 13/6683; H01R 13/68; H01R  
13/713

See application file for complete search history.

(56) **References Cited**

**U.S. PATENT DOCUMENTS**

- 2,319,801 A \* 5/1943 Despard ..... H01R 25/006  
439/513
- D204,457 S \* 4/1966 Hawkins ..... D13/139.3
- 4,775,332 A \* 10/1988 Bowden, Jr ..... H01R 13/11  
439/650
- 5,269,697 A \* 12/1993 Essex ..... H01R 13/443  
439/135
- D354,943 S \* 1/1995 Williams ..... D13/137.1
- 5,915,981 A \* 6/1999 Mehta ..... H01R 13/4534  
439/137
- 6,066,805 A \* 5/2000 Bordwell ..... H02G 3/14  
174/55

- D574,260 S \* 8/2008 Grotell ..... D10/30
- D663,691 S \* 7/2012 Magee, Jr. .... D13/139.8
- D689,689 S \* 9/2013 Magno ..... D3/203.2
- D696,198 S \* 12/2013 Roy ..... D13/139.1
- D720,525 S \* 1/2015 Magno ..... D3/203.2
- 9,478,920 B1 \* 10/2016 Pregeant ..... H01R 24/78
- D805,481 S \* 12/2017 Zhuang ..... D13/139.3
- D826,161 S \* 8/2018 Zhuang ..... D13/139.3
- D839,199 S \* 1/2019 Arora ..... D13/139.3
- 2006/0172583 A1 \* 8/2006 Duhe ..... H01R 13/453  
439/359

(Continued)

**FOREIGN PATENT DOCUMENTS**

CN 304344851 \* 11/2017

*Primary Examiner* — Lilyana Bekic

*Assistant Examiner* — Lee D. Starr

(74) *Attorney, Agent, or Firm* — Guice Patents PLLC

(57) **CLAIM**

The ornamental design for a power socket, as shown and described.

**DESCRIPTION**

FIG. 1 is a perspective view of a power socket showing my new design;

FIG. 2 is a front elevational view thereof;

FIG. 3 is a rear elevational view thereof;

FIG. 4 is a left side elevational view thereof;

FIG. 5 is a right side elevational view thereof;

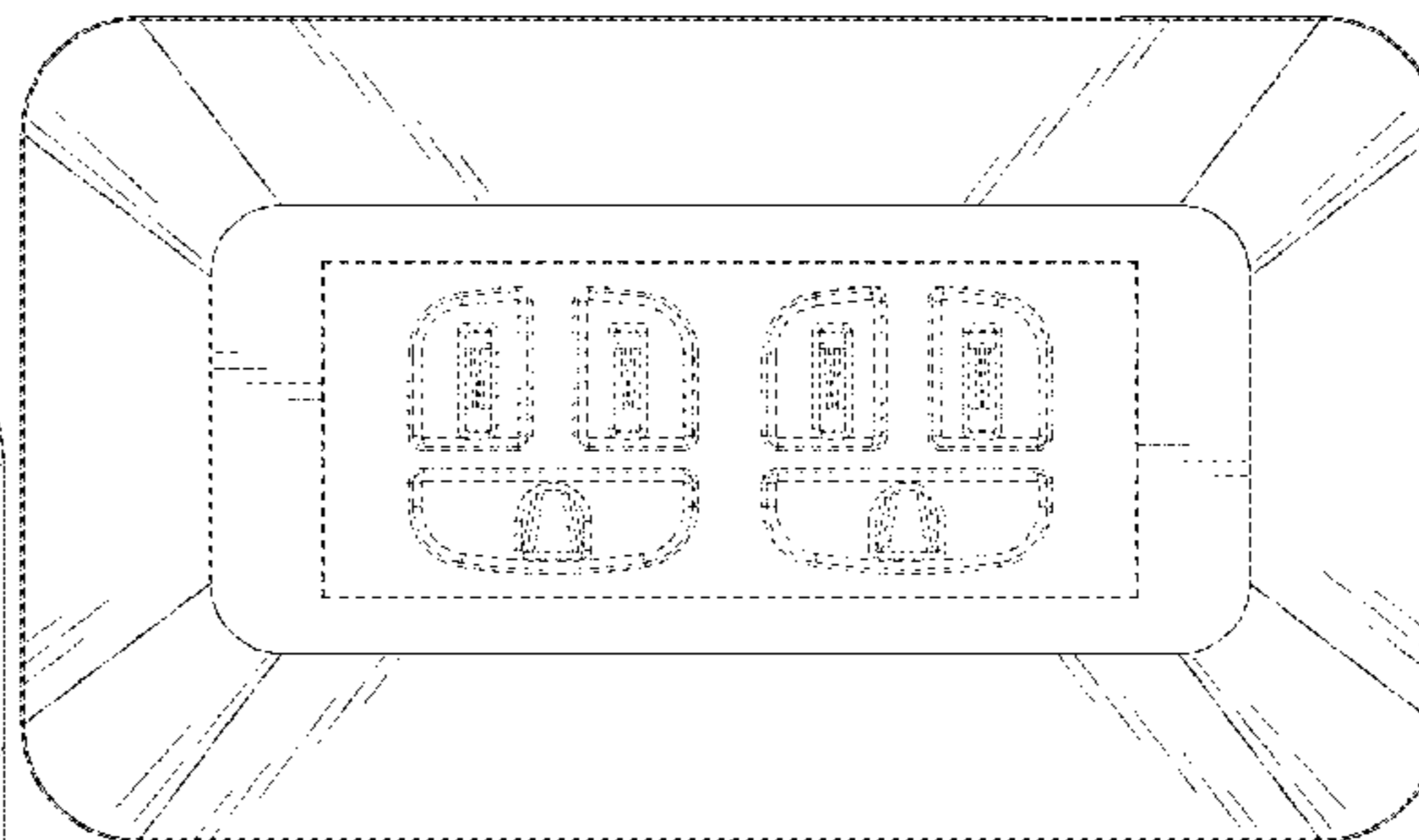
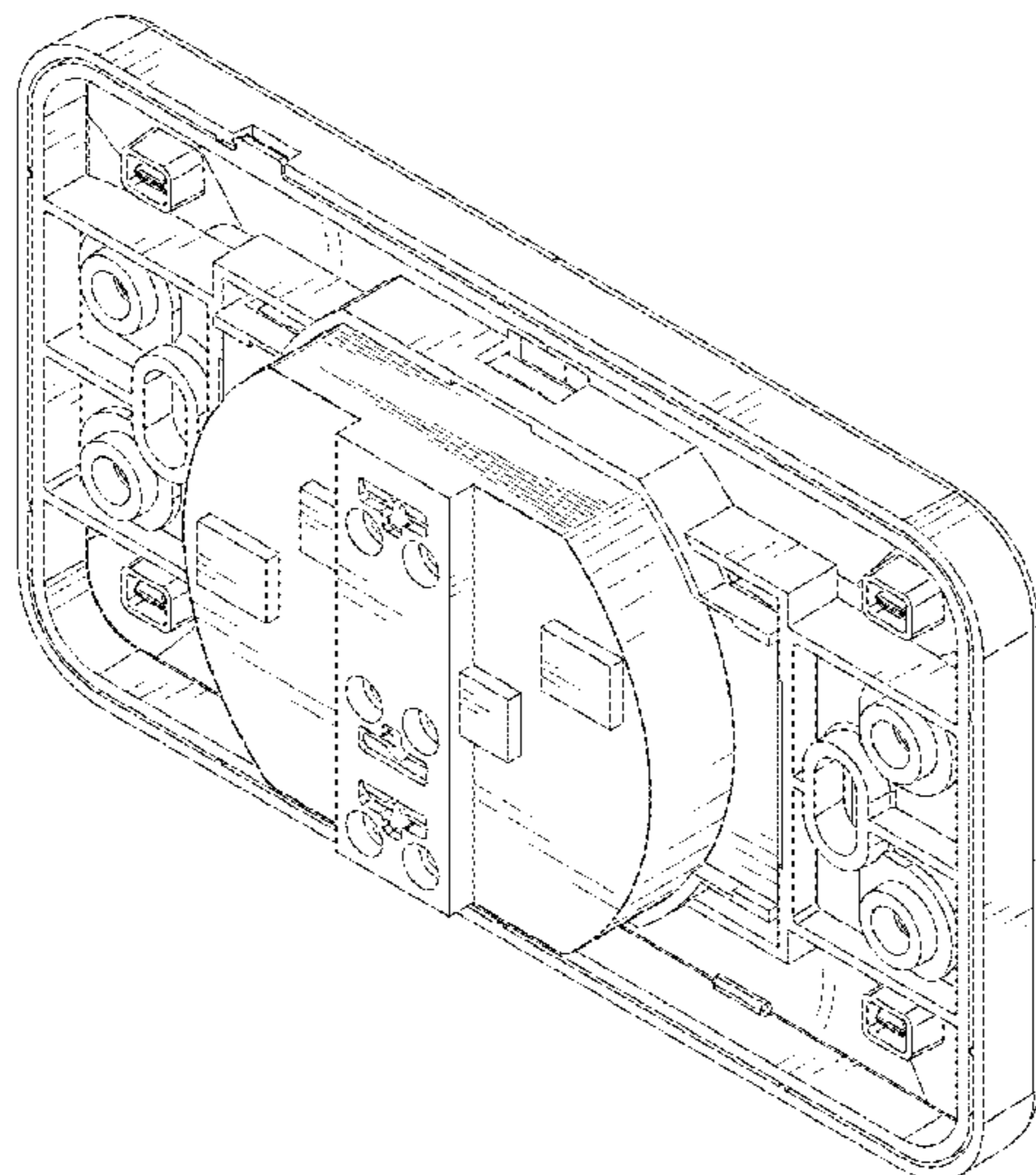
FIG. 6 is a top plan view thereof;

FIG. 7 is a bottom plan view thereof; and,

FIG. 8 is a perspective view thereof, showing the power socket in an environment of use.

The broken line showing portions of the wall and the round opening in FIG. 8 depicts environmental structure and forms no part of the claimed design. All other broken lines in the drawings depict portions of the power socket that form no part of the claimed design.

**1 Claim, 5 Drawing Sheets**



(56)

**References Cited**

U.S. PATENT DOCUMENTS

2009/0149062 A1\* 6/2009 Valentin ..... H01R 13/506  
439/538  
2014/0051287 A1\* 2/2014 Liao ..... H01R 13/4534  
439/607.01  
2018/0198640 A1\* 7/2018 Nejah ..... H04L 12/2827  
2018/0303002 A1\* 10/2018 Liao ..... H02G 3/14  
2020/0067240 A1\* 2/2020 Close ..... H01R 13/7175

\* cited by examiner

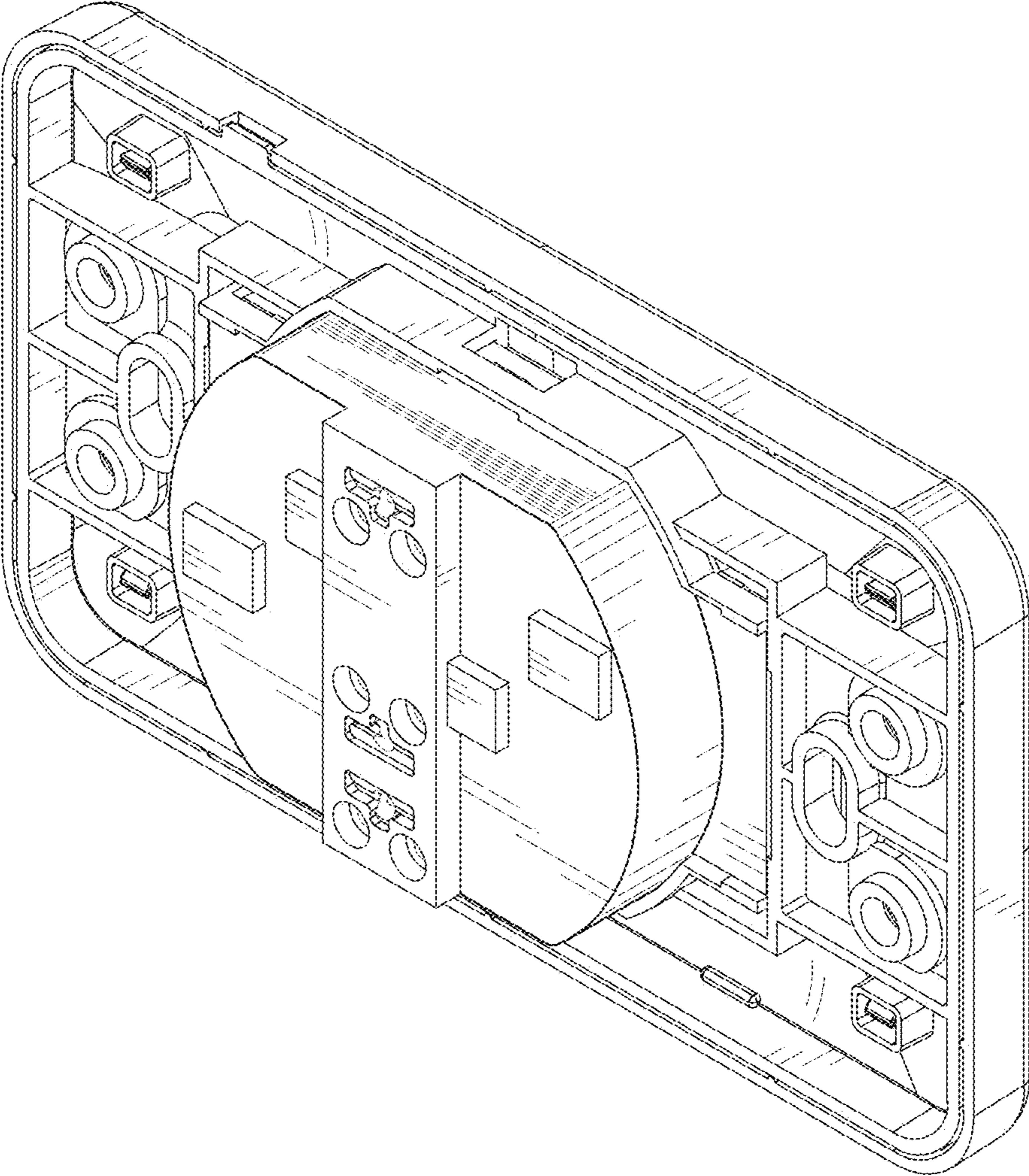


Fig. 1



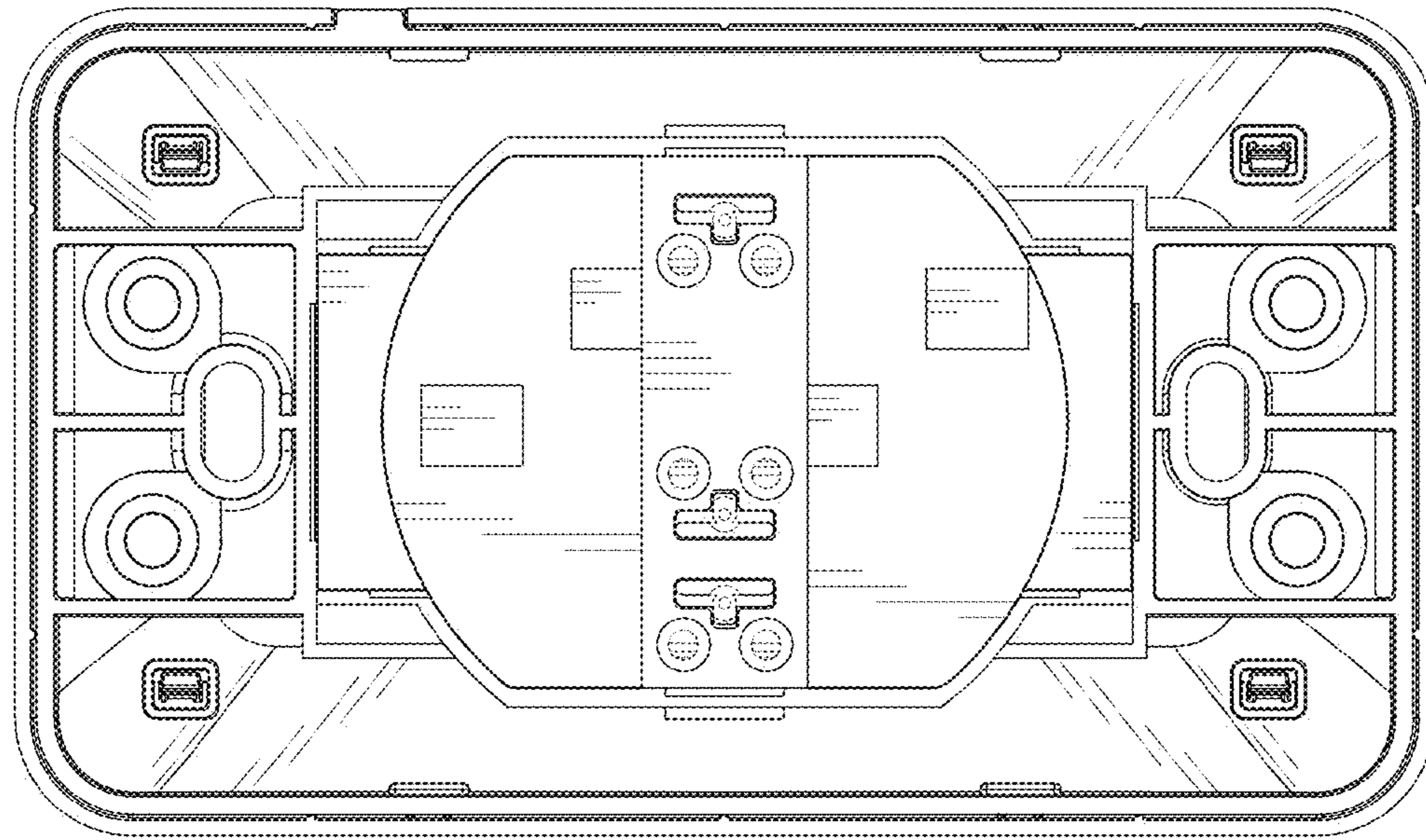


Fig. 2

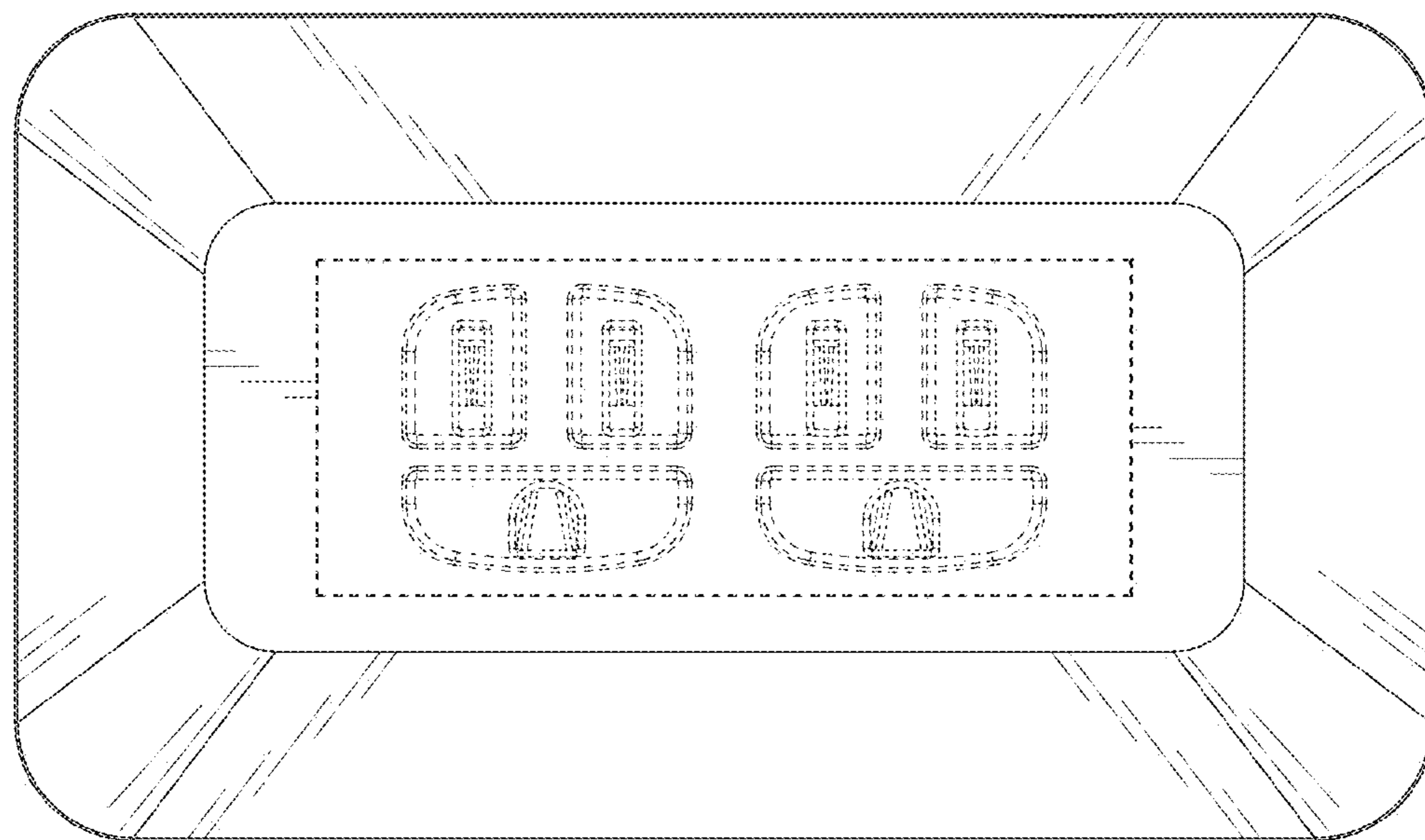


Fig. 3

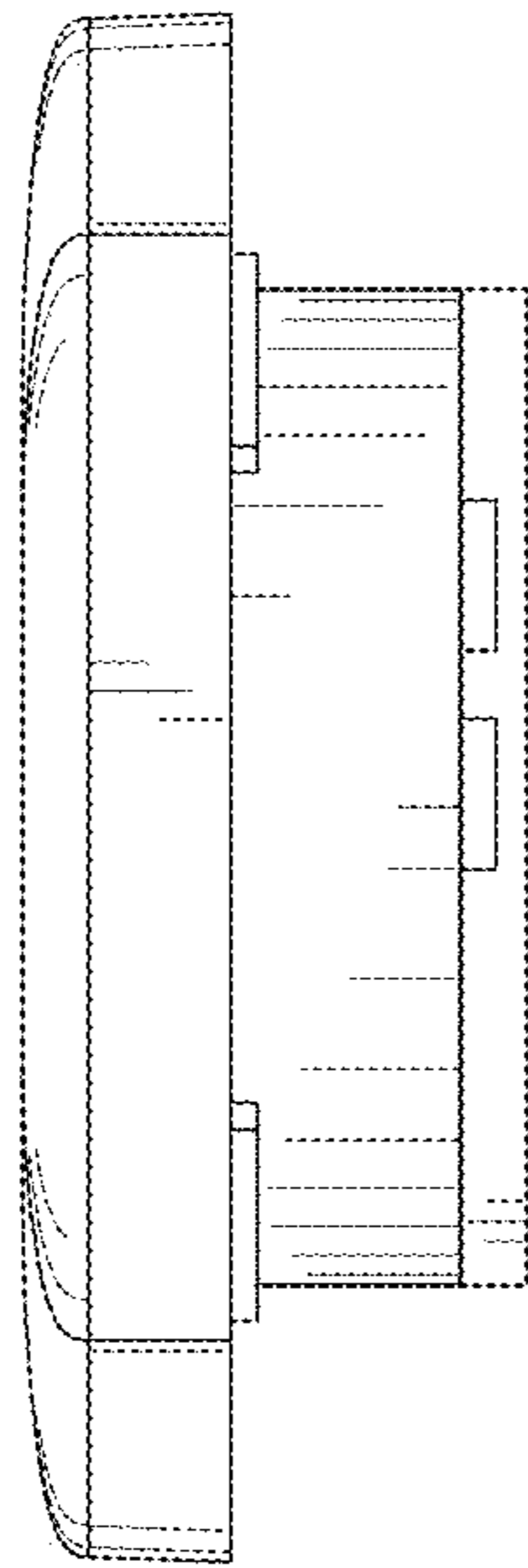


Fig. 4

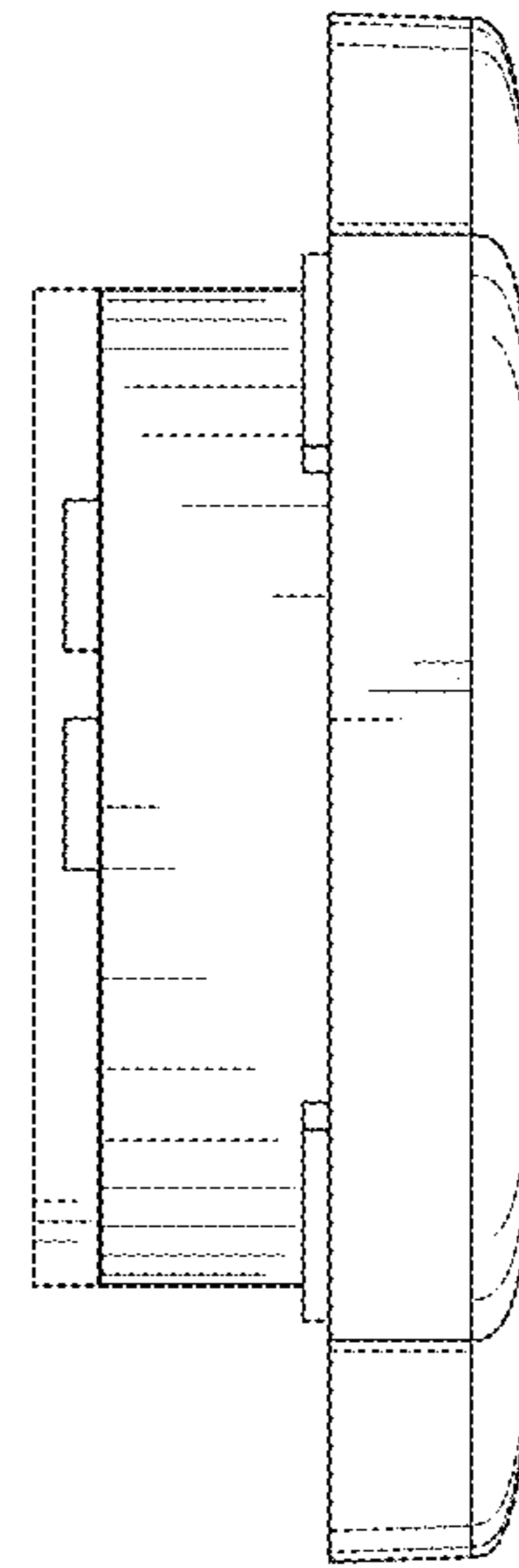


Fig. 5

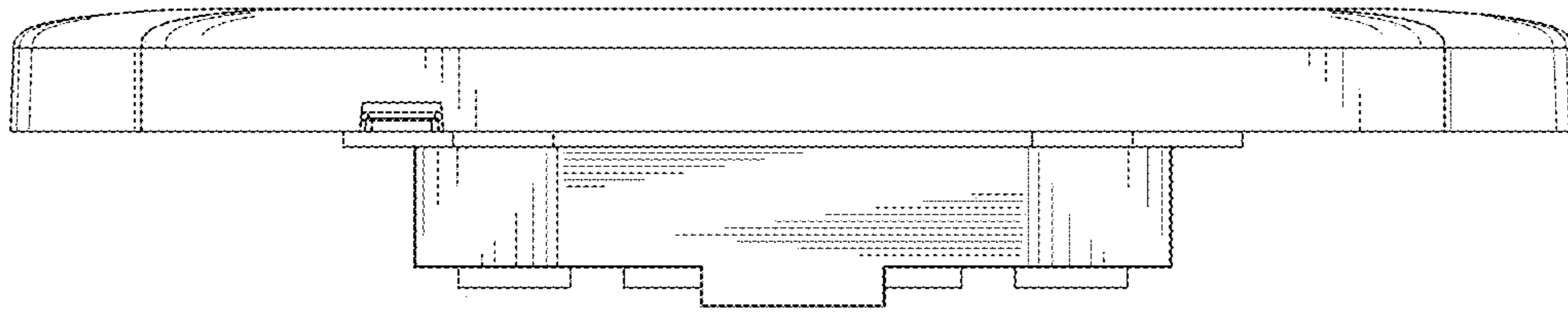


Fig. 6

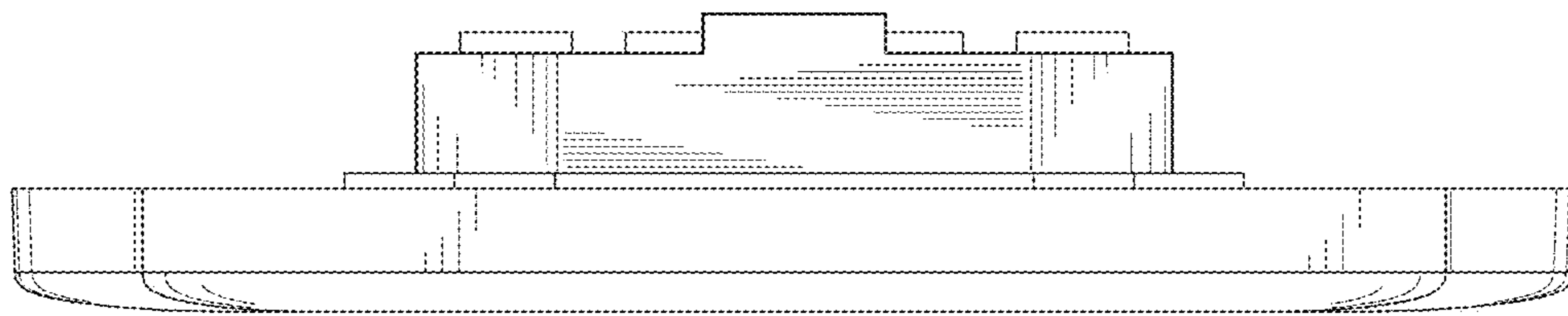


Fig. 7

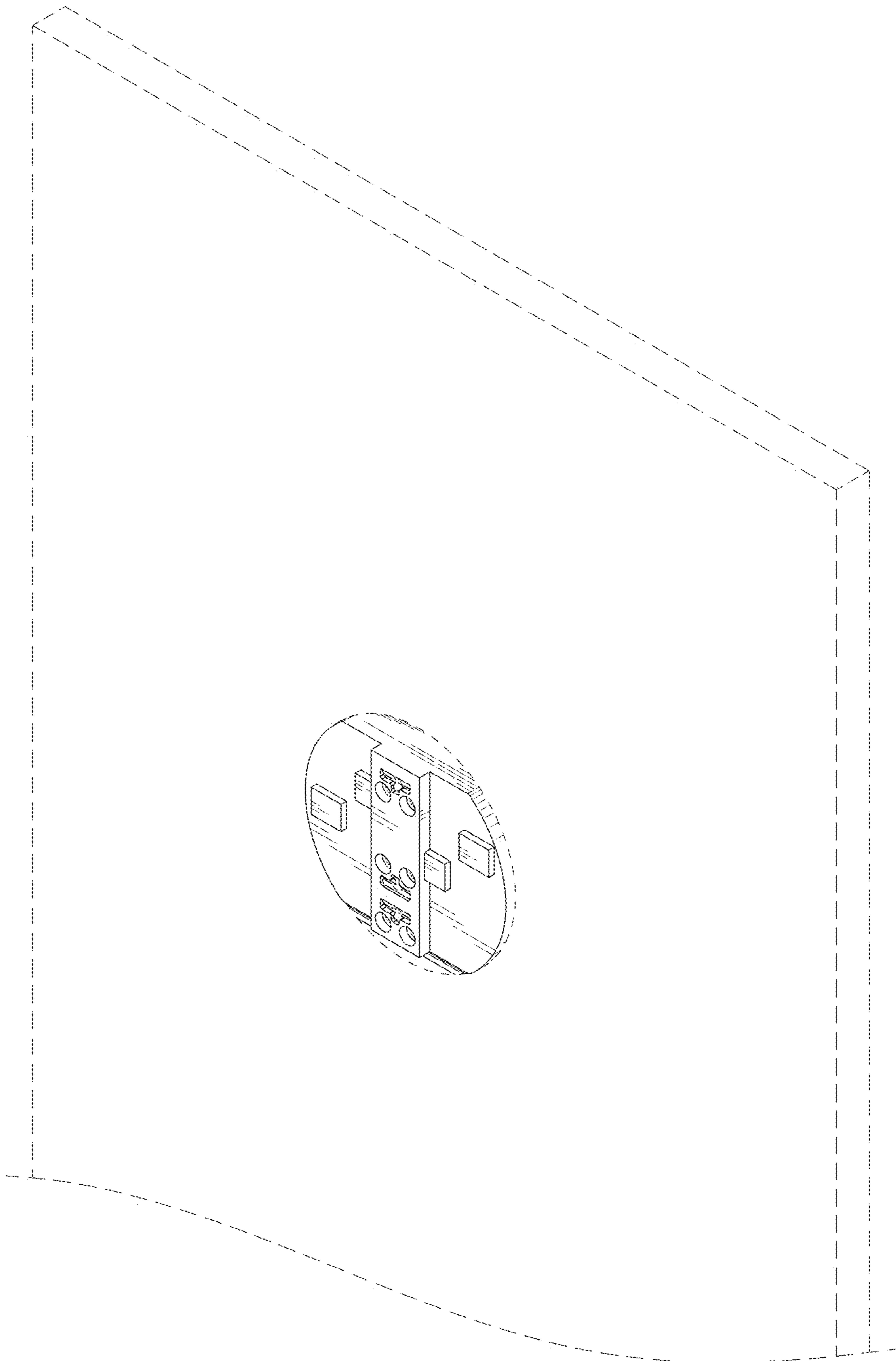


Fig. 8