



US00D953996S

(12) **United States Design Patent**  
**Zheng**

(10) **Patent No.:** **US D953,996 S**  
(45) **Date of Patent:** **\*\* Jun. 7, 2022**

(54) **SOCKET**

(71) Applicant: **SUZHOU NUOZHI DIANZI KEJI CO., LTD**, Zhangjiagang (CN)

(72) Inventor: **Weirong Zheng**, Zhangjiagang (CN)

(73) Assignee: **SUZHOU NUOZHI DIANZI KEJI CO., LTD**, Zhangjiagang (CN)

(\*\*) Term: **15 Years**

(21) Appl. No.: **29/804,464**

(22) Filed: **Aug. 20, 2021**

(51) **LOC (13) Cl.** ..... **13-03**

(52) **U.S. Cl.**  
USPC ..... **D13/137.2**

(58) **Field of Classification Search**  
USPC ... D13/123, 133, 137.1, 137.2, 137.3, 137.4, D13/138.1, 138.2, 139.1, 139.2, 139.3, D13/139.4, 139.5, 139.6, 139.7, 139.8, D13/151, 152, 153, 154, 155, 156, 157, D13/158, 159, 184, 199, 103, 107, 108  
CPC ..... H01R 13/00; H01R 13/03; H01R 13/04; H01R 13/10; H01R 13/35; H01R 13/44; H01R 13/453; H01R 13/4534; H01R 13/502; H01R 13/514; H01R 13/631; H01R 13/639; H01R 13/6633; H01R 13/6666; H01R 13/6675; H01R 13/7135; H01R 31/02; H01R 31/06; H01R 31/065  
See application file for complete search history.

(56) **References Cited**

**U.S. PATENT DOCUMENTS**

D195,463 S \* 6/1963 Tamarin ..... D8/358  
4,000,405 A \* 12/1976 Horwinski ..... F21S 8/035  
362/95  
D367,037 S \* 2/1996 Fladung ..... D13/137.2  
D367,038 S \* 2/1996 Fladung ..... D13/137.2  
D370,459 S \* 6/1996 Boesel ..... D13/137.2  
D436,345 S \* 1/2001 Lentine ..... D13/137.2

D662,056 S 6/2012 Lee et al.  
D736,709 S \* 8/2015 Byrne ..... D13/137.1  
D814,420 S \* 4/2018 Chen ..... D13/137.2  
D881,821 S 4/2020 Lyu  
D924,807 S \* 7/2021 Bao ..... D13/137.2  
D924,808 S \* 7/2021 Bao ..... D13/137.2  
D926,687 S \* 8/2021 Helgeson ..... D13/110

(Continued)

**FOREIGN PATENT DOCUMENTS**

GB 6115169 \* 2/2021

**OTHER PUBLICATIONS**

“USB Wall Charger Surge Protector 5 Outlet Extender with 4 USB Charging Ports (1 USB C Outlet) 3 Sided 1800J Power Strip Multi Plug Outlets Wall Adapter Spaced for Home Travel Office ETL Listed”, first available Jul. 21, 2020. Amazon.com [https://www.amazon.com/dp/B087RKKXM5] (Year: 2020).\*

(Continued)

*Primary Examiner* — Rosemary K Tarcza  
*Assistant Examiner* — Seth David Kumpf

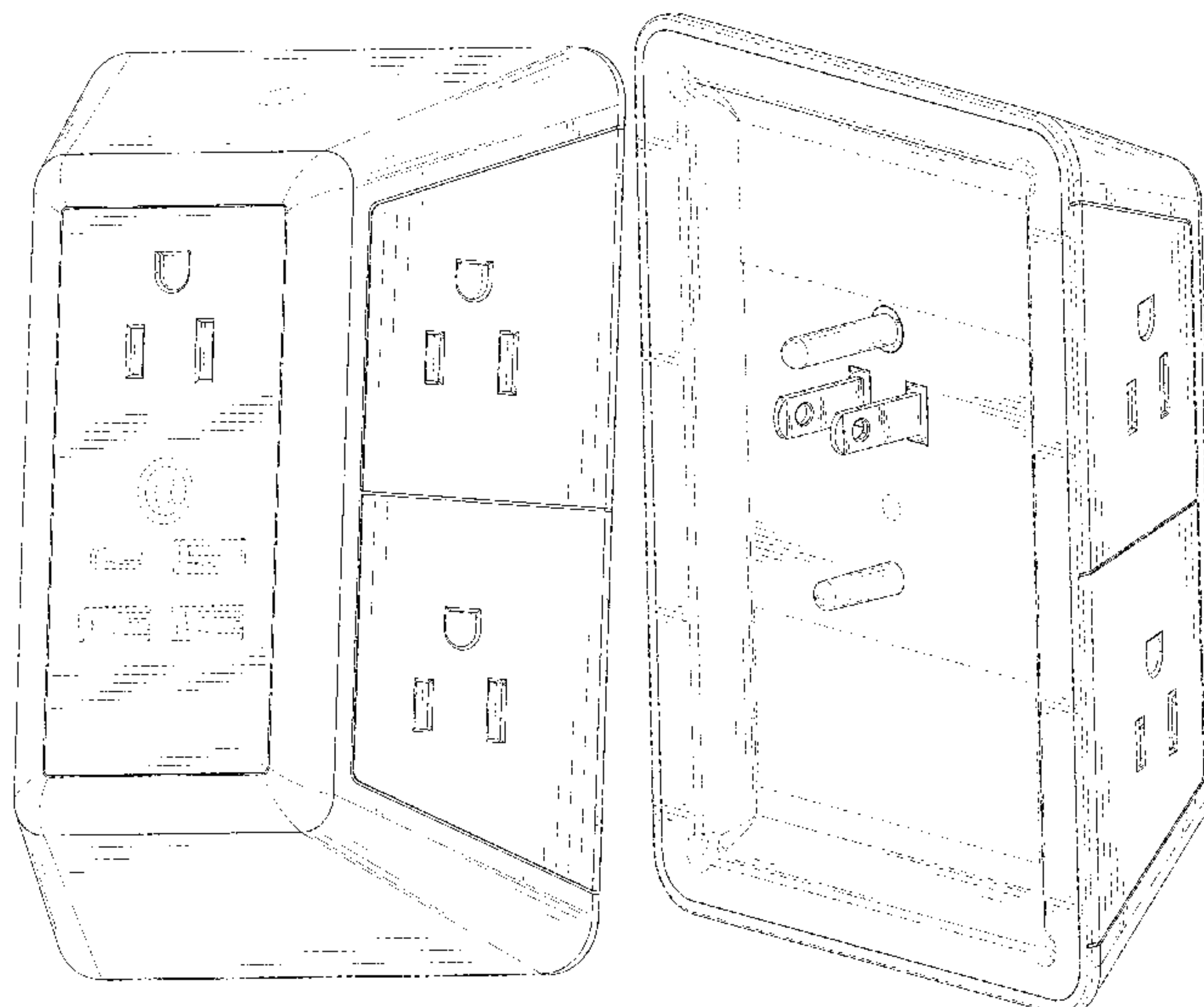
(57) **CLAIM**

The ornamental design for a socket, as shown and described.

**DESCRIPTION**

FIG. 1 is a perspective view of a socket showing my new design;  
FIG. 2 is another perspective view thereof;  
FIG. 3 is a front elevational view thereof;  
FIG. 4 is a rear elevational view thereof;  
FIG. 5 is a left side elevational view thereof;  
FIG. 6 is a right side elevational view thereof;  
FIG. 7 is a top plan view thereof; and,  
FIG. 8 is a bottom plan view thereof.  
The broken lines in the drawings depict portions of the socket that form no part of the claimed design.

**1 Claim, 8 Drawing Sheets**



(56)

**References Cited**

U.S. PATENT DOCUMENTS

D936,005 S \* 11/2021 Helgeson ..... D13/110  
 D947,775 S \* 4/2022 Rajasekaran ..... D13/137.2  
 2017/0294732 A1 \* 10/2017 Monzaviyan ..... H01R 13/447

OTHER PUBLICATIONS

“USB Wall Charger, POWSAV Surge Protector 5 Outlet Extender with 4 USB Ports (1 USB C Outlet) 3 Sided 1680J Power Strip Multi Plug Outlets Wall Adapter Spaced , ETL Listed”, first available Jun. 30, 2021. Amazon.com [https://www.amazon.com/dp/B0989KH5GN] (Year: 2021).\*

“Outlet Extender Surge Protector, Multi Plug Outlet Splitter with USB Ports (Support PD20W USB C-QC3.0) 6 Outlets 1800J Wall Charger , Plug Adapter, Wall Mount Power Strip for Home Office UL/ETL Listed”, first available Aug. 31, 2021. Amazon.com [https://www.amazon.com/dp/B09CQK468D] (Year: 2021).\*

“Surge Protector, Outlet Extender, 1800J USB Wall Charger with 5 Widely Outlets 3 USB Charging Ports(1 USB C), 3 Side Multi Plug Outlets Wall Adapter for Home Travel Office, ETL Listed . . .”, first

available Sep. 4, 2021. Amazon.com [https://www.amazon.com/dp/B096DPTDKN] (Year: 2021).\*

“USB Wall Charger, Surge Protector, QINLIANF 5 Outlet Extender with 4 USB Charging Ports (4.8A Total) 3-Sided 1680J Power Strip Multi Plug Outlets Wall Adapter Spaced for Home Travel Office (3U1C)”, first available Dec. 23, 2020. Amazon.com [https://www.amazon.com/dp/B08R6S1M1K] (Year: 2020).\*

“USB Wall Charger, Surge Protector, 6 Outlet Extender with 2 USB Ports, 3-Sided 2100J Power Strip Multi Plug Outlets Wall Adapter Spaced for Home Travel Office (2 USB)”, first available Dec. 16, 2020. Amazon.com [https://www.amazon.com/dp/B08QRK6QL4] (Year: 2020).\*

“USB Wall Charger, Surge Protector, POWRUI 6-Outlet Extender with 2 USB Charging Ports (2.4A Total) and Night Light, 3-Sided Power Strip with Adapter Spaced Outlets—White , ETL Listed”, first available Apr. 13, 2018. Amazon.com [https://www.amazon.com/dp/B07CCGBB7M] (Year: 2018).\*

“Wall Surge Protector Outlet Extender—5 Outlet Splitter (3 Side) and 3 USB Charger(1 USB C), 1800 Joules Multi Plug Outlet Wall USB Outlet Spaced Adapter”, first available Jun. 2, 2021. Amazon.com [https://www.amazon.com/dp/B096DR9PJM] (Year: 2021).\*

\* cited by examiner

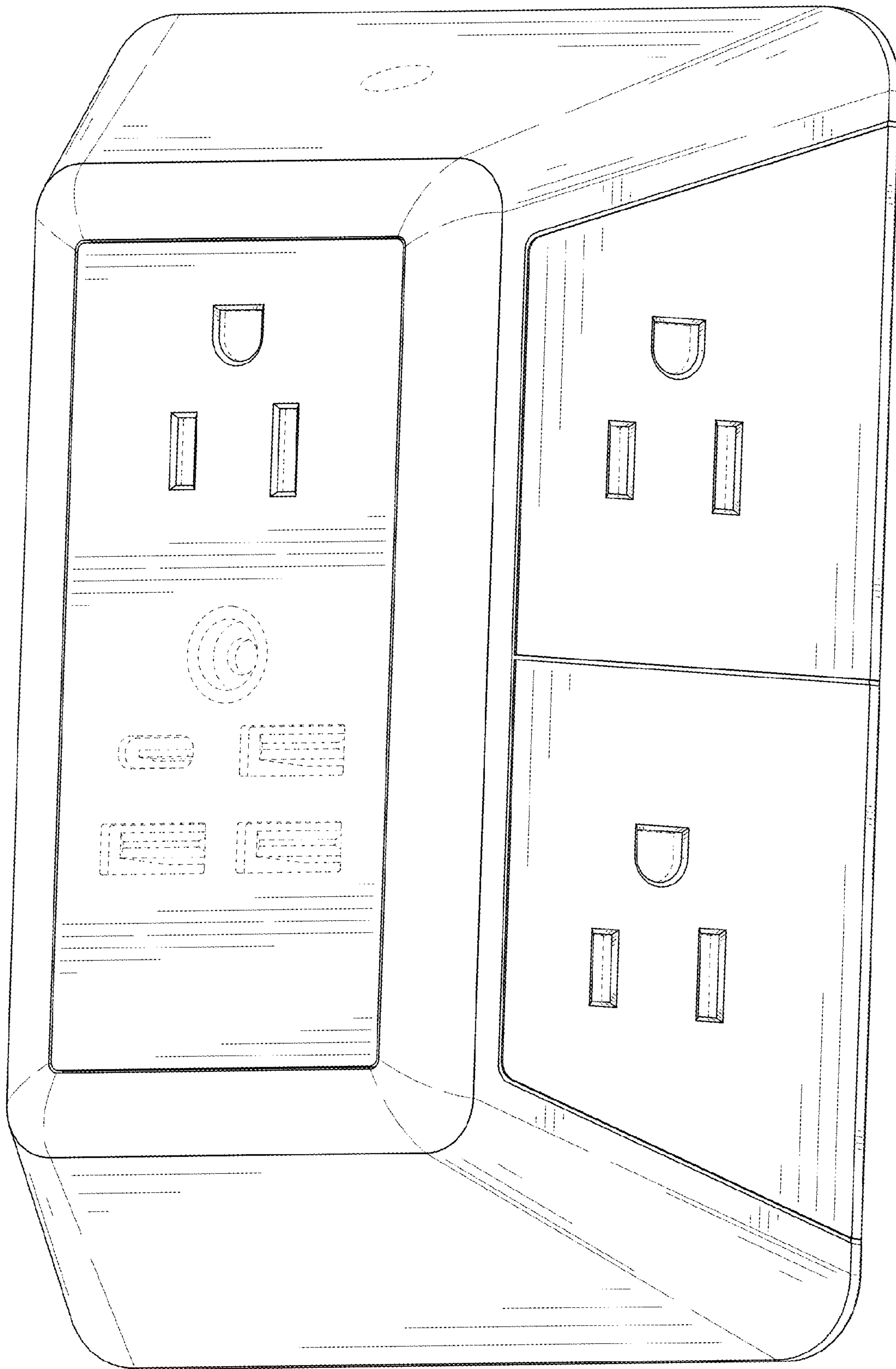


FIG. 1



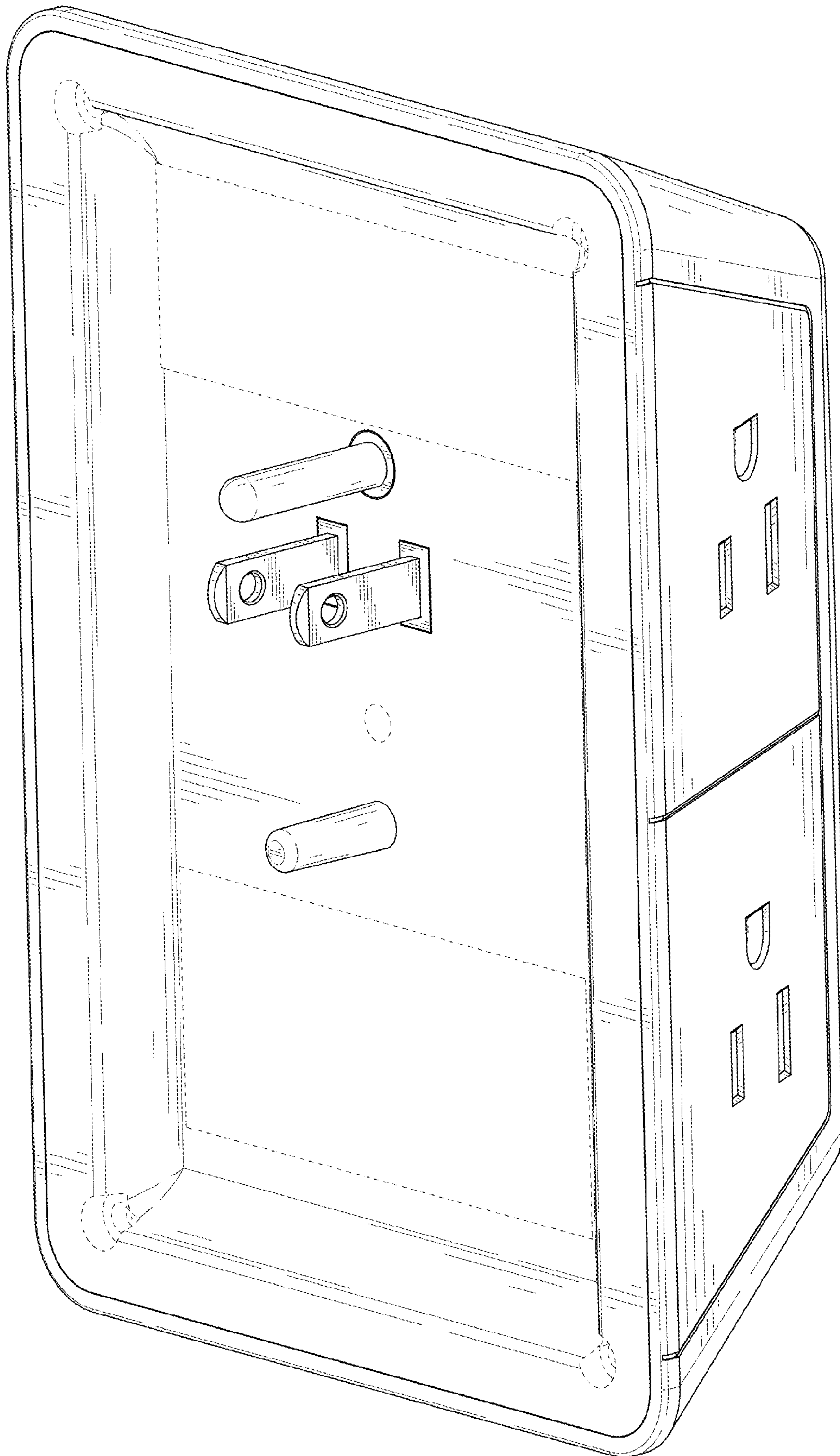


FIG. 2

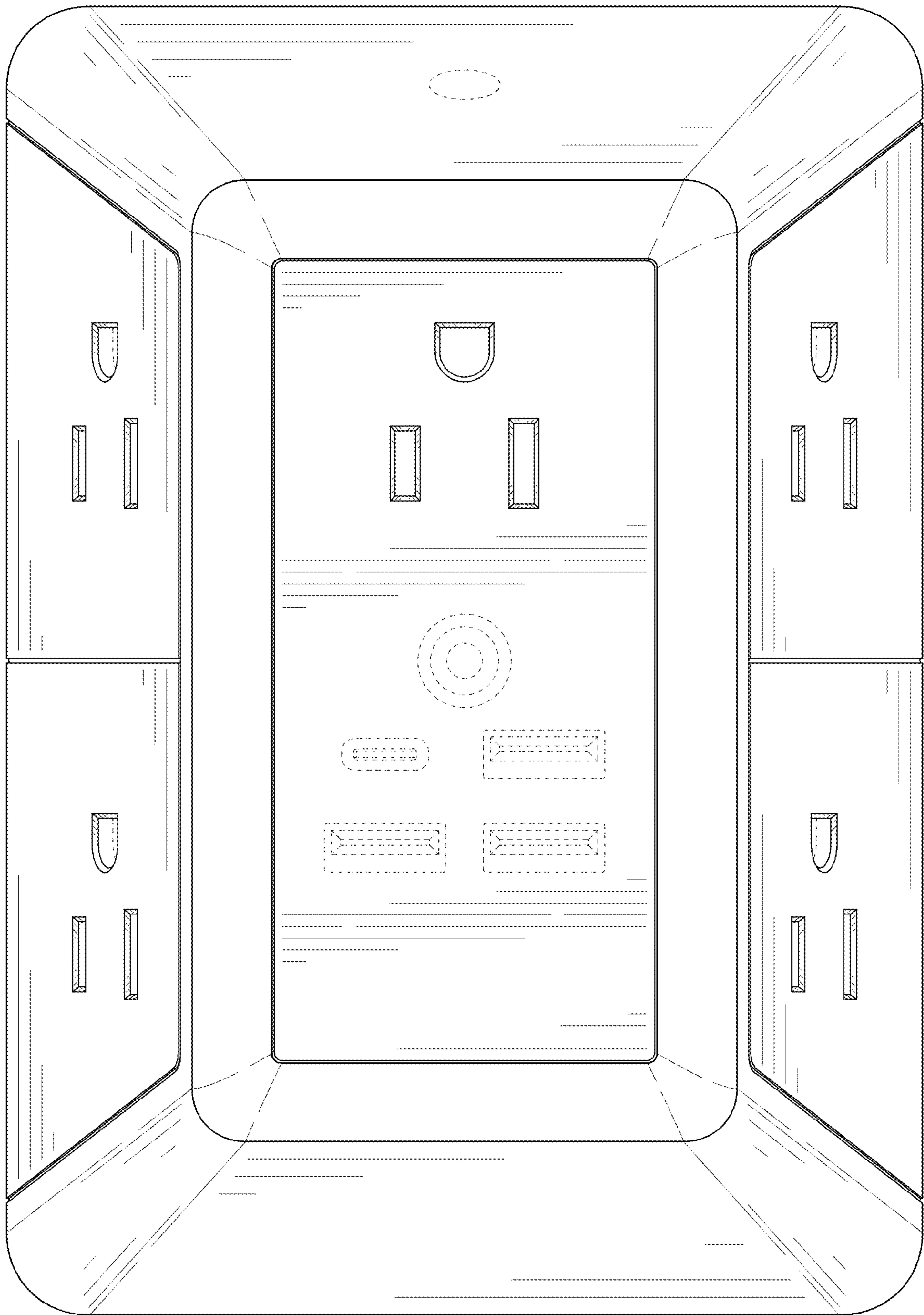


FIG. 3

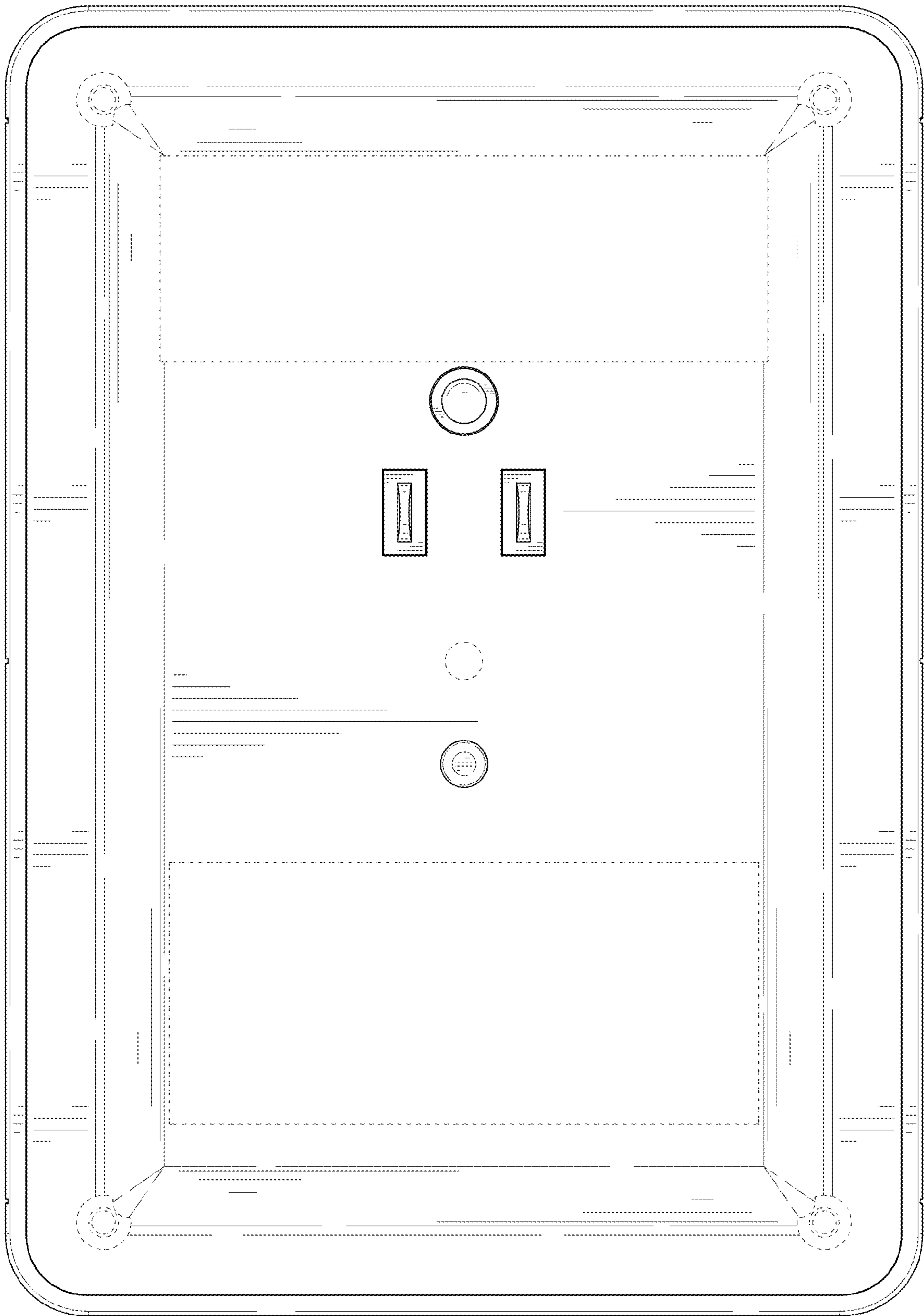


FIG. 4

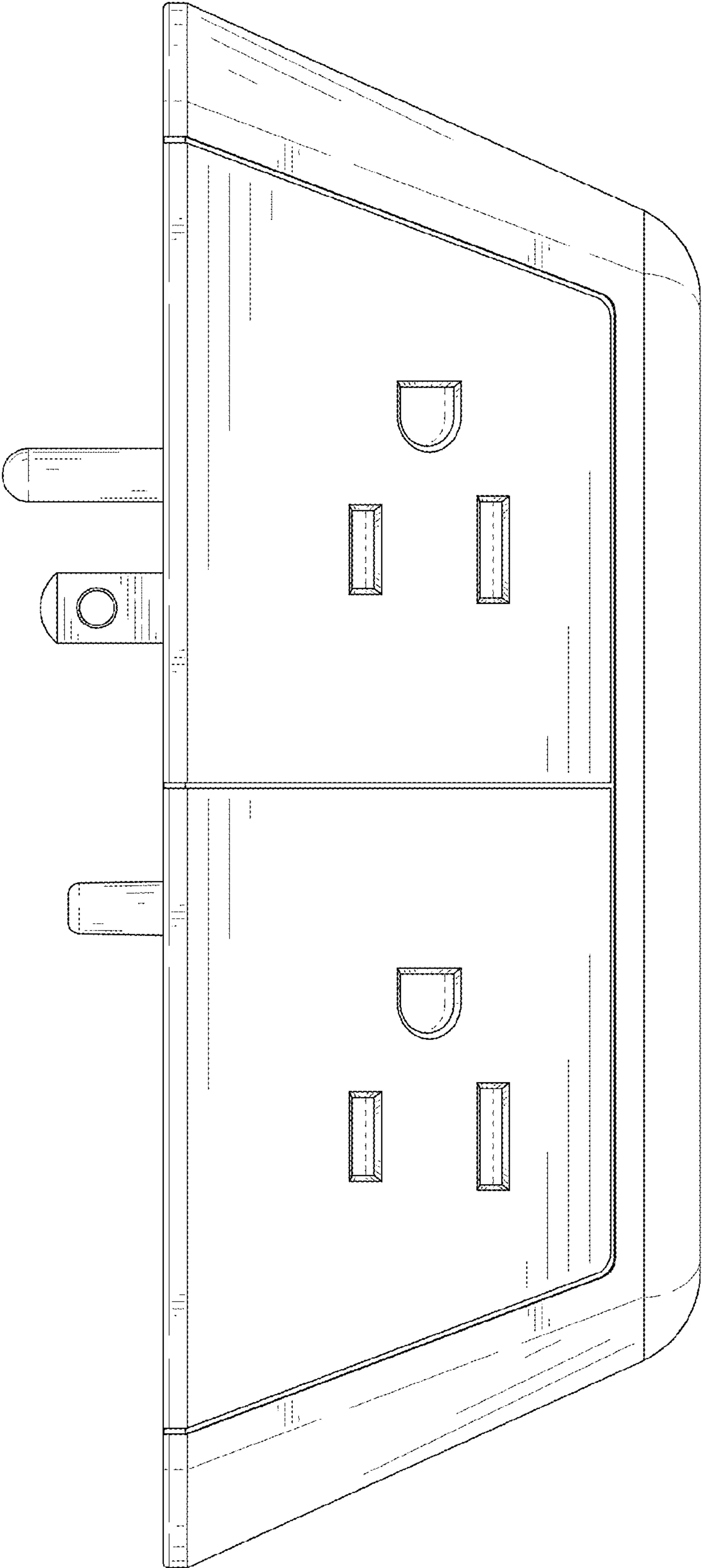


FIG. 5

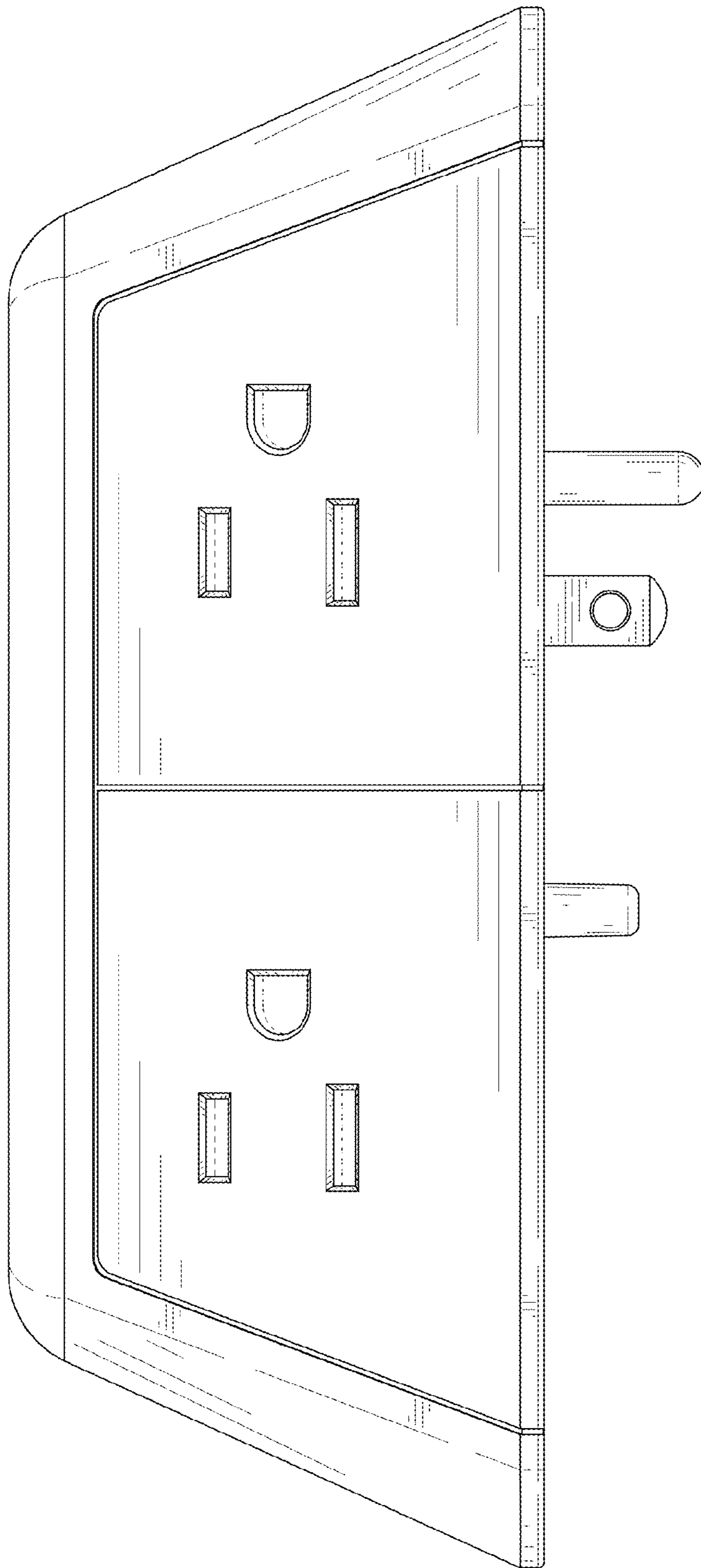


FIG. 6



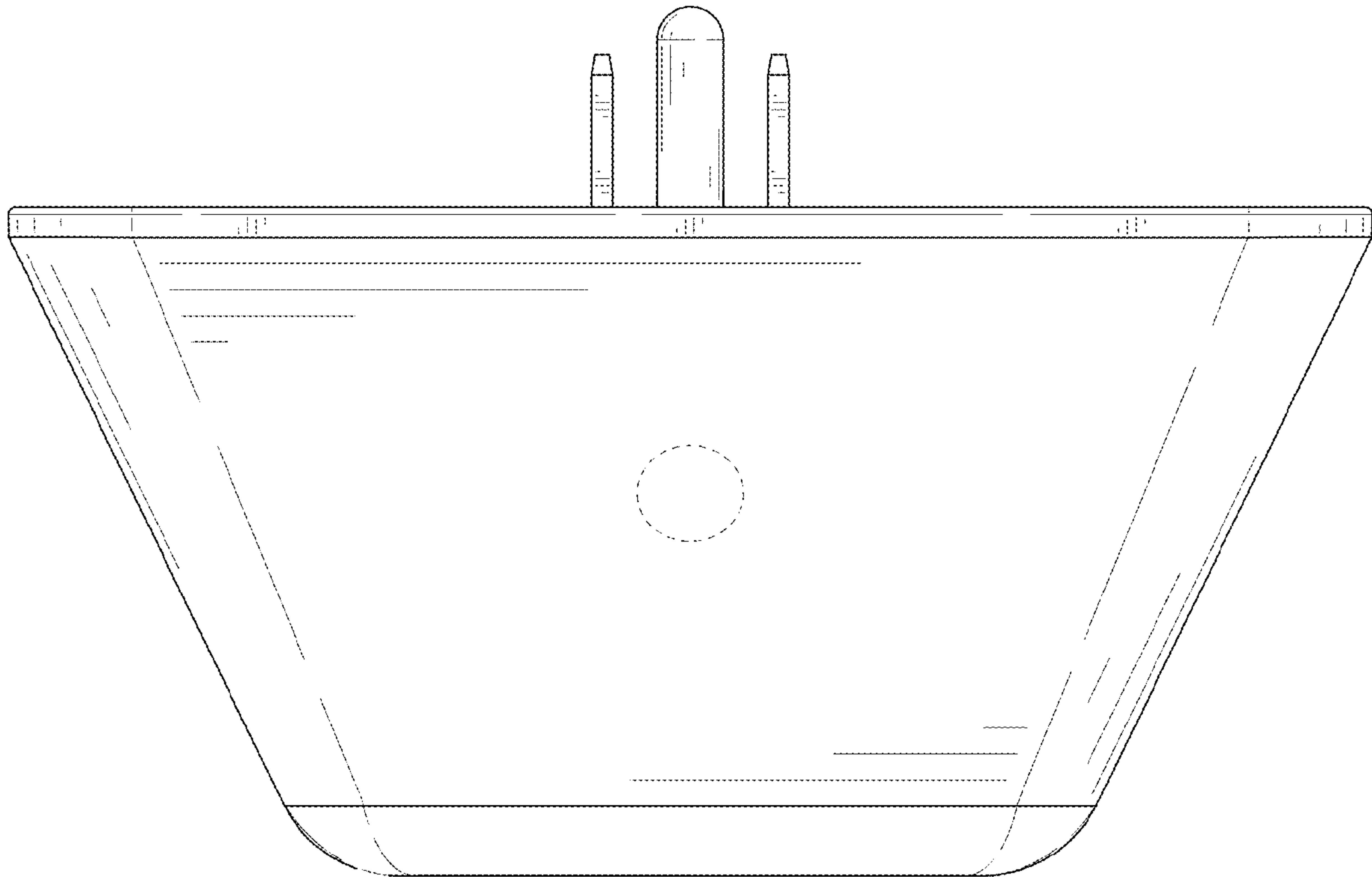


FIG. 7

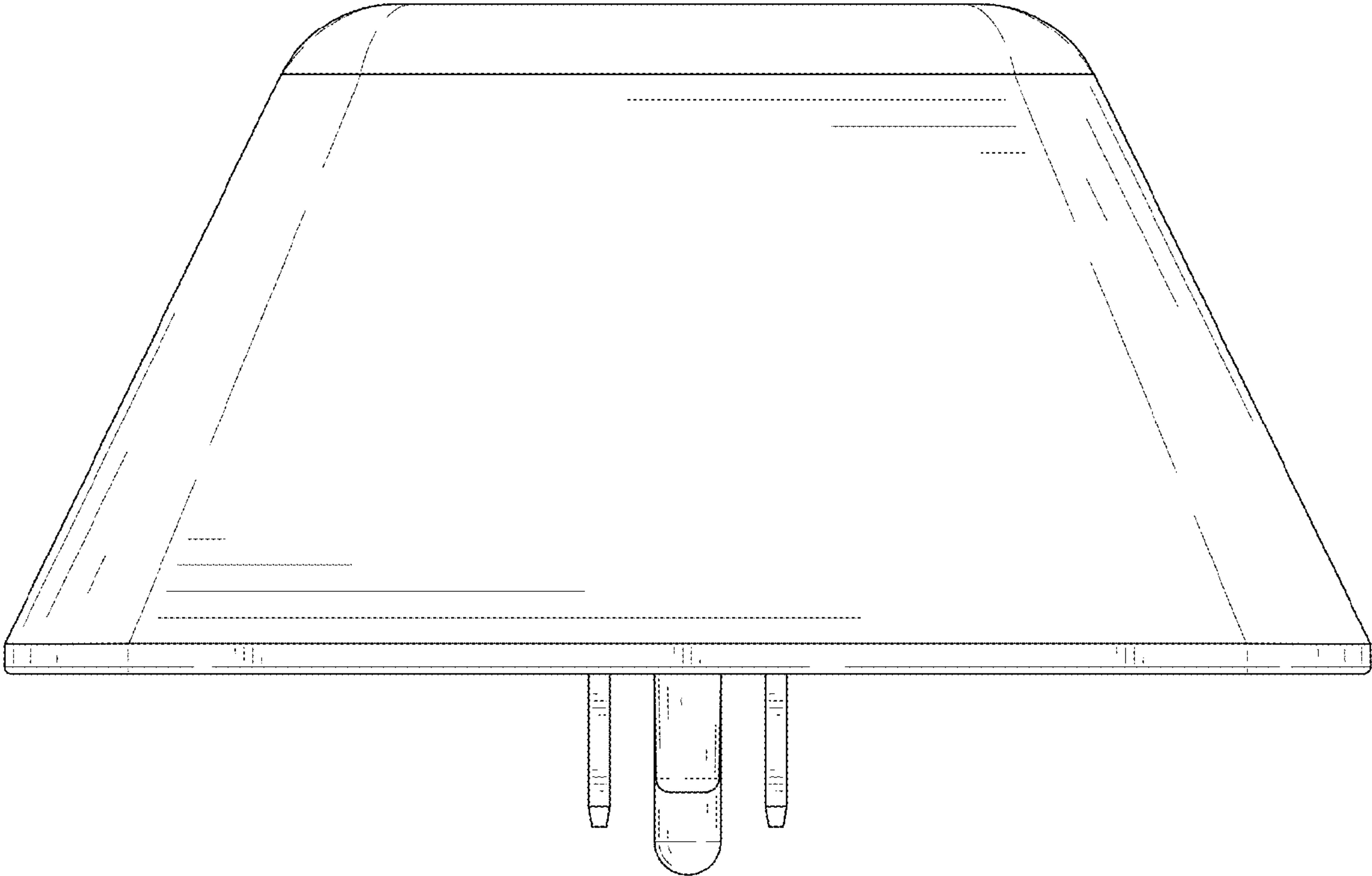


FIG. 8