



US00D953995S

(12) **United States Design Patent**
Zeng et al.

(10) **Patent No.:** **US D953,995 S**
(45) **Date of Patent:** **** Jun. 7, 2022**

(54) **POWER ADAPTER**

(71) Applicant: **Dongguan Best Travel Electronics Co., Ltd.**, Dongguan (CN)

(72) Inventors: **Guangli Zeng**, Dongguan (CN);
Chengbing Wang, Dongguan (CN);
Feng Wang, Dongguan (CN)

(**) Term: **15 Years**

(21) Appl. No.: **29/767,384**

(22) Filed: **Jan. 22, 2021**

(30) **Foreign Application Priority Data**

Jul. 24, 2020 (CN) 202030407498.X

(51) **LOC (13) Cl.** **13-03**

(52) **U.S. Cl.**
USPC **D13/137.2**

(58) **Field of Classification Search**
USPC D13/137.1, 137.2, 137.3, 137.4, 138.1,
D13/138.2, 139.1, 139.2, 139.3, 139.4,
D13/139.5, 139.6, 139.7, 139.8, 103, 107,
D13/108, 110, 119, 123, 133, 145, 152,
D13/153, 154, 156, 158, 160, 162, 177,
D13/184, 199

CPC H01R 13/00; H01R 13/03; H01R 13/04;
H01R 13/10; H01R 13/35; H01R 13/44;
H01R 13/453; H01R 13/4534; H01R
13/502; H01R 13/514; H01R 13/631;
H01R 13/639; H01R 13/6633; H01R
13/6666; H01R 13/6675; H01R 13/7135;
H01R 31/02; H01R 31/06; H01R 31/065

See application file for complete search history.

(56) **References Cited**

U.S. PATENT DOCUMENTS

D732,472 S 6/2015 Laffon et al.
D838,245 S * 1/2019 Lin D13/137.2
D848,947 S * 5/2019 Liu D13/137.2

D855,571 S * 8/2019 Zeng D13/137.2
D856,933 S * 8/2019 Lin D13/137.2
D863,223 S * 10/2019 Zeng D13/137.2
D892,055 S * 8/2020 Wang D13/137.2
D895,555 S * 9/2020 Hasan D13/137.2
D900,747 S * 11/2020 Huang D13/137.2

(Continued)

FOREIGN PATENT DOCUMENTS

CN 304731523 * 7/2018
GB 6114825 * 1/2021

OTHER PUBLICATIONS

“HAOZI Universal Travel Adapter, All-in-one International Power Adapter with 2.4A Dual USB, European Adapter Travel Power Adapter Wall Charger for UK, EU, AU, Asia Covers 150+Countries (Blue)”, first available Jun. 28, 2017. Amazon.com [https://www.amazon.com/dp/B074CRS574] (Year: 2017).*

(Continued)

Primary Examiner — Rosemary K Tarcza
Assistant Examiner — Seth David Kumpf

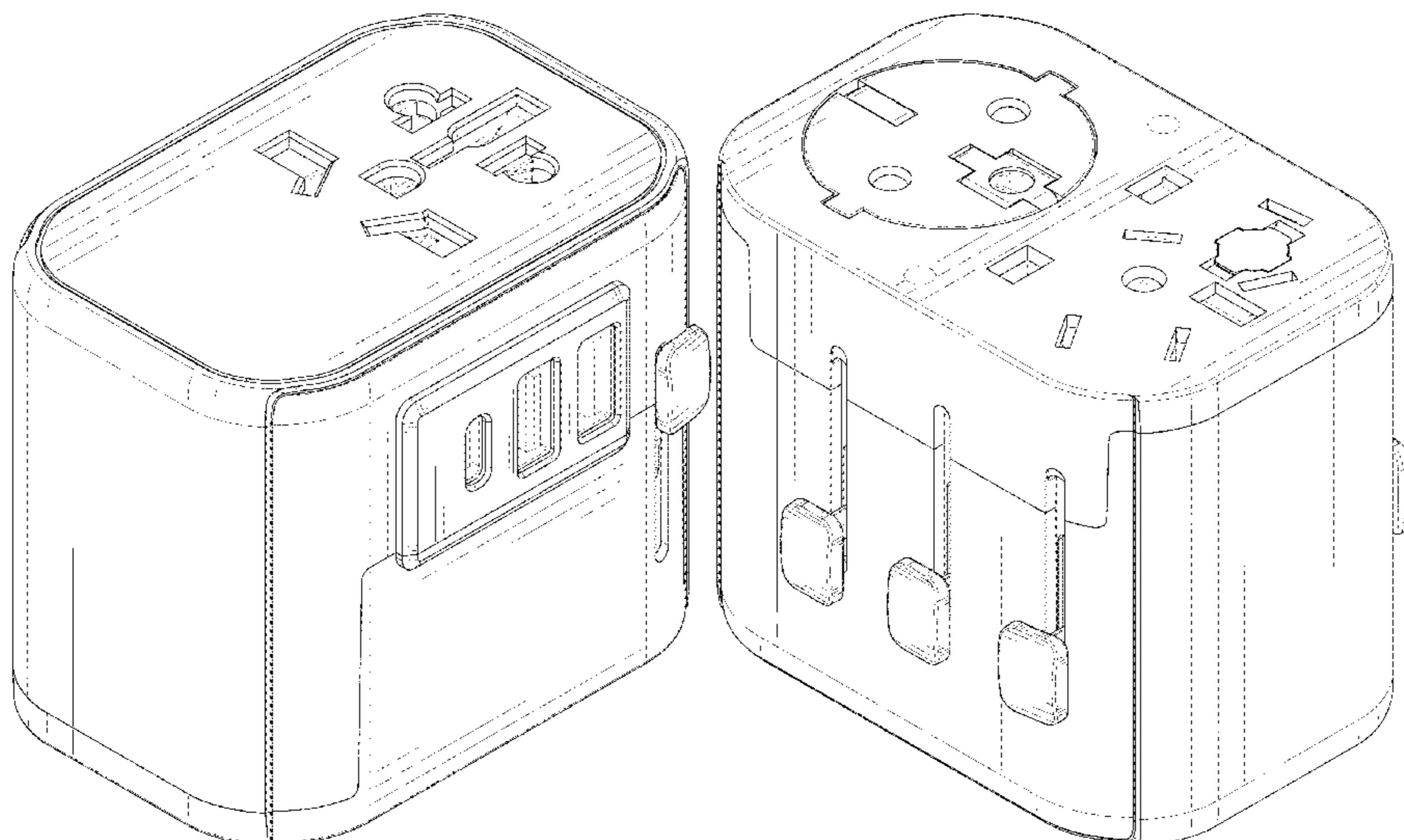
(57) **CLAIM**

The ornamental design for a power adapter, as shown and described.

DESCRIPTION

FIG. 1 is a front and top perspective view of a power adapter, showing our new design;
FIG. 2 is a rear and bottom perspective view thereof;
FIG. 3 is a front elevation view thereof;
FIG. 4 is a rear elevation view thereof;
FIG. 5 is a left side elevation view thereof;
FIG. 6 is a right side elevation view thereof;
FIG. 7 is a top plan view thereof; and,
FIG. 8 is a bottom plan view thereof.
The broken lines in the figures illustrate portions of the power adapter that form no part of the claimed design.

1 Claim, 8 Drawing Sheets



(56)

References Cited

U.S. PATENT DOCUMENTS

D920,916	S	*	6/2021	Zeng	D13/137.2
D928,707	S	*	8/2021	Zeng	D13/110
D934,171	S	*	10/2021	Yuan	D13/110
2018/0337501	A1	*	11/2018	Cai	H01R 29/00
2019/0341731	A1	*	11/2019	Barnett	H01R 31/06
2021/0320467	A1	*	10/2021	Zeng	H01R 31/06
2021/0376546	A1	*	12/2021	Barnett	H01R 31/06
2021/0384685	A1	*	12/2021	Li	H01R 27/00

OTHER PUBLICATIONS

“Power Plug Adapter—4 USB Ports Wall Charger—Fast Charging Adapter for 150 Countries—Multi Port Electric Plug—Type C Type A Type G Type I f for Uk Japan China Eu European By SublimeWare”, first available Nov. 30, 2016. Amazon.com [https://www.amazon.com/dp/B01N59M473] (Year: 2016).*

“SAUNORCH Universal International Travel Power Adapter W/Smart High Speed 2.4A 4xUSB Wall Charger, European Adapter, Worldwide AC Outlet Plugs Adapters for Europe, UK, US, AU, Asia-

Blue”, first available Dec. 25, 2017. Amazon.com [https://www.amazon.com/dp/B078M32R41] (Year: 2017).*

“Travel Adapter, Universal All in One Worldwide Travel Adapter Power Converters Wall Charger AC Power Plug Adapter with Dual USB Charging Ports for USA EU UK AUS”, first available May 14, 2016. Amazon.com [https://www.amazon.com/dp/B01FO4W5W2] (Year: 2016).*

“Universal Travel adapter, International wall charger with 4 USB Charging Ports, World adaptor combo, All in One power converters—Type A C G I for USA UK Japan China Eu Europe European”, first available Apr. 12, 2019. Amazon.com [https://www.amazon.com/dp/B07NRD4N2H] (Year: 2019).*

“EPICKA Universal Travel Adapter One International Wall Charger AC Plug Adaptor with 5.6A Smart Power and 3.0A USB Type-C For USA EU UK AUS (Grey)”, first available Jan. 2, 2018. Amazon.com [https://www.amazon.com/dp/B078S3M2NX] (Year: 2018).*

“International Travel Adapter Universal Power Adapter Worldwide All in One 4 USB with Electrical Plug Perfect for European US, EU, UK, AU 160 Countries (Black)”, first available Sep. 23, 2017. Amazon.com [https://www.amazon.com/dp/B07H33VVHW] (Year: 2017).*

* cited by examiner

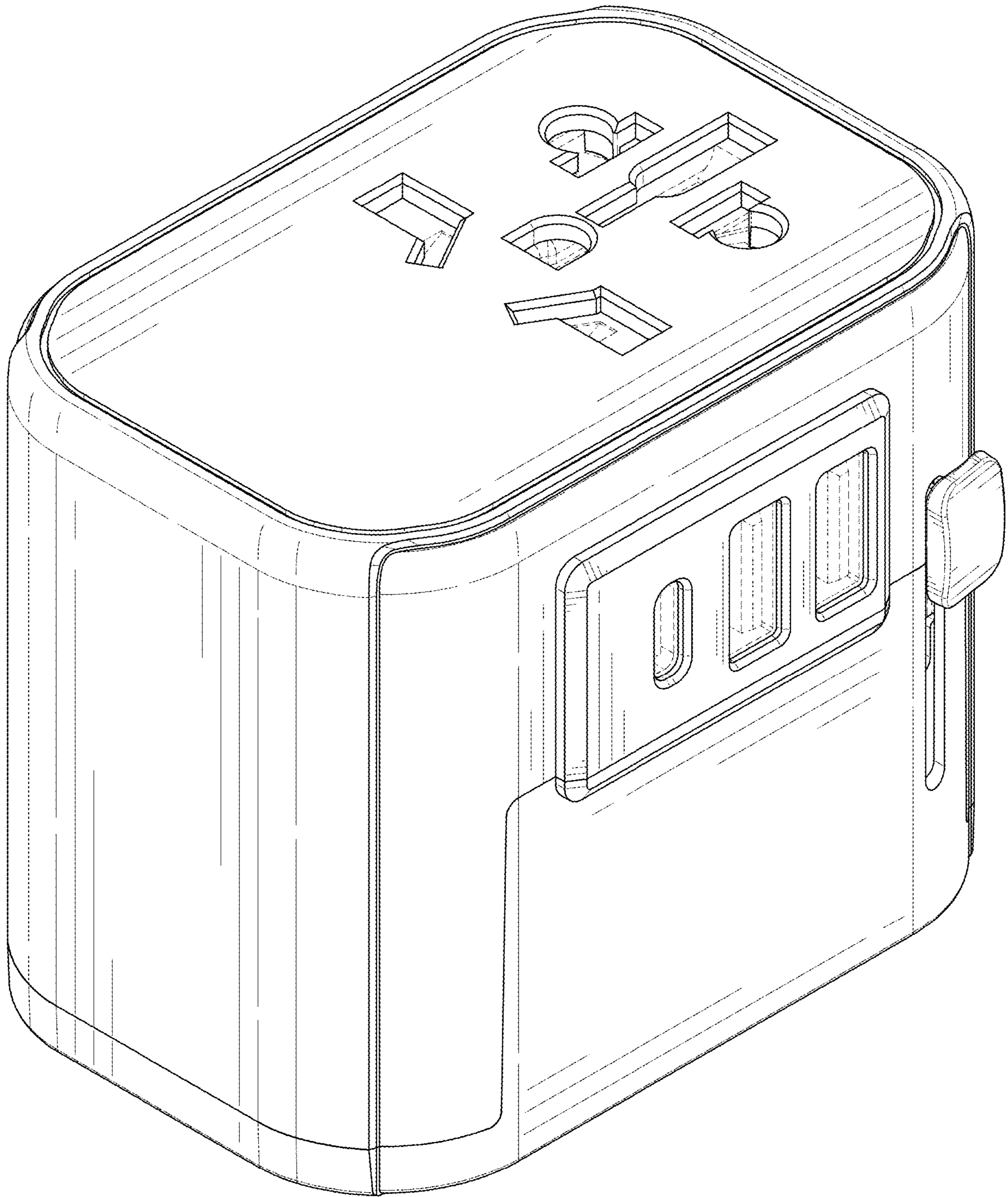


FIG. 1

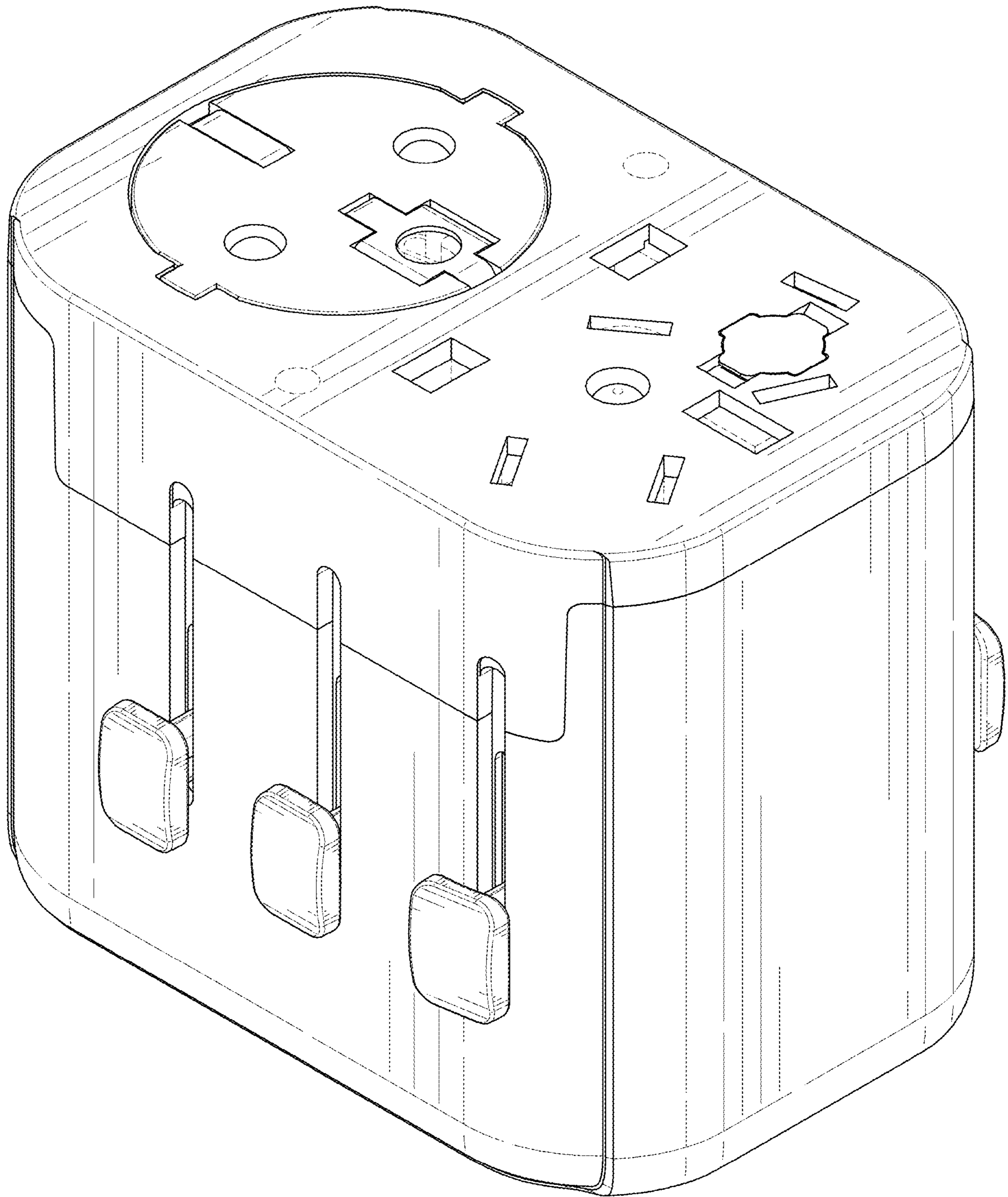


FIG. 2

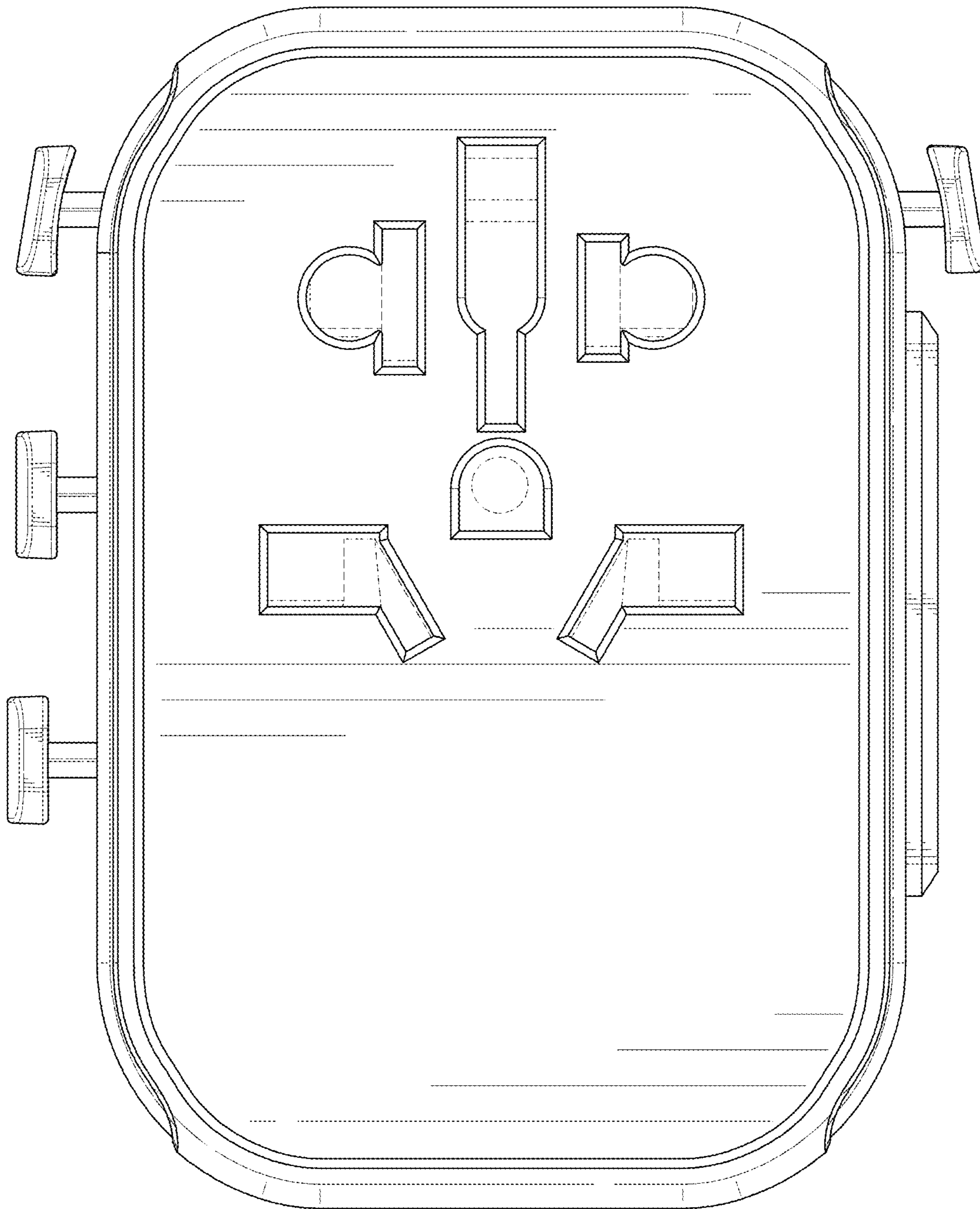


FIG. 3

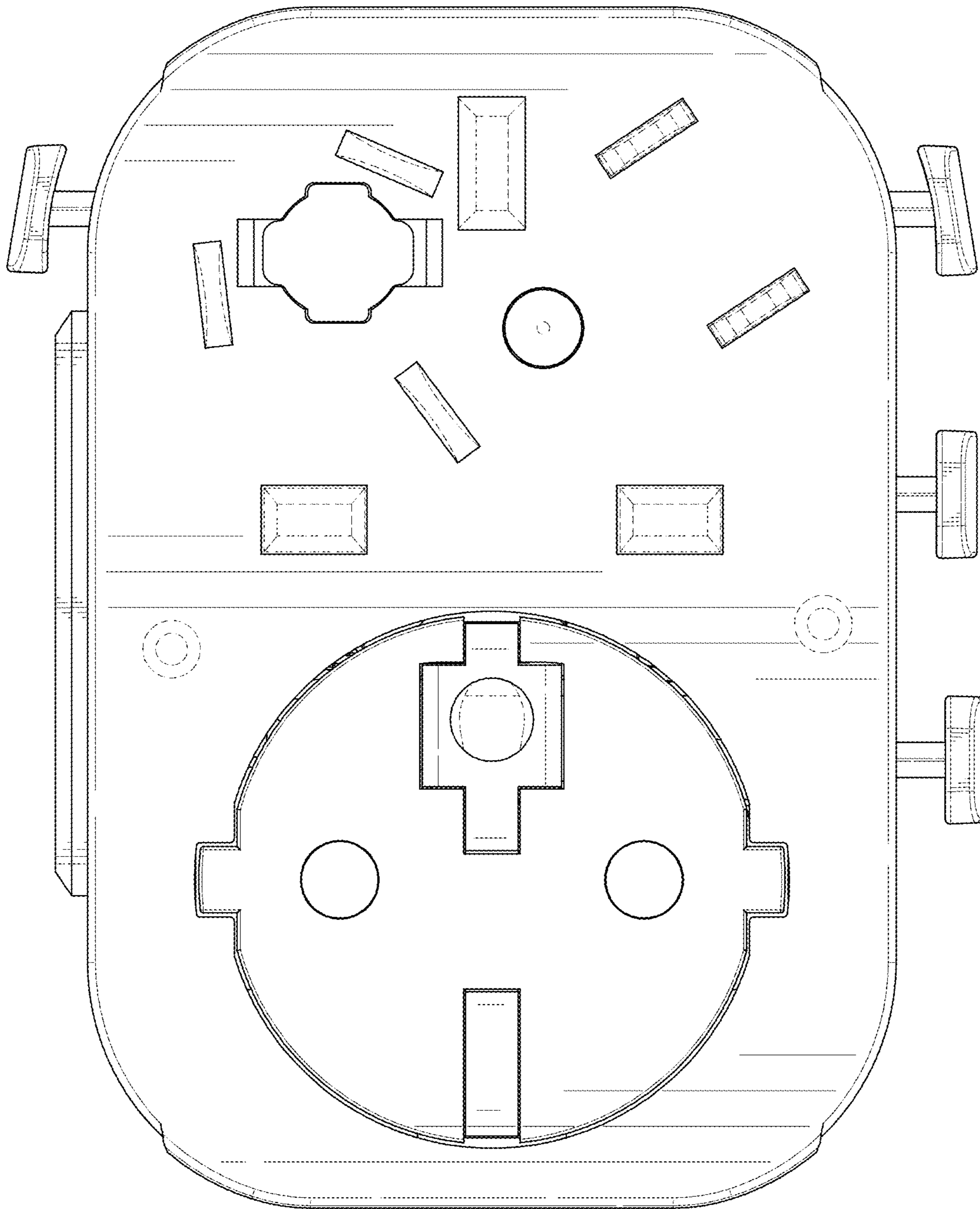


FIG. 4

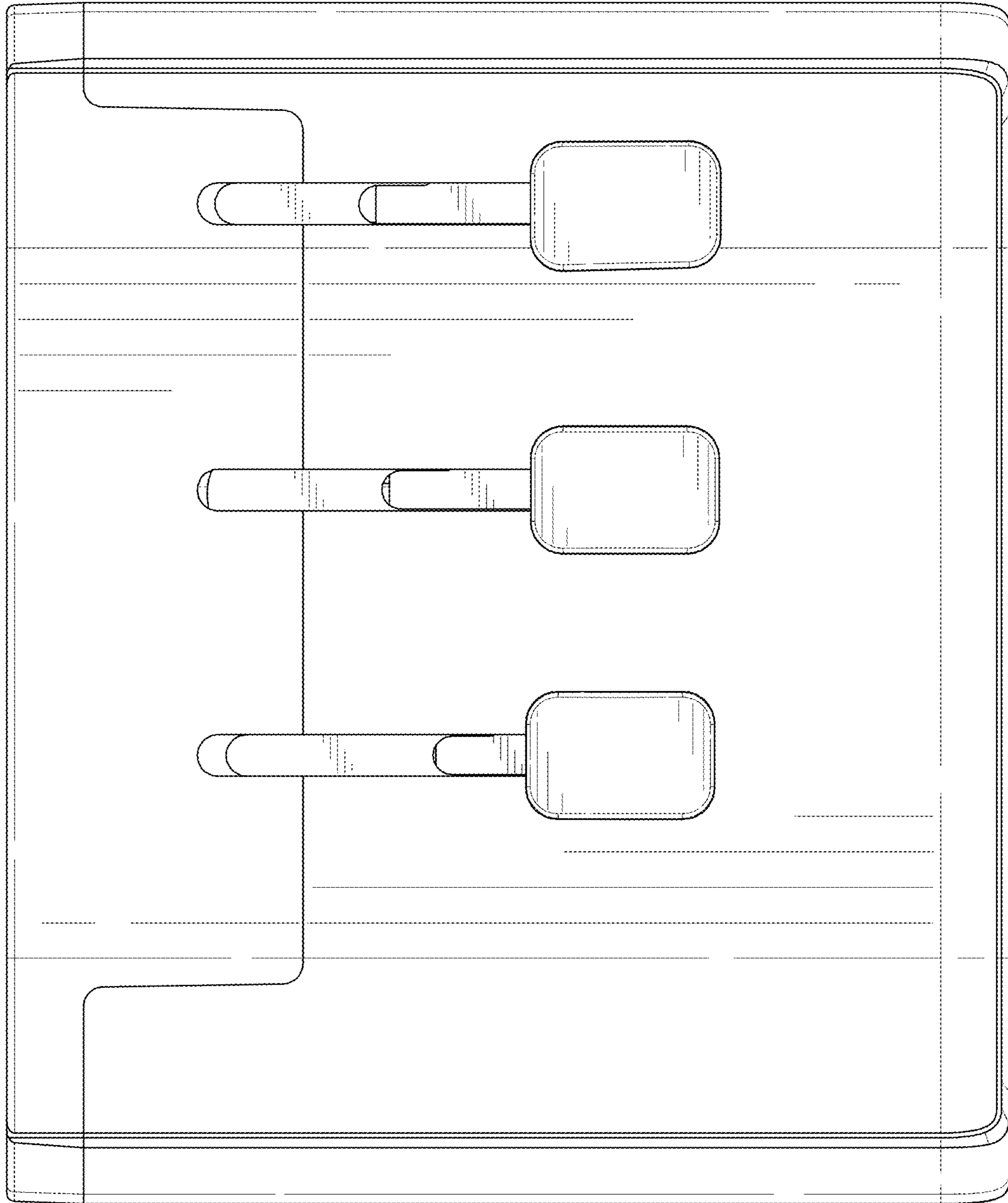


FIG. 5

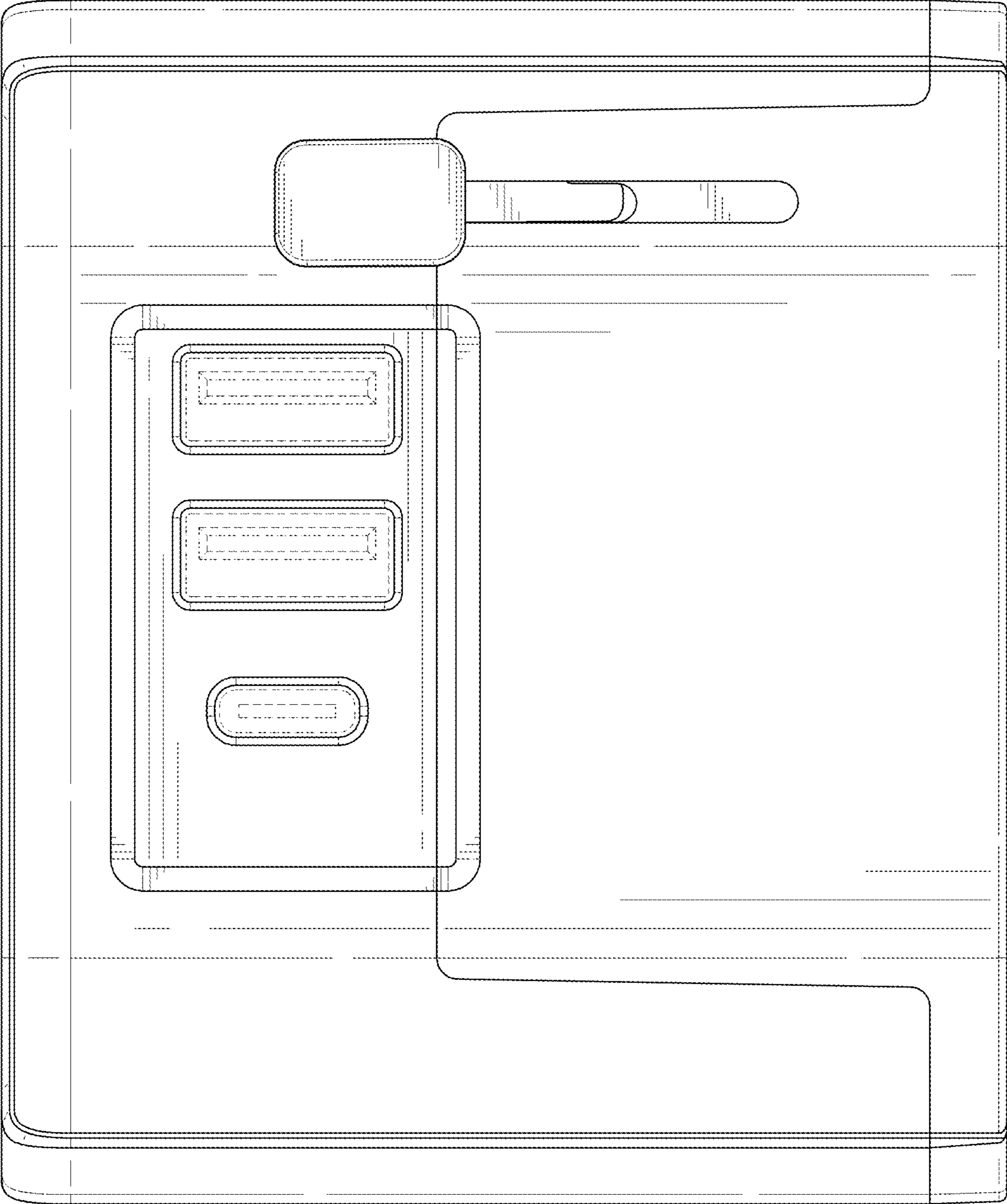


FIG. 6

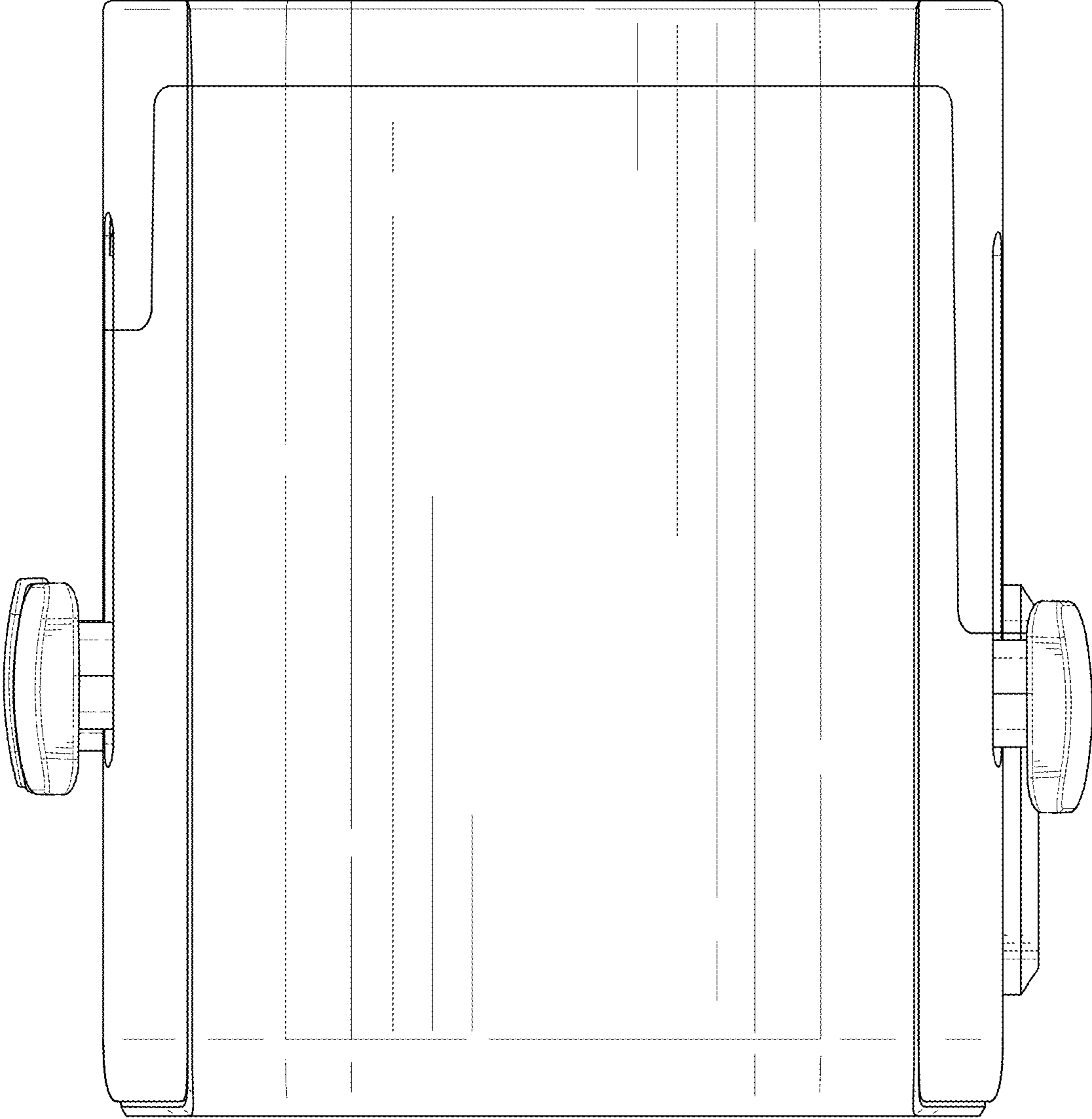


FIG. 7

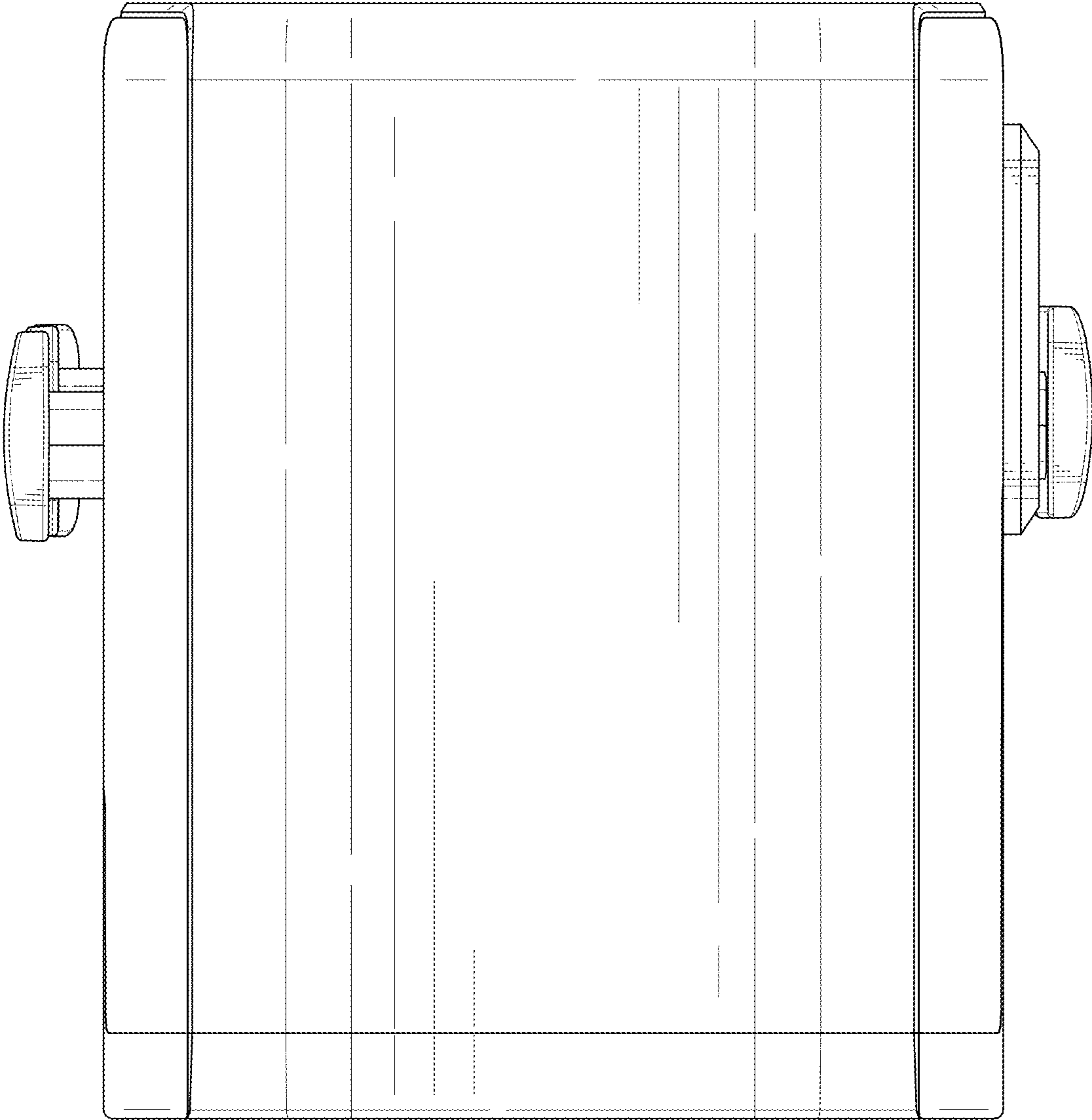


FIG. 8