



US00D953994S

(12) **United States Design Patent**
Lin

(10) **Patent No.:** **US D953,994 S**
(45) **Date of Patent:** **** Jun. 7, 2022**

(54) **UNIVERSAL PLUG AND SOCKET CHARGER**

(71) Applicant: **Dongguan Wontravel Electric Co., Ltd.**, Guangdong (CN)

(72) Inventor: **Liangguan Lin**, Guangdong (CN)

(**) Term: **15 Years**

(21) Appl. No.: **29/730,180**

(22) Filed: **Apr. 2, 2020**

(30) **Foreign Application Priority Data**

Nov. 13, 2019 (CN) 201930621889.9

(51) **LOC (13) Cl.** **13-03**

(52) **U.S. Cl.**
USPC **D13/137.2**

(58) **Field of Classification Search**

USPC D13/110, 137.2, 133, 139.8, 153, 103,
D13/199, 107, 139.4, 139.5, 118, 108,
D13/102, 119, 137.1, 137.3, 137.4, 138.1,
D13/138.2, 139.1, 139.2, 139.3, 139.6,
D13/139.7, 152, 162, 164, 184; D14/432,
D14/433, 434, 372

CPC H02J 7/0027; H02J 7/02; H02J 7/0044;
H02J 7/0045; H02J 7/342; H01R 13/20;
H01R 13/26; H01R 25/00; H01R 25/003;
H01M 10/44; H01M 10/46

See application file for complete search history.

(56) **References Cited**

U.S. PATENT DOCUMENTS

D664,094 S * 7/2012 Ruffner D13/138.2
D830,307 S * 10/2018 Liu D13/137.2
D838,245 S * 1/2019 Lin D13/137.2
D848,947 S * 5/2019 Liu D13/137.2
D855,571 S * 8/2019 Zeng D13/137.2

(Continued)

FOREIGN PATENT DOCUMENTS

CN 302612256 * 10/2013
CN 304716614 * 7/2018

(Continued)

OTHER PUBLICATIONS

“WIWU UA-303 Universal Plug Adapter Multi-function Travel Adapter Charger—White”, first accessed Sep. 13, 2021. TVC-Mall.com [https://www.tvc-mall.com/details/wiwu-ua-303-universal-plug-adapter-multi-function-travel-adapter-charger-white-sku660700003a.html] (Year: 2021).*

(Continued)

Primary Examiner — Rosemary K Tarcza

Assistant Examiner — Seth David Kumpf

(74) *Attorney, Agent, or Firm* — Prakash Nama; Global IP Services, PLLC

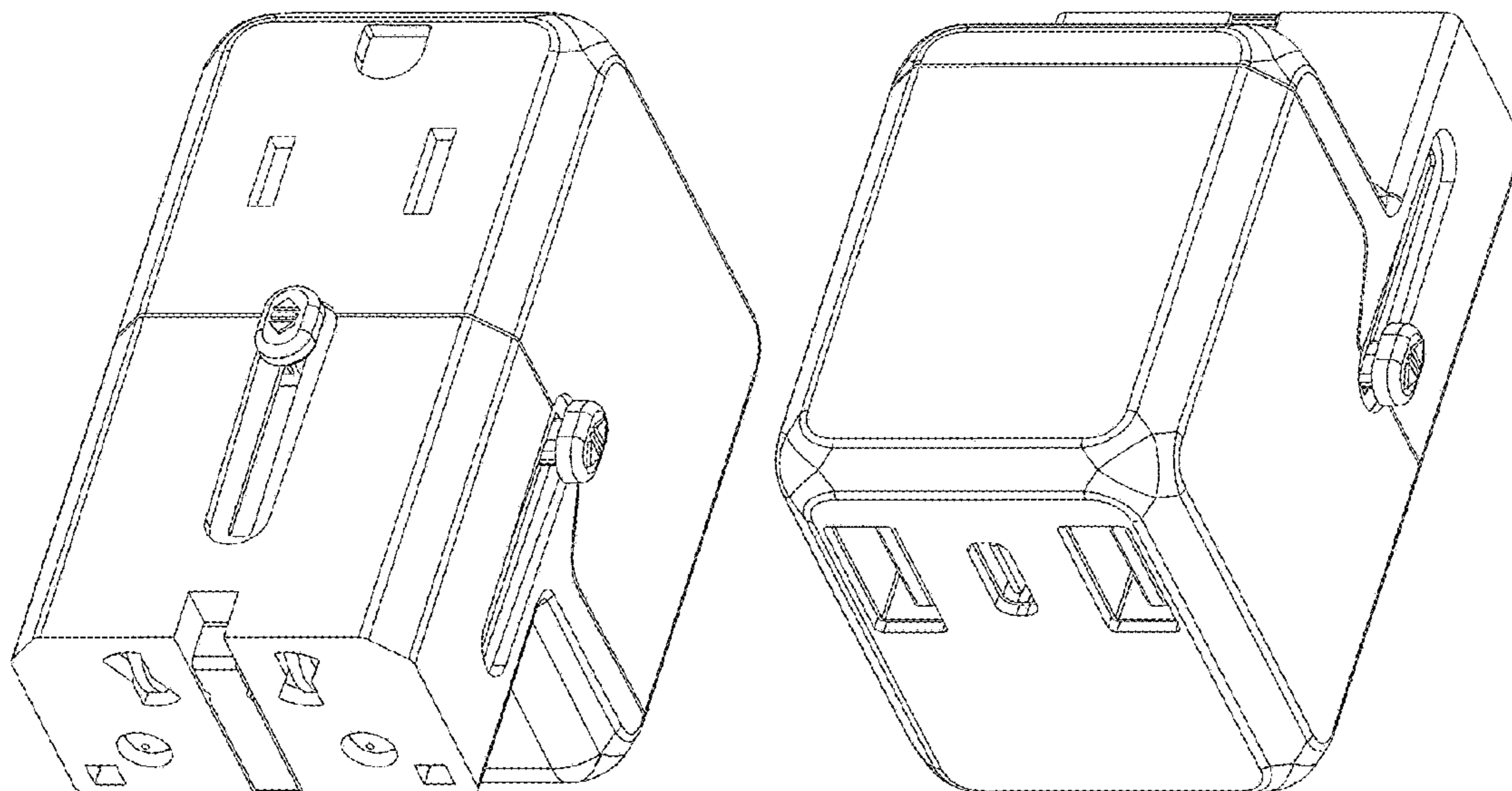
(57) **CLAIM**

The ornamental design for a universal plug and socket charger, as shown and described.

DESCRIPTION

FIG. 1 is a front elevational view of a universal plug and socket charger showing my new design; FIG. 2 is a rear elevational view thereof; FIG. 3 is a left side view thereof; FIG. 4 is a right side view thereof; FIG. 5 is a top plan view thereof; FIG. 6 is a bottom plan view thereof; FIG. 7 is a perspective view thereof; FIG. 8 is a second perspective view thereof; FIG. 9 is a third perspective view thereof; FIG. 10 is a fourth perspective view thereof; and, FIG. 11 is a fifth perspective view thereof. The broken lines illustrate portions of the universal plug and socket charger that form no part of the claimed design.

1 Claim, 11 Drawing Sheets



(56)

References Cited

U.S. PATENT DOCUMENTS

D863,223 S * 10/2019 Zeng D13/137.2
D892,055 S * 8/2020 Wang D13/137.2
D901,383 S * 11/2020 Pang D13/110

FOREIGN PATENT DOCUMENTS

GB 6104884 * 10/2020
GB 6114825 * 1/2021

OTHER PUBLICATIONS

“Universal plug adapters with 3 square pin, 3-way plug socket 13A 250V socket outlets travel adapter”, first accessed Sep. 13, 2021. GlobalSources.com [<https://www.globalsources.com/Universal-travel/Universal-plug-adapters-1173163300p.htm#1173163300>] (Year: 2021).*

* cited by examiner

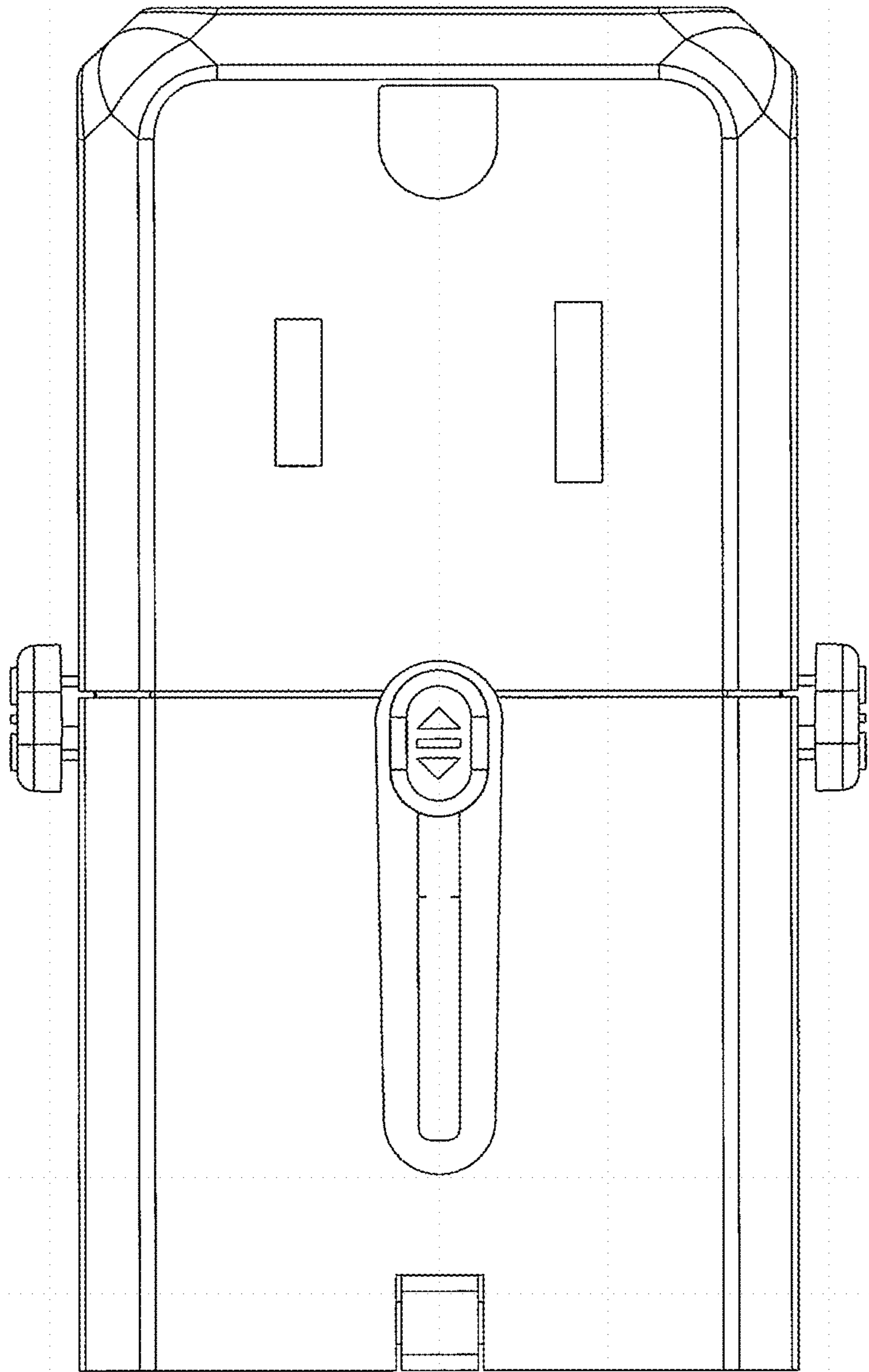


FIG. 1

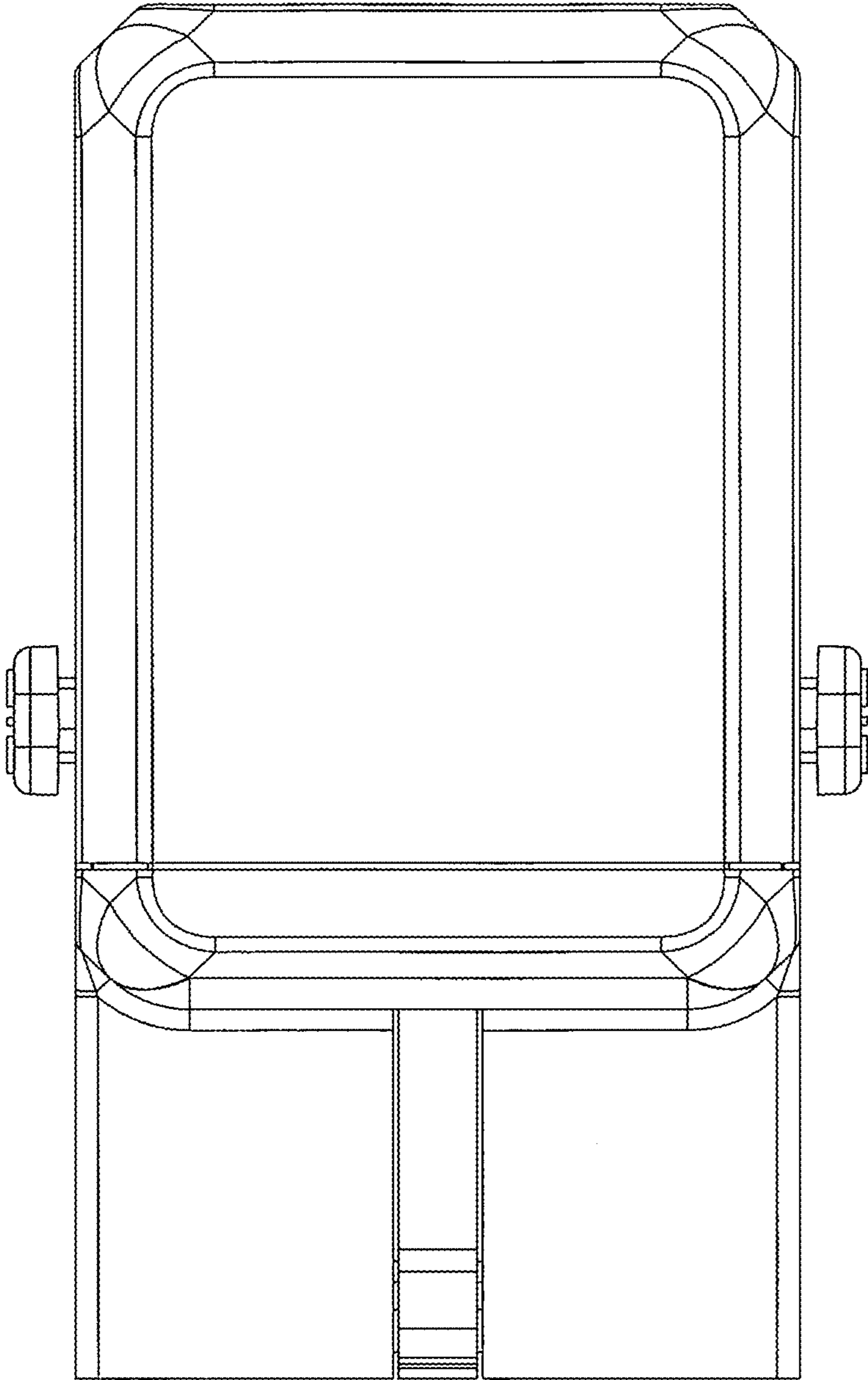


FIG. 2

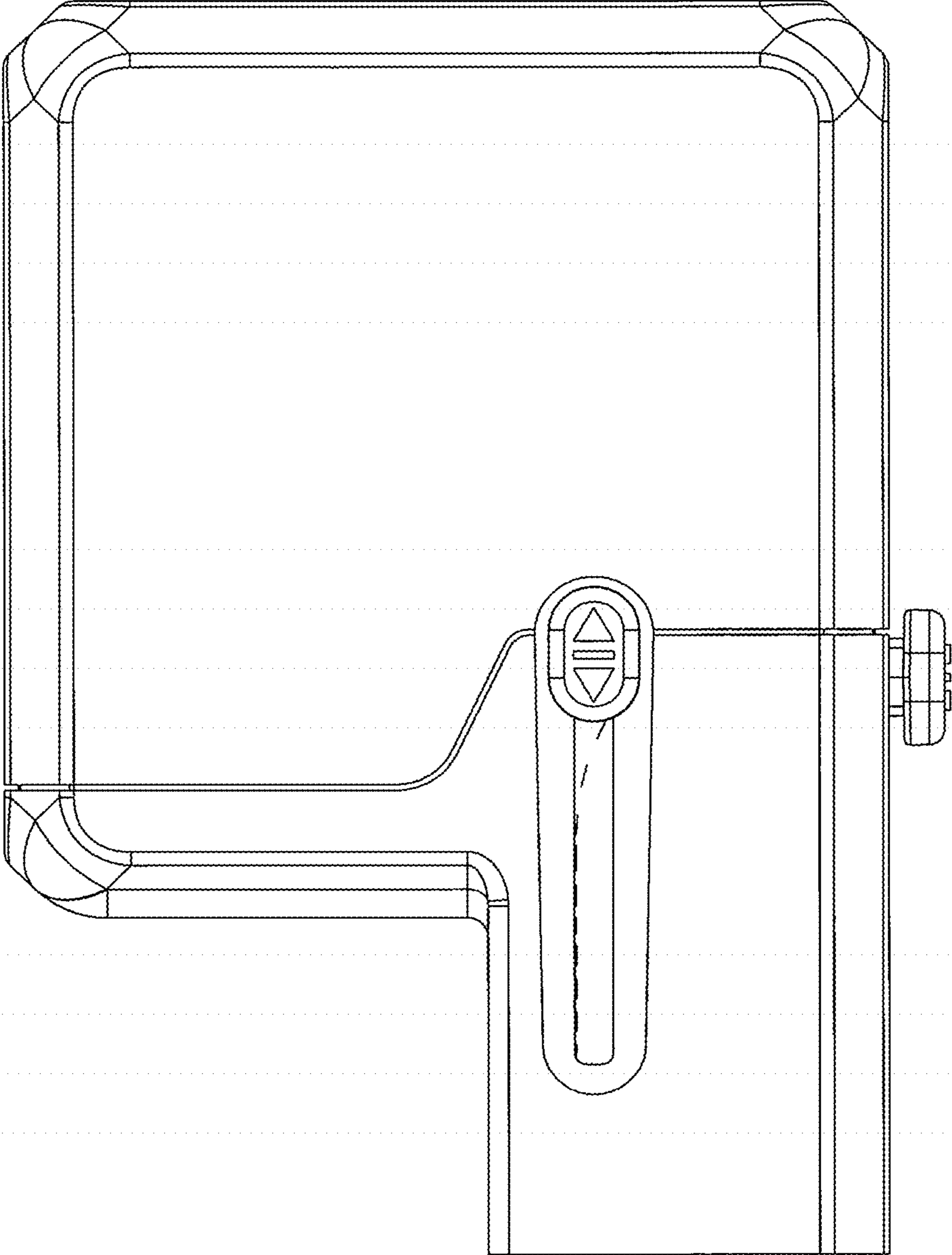


FIG. 3

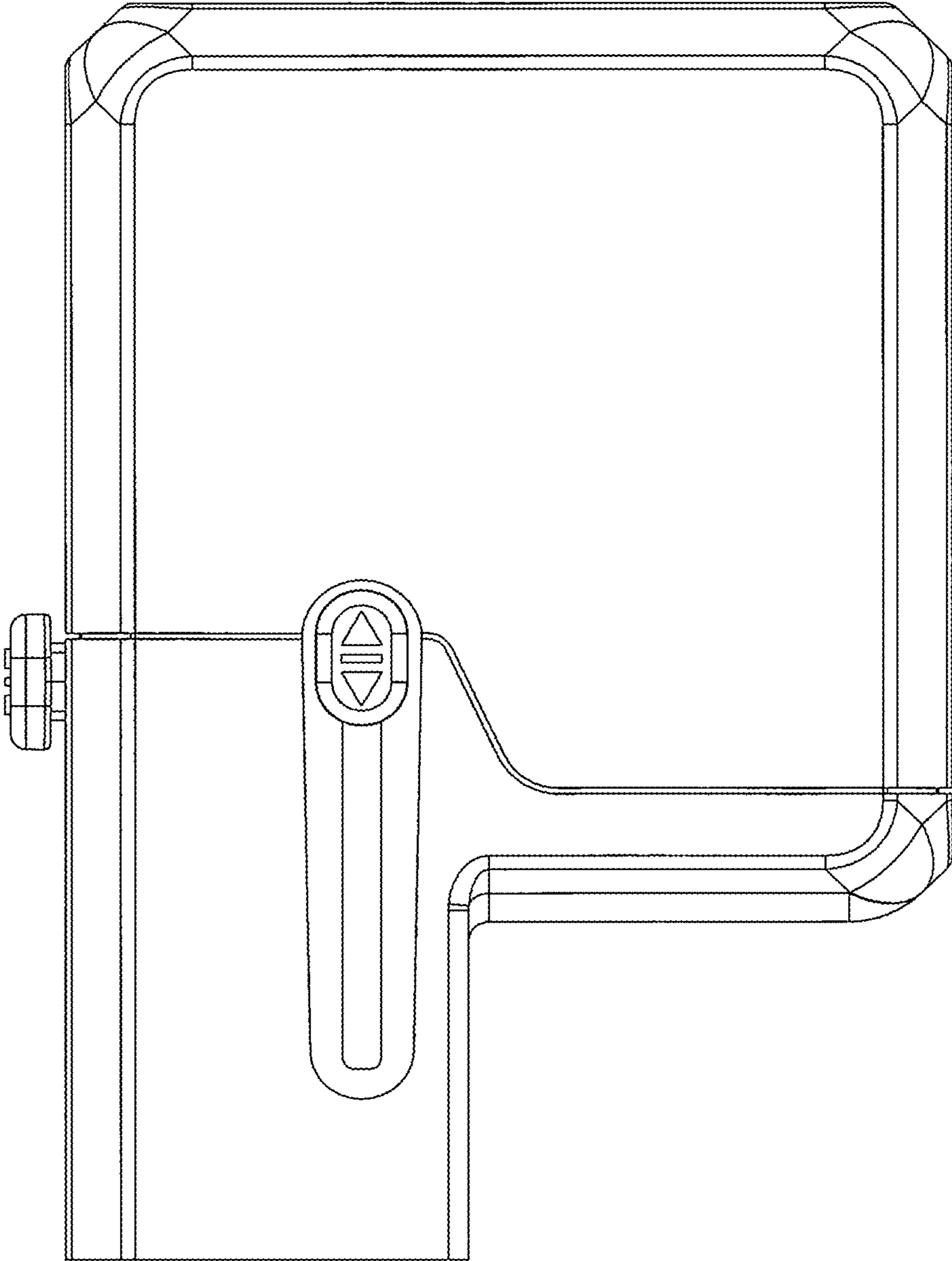


FIG. 4

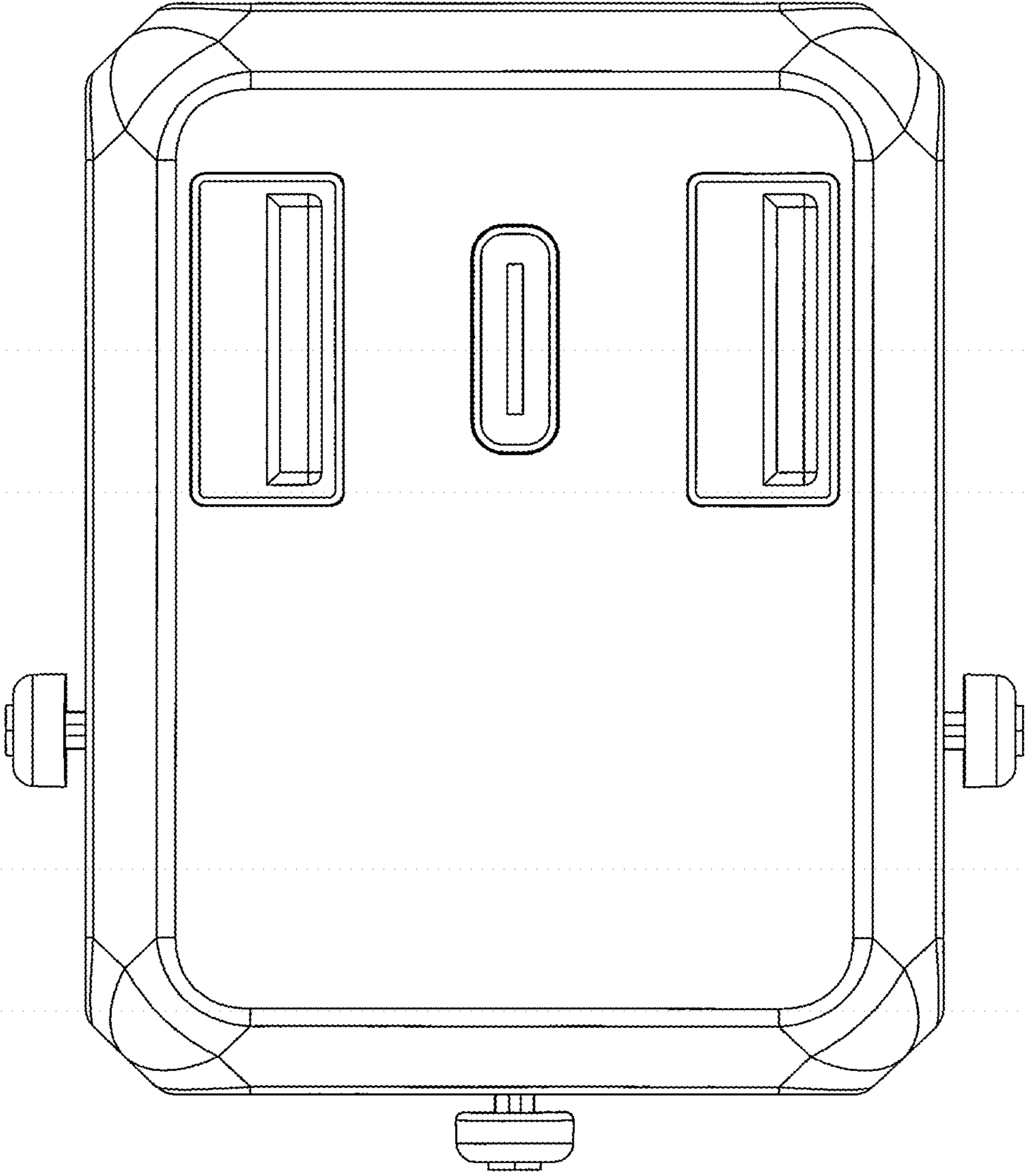


FIG. 5

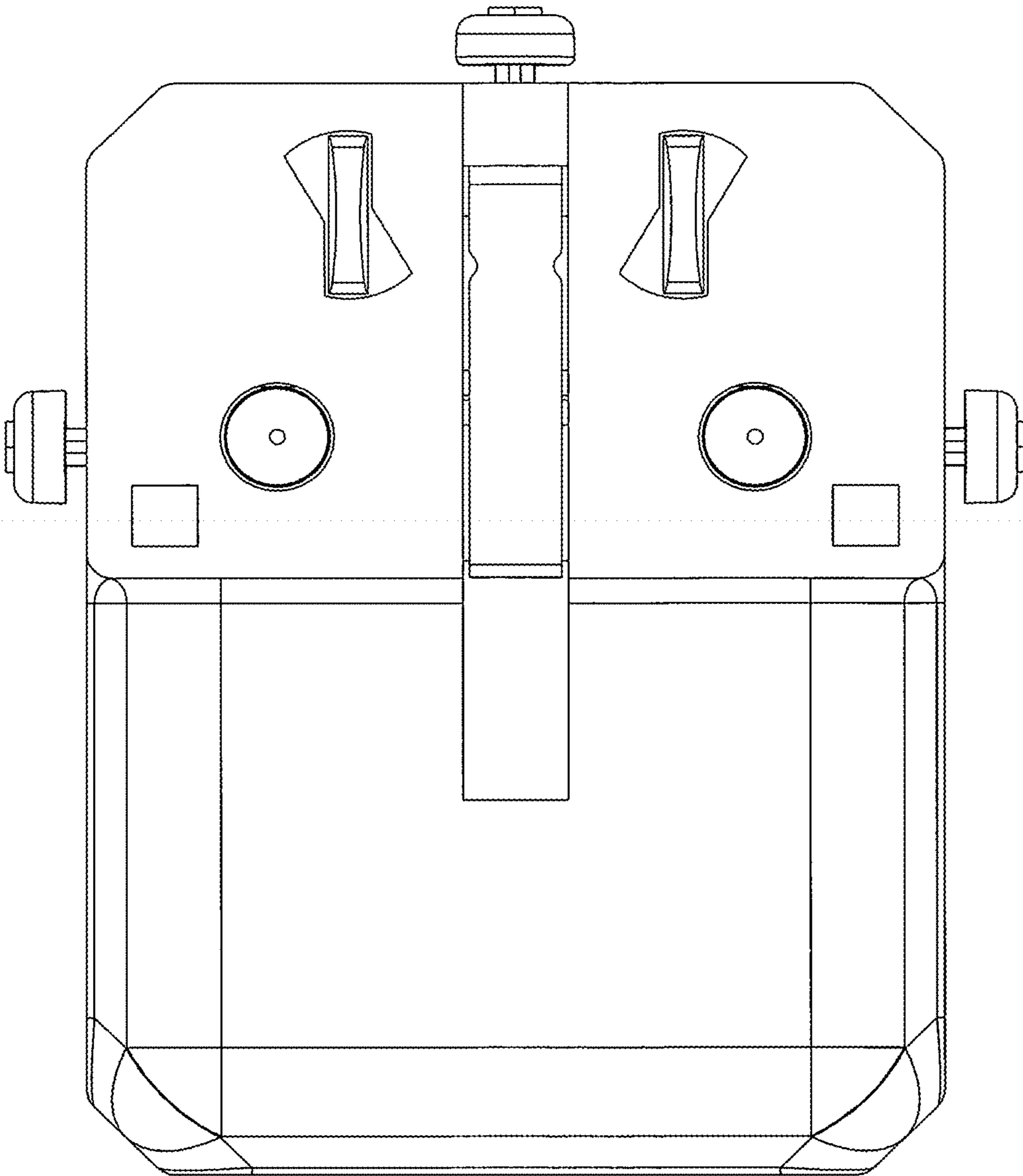


FIG. 6

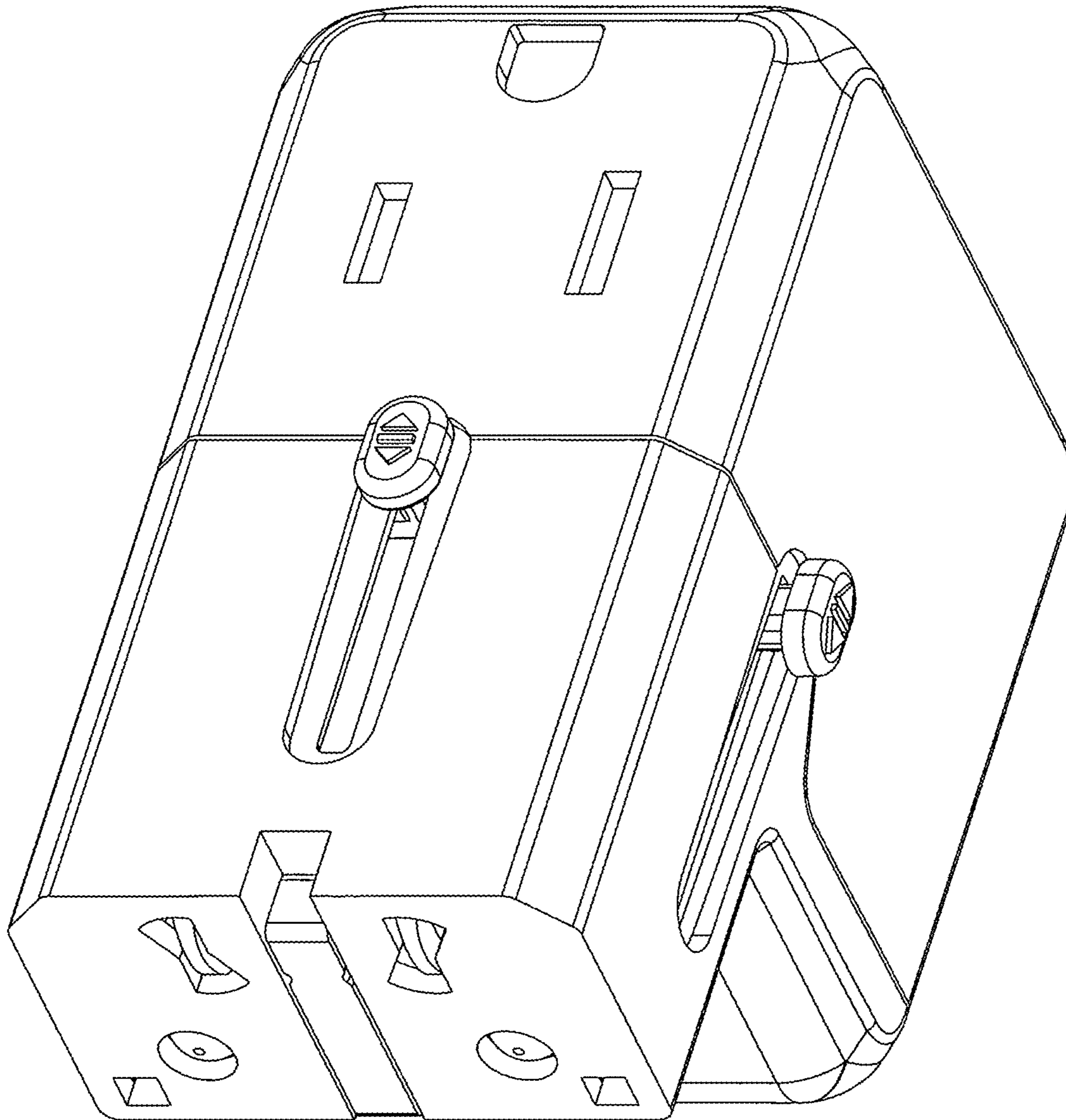


FIG. 7

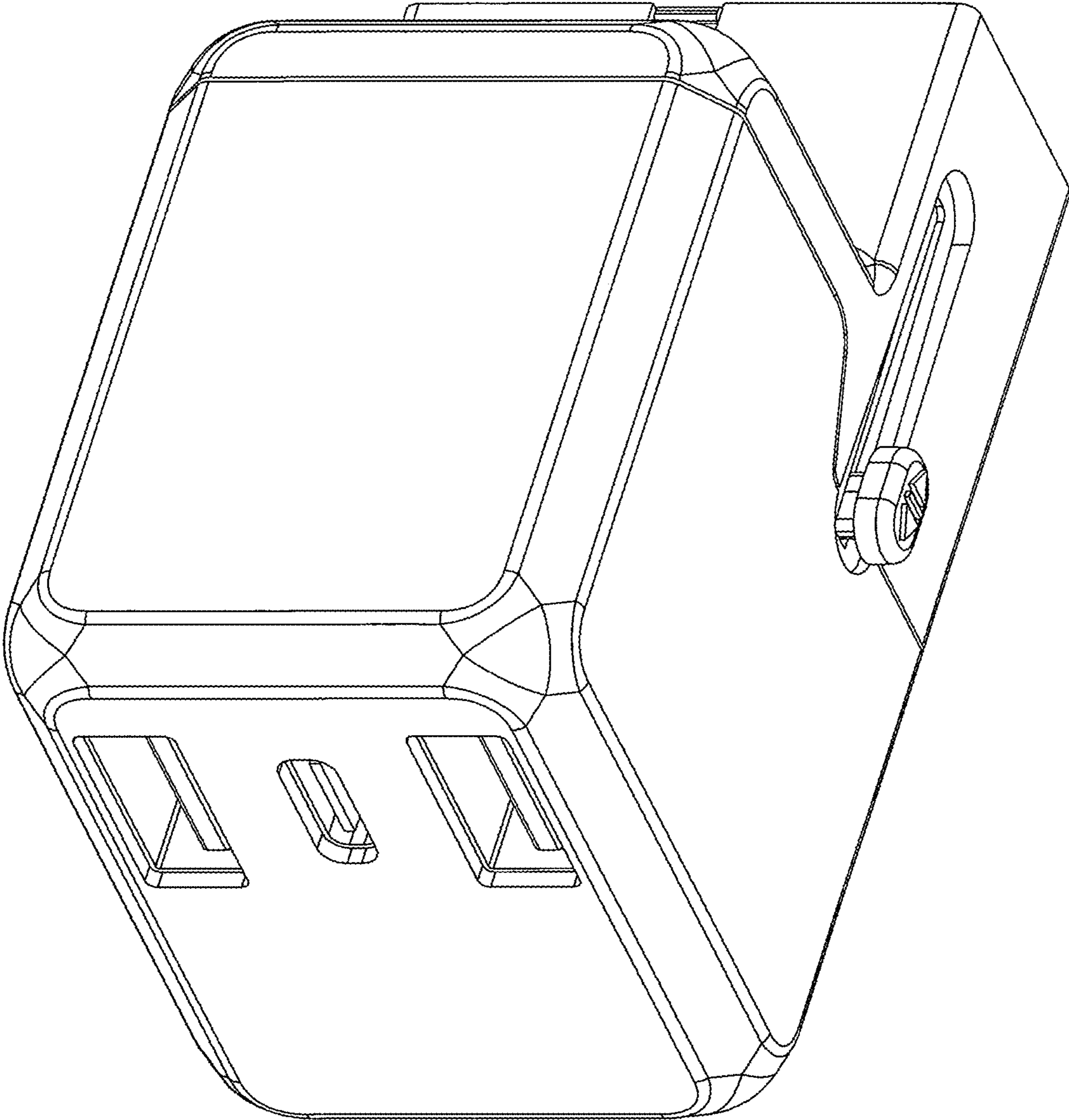


FIG. 8

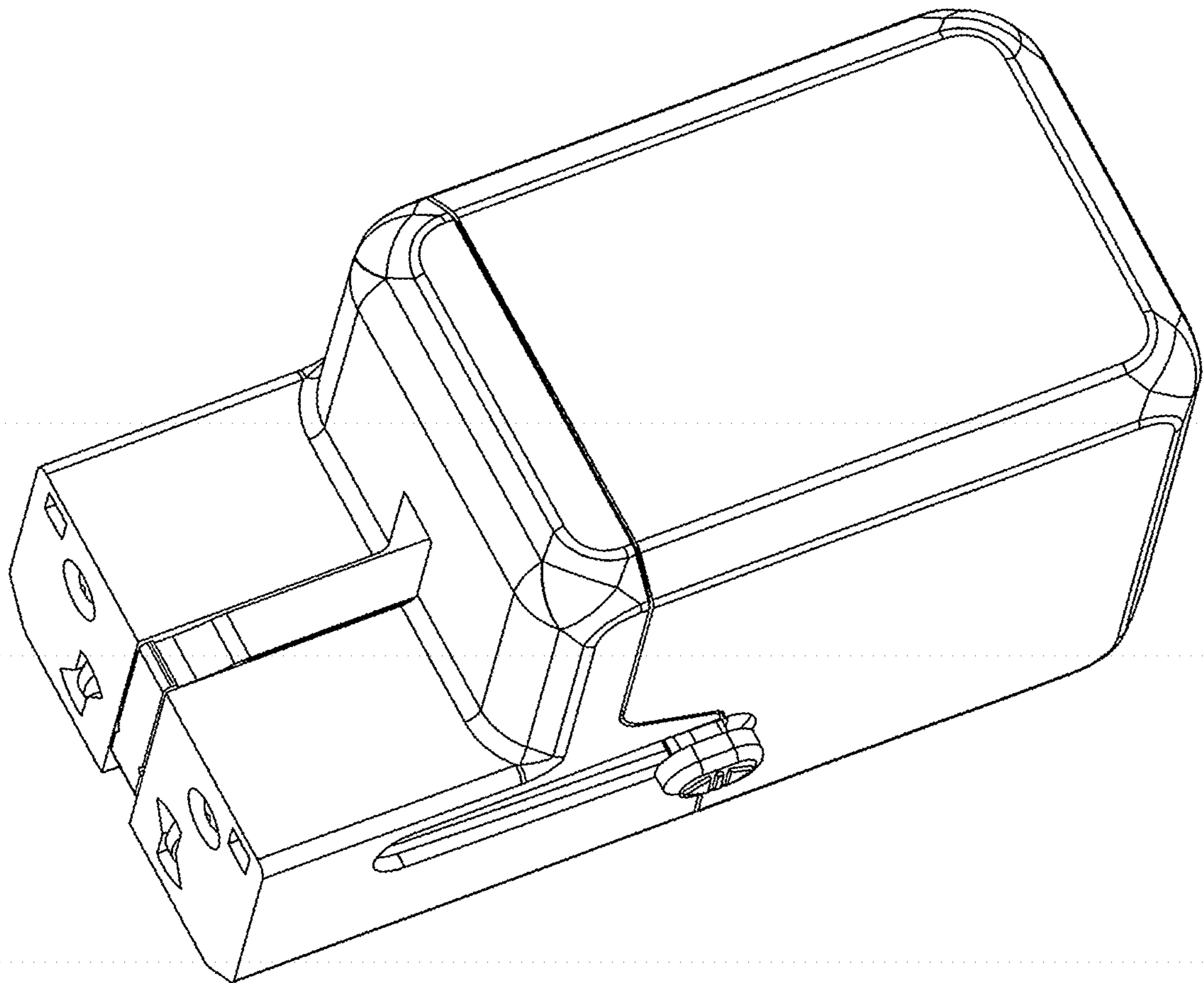


FIG. 9

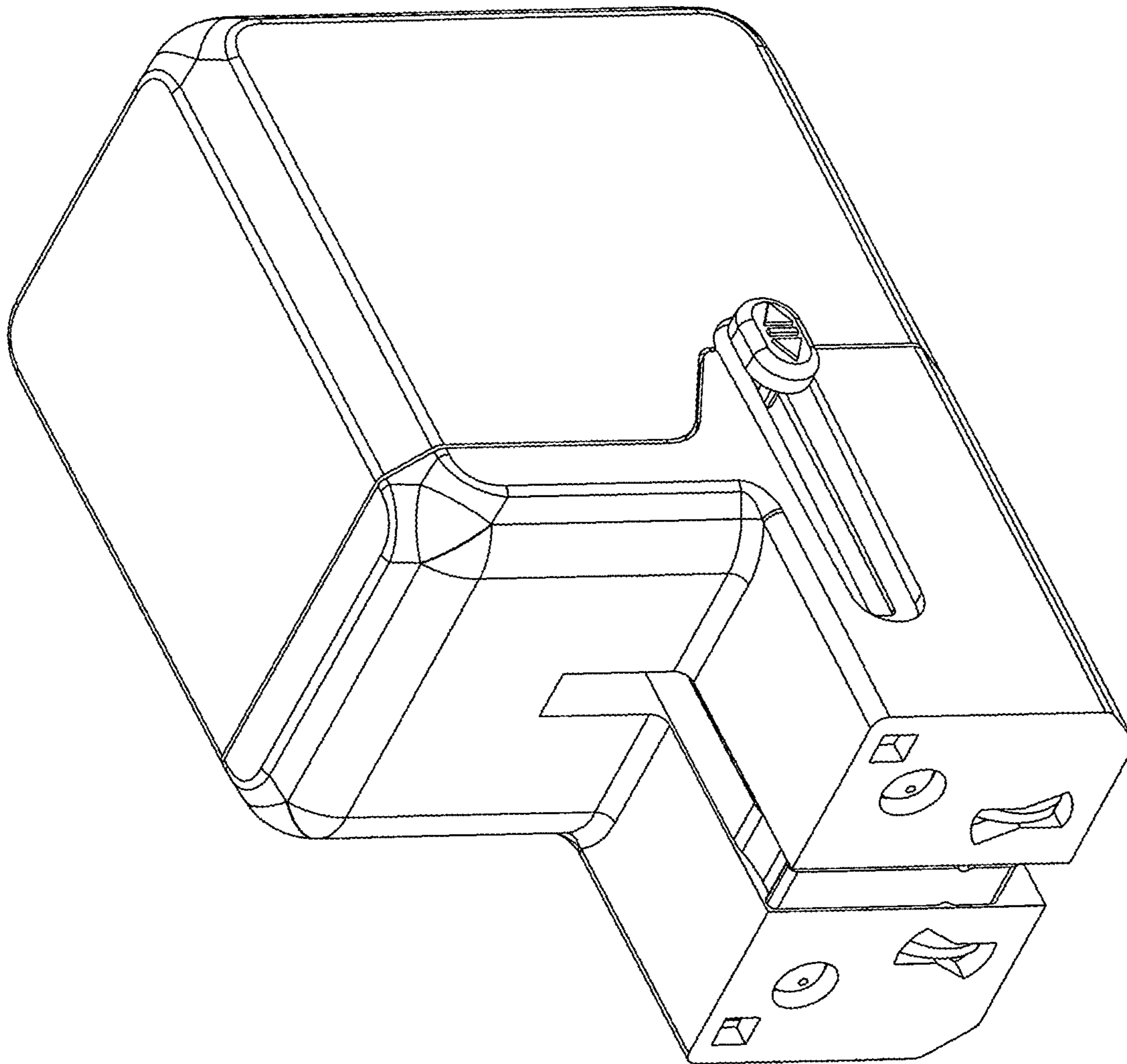


FIG. 10

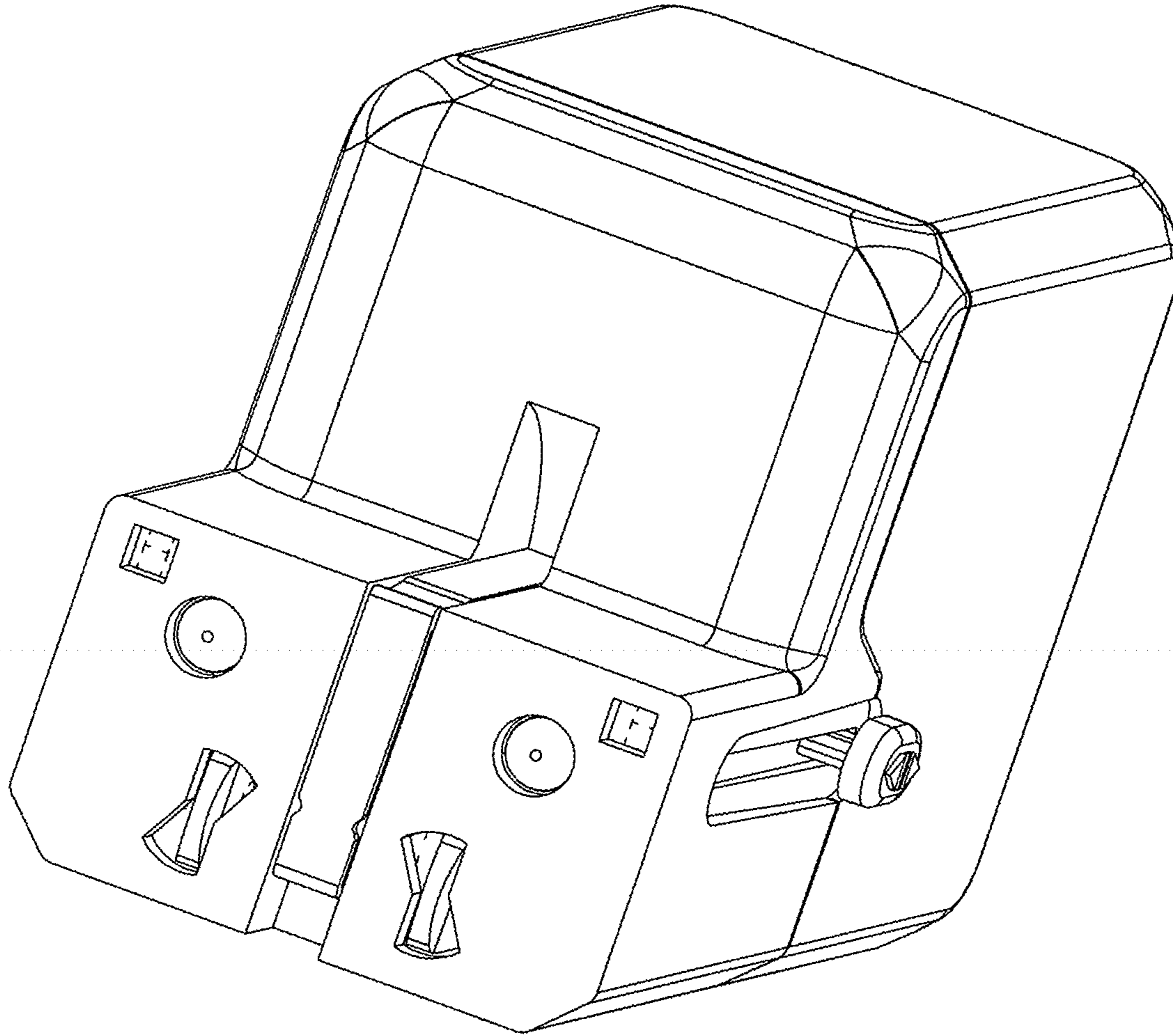


FIG. 11