



US00D953993S

(12) **United States Design Patent**
Lee

(10) **Patent No.:** **US D953,993 S**
(45) **Date of Patent:** **** Jun. 7, 2022**

(54) **EXTENSION CORD LOCK AND IN-LINE TAP ASSEMBLY**

3,924,914 A 12/1975 Banner
4,083,621 A 4/1978 Davidson et al.
4,095,871 A 6/1978 Holte
4,118,690 A 10/1978 Paynton
4,123,012 A 10/1978 Hough
(Continued)

(71) Applicant: **Multway Industries (HK) Ltd.**, Tsuen Wan (HK)

(72) Inventor: **Dominic Kan Nam Lee**, Sha Tin (HK)

FOREIGN PATENT DOCUMENTS

(73) Assignee: **Multway Industries (HK) Ltd.**, Hong Kong (HK)

DE 3343233 C2 7/1992

(**) Term: **15 Years**

OTHER PUBLICATIONS

(21) Appl. No.: **29/705,795**

36000 Pro Heavy Duty 5 Outlet Hub with Hexacore by 360 Electrical. Amazon. Oldest review date: Apr. 12, 2018. Retrieval date: Aug. 20, 2021. Retrieved from internet: <https://www.amazon.com/360-ELECTRICAL-36000-4DT6ES-360Pro-Outlet/dp/B076DDC8M2> (Year: 2018).*

(22) Filed: **Sep. 16, 2019**

(51) **LOC (13) Cl.** **13-03**

(52) **U.S. Cl.**
USPC **D13/137.2; D13/139.8**

(58) **Field of Classification Search**
USPC D13/137.1–137.4, 138.1, 138.2, D13/139.1–139.8, 146, 147, 154, 171, D13/173, 174, 184, 110; D14/432, 433
CPC .. H01R 13/639; H01R 13/6392; H01R 13/64; H01R 13/642; H01R 13/648; H01R 13/652; H01R 13/66; H01R 13/6666; H01R 13/6683; H01R 13/68; H01R 13/713; H01R 25/00; H01R 25/006

(Continued)

Primary Examiner — Eric L Goodman
Assistant Examiner — Lee D. Starr
(74) *Attorney, Agent, or Firm* — Frost Brown Todd LLC

See application file for complete search history.

(57) **CLAIM**

The ornamental design for an extension cord lock and in-line tap assembly, as shown and described.

DESCRIPTION

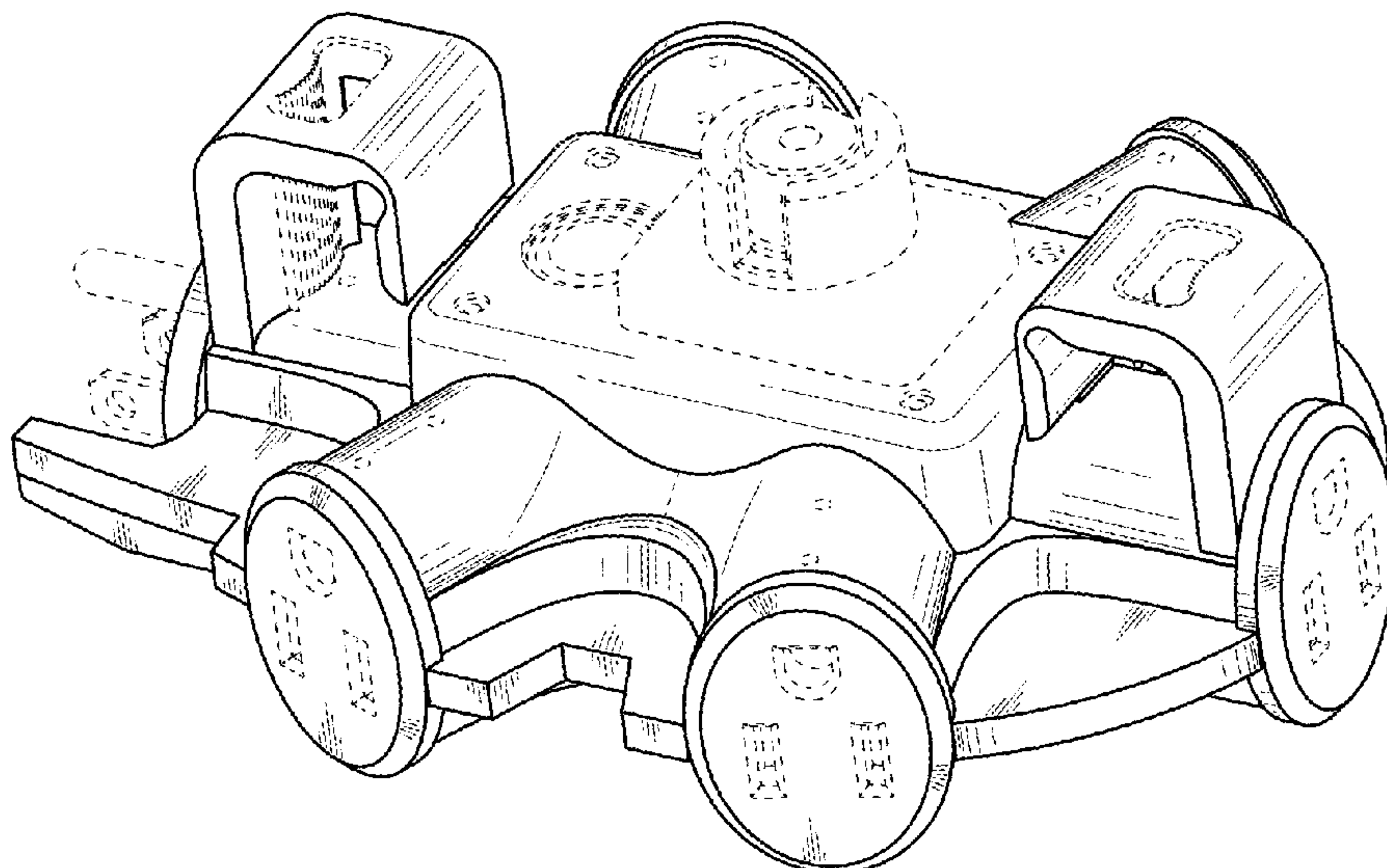
FIG. 1 is a top perspective view of an extension cord lock and in-line tap assembly, showing my new design; FIG. 2 is a front elevational view thereof; FIG. 3 is a rear elevational view thereof; FIG. 4 is a left elevational view thereof; FIG. 5 is a right elevational view thereof; FIG. 6 is a top plan view thereof; and, FIG. 7 is a bottom plan view thereof. The dash-dash broken lines in the drawings depict portions of the extension cord lock and in-line tap assembly that form no part of the claimed design.

(56) **References Cited**

U.S. PATENT DOCUMENTS

1,935,771 A 11/1933 Feurstein et al.
D126,590 S 4/1941 Lewin
D164,338 S 8/1951 Tyler
D179,081 S 10/1956 Hudson
3,290,453 A 12/1966 Jensen
3,383,639 A 5/1968 Anderson et al.
3,520,988 A 7/1970 Ballock, Sr.
3,609,638 A 9/1971 Darrey
3,781,761 A 12/1973 Harwood
3,922,055 A 11/1975 McGregor

1 Claim, 5 Drawing Sheets



(56)

References Cited

U.S. PATENT DOCUMENTS

D251,293 S 3/1979 Trueblood
 4,183,603 A 1/1980 Donarummo
 4,500,150 A 2/1985 Leibensperger et al.
 4,504,106 A 3/1985 Fechter
 D285,552 S 9/1986 Schwartz
 D285,788 S 9/1986 Rapp et al.
 4,609,171 A 9/1986 Matsui
 4,610,494 A 9/1986 Schaubert
 4,659,161 A 4/1987 Holcomb
 4,669,688 A 6/1987 Itoh et al.
 4,671,597 A 6/1987 Grill
 D294,487 S 3/1988 Bannigan
 4,764,128 A 8/1988 Cheng
 4,778,125 A 10/1988 Hu
 4,802,055 A 1/1989 Beckerman
 D301,576 S 6/1989 Wang
 D315,141 S 3/1991 Hames
 5,004,435 A 4/1991 Jammet
 5,071,367 A 12/1991 Luu
 D325,723 S 4/1992 Gary et al.
 D327,873 S 7/1992 Luu
 5,207,594 A 5/1993 Olson
 5,255,866 A 10/1993 Campolo
 5,336,106 A 8/1994 Osten
 D350,940 S 9/1994 Rossman et al.
 5,390,876 A 2/1995 Hatano et al.
 D357,460 S 4/1995 Lovett
 5,409,397 A 4/1995 Karman
 5,423,693 A 6/1995 Light
 5,443,400 A 8/1995 Brown et al.
 5,514,004 A 5/1996 Swanson
 D372,702 S 8/1996 Sanner
 5,562,488 A 10/1996 Neiser et al.
 5,582,524 A 12/1996 Sanner et al.
 D389,459 S 1/1998 Byrne
 D397,086 S 8/1998 Lin
 5,795,168 A 8/1998 Duhe
 D400,175 S 10/1998 Okamoto
 5,888,105 A 3/1999 Brown et al.
 D408,355 S 4/1999 Welsh et al.
 D409,146 S 5/1999 Fladung
 5,931,702 A 8/1999 Fladung
 D415,105 S 10/1999 Lee
 6,004,157 A 12/1999 Glass
 D425,638 S 5/2000 Yuen
 6,056,580 A 5/2000 Cross et al.
 D436,345 S 1/2001 Lentine
 6,179,665 B1 1/2001 Rossman et al.
 D440,203 S 4/2001 Ewing et al.
 D446,502 S 8/2001 Wen
 6,443,403 B1 9/2002 Page et al.
 6,443,409 B1 9/2002 Zanzucchi

6,666,712 B1 12/2003 Kramer
 D486,126 S 2/2004 Aromin
 D487,726 S 3/2004 Okuda
 D493,426 S 7/2004 Strayer
 6,929,514 B1 8/2005 Chuang
 D540,257 S 4/2007 Ivanova et al.
 D549,650 S 8/2007 Russell et al.
 D559,184 S 1/2008 Russell et al.
 D562,240 S * 2/2008 Lee D13/137.2
 7,371,121 B1 5/2008 Lee
 D577,679 S 9/2008 Lee
 7,442,090 B2 10/2008 Mori et al.
 D599,290 S 9/2009 Lee
 D614,134 S * 4/2010 Chen D13/137.2
 D618,617 S * 6/2010 Lee D13/137.2
 7,862,385 B2 1/2011 Lee
 7,892,036 B2 2/2011 Lee
 7,988,494 B2 8/2011 Lee
 D736,710 S * 8/2015 Lin D13/137.2
 D789,891 S * 6/2017 Eshelman D13/137.2
 D790,459 S * 6/2017 Eshelman D13/110
 D872,697 S * 1/2020 Yu D13/137.4
 D929,942 S * 9/2021 Lin D13/137.2
 D929,943 S * 9/2021 Lin D13/137.2
 2010/0022106 A1 * 1/2010 Lee H01R 25/003
 439/92
 2010/0159733 A1 * 6/2010 Lee H01R 13/70
 439/369
 2011/0097923 A1 4/2011 Lee

OTHER PUBLICATIONS

Yellow Jacket 827362 Outdoor 15-Amp Power Adapter with 5 Outlets. Amazon. Oldest review date: Jun. 1, 2014. Retrieval date: Aug. 20, 2021. Retrieved from internet: <https://www.amazon.com/Yellow-Jacket-827362-Outdoor-Adapter/dp/B000HJDB9Q> (Year: 2014).*

Ridgid 36009 5-Outlet Surge Protected Polycarbonate Indoor/Outdoor Power Hub. Amazon. Oldest review date: Dec. 3, 2019. Retrieval date: Aug. 20, 2021. Retrieved from internet: <https://www.amazon.com/Ridgid-36009-5-Outlet-Protected-Polycarbonate/dp/B01GEZWY6C> (Year: 2019).*

Prime 5-outlet Outdoor Power Hub with 2 USB ports. sportsmansguide.com. Oldest review date: Jan. 2021. Retrieval date: Aug. 20, 2021. Retrieved from internet: <https://www.sportsmansguide.com/product/index/prime-5-outlet-outdoor-power-hub-with-2-usb-ports?a=2209315> (Year: 2021).*

Design U.S. Appl. No. 29/703,903, entitled "3-Way Electrical Tap," filed Aug. 30, 2019.

Design U.S. Appl. No. 29/703,905, entitled "3-Way Electrical Tap," filed Aug. 30, 2019.

* cited by examiner

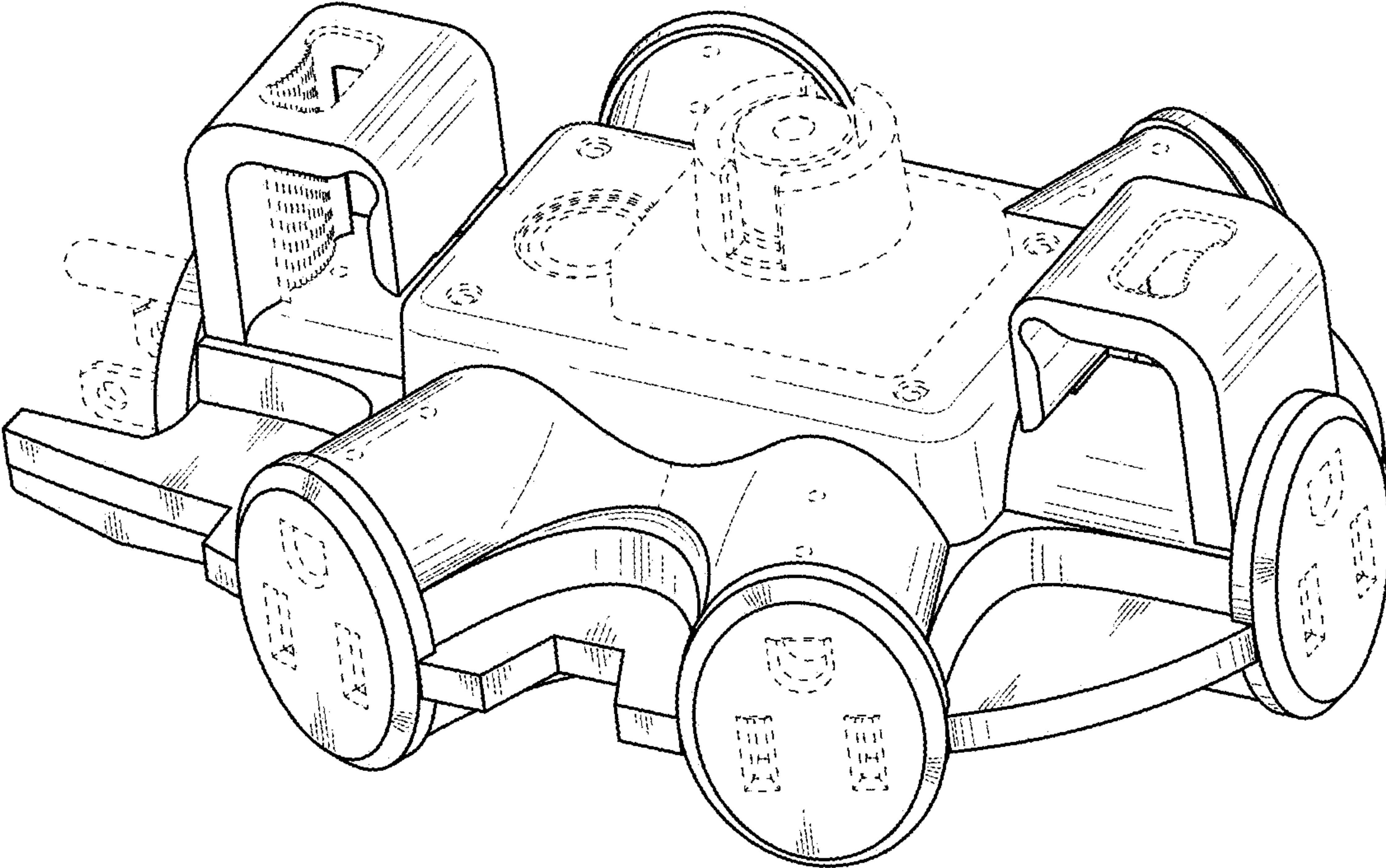


FIG. 1

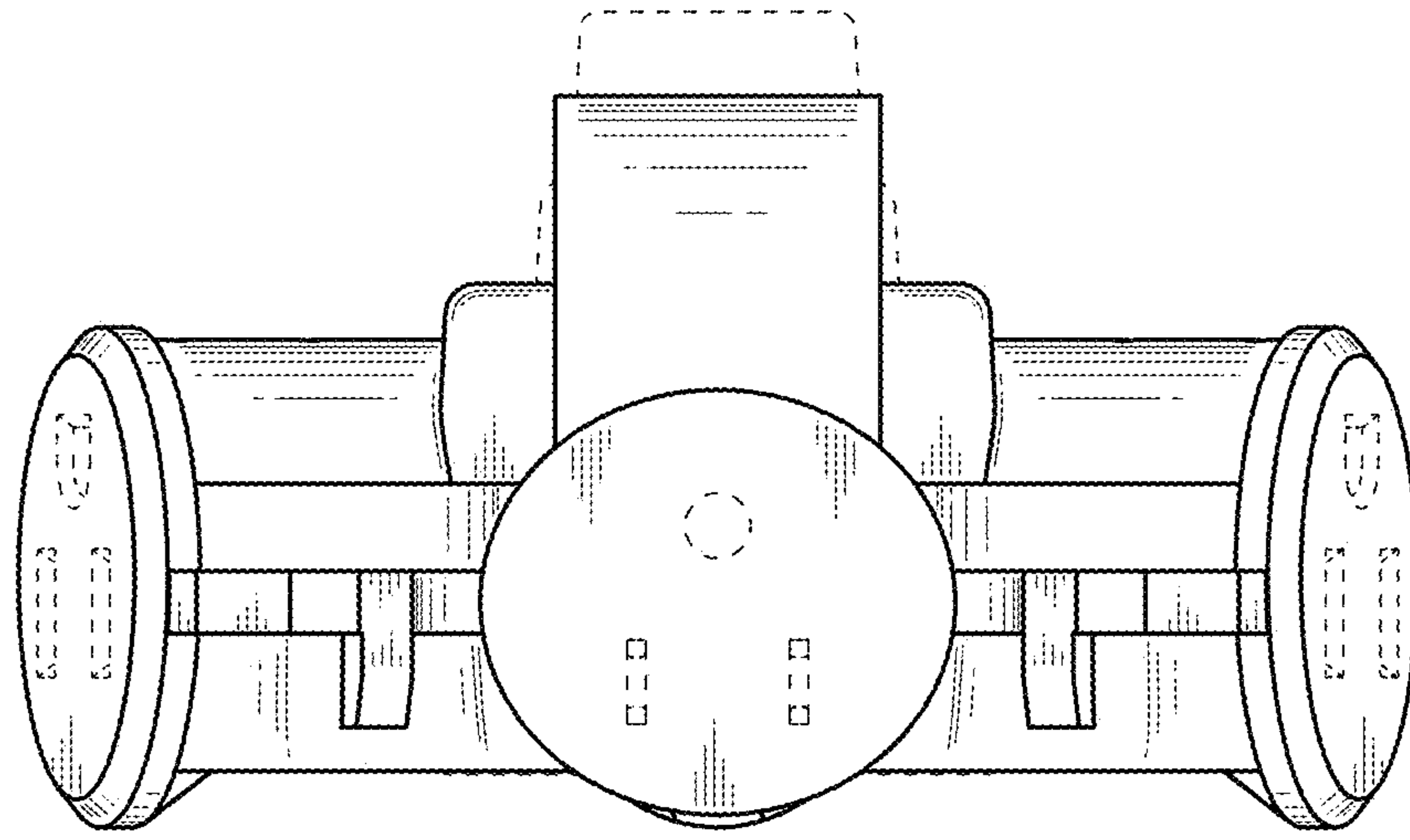


FIG. 2

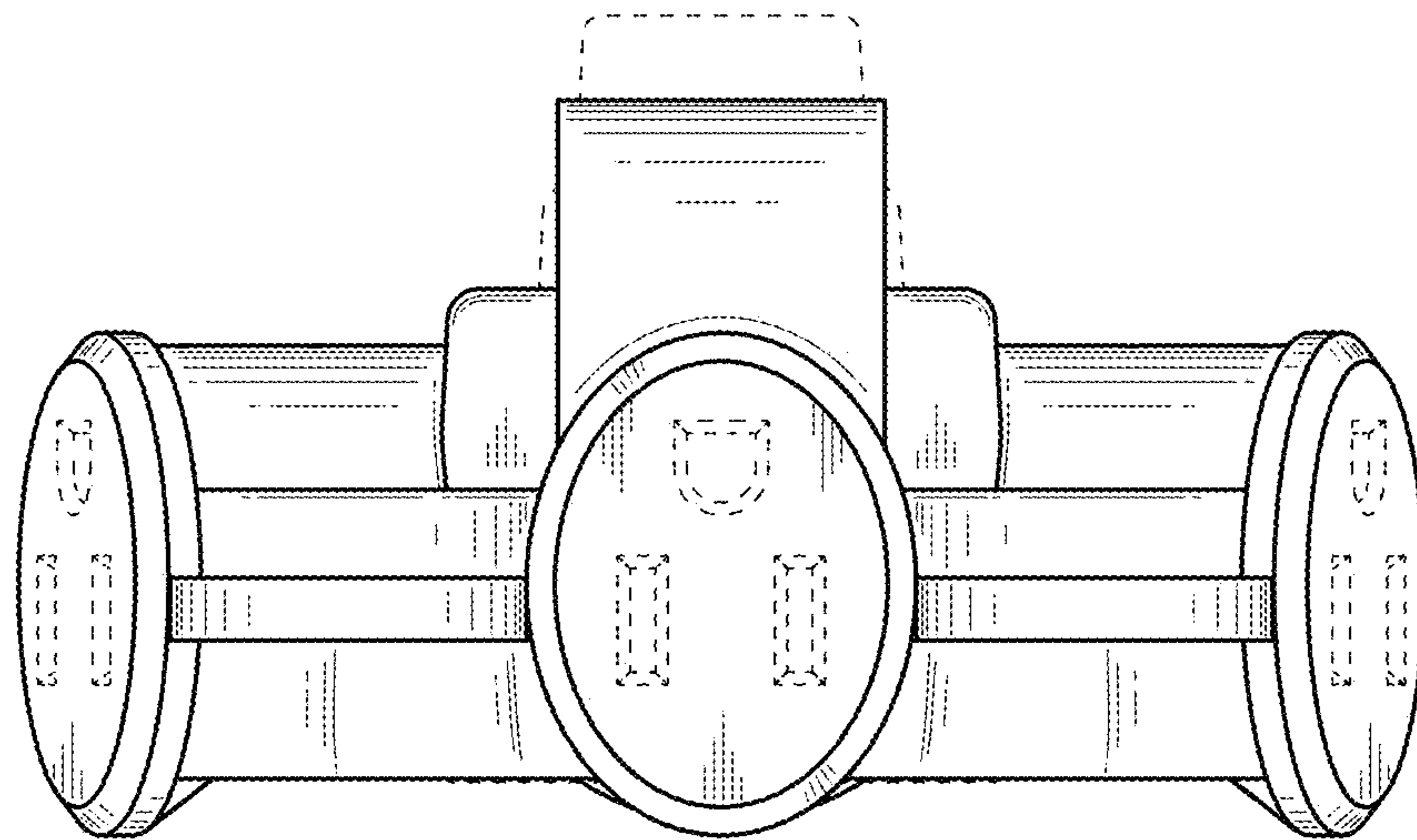


FIG. 3

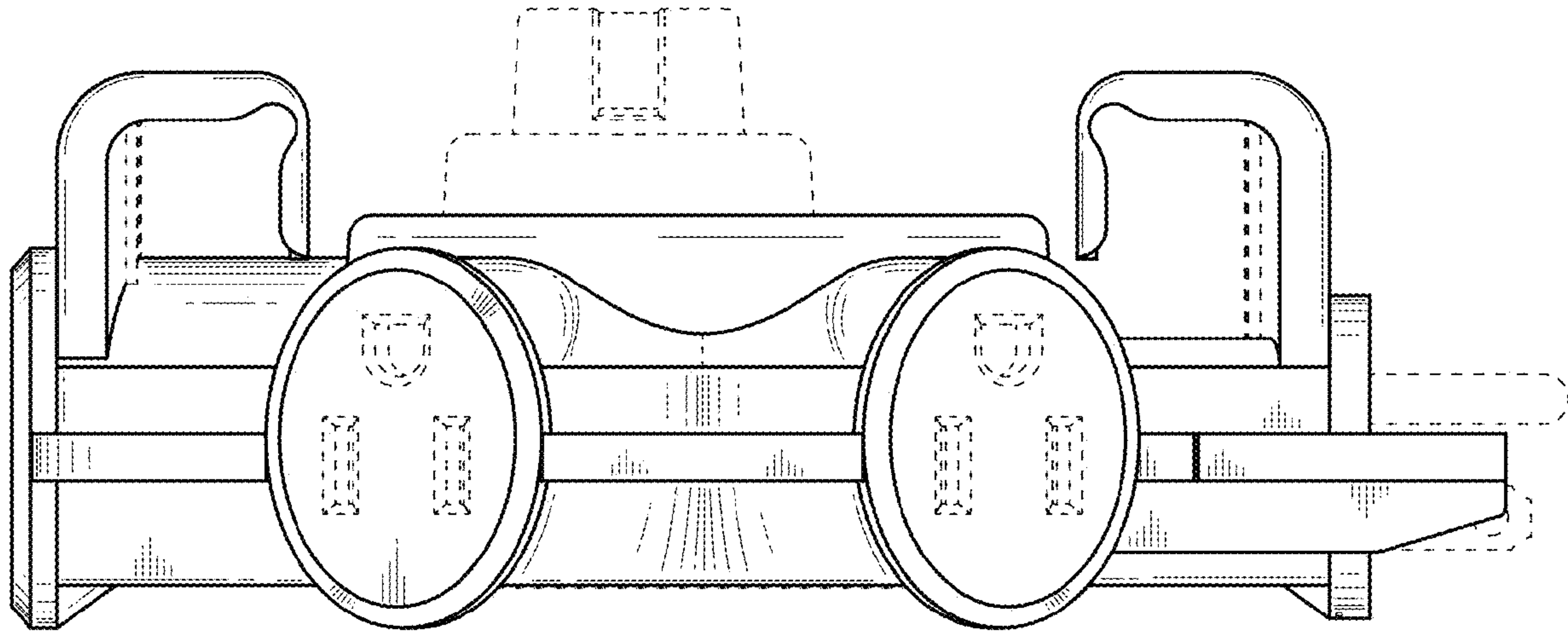


FIG. 4

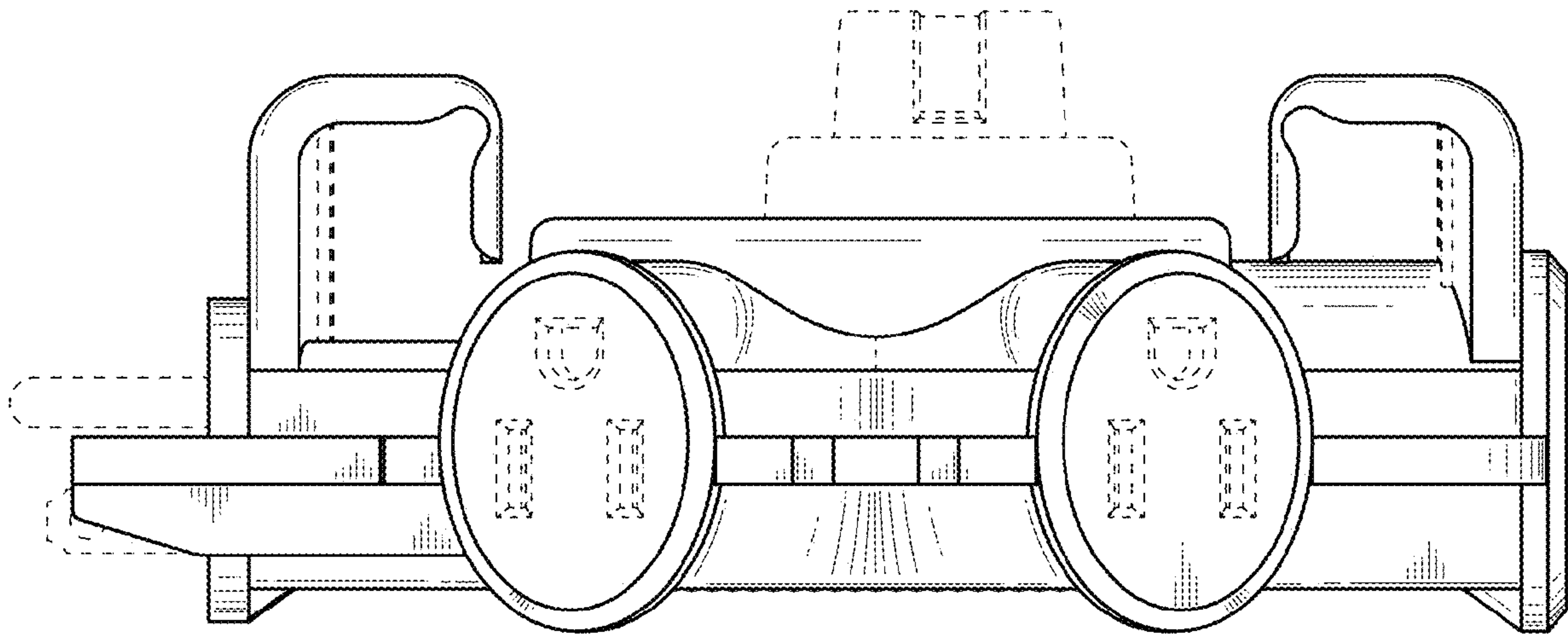


FIG. 5

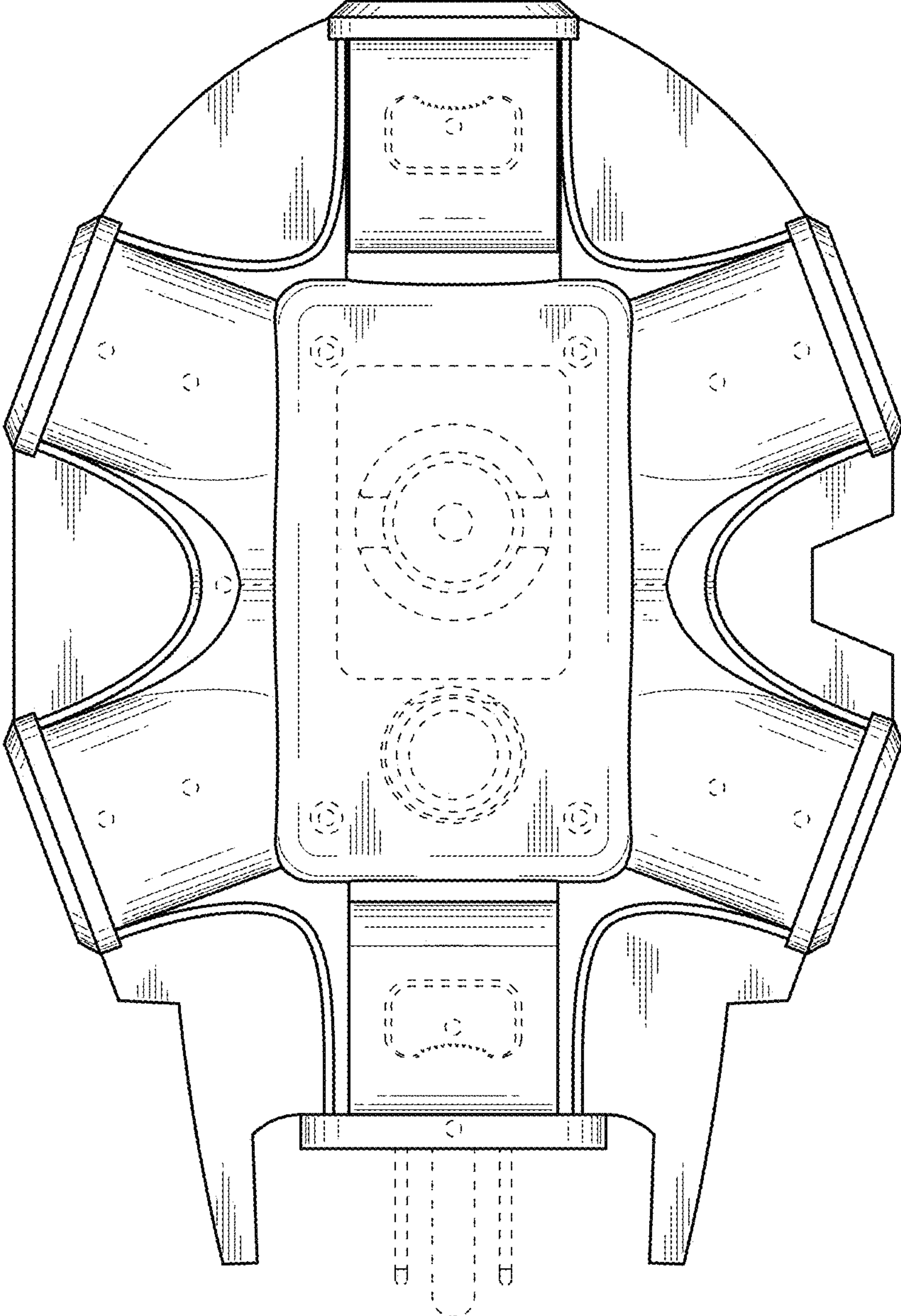


FIG. 6

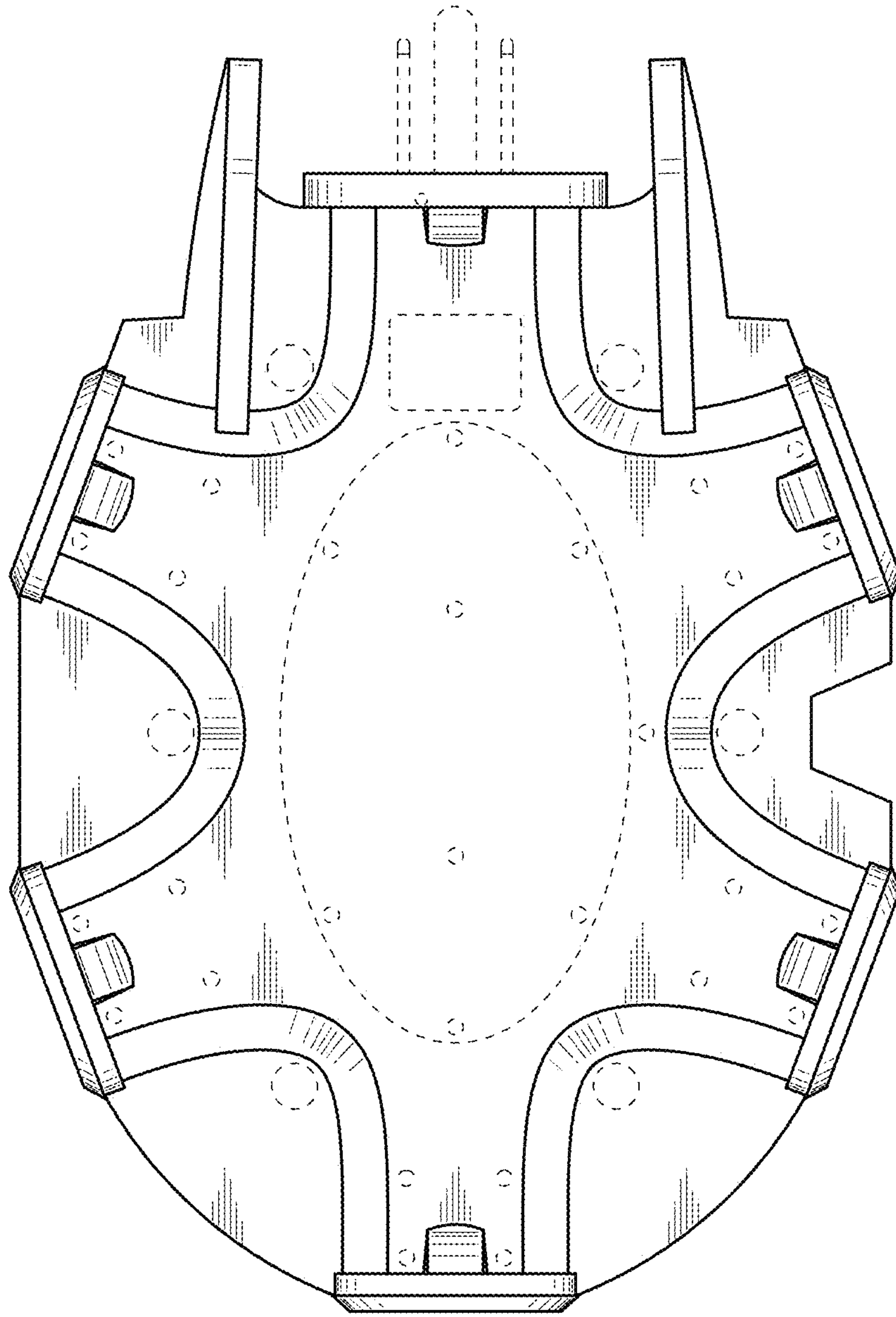


FIG. 7