



US00D953992S

(12) **United States Design Patent**  
**Dan et al.**

(10) **Patent No.:** **US D953,992 S**  
(45) **Date of Patent:** **\*\* Jun. 7, 2022**

(54) **ADAPTER FOR CONNECTING A POUCH SPOUT TO A TUBE CONNECTOR**

(71) Applicant: **FUJI SEAL INTERNATIONAL, INC., Osaka (JP)**

(72) Inventors: **Yuma Dan, Osaka (JP); Hiroki Kanemitsu, Osaka (JP)**

(73) Assignee: **FUJI SEAL INTERNATIONAL, INC., Osaka (JP)**

(\*\*) Term: **15 Years**

(21) Appl. No.: **35/511,199**

(22) Filed: **Jul. 21, 2020**

(80) **Hague Agreement Data**

Int. Filing Date: **Jul. 21, 2020**

Int. Reg. No.: **DM/209468**

Int. Reg. Date: **Jul. 21, 2020**

Int. Reg. Pub. Date: **Jan. 22, 2021**

(51) **LOC (13) Cl.** ..... **13-03**

(52) **U.S. Cl.**  
USPC ..... **D13/133**

(58) **Field of Classification Search**  
USPC ..... D13/133, 154; D16/242  
CPC ..... F16L 37/144; F16L 37/0987  
See application file for complete search history.

(56) **References Cited**

**U.S. PATENT DOCUMENTS**

- 4,561,682 A \* 12/1985 Tisserat ..... F16L 37/144  
285/305
- 4,601,497 A \* 7/1986 Bartholomew ..... F16L 37/0987  
285/319
- D452,214 S \* 12/2001 Vieno ..... D13/133
- D496,908 S \* 10/2004 Ihde ..... D13/133
- D572,661 S \* 7/2008 En Lin ..... D13/133
- D743,891 S \* 11/2015 Shaw ..... D13/133
- D810,685 S \* 2/2018 Watkins ..... D13/133

- D834,532 S \* 11/2018 Maroney ..... D13/154
- D837,744 S \* 1/2019 Maroney ..... D13/154
- D839,213 S \* 1/2019 Maroney ..... D13/154
- D846,623 S \* 4/2019 Siminoff ..... D16/242
- D893,428 S \* 8/2020 Daoust ..... D13/133
- D896,758 S \* 9/2020 Watkins ..... D13/133
- D931,217 S \* 9/2021 Kusano ..... D13/133

**OTHER PUBLICATIONS**

“Japan region . . . ” reference dated Jan. 15, 2022 on the internet at: <https://www.fujiseal.com/en/interview/pouch.html>.\*

“Matte Plastic . . . ” reference dated Jan. 15, 2022 on the internet at: <https://qq-studio.com/products/matte-plastic-stand-pouch-with-top-flip-cap-spout>.\*

“Shark Bite . . . ” reference dated Jan. 15, 2022 on the internet at: [https://www.lowes.com/pd/SharkBite-1-4-in-Push-to-Connect-x-1-4-in-Compression-dia-Female-Adapter-Push-Fitting/1000281981?cm\\_mmc=shp\\_-c\\_-prd\\_-plb\\_-ggl\\_-LIA\\_PLB\\_142\\_Pipe-Fittings\\_-1000281981\\_-local\\_-0\\_-0&ds\\_rl=1286981&gclid=EAlalQobChMxLDr0OW79QIVGvnlCh2OUQ04EAkyBiABEglUD\\_D\\_BwE&gclsrc=aw.ds](https://www.lowes.com/pd/SharkBite-1-4-in-Push-to-Connect-x-1-4-in-Compression-dia-Female-Adapter-Push-Fitting/1000281981?cm_mmc=shp_-c_-prd_-plb_-ggl_-LIA_PLB_142_Pipe-Fittings_-1000281981_-local_-0_-0&ds_rl=1286981&gclid=EAlalQobChMxLDr0OW79QIVGvnlCh2OUQ04EAkyBiABEglUD_D_BwE&gclsrc=aw.ds).\*

(Continued)

*Primary Examiner* — Rhea Shields

(74) *Attorney, Agent, or Firm* — Oliff PLC

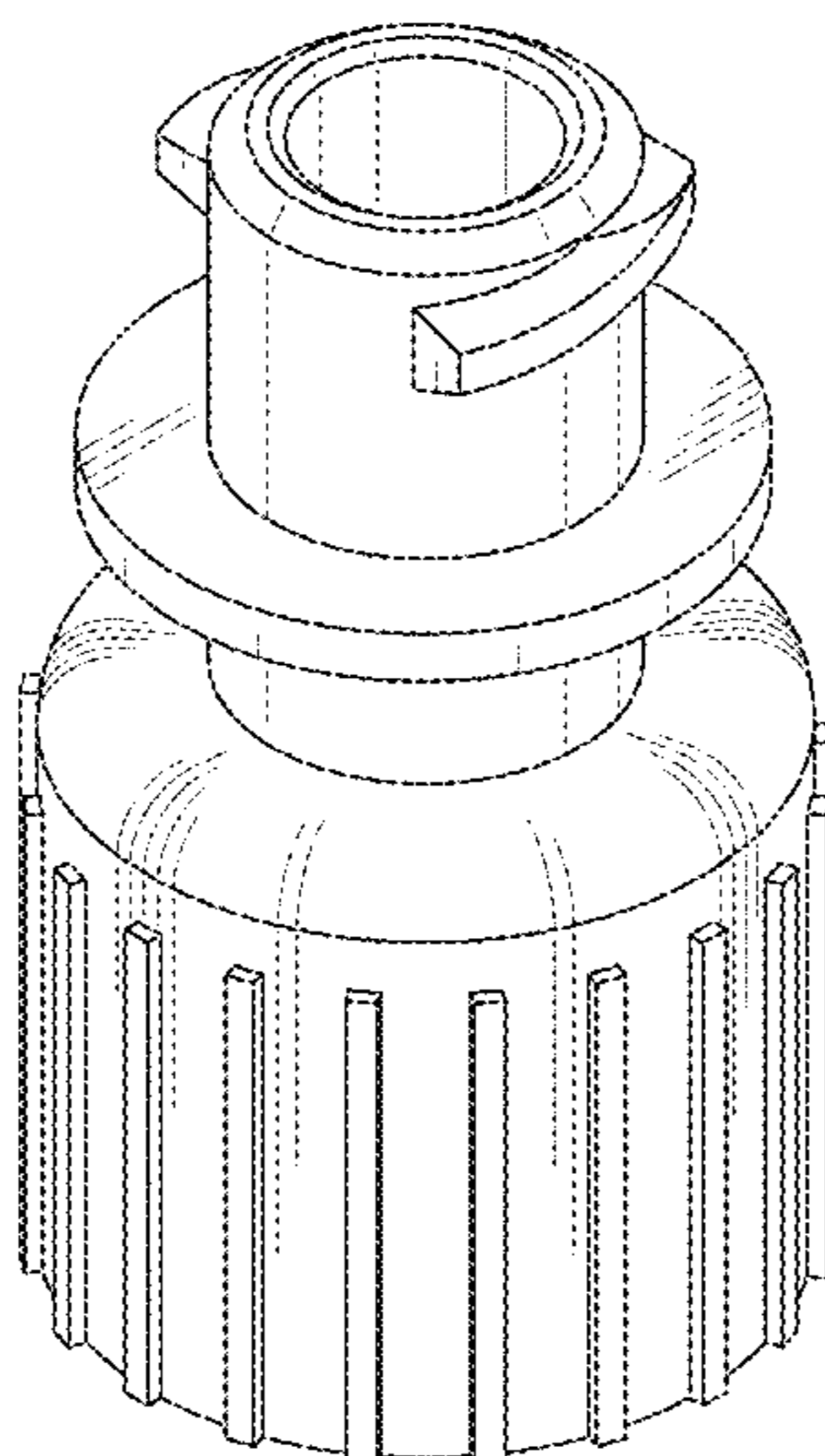
(57) **CLAIM**

The ornamental design for an adapter for connecting a pouch spout to a tube connector, as shown and described.

**DESCRIPTION**

- 1. Adapter for connecting a pouch spout to a tube connector
  - 1.1 : Perspective
  - 1.2 : Front
  - 1.3 : Right
  - 1.4 : Top
  - 1.5 : Bottom
  - 1.6 : Cross sectional
  - 1.7 Front view, shown in an environment.
- In Reproduction 1.7 the broken lines show environment only, and form no part of the claimed design.

**1 Claim, 7 Drawing Sheets**



(56)

**References Cited**

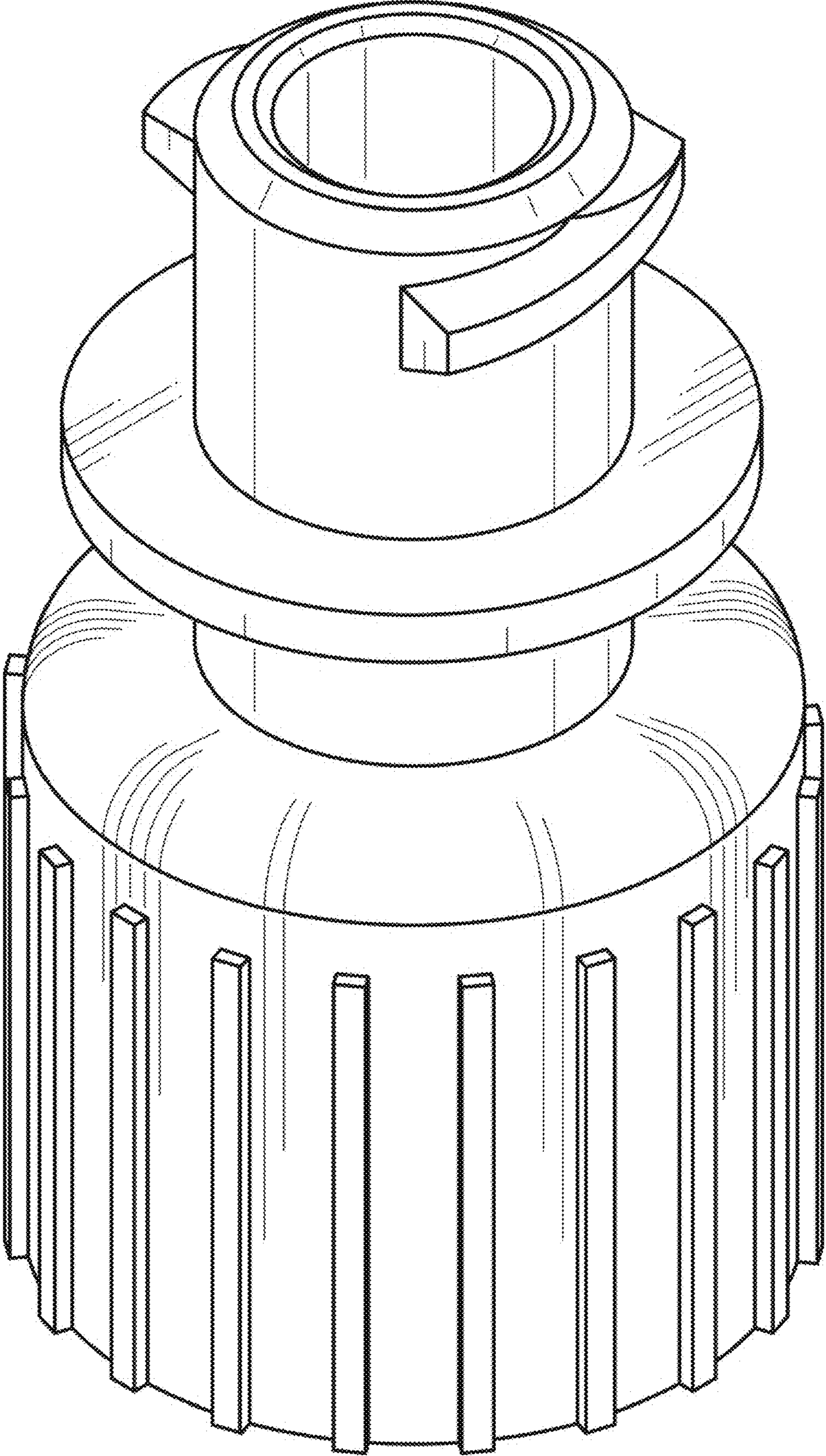
OTHER PUBLICATIONS

“Green Leaf . . .” reference dated Jan. 15, 2022 on the internet at: <https://www.tractorsupply.com/tsc/product/green-leaf-garden-hose-adapter-3-4-in-mght-x-3-8-in-barb>.\*

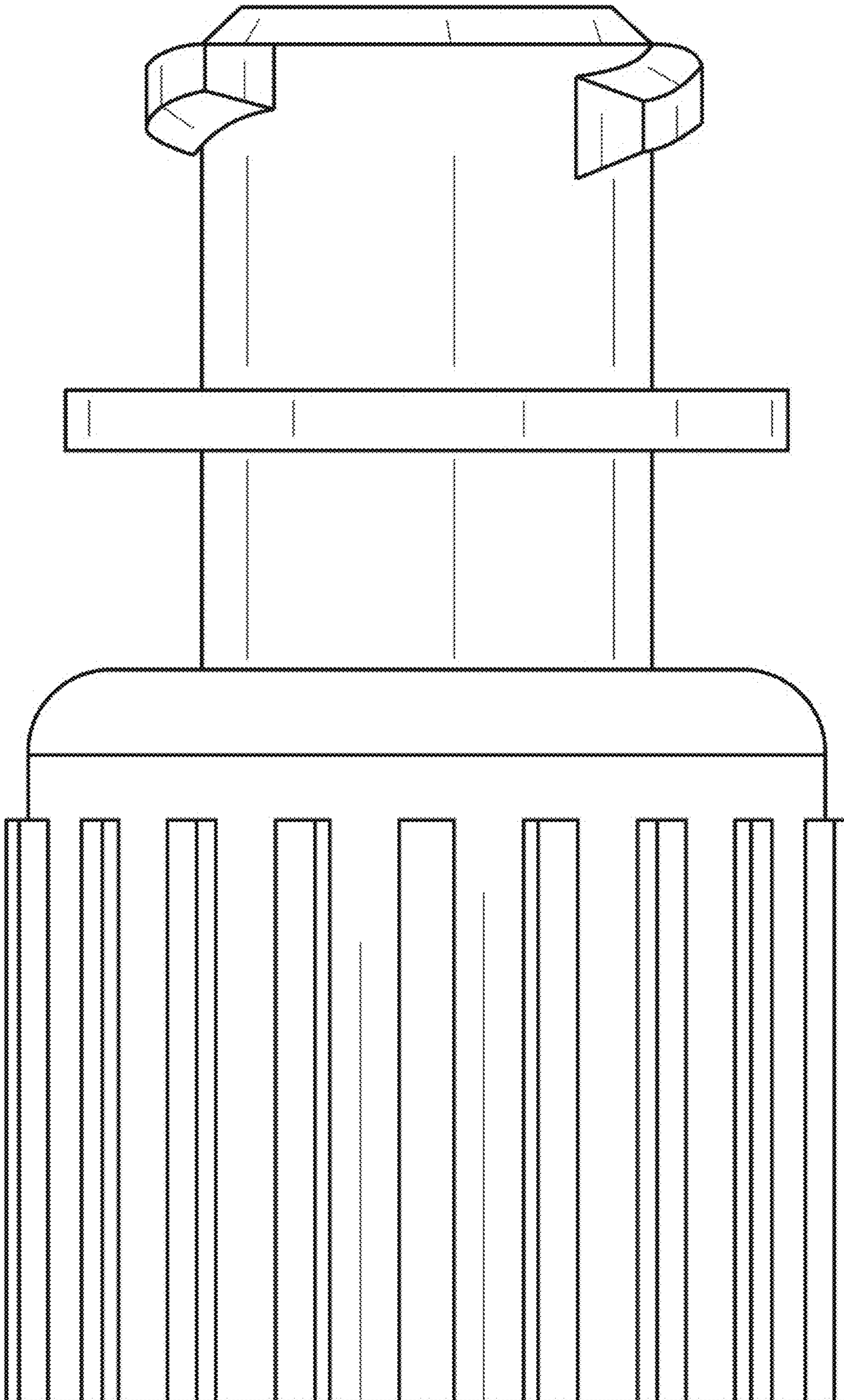
“Spouted Standup . . .” reference dated Jan. 15, 2022 on the internet at: [https://www.uline.com/Product/Detail/S-24451BL/Barrier-Pouches/Spouted-Stand-Up-Barrier-Pouches-6-x-8-x-3-Glossy-Black?pricode=WC2177&gadtype=pla&id=S-24451BL&gclid=EAIaIQobChMlxLDr0OW79QIVGvnlCh2OUQ04EAQYAyABEgK3YPD\\_BwE&gclsrc=aw.ds](https://www.uline.com/Product/Detail/S-24451BL/Barrier-Pouches/Spouted-Stand-Up-Barrier-Pouches-6-x-8-x-3-Glossy-Black?pricode=WC2177&gadtype=pla&id=S-24451BL&gclid=EAIaIQobChMlxLDr0OW79QIVGvnlCh2OUQ04EAQYAyABEgK3YPD_BwE&gclsrc=aw.ds).\*

\* cited by examiner

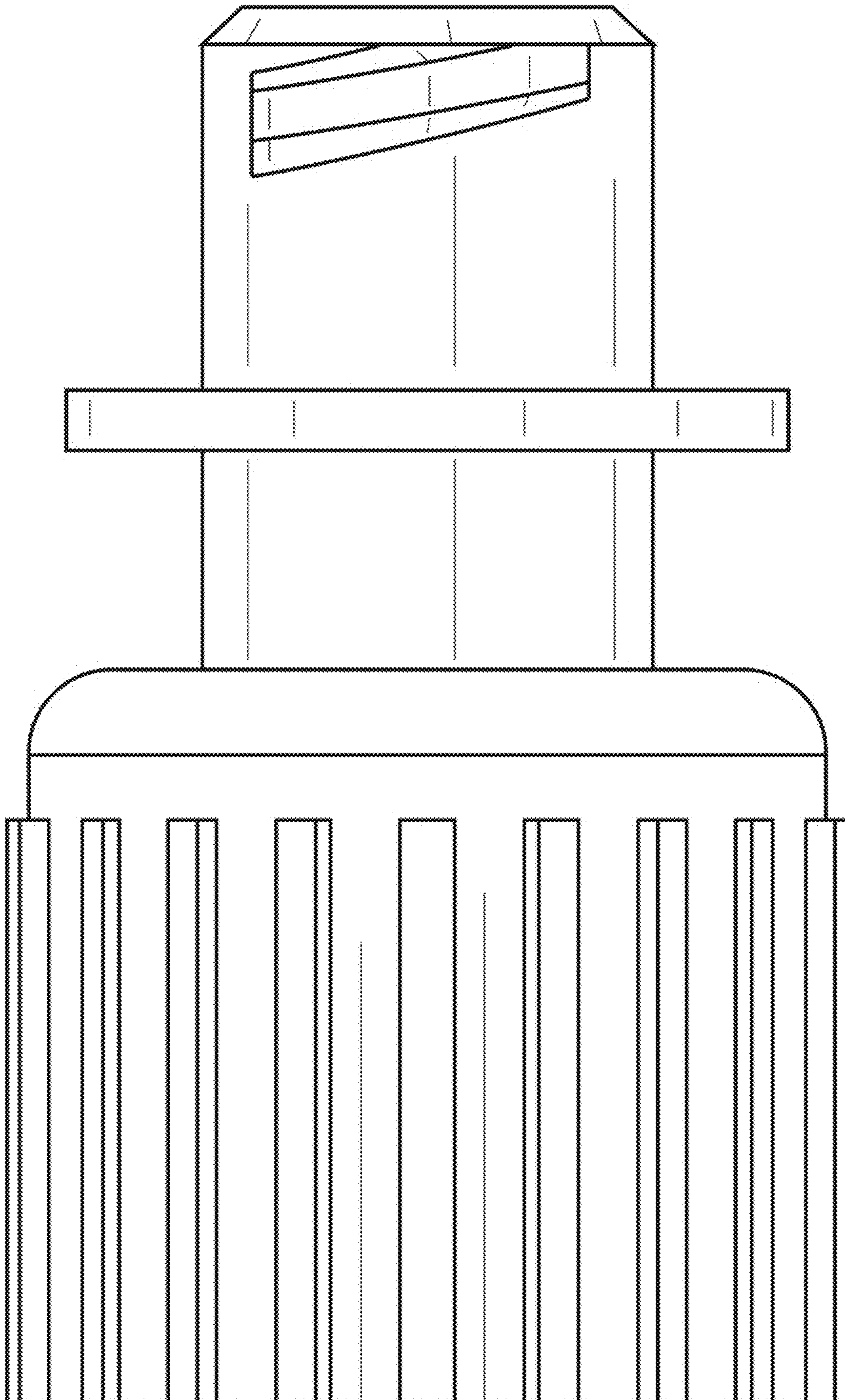
1.1



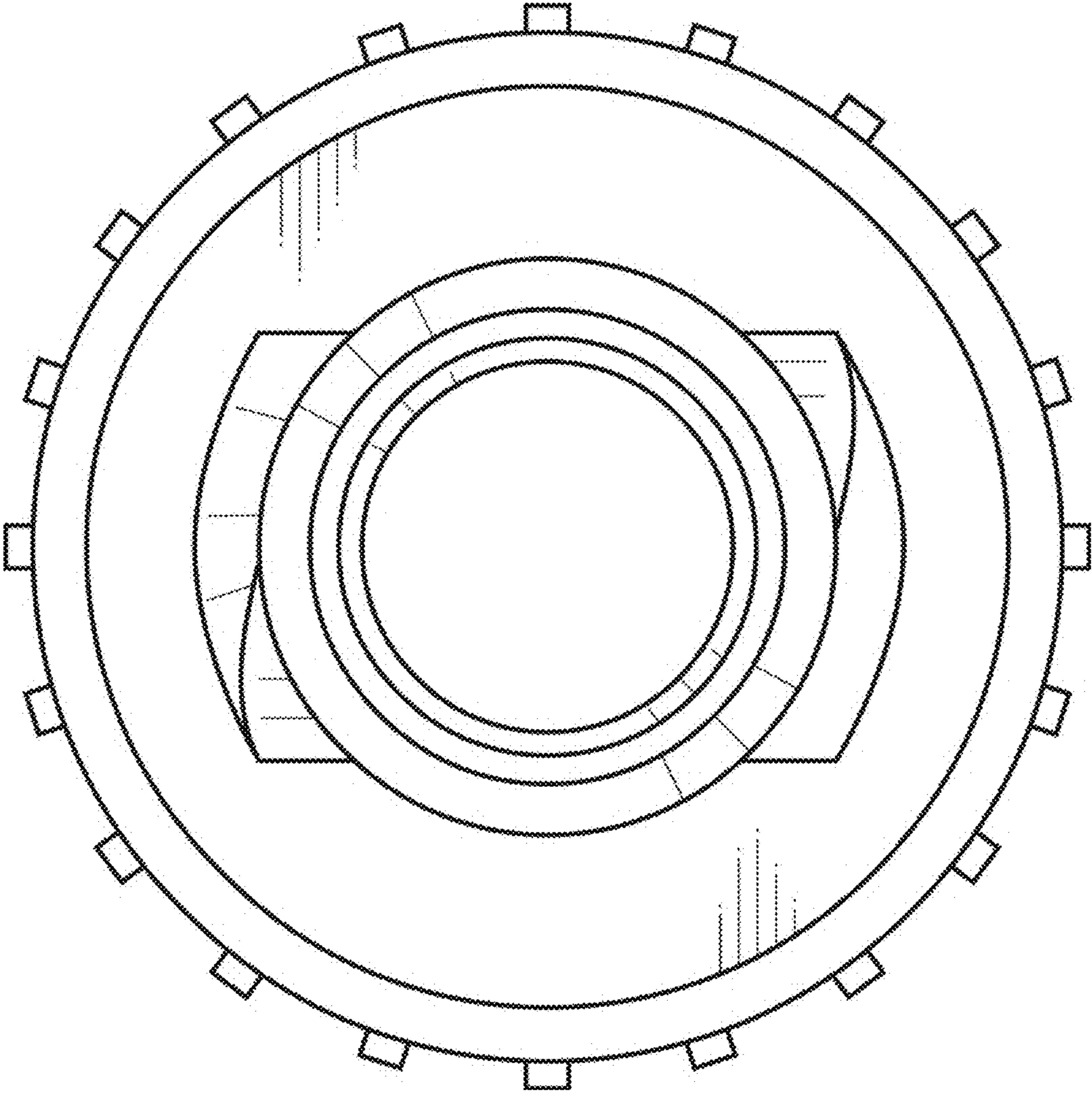
1.2



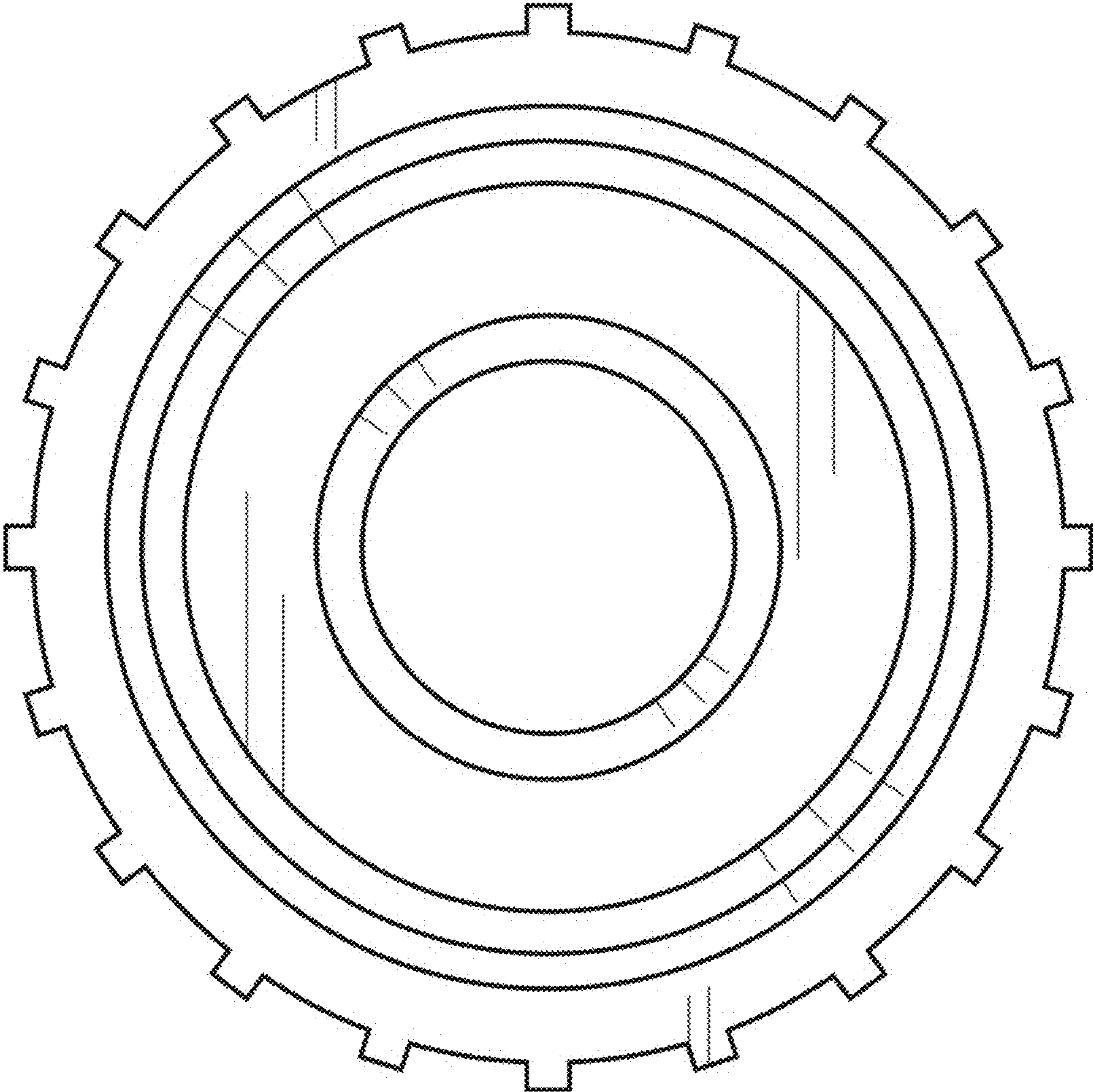
1.3



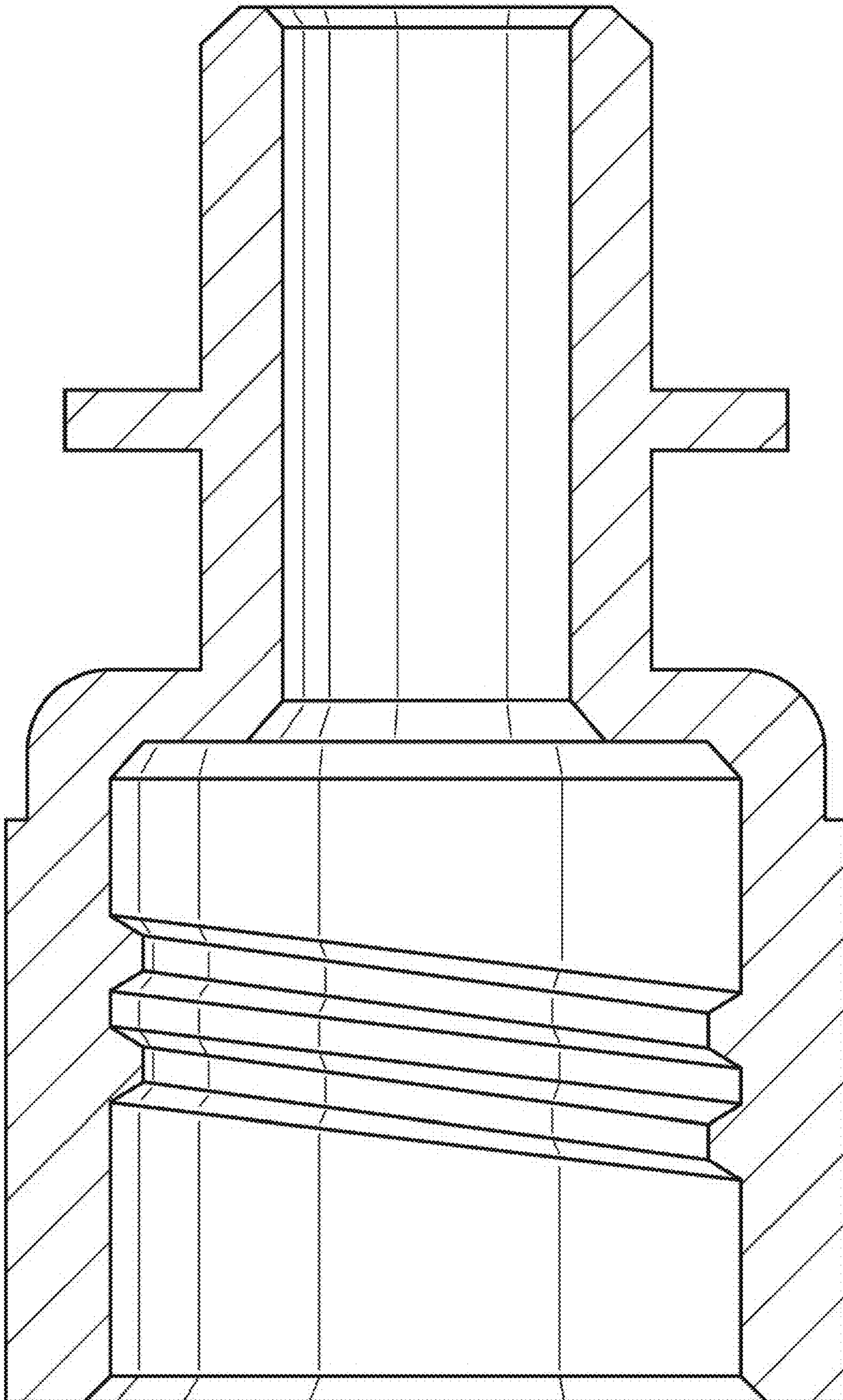
1.4



1.5



1.6





1.7

