



US00D953987S

(12) **United States Design Patent**
Peng

(10) **Patent No.:** **US D953,987 S**
(45) **Date of Patent:** **** Jun. 7, 2022**

(54) **SMART CURTAIN CONTROLLER**

(71) Applicant: **Dongguan Lianyou Intelligent Technology Co., Ltd., Dongguan (CN)**

(72) Inventor: **Jun Peng, Xingning (CN)**

(**) Term: **15 Years**

(21) Appl. No.: **29/787,414**

(22) Filed: **Jun. 7, 2021**

(30) **Foreign Application Priority Data**

May 28, 2021 (CN) 202130324522.8

(51) **LOC (13) Cl.** **13-01**

(52) **U.S. Cl.**
USPC **D13/112; D13/168; D6/580**

(58) **Field of Classification Search**
USPC D13/112, 118, 122, 162, 168; D6/575, D6/580; D15/199
CPC ... E06B 9/32; E06B 9/322; E06B 9/68; E06B 9/70; A47H 5/0325; H02P 1/16
See application file for complete search history.

(56) **References Cited**

U.S. PATENT DOCUMENTS

D326,083	S	*	5/1992	Miyamoto	D13/112
5,270,629	A	*	12/1993	Hsieh	E06B 9/32
						318/16
D359,410	S	*	6/1995	Domel	D6/575
D387,598	S	*	12/1997	Liu	D6/580
5,729,103	A	*	3/1998	Domel	E06B 9/32
						318/16
D396,448	S	*	7/1998	Will	D13/112
D554,586	S	*	11/2007	Vrialink	D13/112
D557,210	S	*	12/2007	Liu	D13/112
D690,133	S	*	9/2013	Wu	D6/580
D690,961	S		10/2013	Chou		
D727,659	S		4/2015	Kao		
9,161,649	B2	*	10/2015	Rastegar	E06B 9/322
9,359,815	B2	*	6/2016	Nicolosi	E06B 9/264

9,670,723	B2	*	6/2017	Pham	E06B 9/68
D797,060	S	*	9/2017	Pham	D13/168
10,104,997	B2	*	10/2018	Pham	H02P 1/16
D860,144	S		9/2019	Zhuang		
2005/0239588	A1	*	10/2005	Lin	E06B 9/32
						474/87
2010/0186907	A1	*	7/2010	Kraler	E06B 9/307
						160/405

(Continued)

OTHER PUBLICATIONS

Amazon.com_ SwitchBot Curtain Smart Electric Motor; Oct. 28, 2020; 5 pgs.; https://www.amazon.com/SwitchBot-Electric-Wireless-Automate-Compatible/dp/B08FXFTX67/ref=sr_1_3?crd=3H9PX897EW9TF&keywords=SwitchBot%2BCurtain%2BU%2BRail%2B2&qid=1647530569&sprefix=switchbot%2Bcurtain%2Bu%2Braul%2B2%2Caps%2C44&sr=8-3&th=1.*

(Continued)

Primary Examiner — Selina Sikder

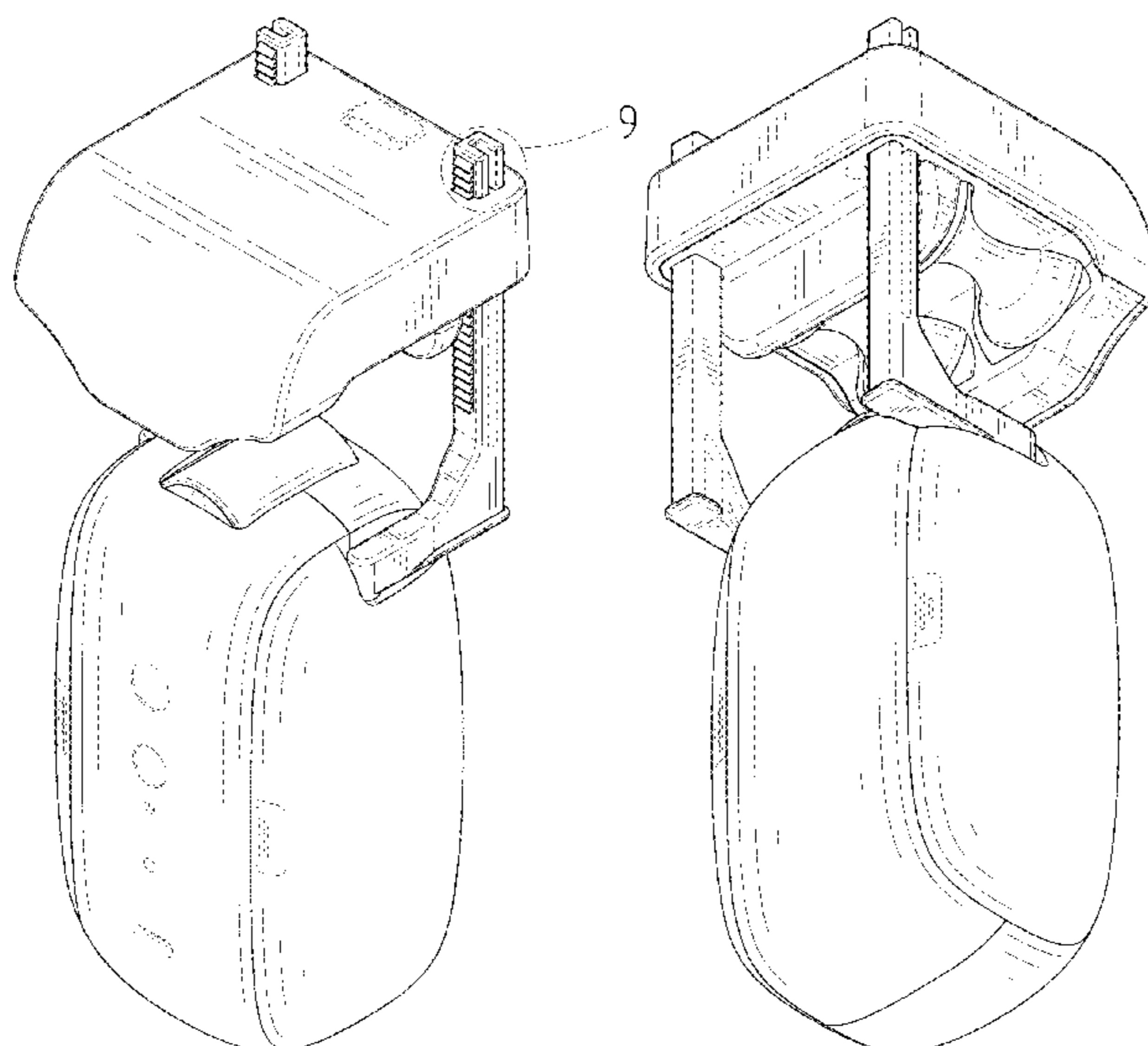
(57) **CLAIM**

The ornamental design for a smart curtain controller, as shown and described.

DESCRIPTION

FIG. 1 is a first perspective view of a smart curtain controller showing my new design;
FIG. 2 is a second perspective view thereof;
FIG. 3 is a front view thereof;
FIG. 4 is a back view thereof;
FIG. 5 is a left side view thereof;
FIG. 6 is a right side view thereof;
FIG. 7 is a top view thereof;
FIG. 8 is a bottom view thereof; and,
FIG. 9 is an enlarged view of the selected portion in FIG. 1. The broken lines shown in the drawings depict portions of the smart curtain controller in which the design is embodied that form no part of the claimed design.

1 Claim, 9 Drawing Sheets



(56)

References Cited

U.S. PATENT DOCUMENTS

2013/0240165 A1* 9/2013 Chambers E06B 9/322
192/89.28
2015/0041079 A1* 2/2015 Sourain A47H 1/04
160/331
2019/0277087 A1* 9/2019 Pereira E06B 9/38

OTHER PUBLICATIONS

Amazon.com_ Sole Home 2Pcs Smart Curtain Opener Robot; Apr. 18, 2021; 2 pgs.;https://www.amazon.com/SOLE-HOME-Controller-Brightness-Temperature/dp/B092TJNR3S/ref=sr_1_54?crd=F0MKYJ6AFI7X&keywords=Tuya%2BSmart%2BCurtains%2BElectric%2BCurtain%2BMotor%2BVoice%2BControl%2BWireless%2BAutomatic%2BCurtain%2BOpener%2BRobot%2.*

Smart Curtain Driver Smart Home Alexa Curtains Tuya Curtain Motor AliExpress; Sep. 21, 2021; 2pgs.;<https://www.aliexpress.com/item/1005002566280070.html>.*

Amazon.com_ EVTSCAN Curtain Smart Electric Motor Automatic Curtain Opener ; Aug. 26, 2021; 2 pgs.;<https://www.amazon.com/EVTSCAN-Curtain-Electric-Automatic-Installation/dp/B09DPXQL11>.*

YouTube: Smart & Automatic Curtain Opener Robot: Uploaded on Oct. 23, 2019; 1 pg.;<https://www.youtube.com/watch?v=bMbLAz2faNI>.*

Wired; SwitchBot Curtain Review; Apr. 7, 2021; 6 Pgs.;<https://www.wired.com/review/switchbot-curtain/>.*

* cited by examiner

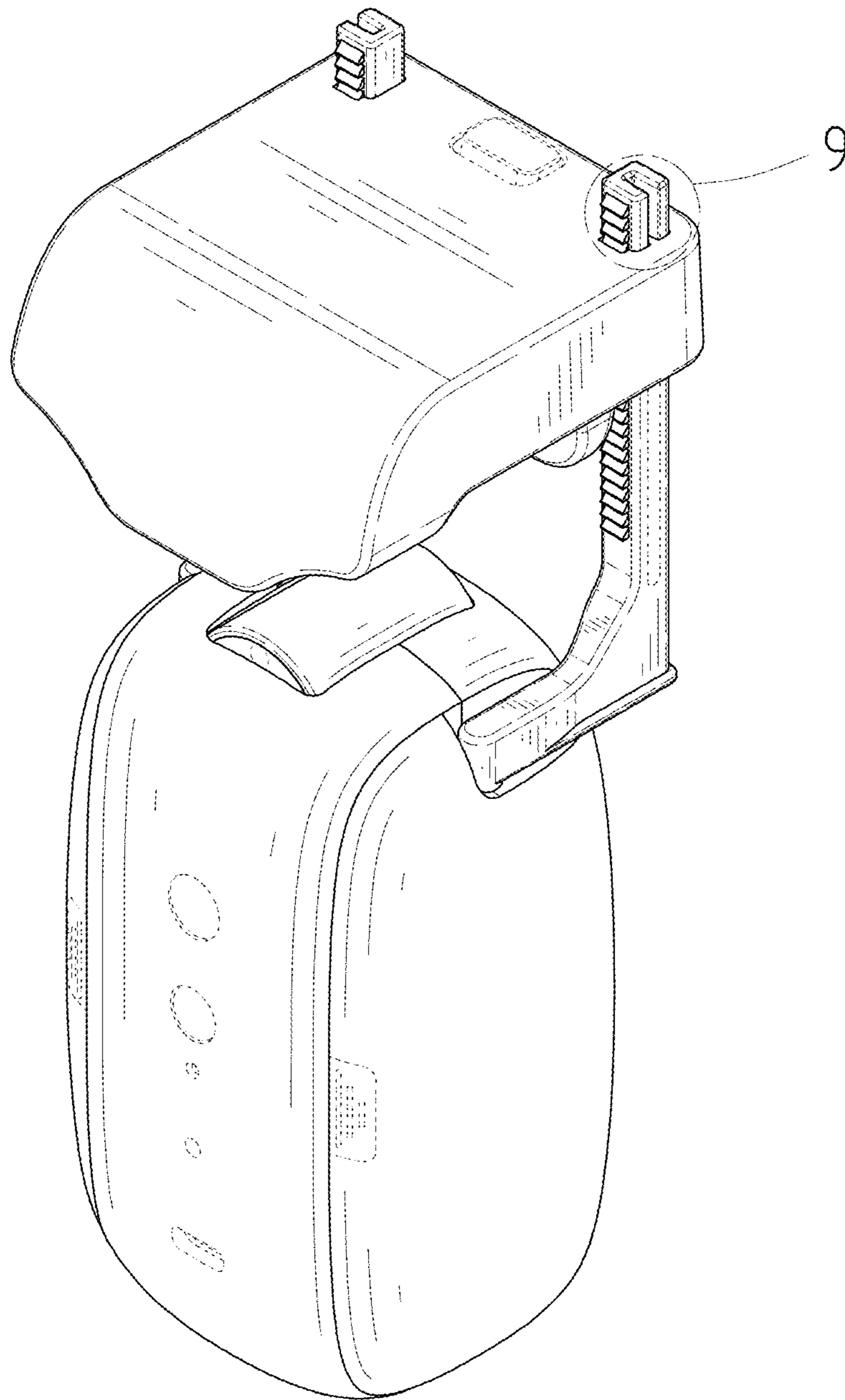


FIG. 1

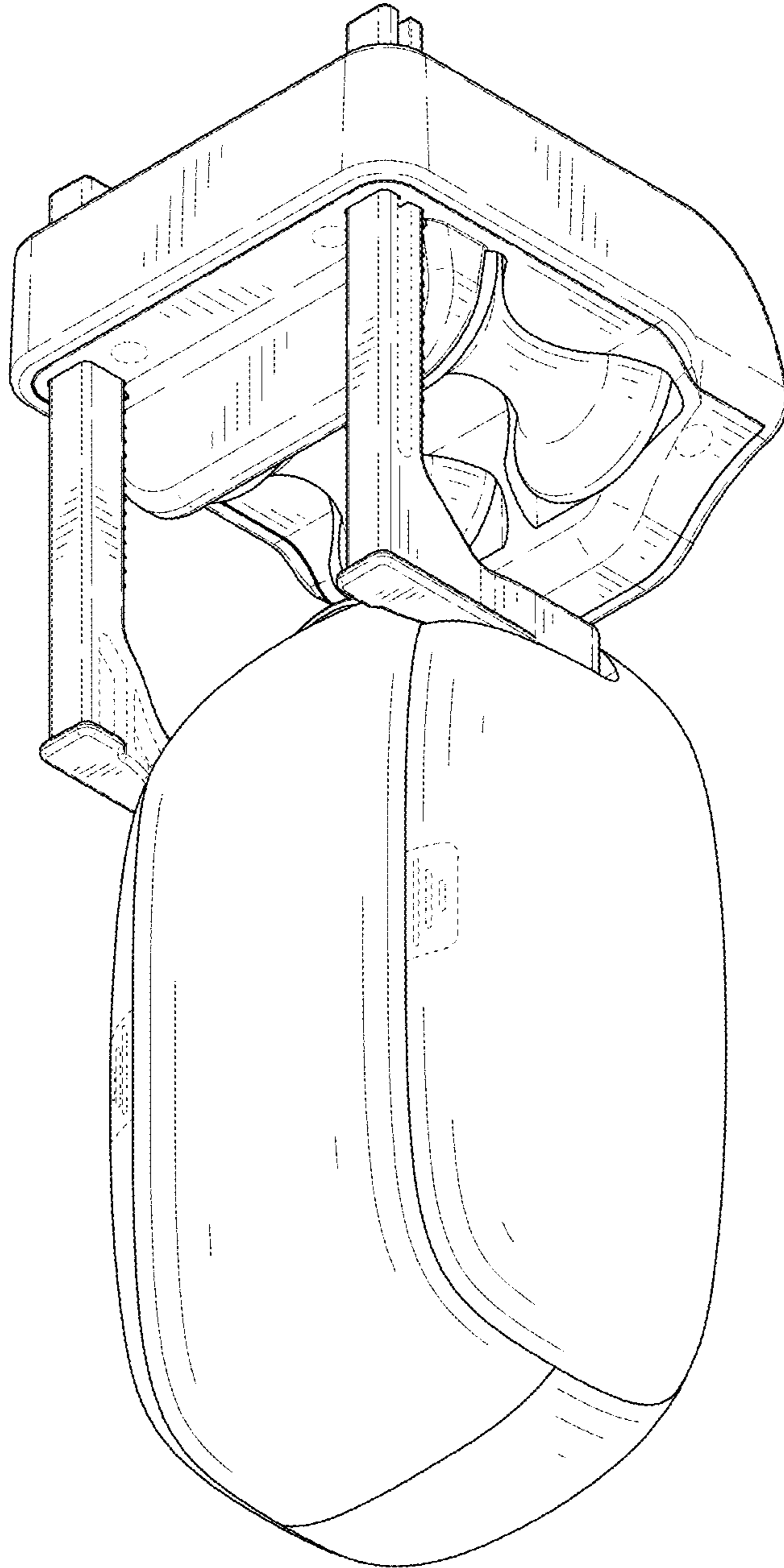


FIG. 2

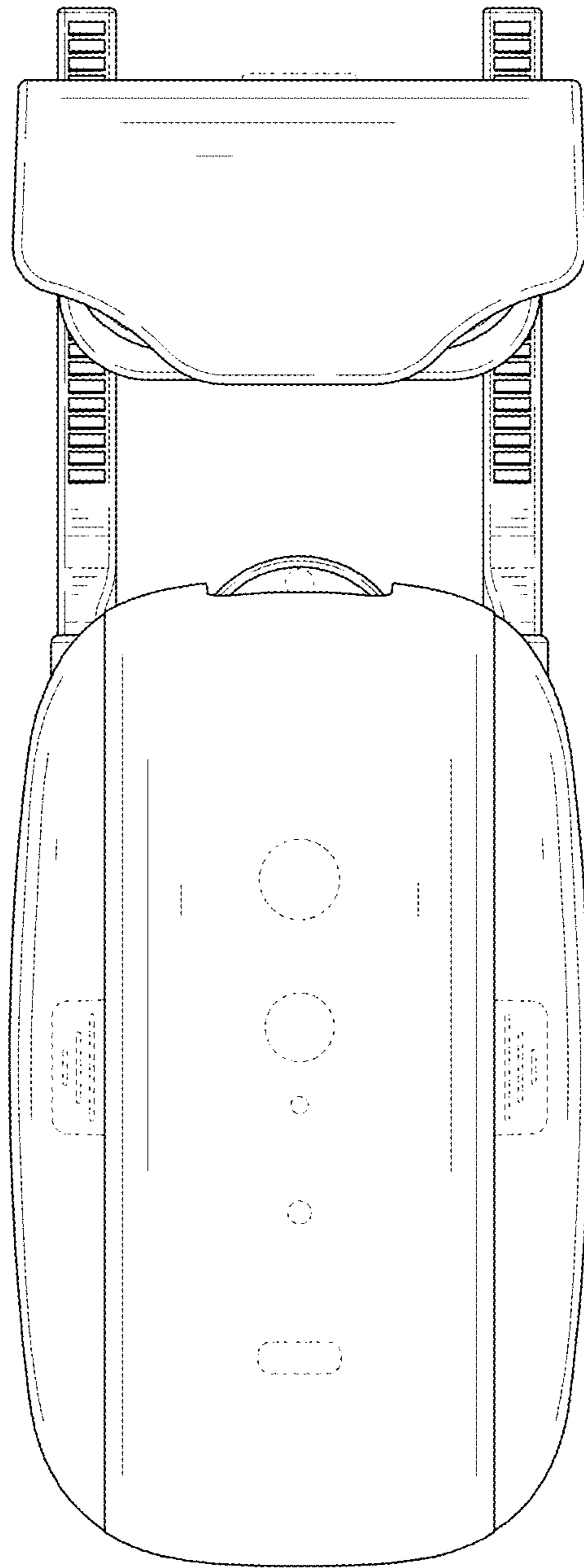


FIG. 3

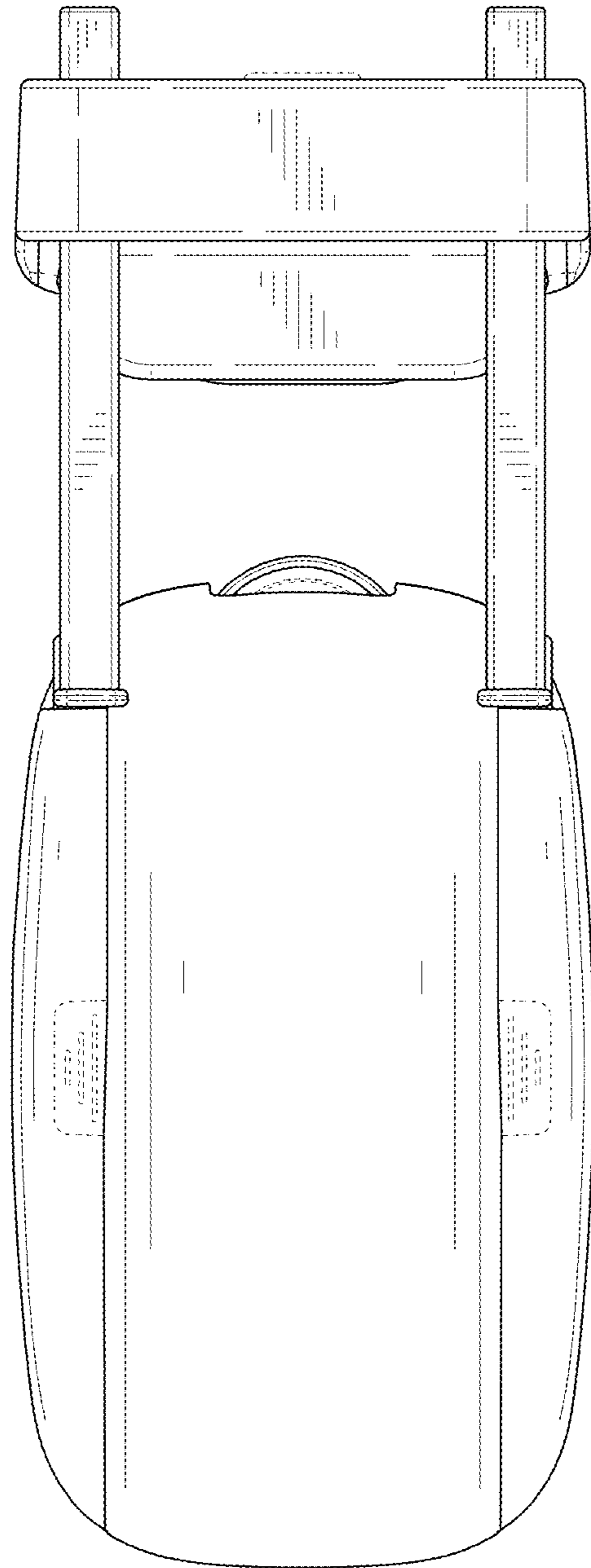


FIG. 4

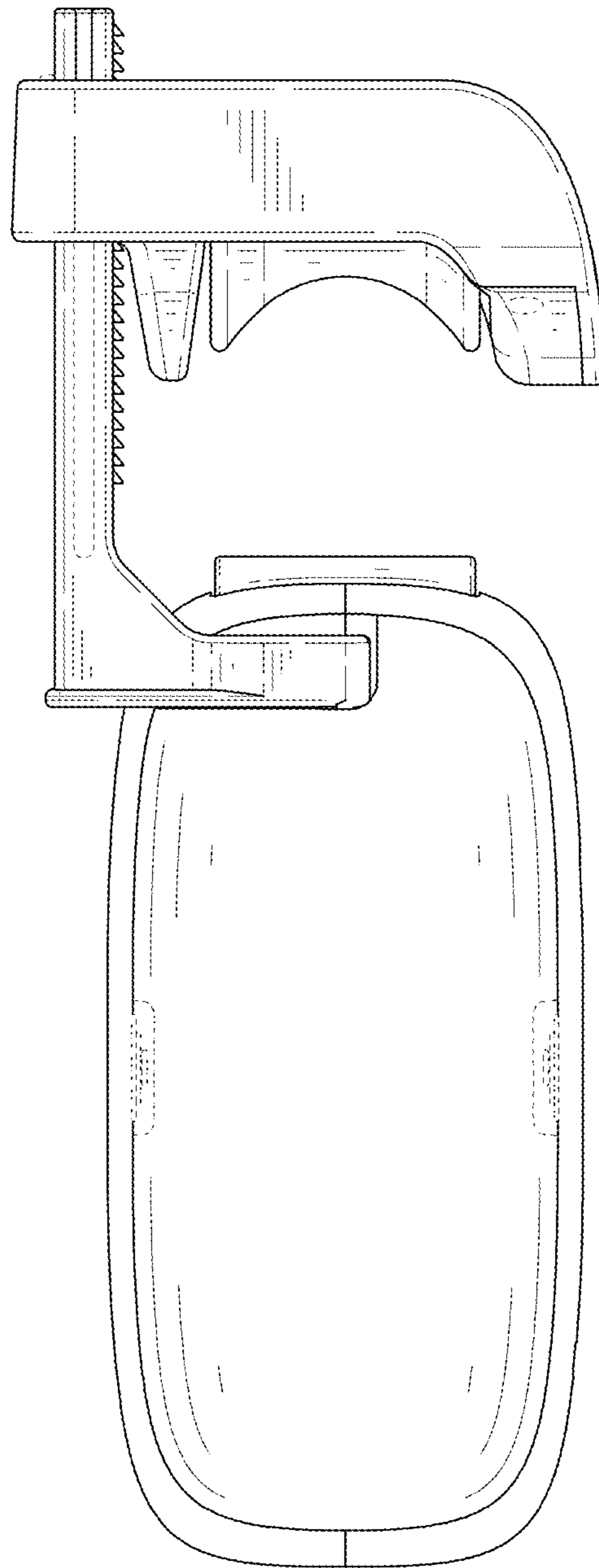


FIG. 5

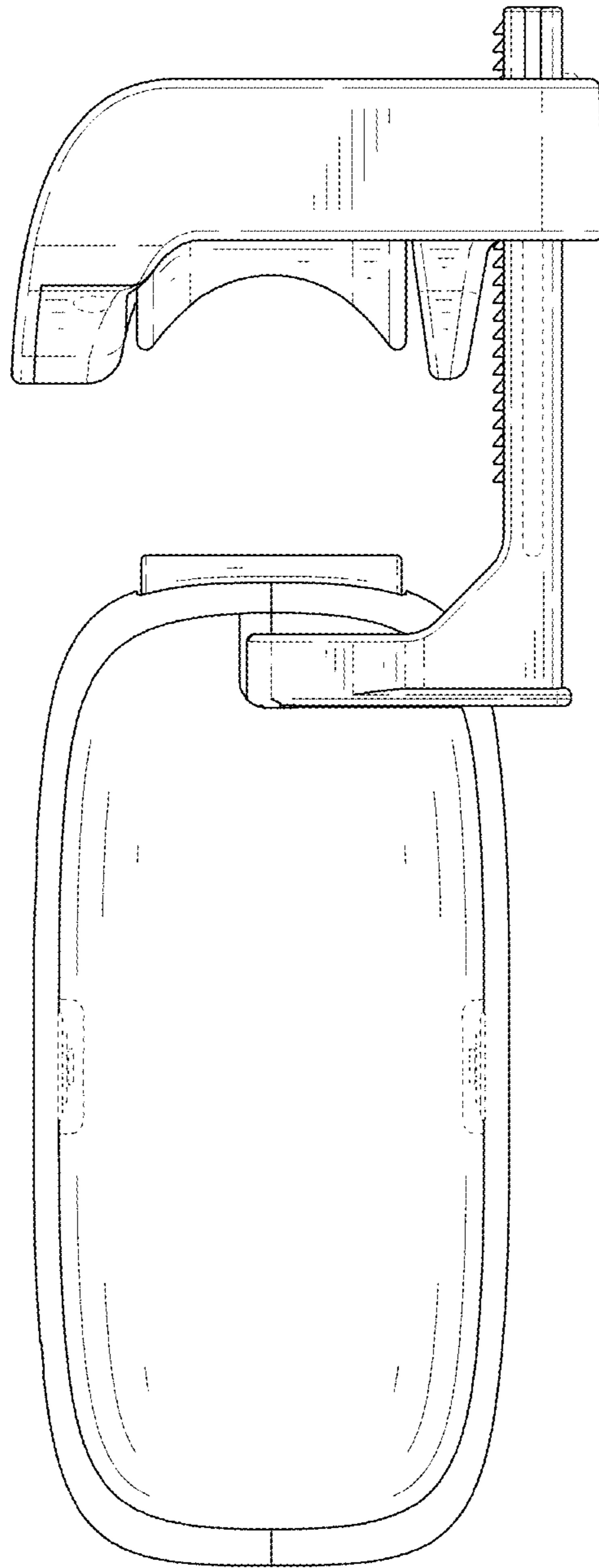


FIG. 6

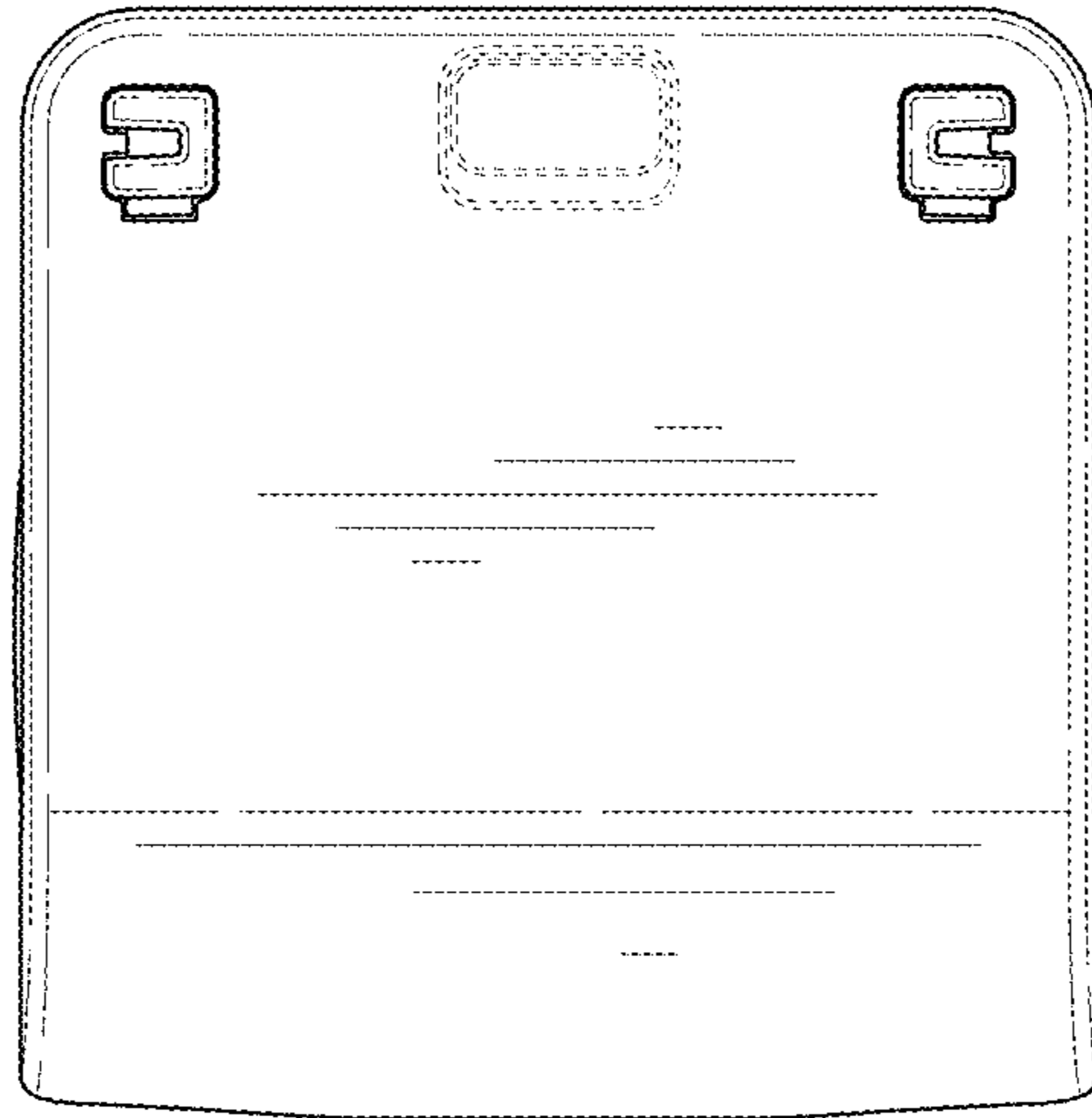


FIG. 7

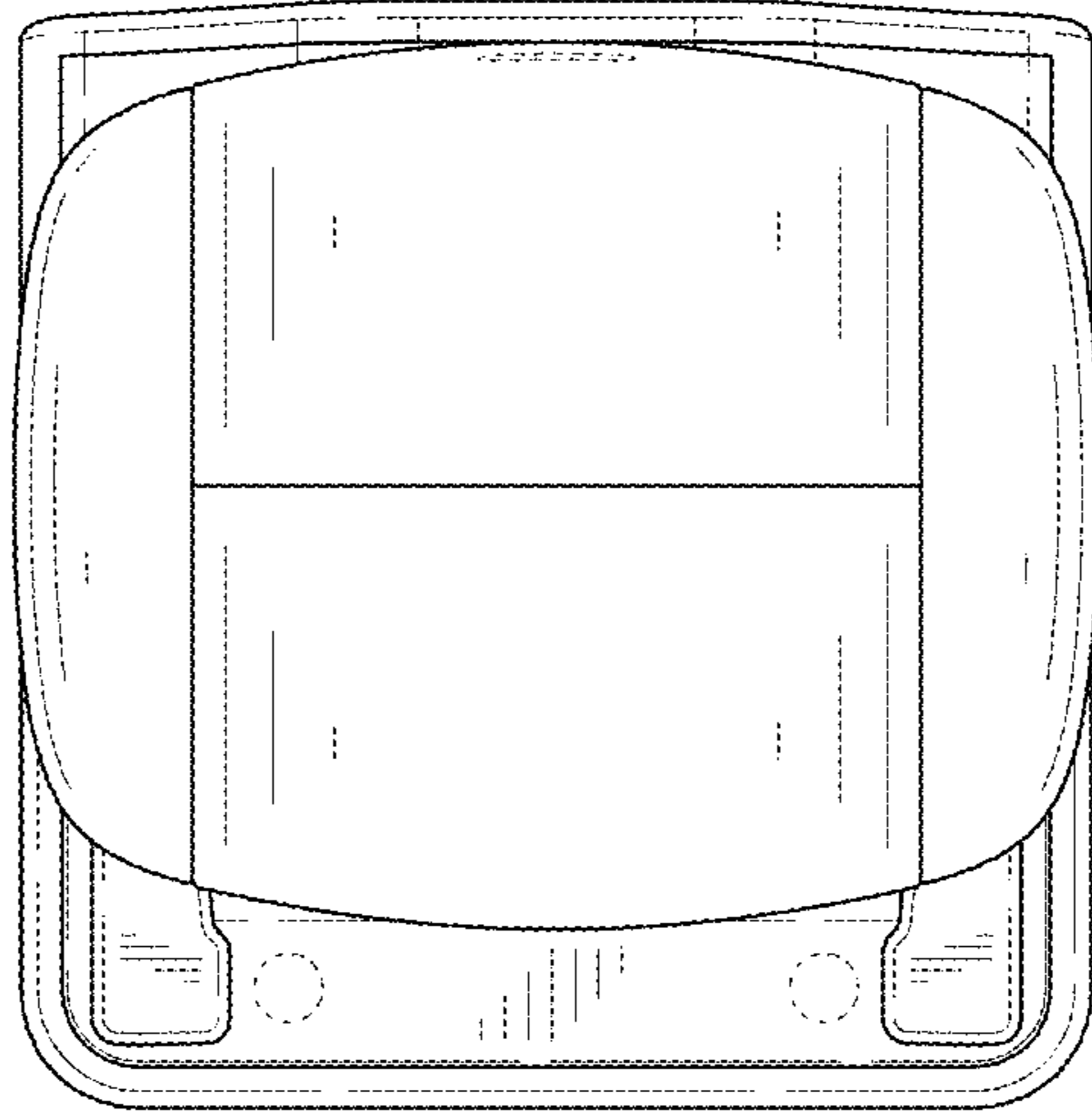


FIG. 8

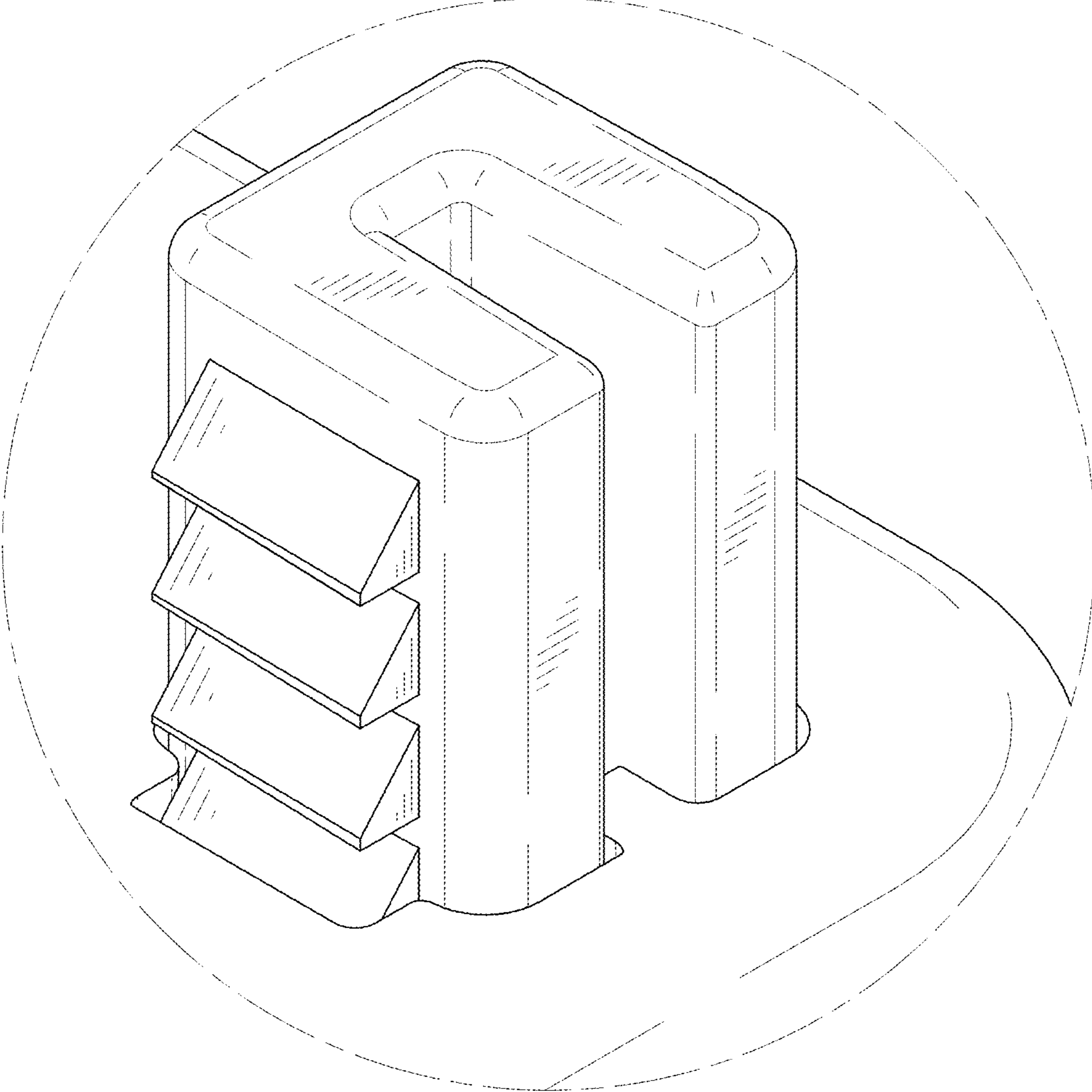


FIG. 9