



US00D953985S

(12) **United States Design Patent**  
**Inoue et al.**

(10) **Patent No.:** **US D953,985 S**  
(45) **Date of Patent:** **\*\* Jun. 7, 2022**

- (54) **RECTIFIER**
- (71) Applicant: **Neturen Co., Ltd.**, Tokyo (JP)
- (72) Inventors: **Hiroki Inoue**, Tokyo (JP); **Takashi Horino**, Tokyo (JP)
- (73) Assignee: **Neturen Co., Ltd.**, Tokyo (JP)
- (\*\*) Term: **15 Years**
- (21) Appl. No.: **29/770,183**
- (22) Filed: **Feb. 10, 2021**
- (30) **Foreign Application Priority Data**  
Aug. 11, 2020 (JP) ..... 2020-016800 D
- (51) **LOC (13) Cl.** ..... **13-02**
- (52) **U.S. Cl.**  
USPC ..... **D13/110**
- (58) **Field of Classification Search**  
USPC ..... D13/101, 110, 112, 113, 114, 118, 122,  
D13/182, 184, 199  
CPC .... H02K 11/04; H02K 11/046; H02K 11/048;  
H02K 11/049; H02K 19/365; H05B 6/40;  
H05B 6/44; H05B 6/102; H05K 7/20;  
B33Y 10/00  
See application file for complete search history.

- 6,152,746 A \* 11/2000 Brown ..... H01R 9/0518  
439/99
- 7,119,467 B2 \* 10/2006 Dooley ..... H02K 1/165  
310/100
- 8,724,324 B2 \* 5/2014 Ford ..... H02K 11/042  
361/704
- 8,890,379 B2 \* 11/2014 Krause ..... H02K 11/042  
310/68 D
- D729,730 S \* 5/2015 Gillespie-Brown ..... D13/110
- 9,154,046 B2 \* 10/2015 Krause ..... H02M 7/003
- 9,398,643 B2 \* 7/2016 Pateau ..... H05B 6/44
- D840,365 S \* 2/2019 Ichino ..... D13/182

\* cited by examiner

*Primary Examiner* — Derrick E Holland

(74) *Attorney, Agent, or Firm* — Rankin, Hill & Clark  
LLP

- (56) **References Cited**  
U.S. PATENT DOCUMENTS  
D404,369 S \* 1/1999 Kawachi ..... D13/182  
6,116,981 A \* 9/2000 Zheng ..... A63H 33/065  
446/106

(57) **CLAIM**  
The ornamental design for a rectifier, as shown and described.

**DESCRIPTION**  
FIG. 1 is a top perspective view of a rectifier showing our new design;  
FIG. 2 is a front view thereof;  
FIG. 3 is a rear view thereof;  
FIG. 4 is a top view thereof, the bottom view being a mirror image;  
FIG. 5 is a right side view thereof, the left side view being a mirror image; and,  
FIG. 6 is a cross-sectional view thereof taken along a section line A-A of FIG. 2.

**1 Claim, 3 Drawing Sheets**

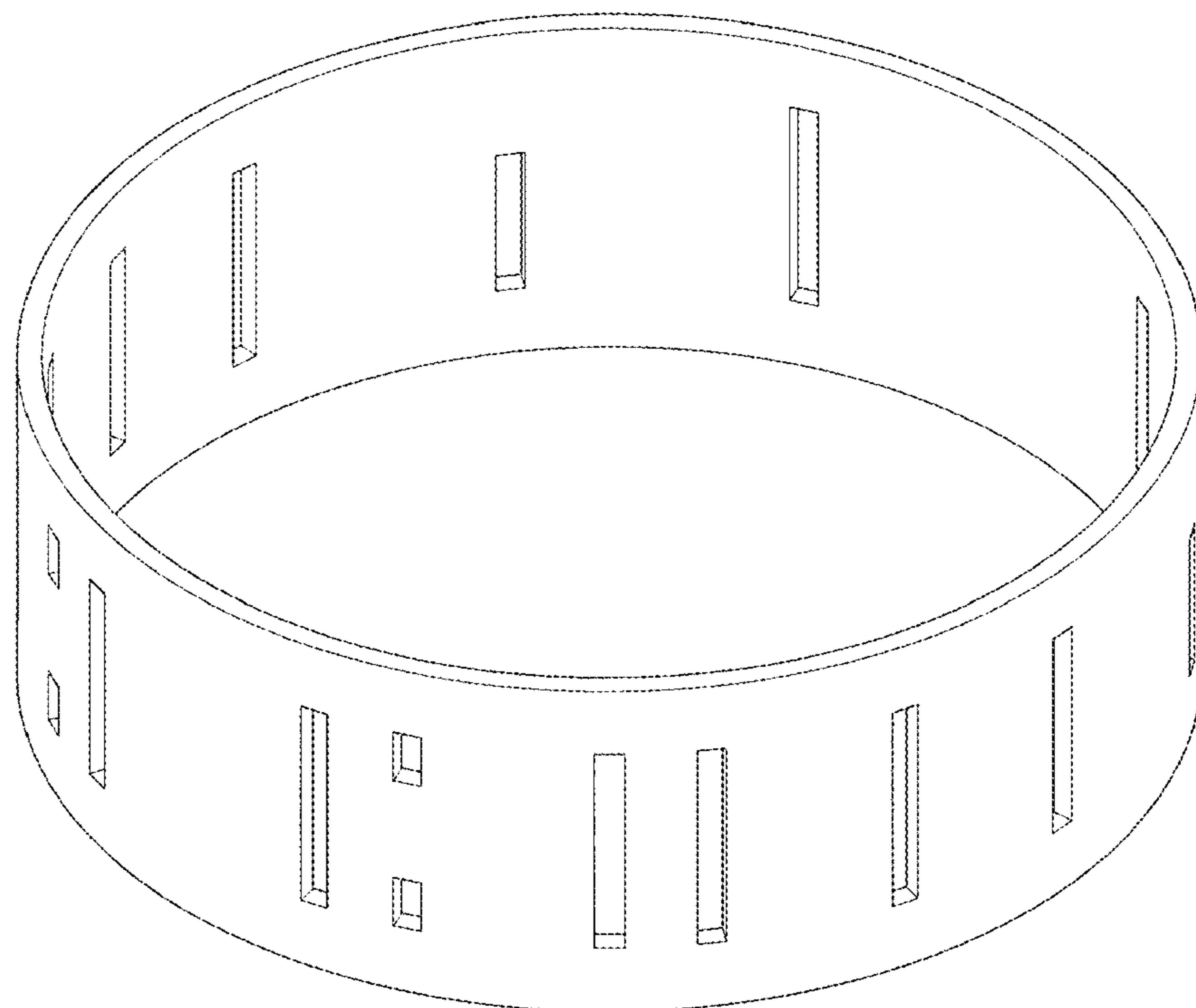


Fig. 1

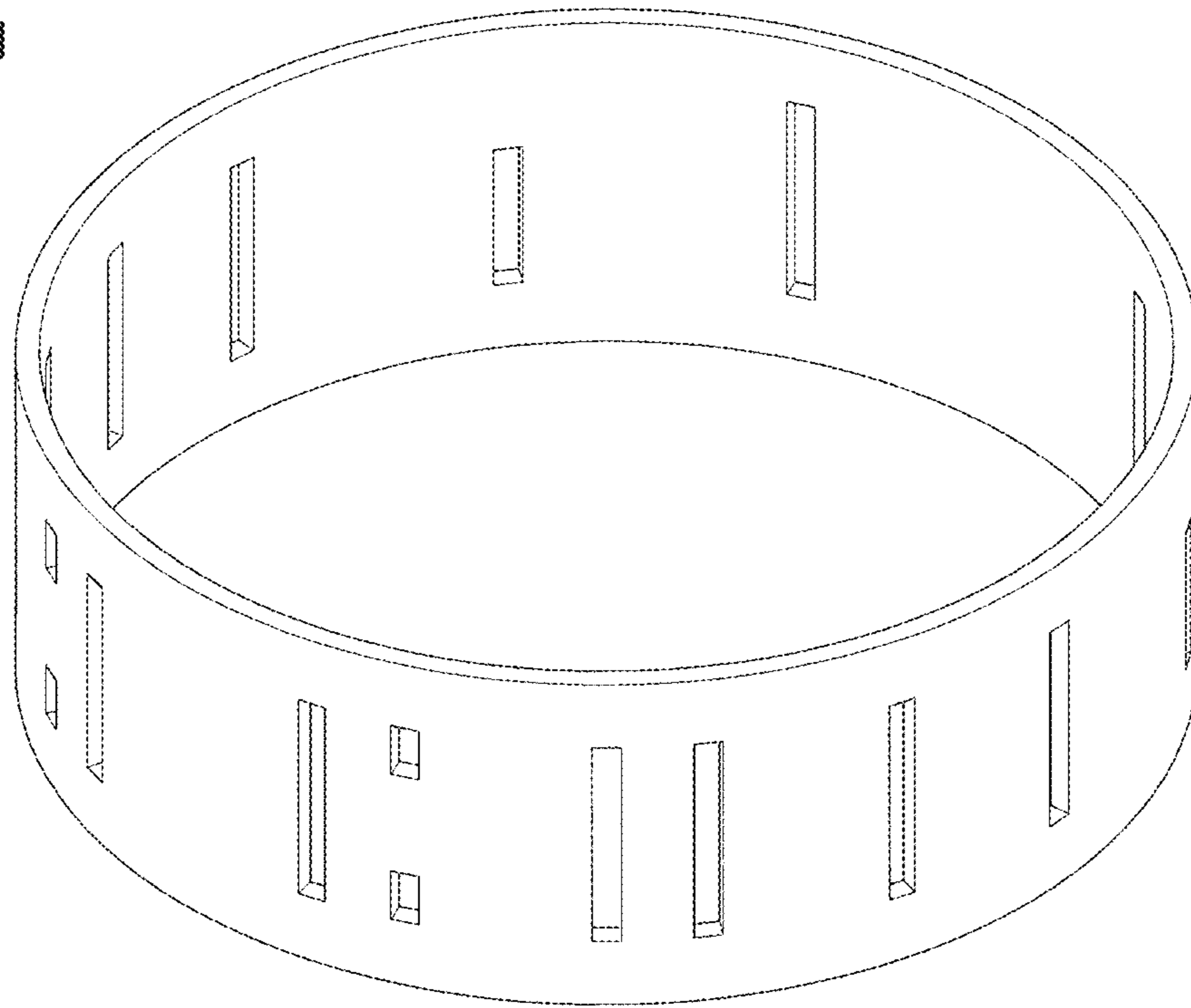


Fig. 2

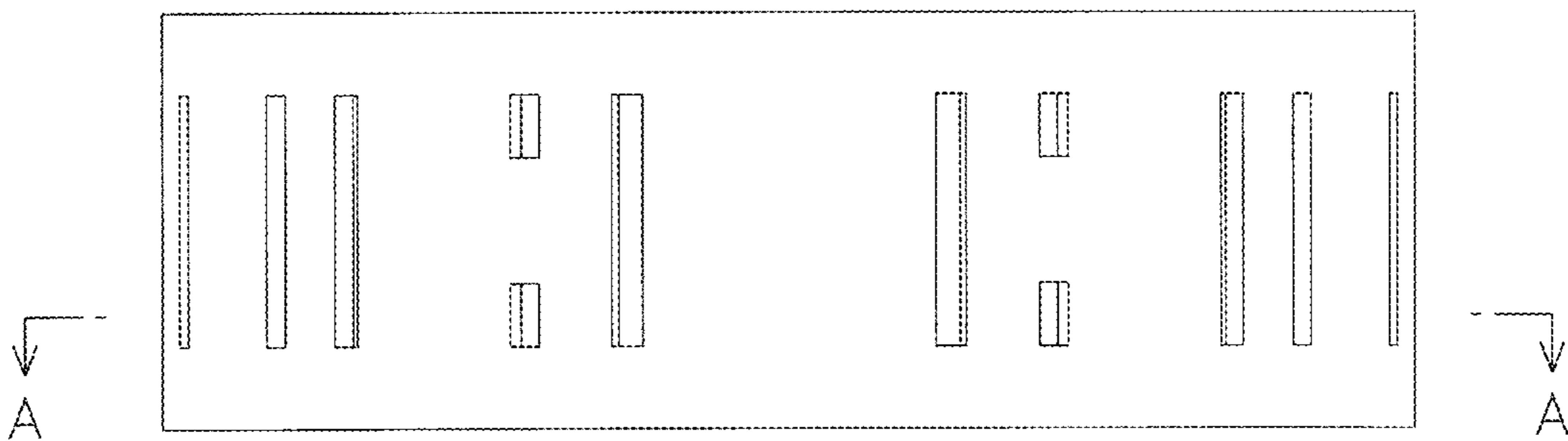


Fig. 3

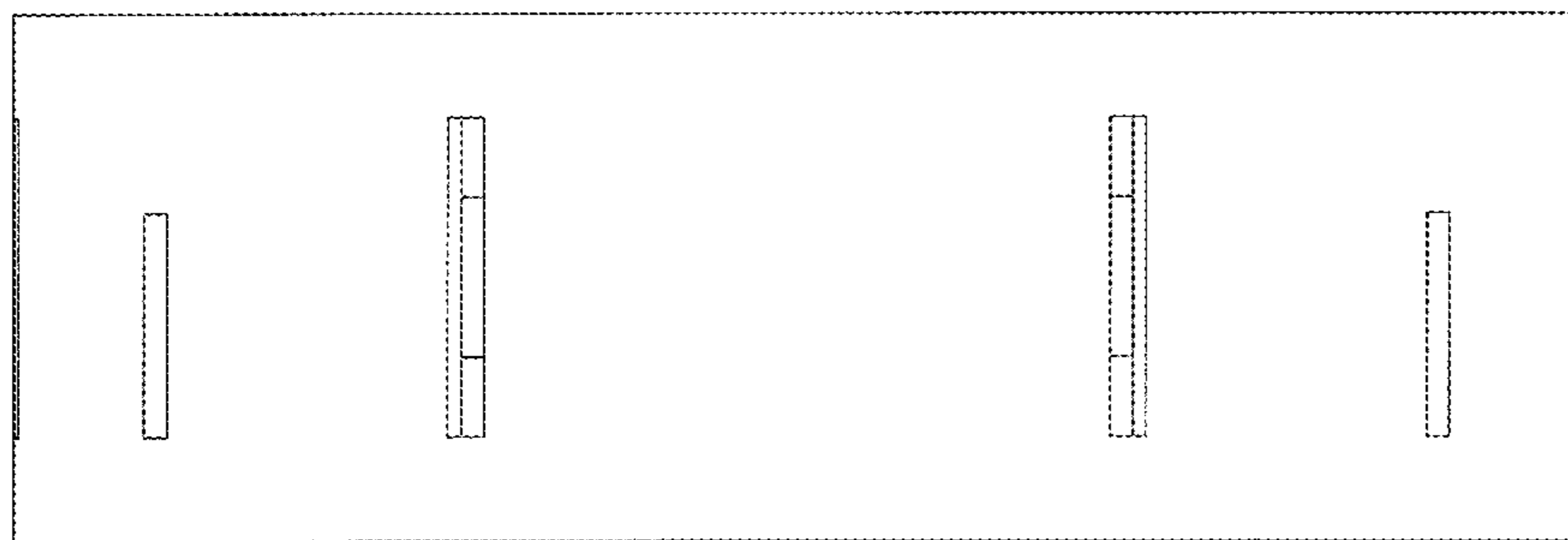


Fig. 4

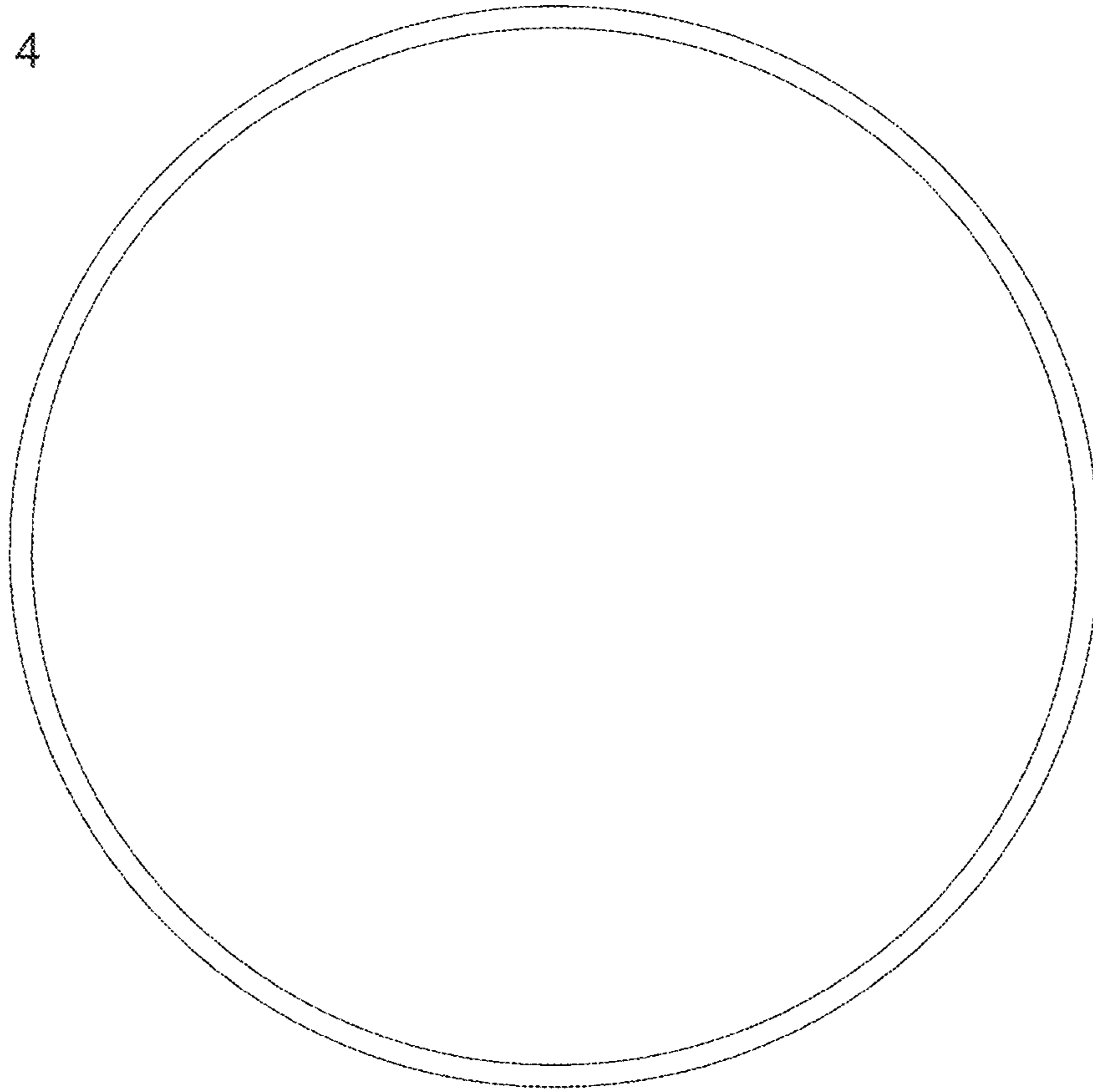


Fig. 5

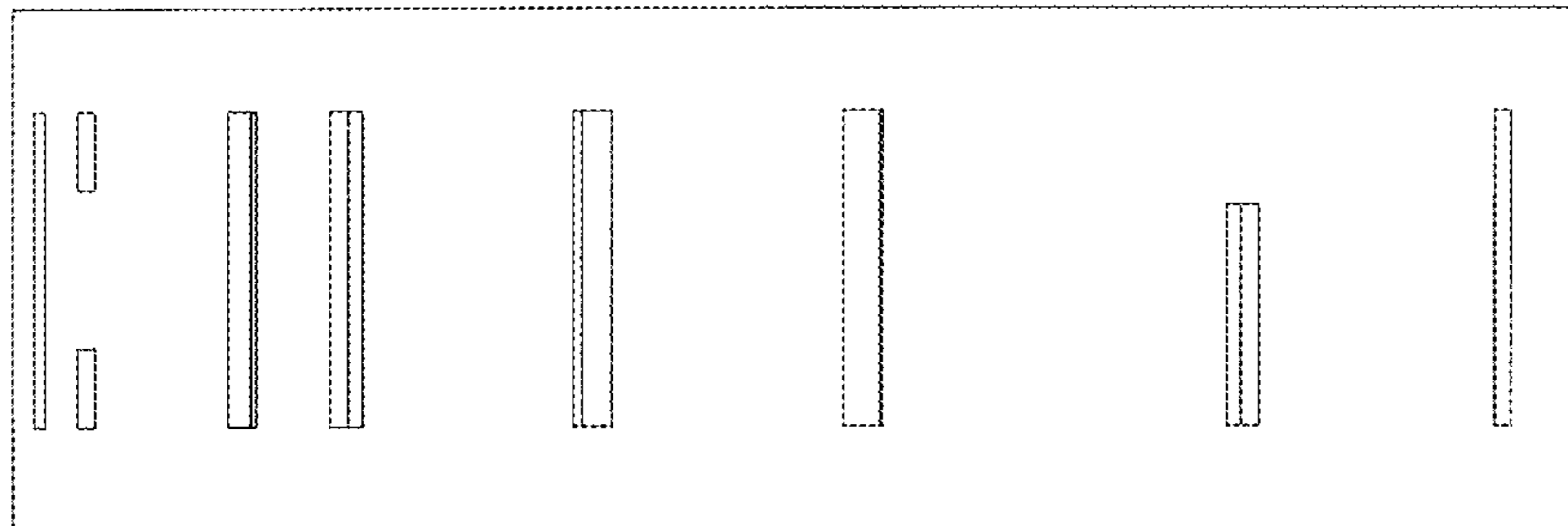


Fig. 6

