



US00D953982S

(12) **United States Design Patent** (10) **Patent No.:** **US D953,982 S**  
**Yi et al.** (45) **Date of Patent:** **\*\* Jun. 7, 2022**

(54) **COMBINED CRADLE WITH CHARGING PAD FOR WIRELESS EARPHONES**  
(71) Applicant: **LG ELECTRONICS INC.**, Seoul (KR)  
(72) Inventors: **Byunghyun Yi**, Seoul (KR); **Gayeong Lee**, Seoul (KR); **Soonhyun Park**, Seoul (KR); **Gangho Woo**, Seoul (KR)  
(73) Assignee: **LG ELECTRONICS INC.**, Seoul (KR)

D851,035 S \* 6/2019 Hong ..... D13/108  
D861,475 S \* 10/2019 Giwani ..... D9/418  
D875,519 S \* 2/2020 Giwani ..... D9/418  
D876,834 S \* 3/2020 Breen ..... D3/298  
10,701,472 B1 \* 6/2020 Xu ..... H02J 7/0044  
D894,122 S \* 8/2020 Ye ..... D13/108  
D896,067 S \* 9/2020 Giwani ..... D9/418  
D906,101 S \* 12/2020 Giwani ..... D9/418  
D910,603 S \* 2/2021 Li ..... D14/223  
D921,582 S \* 6/2021 Liu ..... D13/108

(Continued)

(\*\*) Term: **15 Years**  
(21) Appl. No.: **35/510,777**  
(22) Filed: **May 15, 2020**  
(80) **Hague Agreement Data**

Int. Filing Date: **May 15, 2020**  
Int. Reg. No.: **DM/209354**  
Int. Reg. Date: **May 15, 2020**  
Int. Reg. Pub. Date: **Nov. 20, 2020**

(51) **LOC (13) Cl.** ..... **13-02**  
(52) **U.S. Cl.**  
USPC ..... **D13/108**  
(58) **Field of Classification Search**  
USPC ..... D13/107, 108, 110, 103; D3/298, 201, D3/218; D14/223; D9/418  
CPC ..... B65D 83/0044; B65D 65/04; A44B 1/44  
See application file for complete search history.

(56) **References Cited**

**U.S. PATENT DOCUMENTS**

4,097,969 A \* 7/1978 Nysten ..... A44B 1/44  
24/103  
D333,917 S \* 3/1993 Daido ..... D3/218  
D685,771 S \* 7/2013 Bertenthal ..... D14/223  
8,590,703 B2 \* 11/2013 Tierney ..... B65D 65/04  
206/320  
D844,969 S \* 4/2019 Xiao ..... D3/201

**OTHER PUBLICATIONS**

“LG tone . . .” reference dated Oct. 23, 2021 found by RMS on the internet at: <https://www.lg.com/us/headphones/lg-hbs-fn5w-white-tone-free>.\*

*Primary Examiner* — Rhea Shields

(74) *Attorney, Agent, or Firm* — Birch, Stewart, Kolasch & Birch, LLP

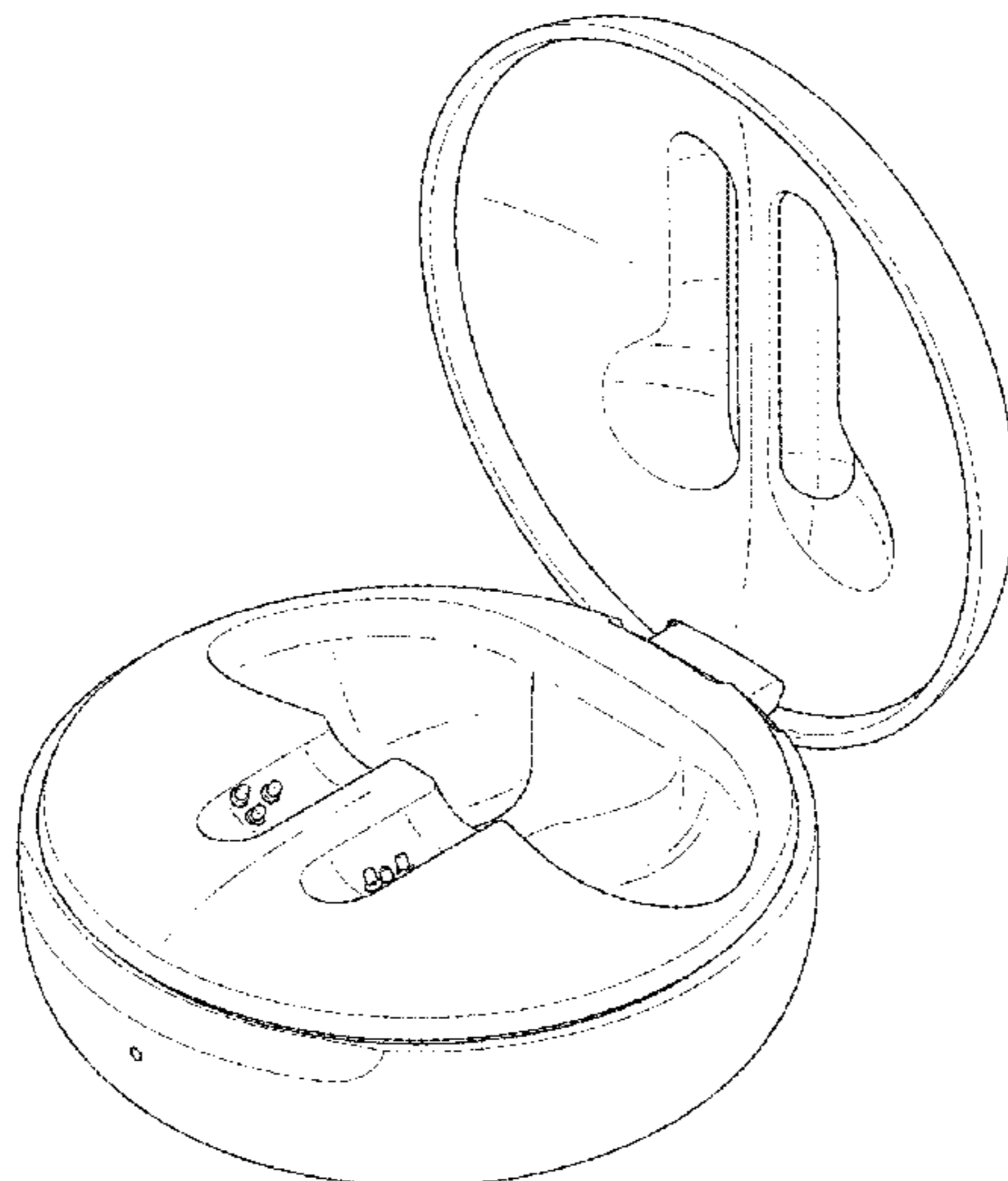
(57) **CLAIM**

The ornamental design for a combined cradle with charging pad for wireless earphones, as shown and described.

**DESCRIPTION**

1. Combined cradle with charging pad for wireless earphones  
1.1 : Perspective  
1.2 : Front  
1.3 : Back  
1.4 : Left  
1.5 : Right  
1.6 : Top  
1.7 : Bottom  
1.8 : Open perspective view shown in an environment  
1.9 : Closed perspective view  
In the reproductions, the broken lines are for the purpose of illustrating portions of the combined cradle with charging pad for wireless earphones that forms no part of the claimed design.

**1 Claim, 9 Drawing Sheets**



(56)

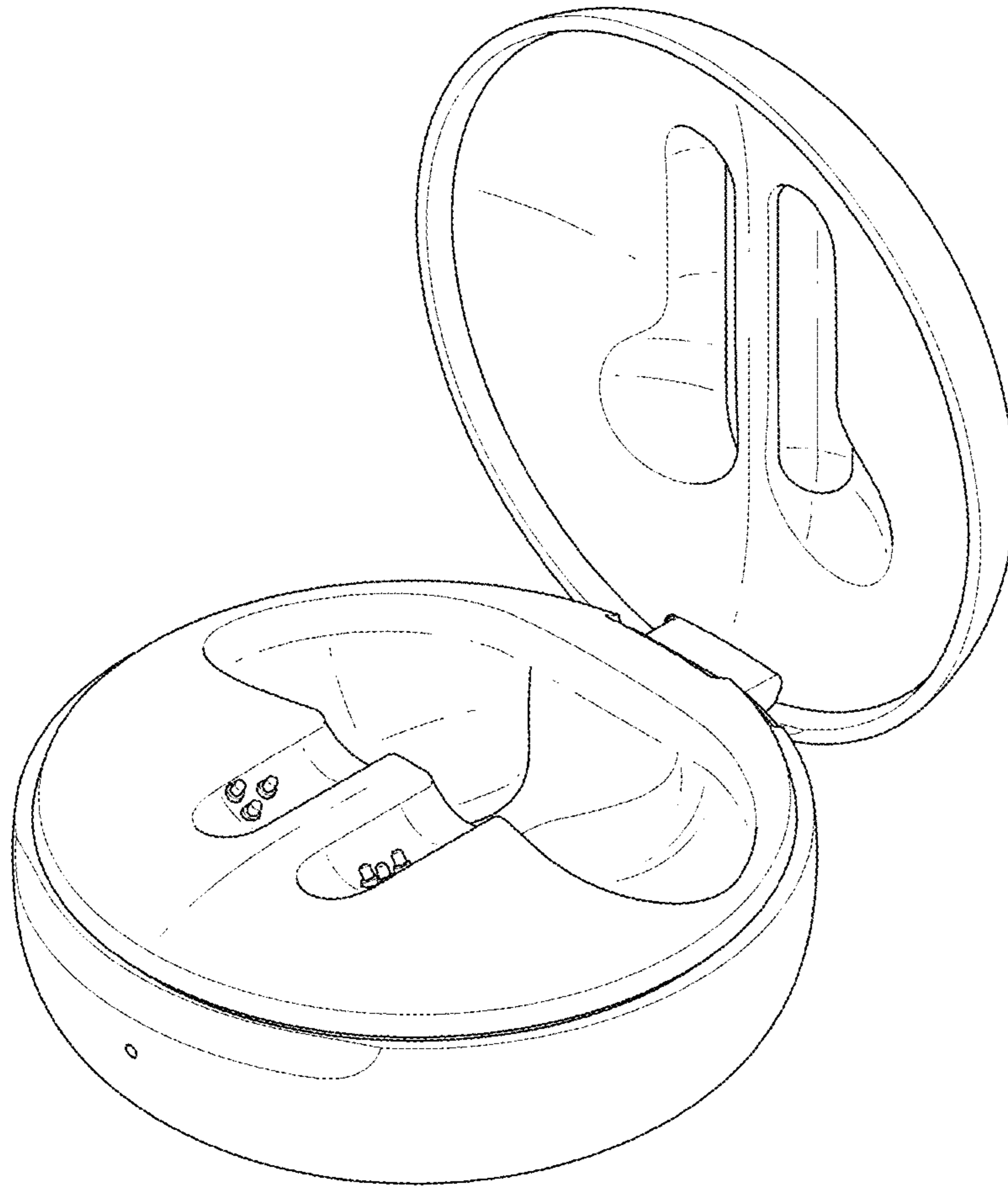
**References Cited**

U.S. PATENT DOCUMENTS

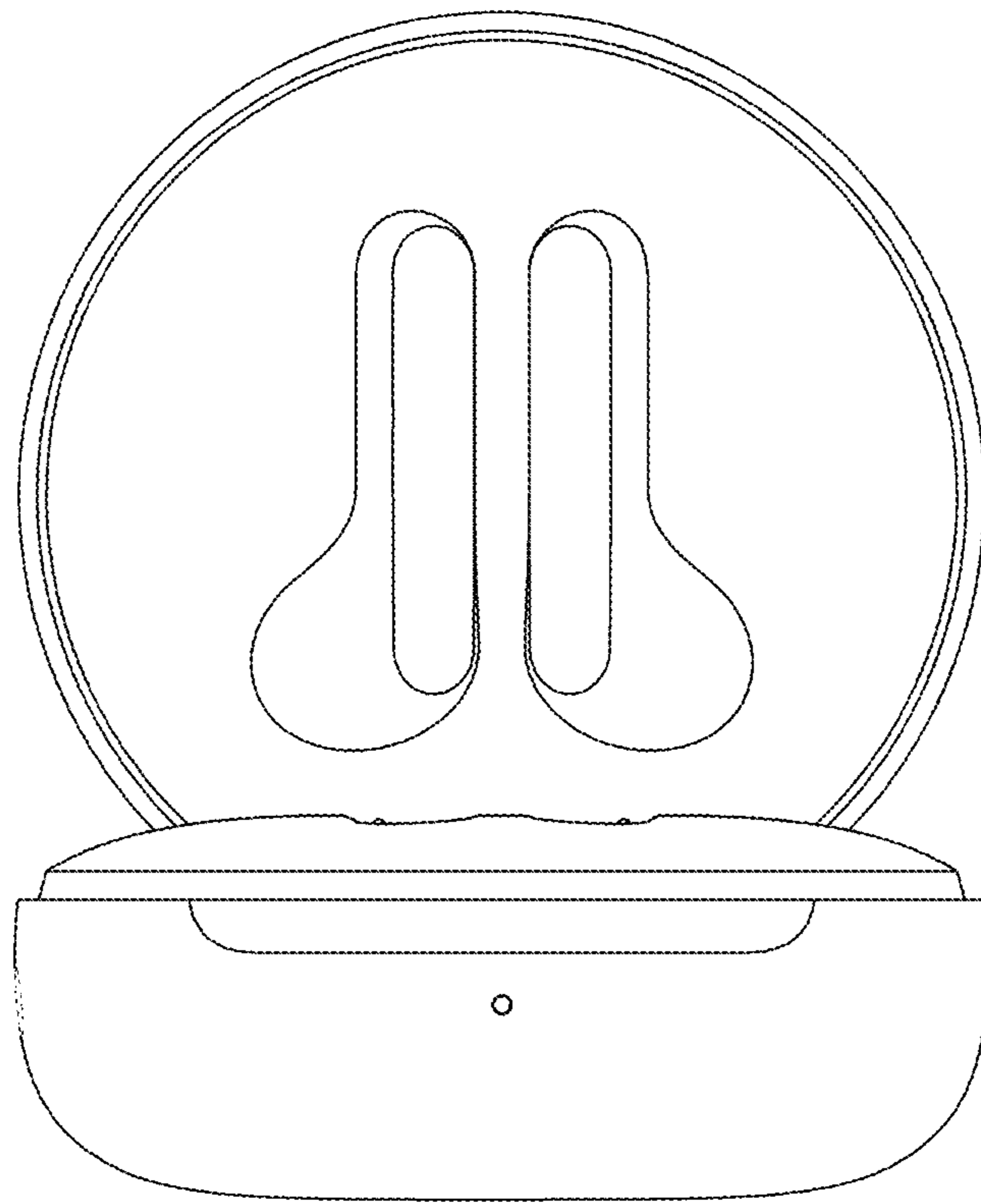
D923,608	S	*	6/2021	Adams	.....	D14/223
D931,207	S	*	9/2021	Briggs	.....	D13/108
2018/0123367	A1	*	5/2018	Higgins	.....	H02J 7/0027
2019/0098985	A1	*	4/2019	Byeon	.....	B65D 83/0044
2020/0304899	A1	*	9/2020	Cramer	.....	H02J 7/0042

\* cited by examiner

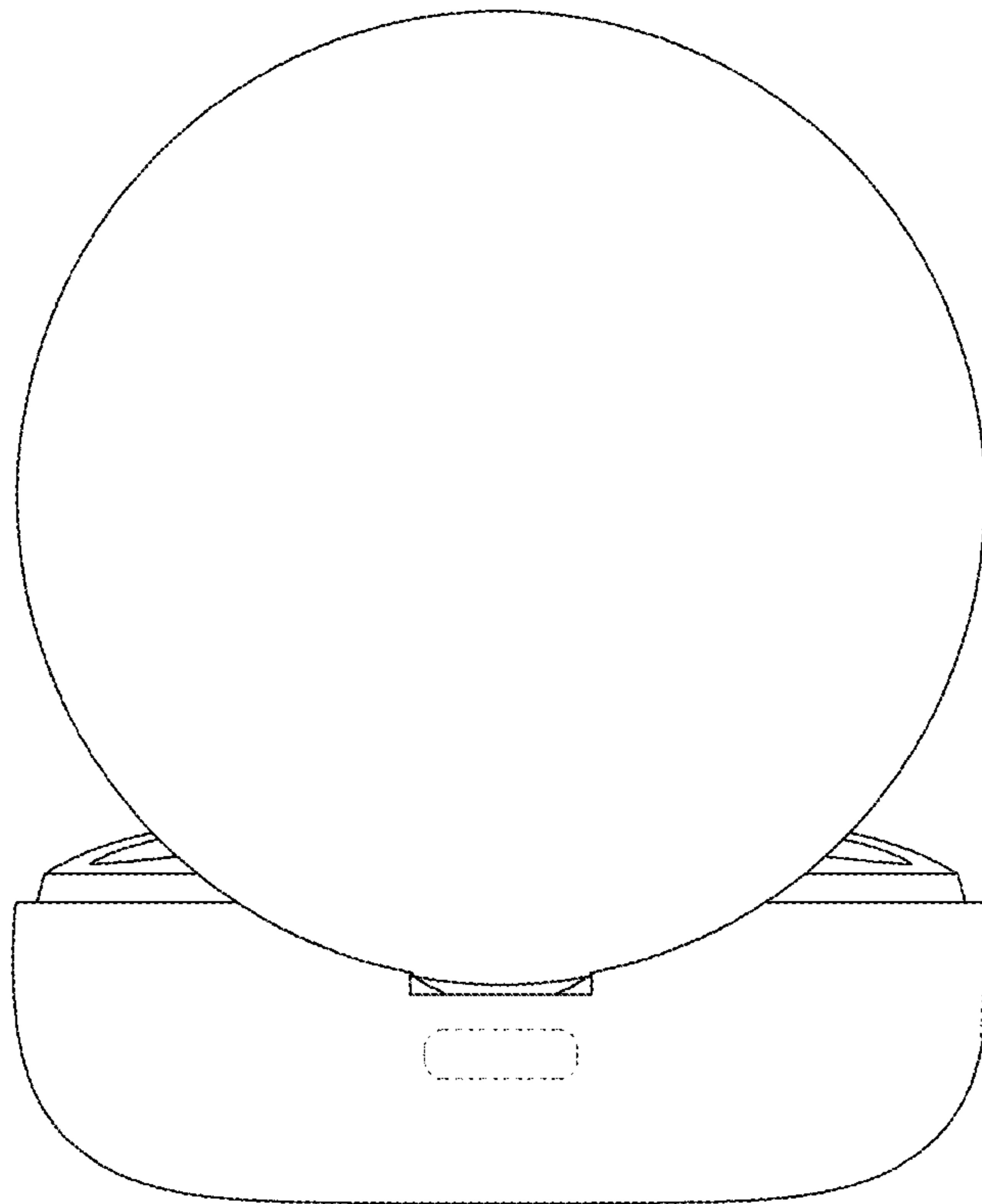
1.1



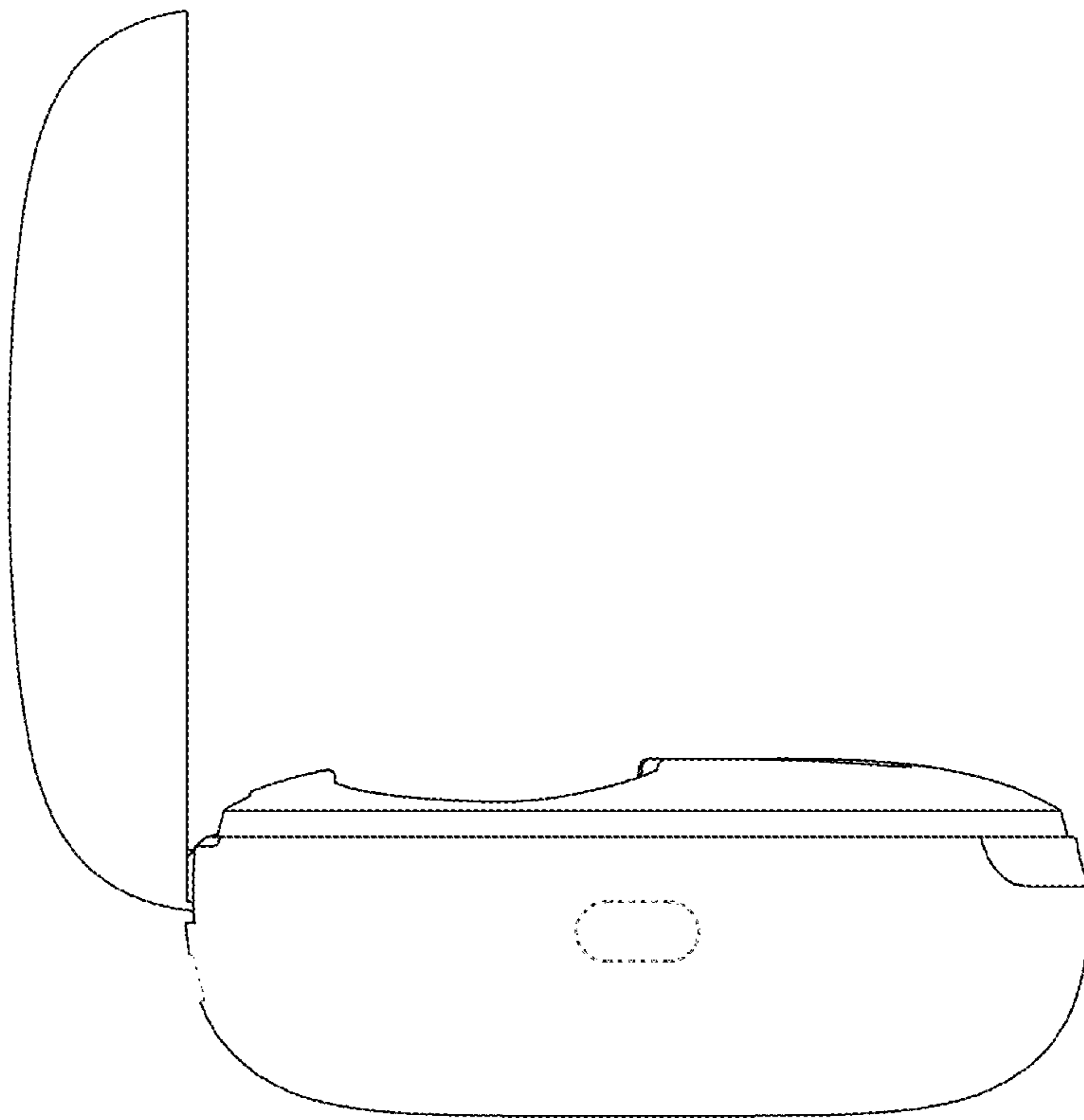
1.2



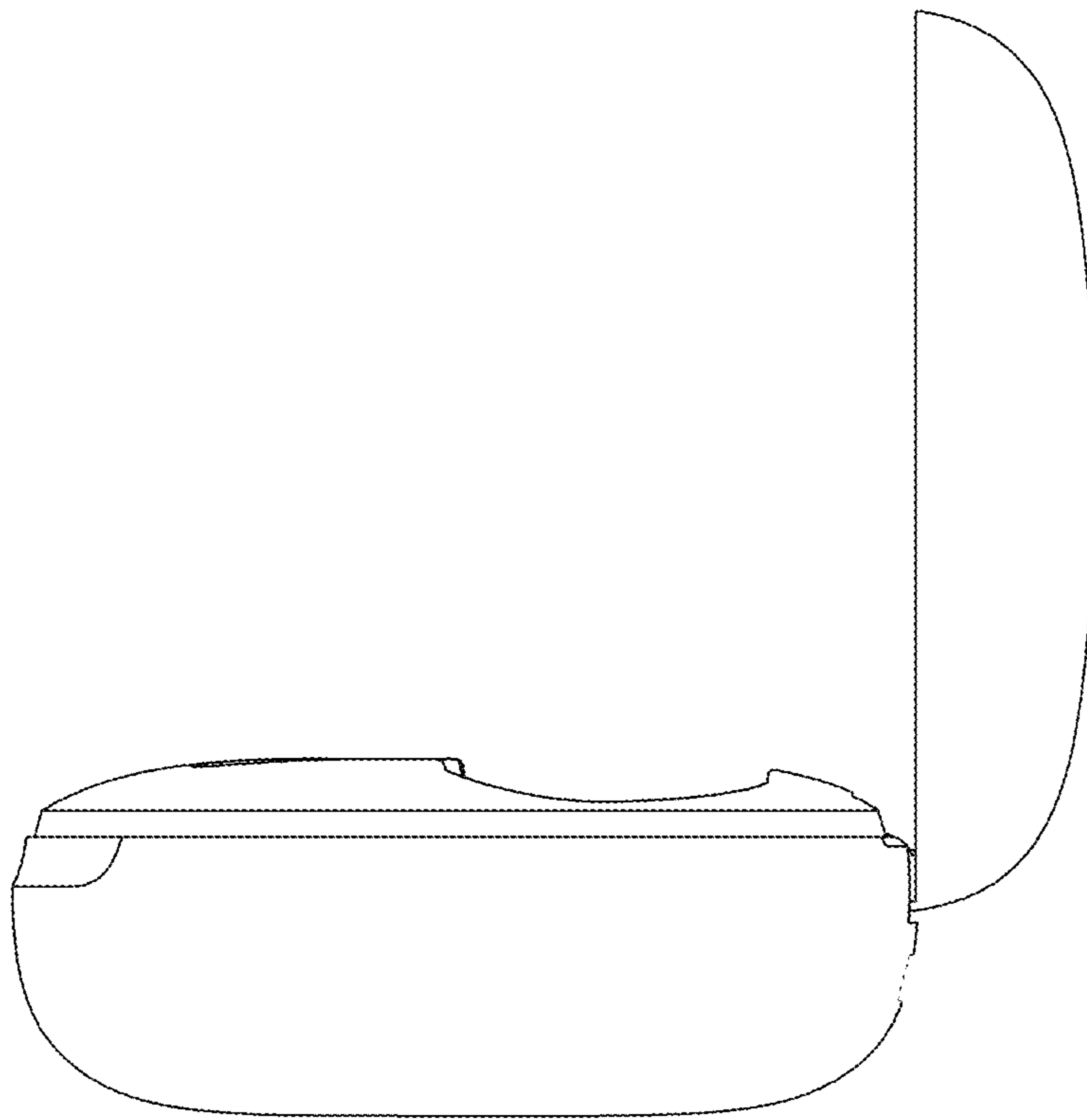
1.3



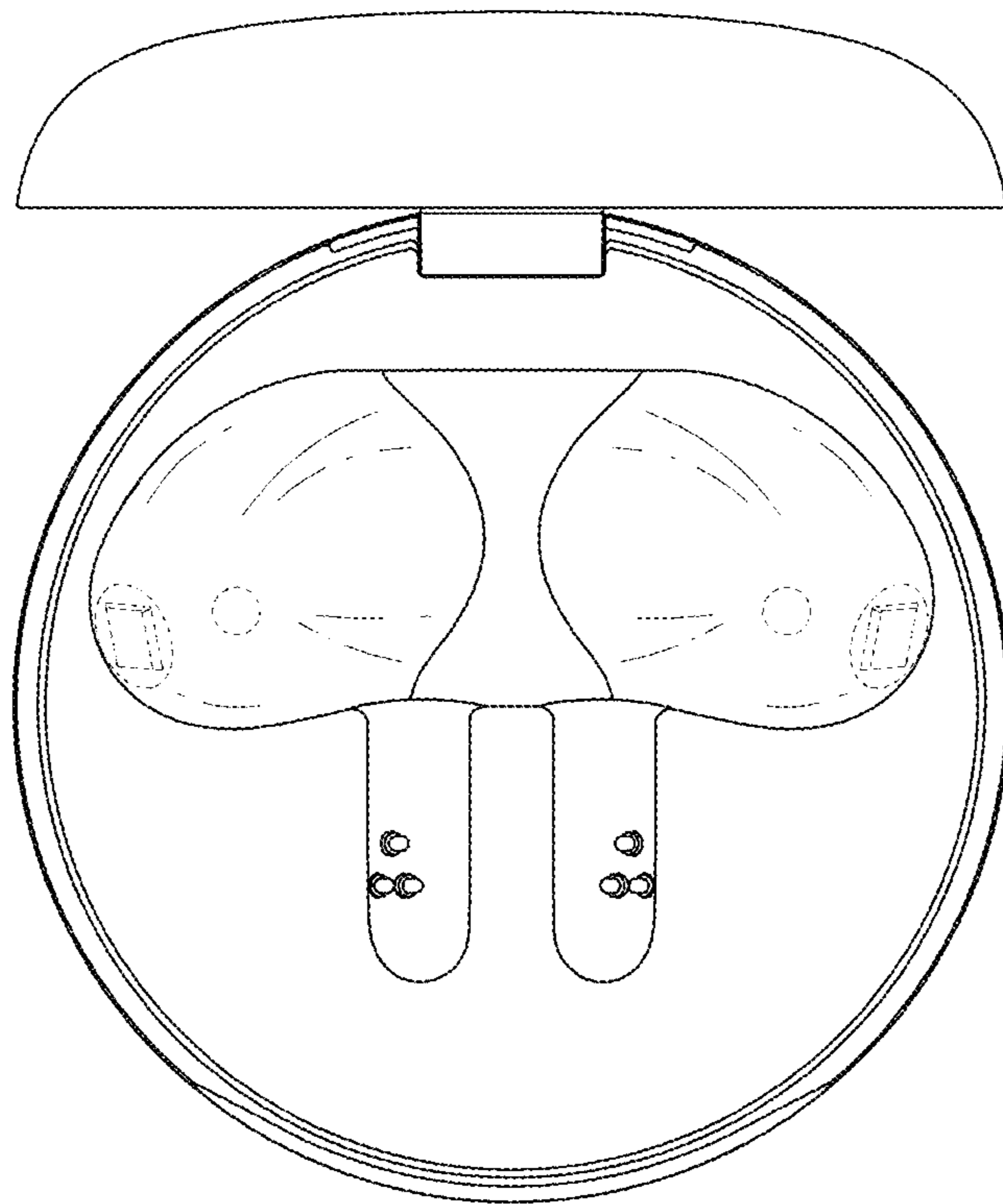
1.4



1.5

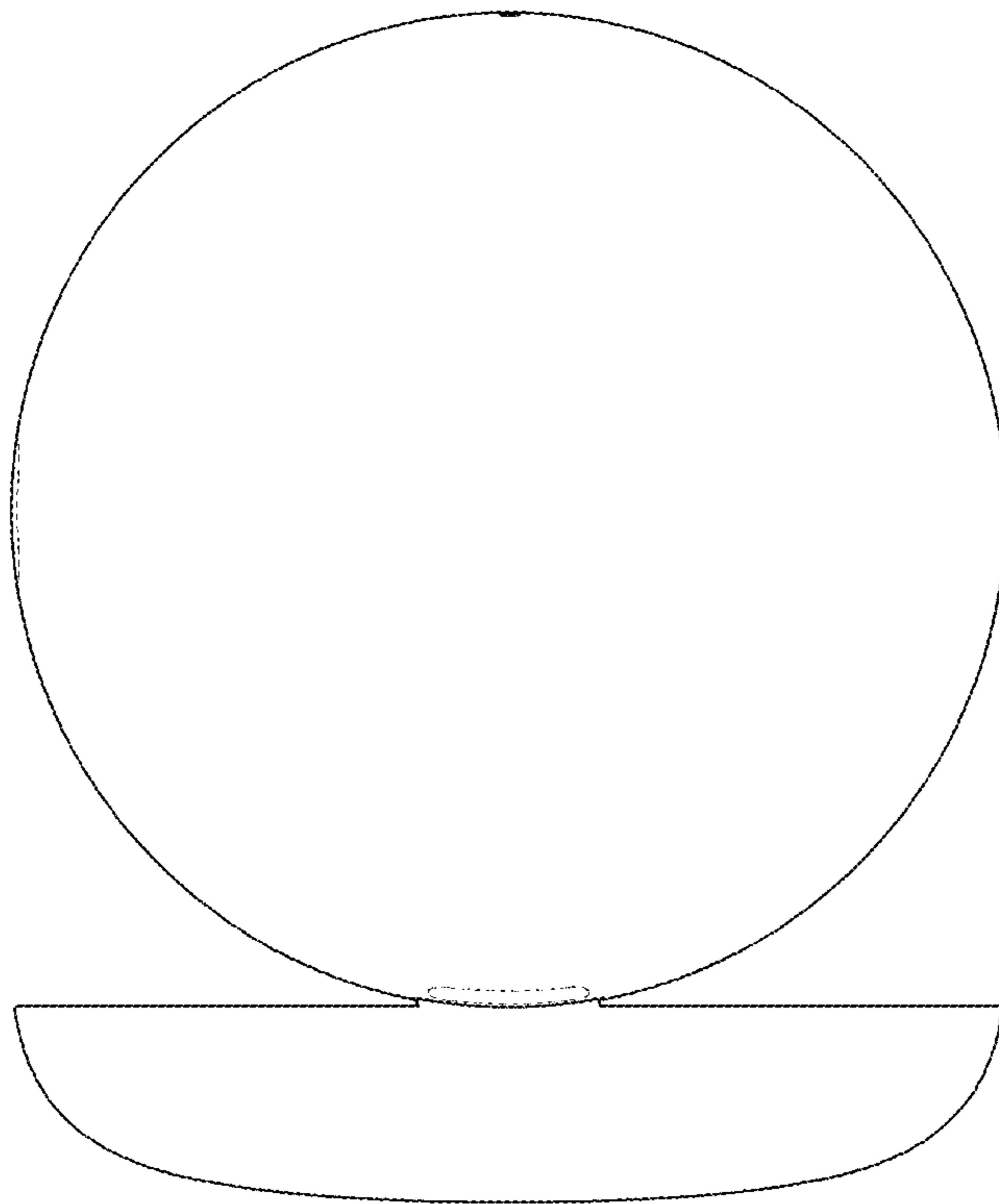


1.6

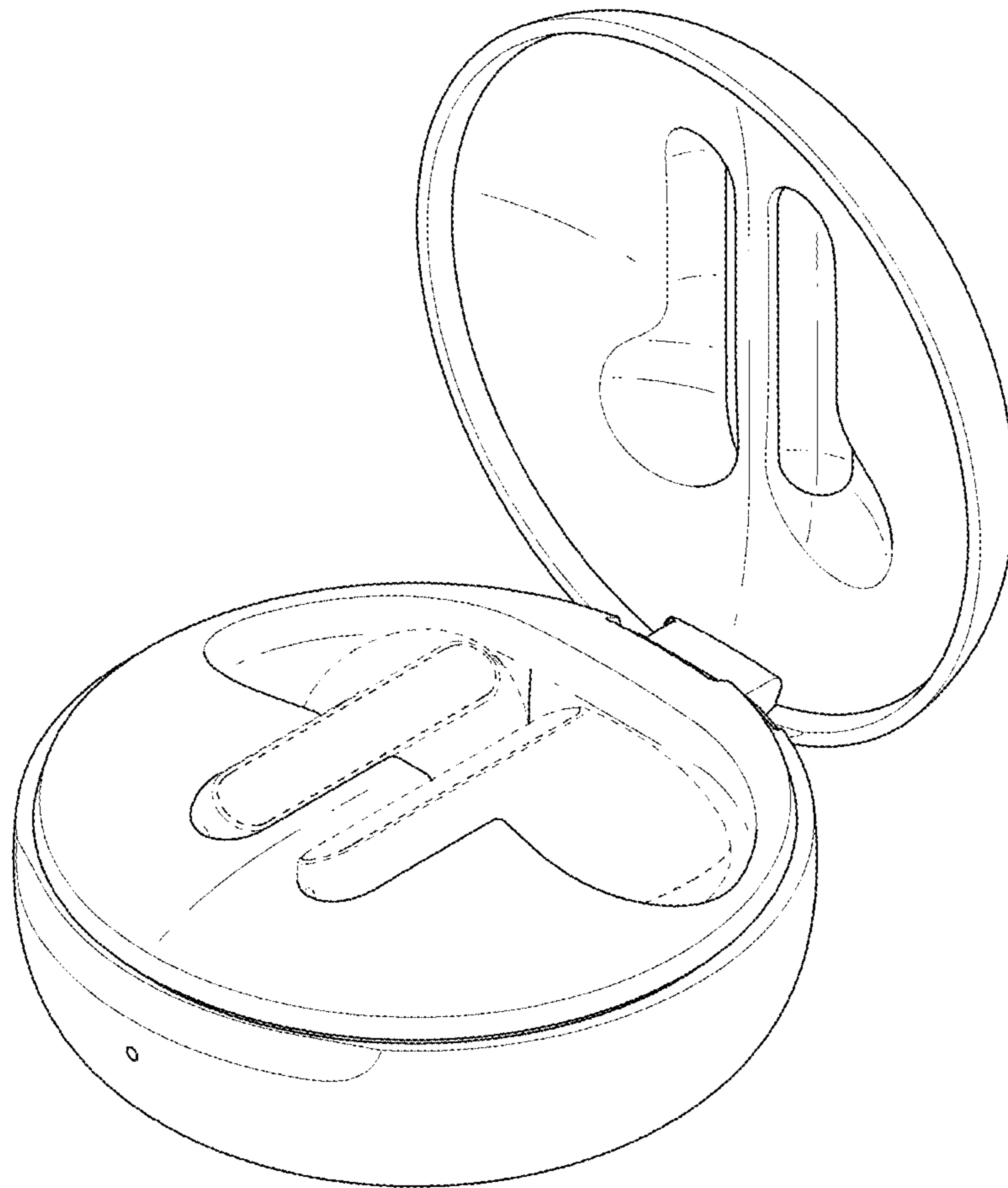




1.7



1.8



1.9

