



US00D953981S

(12) **United States Design Patent** (10) **Patent No.:** **US D953,981 S**  
**Parcon** (45) **Date of Patent:** **\*\* Jun. 7, 2022**

(54) **POWER SUPPLY**

- (71) Applicant: **Critical Tattoo Supply, LLC**, Reno, NV (US)
- (72) Inventor: **Jadeanne Parcon**, Eastvale, CA (US)
- (73) Assignee: **CRITICAL TATTOO SUPPLY, LLC**, Reno, NV (US)
- (\*\*) Term: **15 Years**
- (21) Appl. No.: **29/757,617**
- (22) Filed: **Nov. 6, 2020**
- (51) **LOC (13) Cl.** ..... **13-02**
- (52) **U.S. Cl.**  
USPC ..... **D13/108**
- (58) **Field of Classification Search**  
USPC ..... D13/103, 104, 107, 108, 110, 118, 119, D13/120, 137.1, 137.2  
CPC ..... H02J 7/00047; H02J 15/00; H02J 50/05  
See application file for complete search history.

(56) **References Cited**

**U.S. PATENT DOCUMENTS**

5,793,352	A *	8/1998	Greenberg	.....	G09G 5/006 439/143
D423,450	S *	4/2000	Buckle	.....	D13/103
D550,614	S *	9/2007	Fee	.....	D13/107
D654,431	S *	2/2012	Stephanchick	.....	D13/108
D702,632	S *	4/2014	Salmon	.....	D13/108
D810,015	S *	2/2018	Carreon	.....	D13/108
D837,148	S *	1/2019	Brown	.....	D13/103
D841,573	S *	2/2019	Tyrrell	.....	D13/103
10,367,317	B1 *	7/2019	Rahner	.....	H01R 25/003
D935,403	S *	11/2021	Wu	.....	D13/110
D936,006	S *	11/2021	Siciliano	.....	D13/110
2014/0116744	A1 *	5/2014	Smeja	.....	H02G 3/32 174/50
2017/0021154	A1 *	1/2017	Johansson	.....	A61M 37/0076

**OTHER PUBLICATIONS**

“Critical Atom Foot Switch”. Found online Feb. 23, 2022 at eternalattoosupply.com. Reference dated Jun. 22, 2021. Retrieved from <https://www.eternalattoosupply.com/products/critical-atom-foot-switch>. (Year: 2021).\*

“Critical AtomX Power Supply”. Found online Feb. 23, 2022 at theneedleparlor.com. Reference dated May 16, 2020. Retrieved from <https://theneedleparlor.com/products/epct01-critical-atomx-power-supply>. (Year: 2020).\*

“Dioche Tattoo Foot Pedal Switch”. Found online Feb. 23, 2022 at u-buy.jp. Reference dated Sep. 29, 2020. Retrieved from <https://www.u-buy.jp/en/product/1IWG5LM3C-tattoo-foot-pedal-switch-round-stainless-steel-tattoo-machine-foot-pedal-control-power-cord-controller-for-tattoo-machine-power-tattoo-supplies-tattoo> (Year: 2020).\*

\* cited by examiner

*Primary Examiner* — Kendra Leslie Hamilton  
*Assistant Examiner* — Amanda Christensen

(74) *Attorney, Agent, or Firm* — Kevin Schraven; Anooj Patel; Hankin Patent Law, APC

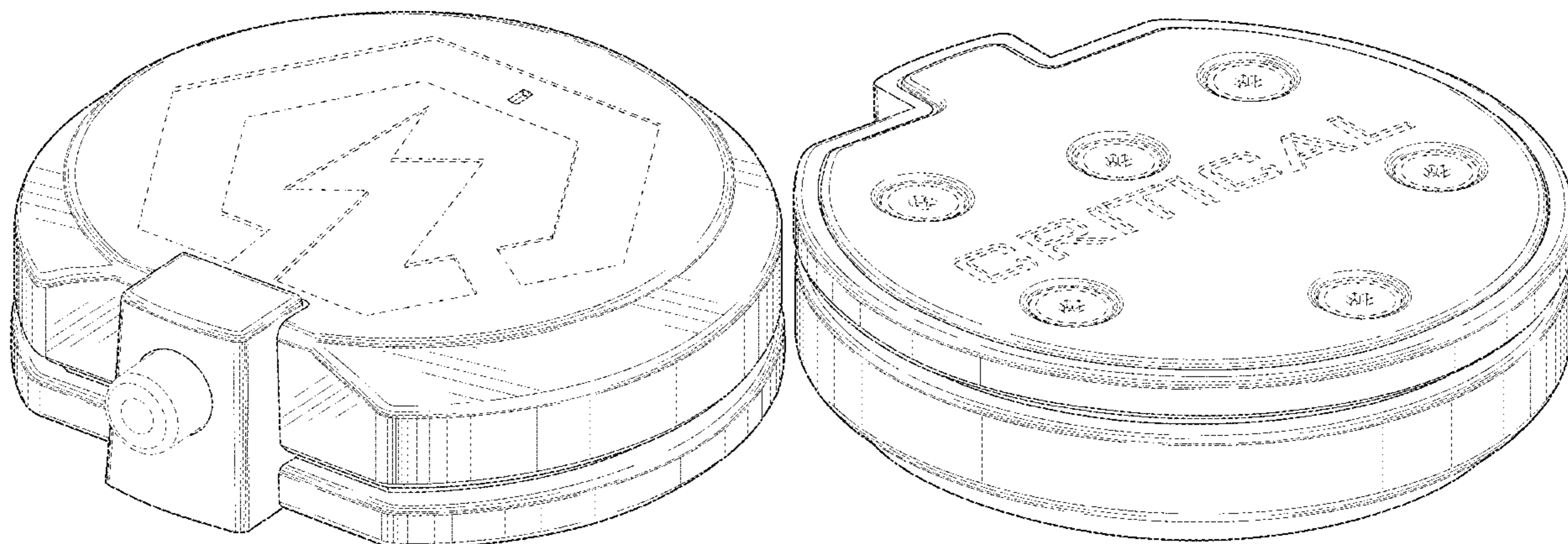
(57) **CLAIM**

The ornamental design for a power supply, as shown and described.

**DESCRIPTION**

FIG. 1 is a top perspective view of a power supply, showing my new design.  
FIG. 2 is a bottom perspective view thereof.  
FIG. 3 is a rear elevational view thereof.  
FIG. 4 is a front elevational view thereof.  
FIG. 5 is right-side elevational view thereof.  
FIG. 6 is a left-side elevational view thereof.  
FIG. 7 is a top plan view thereof; and,  
FIG. 8 is a bottom plan view thereof.  
The broken lines in the drawings depict portions of the power supply that form no part of the claimed design.

**1 Claim, 8 Drawing Sheets**



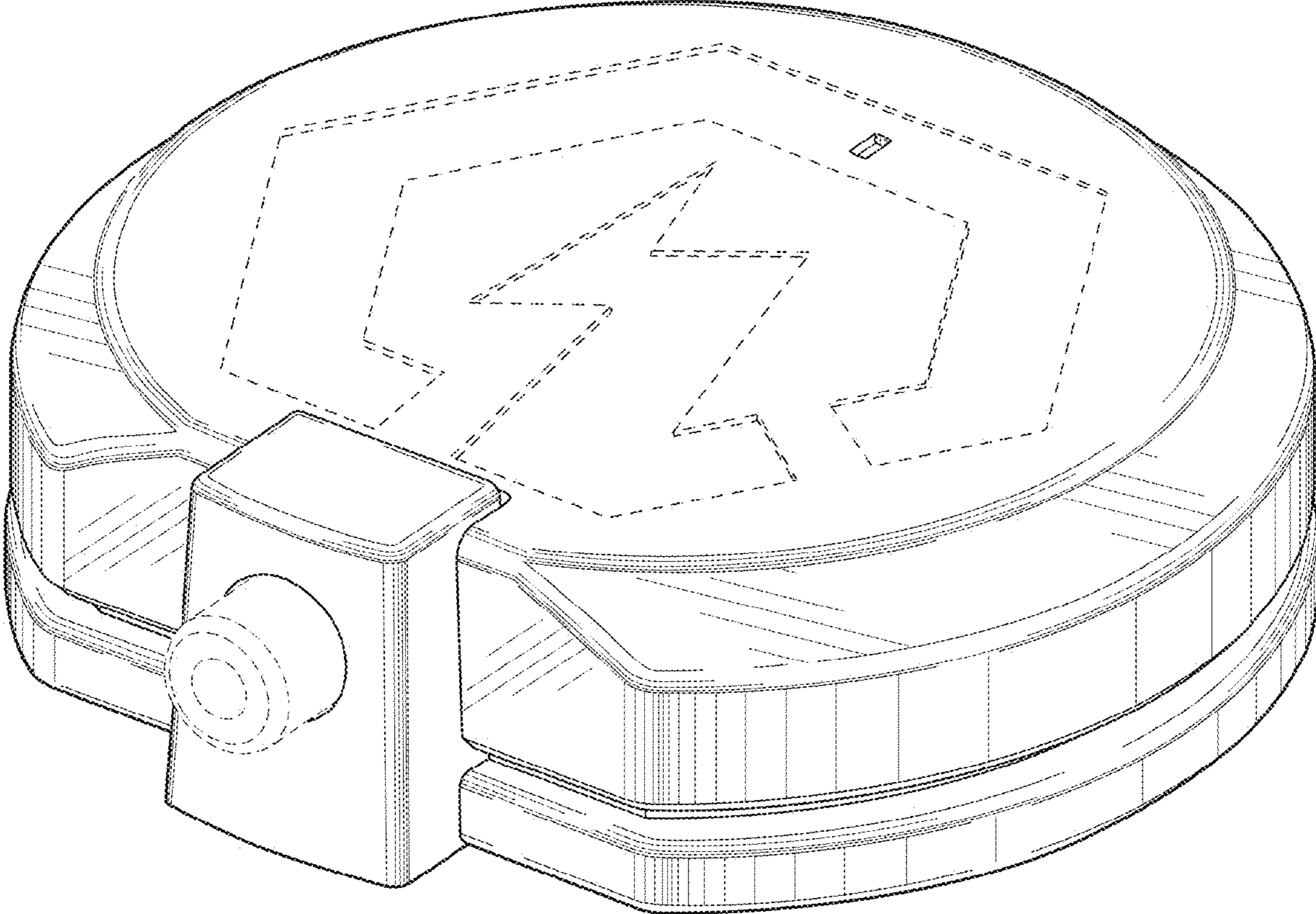


Fig.1

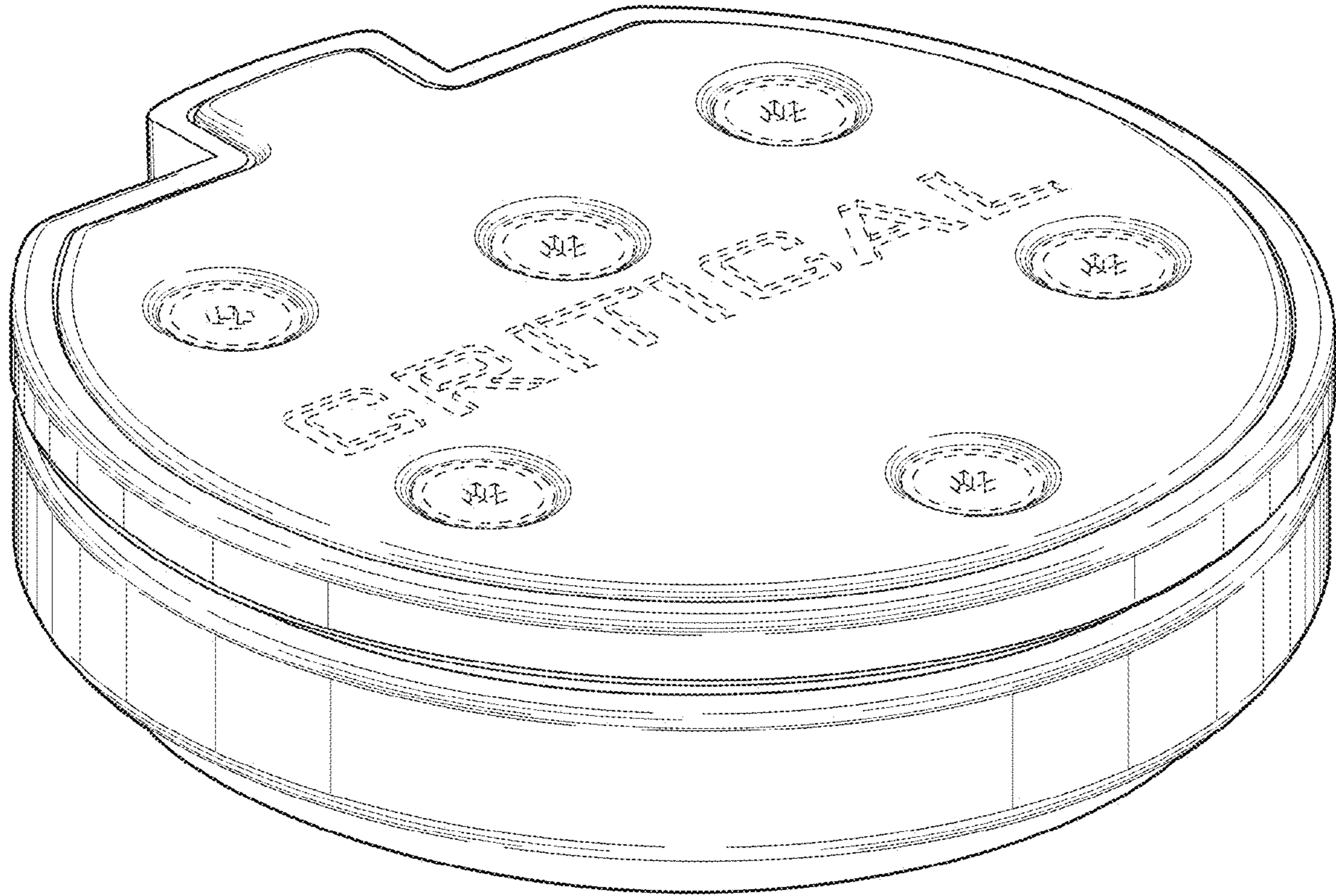


Fig.2

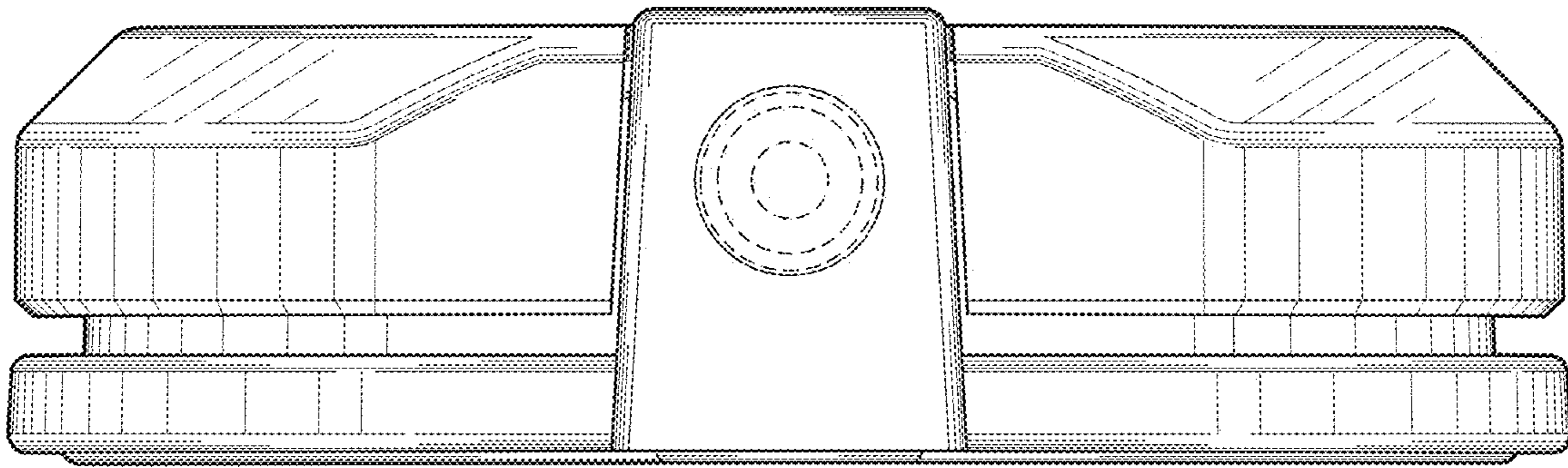


Fig.3

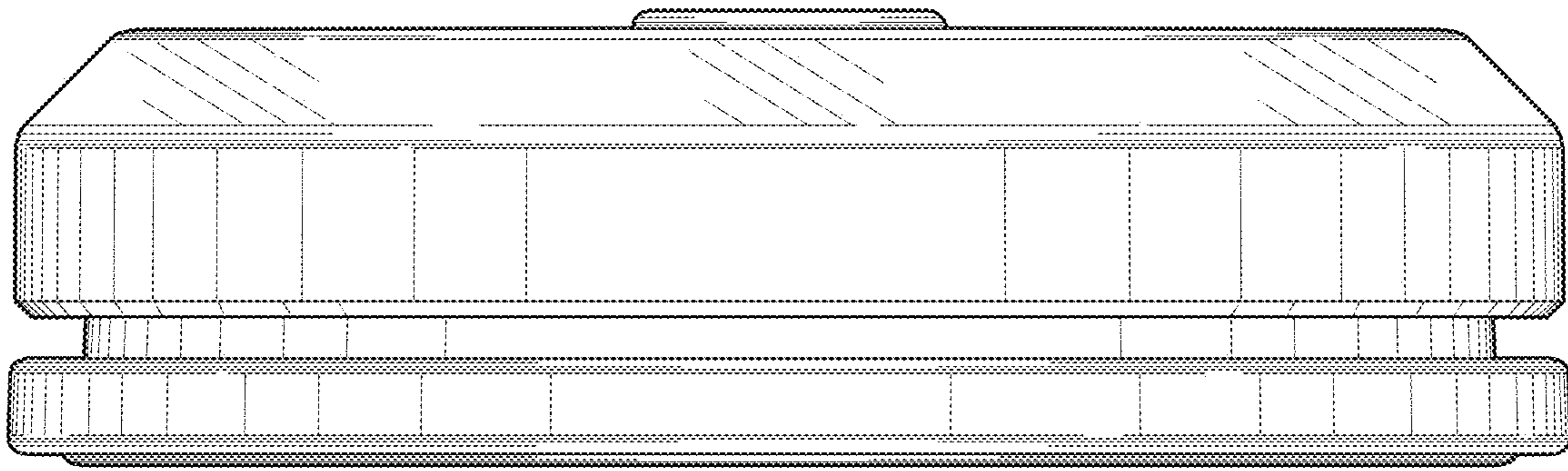


Fig.4

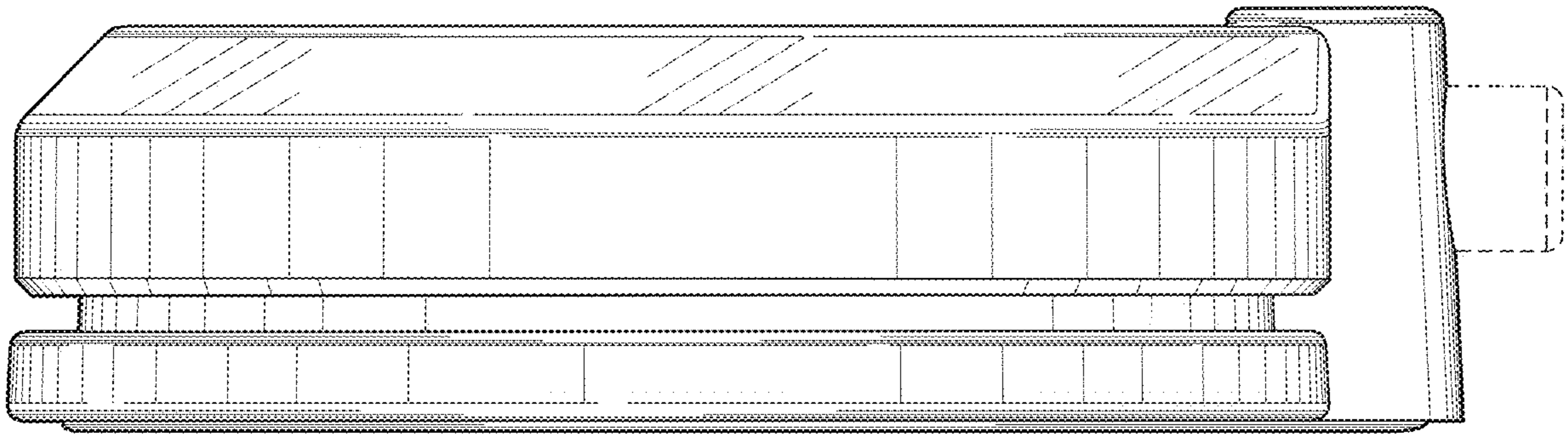


Fig.5

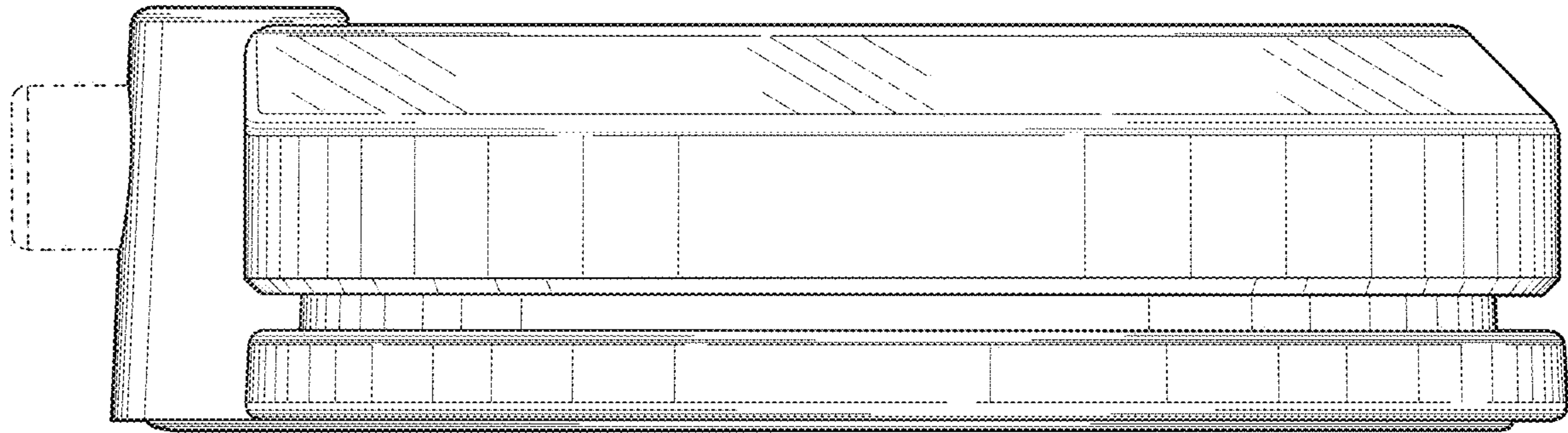


Fig.6

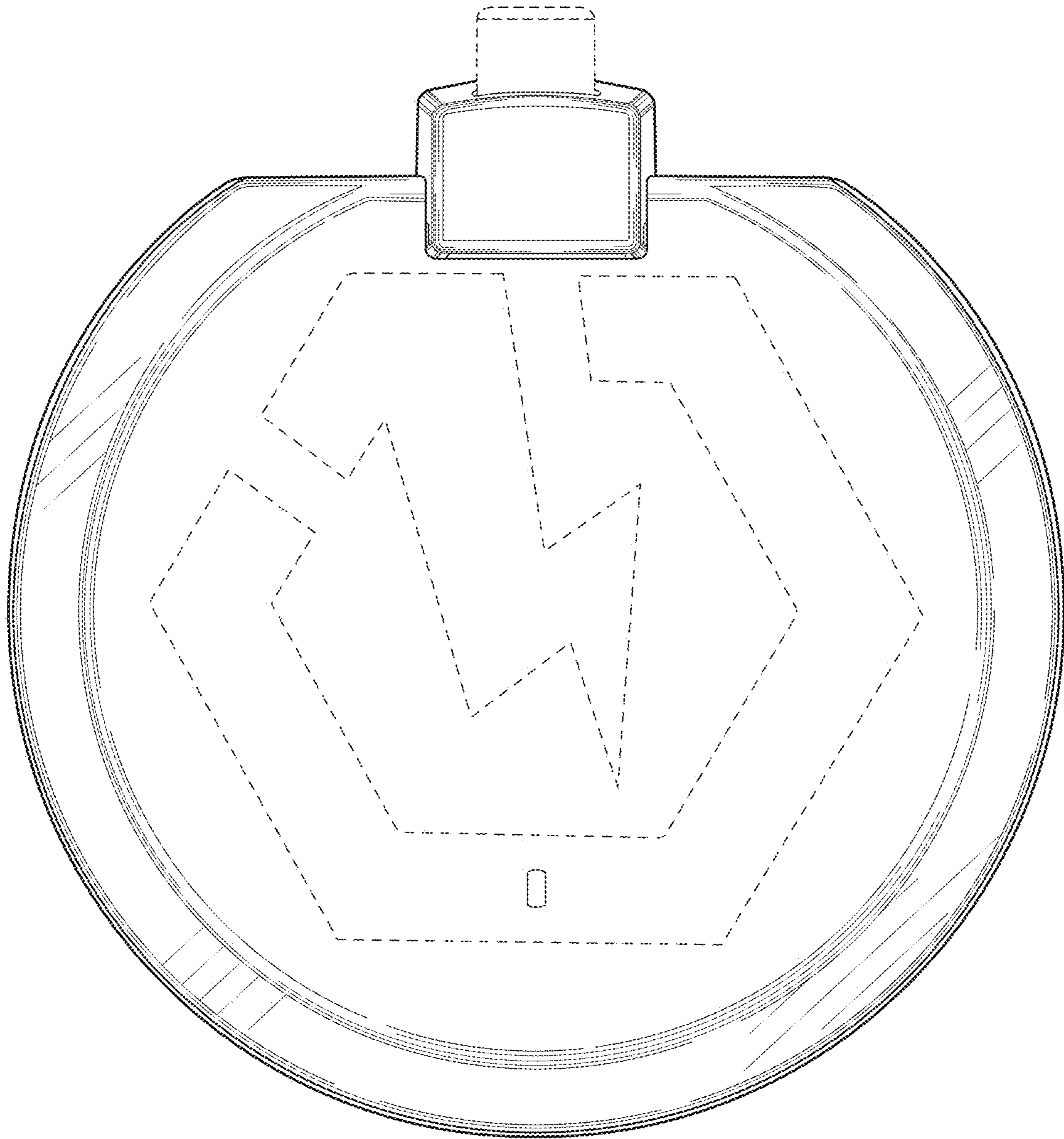


Fig. 7



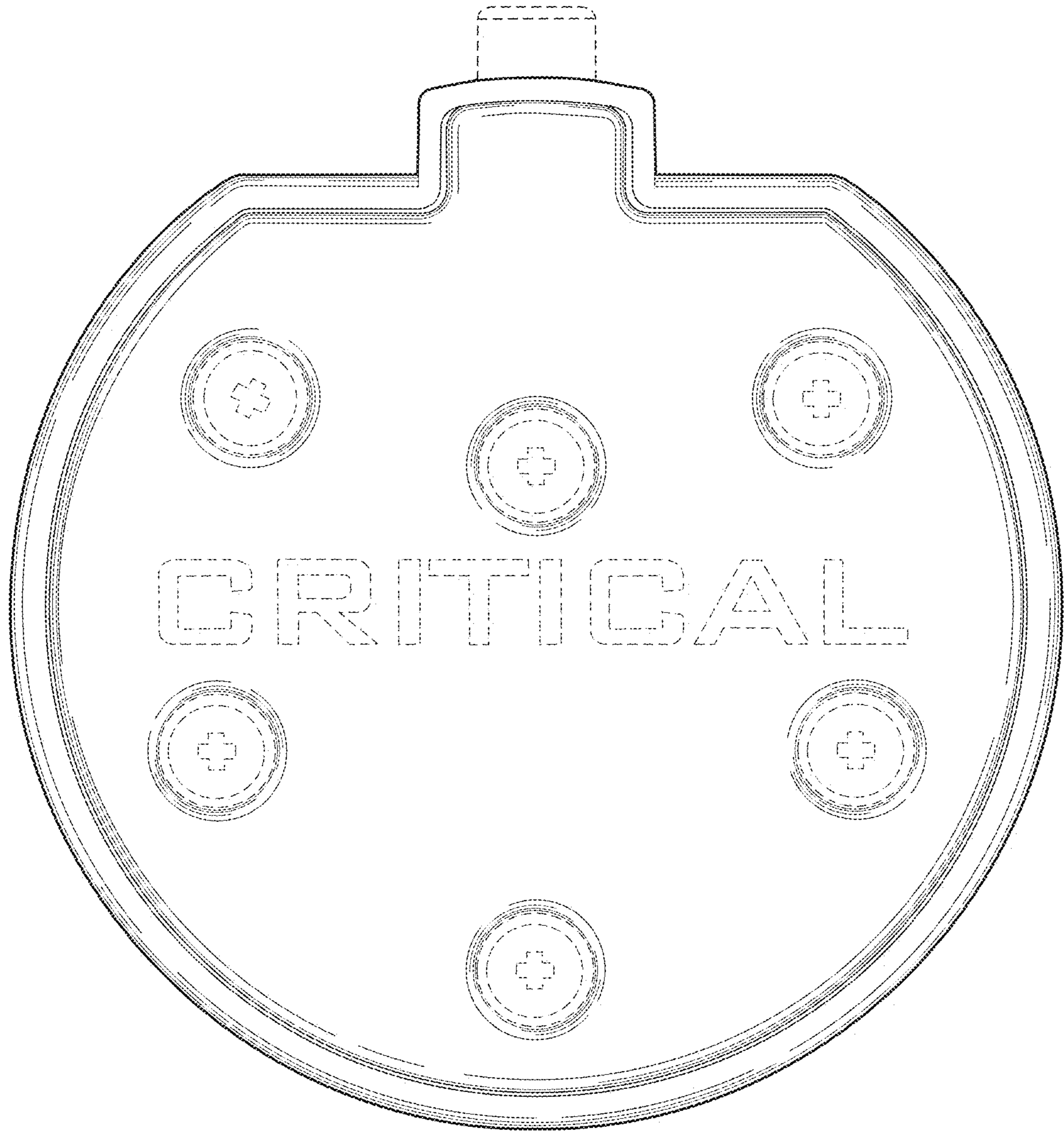


Fig. 8