



US00D953979S

(12) **United States Design Patent** (10) **Patent No.:** **US D953,979 S**
Aulwes et al. (45) **Date of Patent:** **** Jun. 7, 2022**

(54) **CHARGING STAND FOR HAIR CLIPPER**
(71) Applicant: **WAHL CLIPPER CORPORATION**,
Sterling, IL (US)
(72) Inventors: **Chad Aulwes**, Sterling, IL (US); **Jeff Fleming**,
Silvis, IL (US); **Eric Fisher**, Sterling, IL (US)
(73) Assignee: **WAHL CLIPPER CORPORATION**,
Sterling, IL (US)

D512,841 S 12/2005 Dirks
D513,346 S 12/2005 Buck, Jr.
D519,682 S 4/2006 Choi
7,057,374 B2 6/2006 Freas et al.
D524,484 S * 7/2006 Winkler D28/49
D524,988 S 7/2006 Nielsen et al.
7,102,328 B2 9/2006 Long et al.
D549,707 S * 8/2007 Depay D14/434
7,519,392 B2 * 4/2009 Kwak H04M 1/72409
455/554.2

(Continued)

(**) Term: **15 Years**

(21) Appl. No.: **29/739,346**

(22) Filed: **Jun. 24, 2020**

(51) **LOC (13) Cl.** **13-02**

(52) **U.S. Cl.**
USPC **D13/108**

(58) **Field of Classification Search**
USPC D13/103, 107, 108, 118, 119, 184;
D6/524, 526; D14/142, 149, 209.1, 251,
D14/434, 435.1; D28/44, 45, 49
CPC H02J 7/0044; H02J 50/00; H02J 7/02
See application file for complete search history.

(56) **References Cited**

U.S. PATENT DOCUMENTS

D360,485 S 7/1995 Simonelli
D368,892 S * 4/1996 Tanaka D13/108
D428,597 S * 7/2000 Murata D13/108
D429,376 S * 8/2000 Nagano D28/49
6,127,802 A * 10/2000 Lloyd H02J 7/0044
320/113
D435,938 S 1/2001 Bushman
D436,576 S * 1/2001 Herrmann D13/107
D463,361 S * 9/2002 Ruohonen D13/108
D465,304 S 11/2002 Bushman
D469,221 S 1/2003 Cozzolino et al.
D486,786 S * 2/2004 Eroma D13/108
D501,955 S 2/2005 Long et al.
D512,686 S 12/2005 Langley et al.

OTHER PUBLICATIONS

“Wahl Professional Cordless Clipper Charge Stand”. Found online Aug. 10, 2021 at youtube.com. Reference dated May 25, 2021. Retrieved from <https://www.youtube.com/watch?v=x84FONexWd8>. (Year: 2021).*

(Continued)

Primary Examiner — Kendra Leslie Hamilton
Assistant Examiner — Amanda Christensen
(74) *Attorney, Agent, or Firm* — Greer, Burns & Crain, Ltd

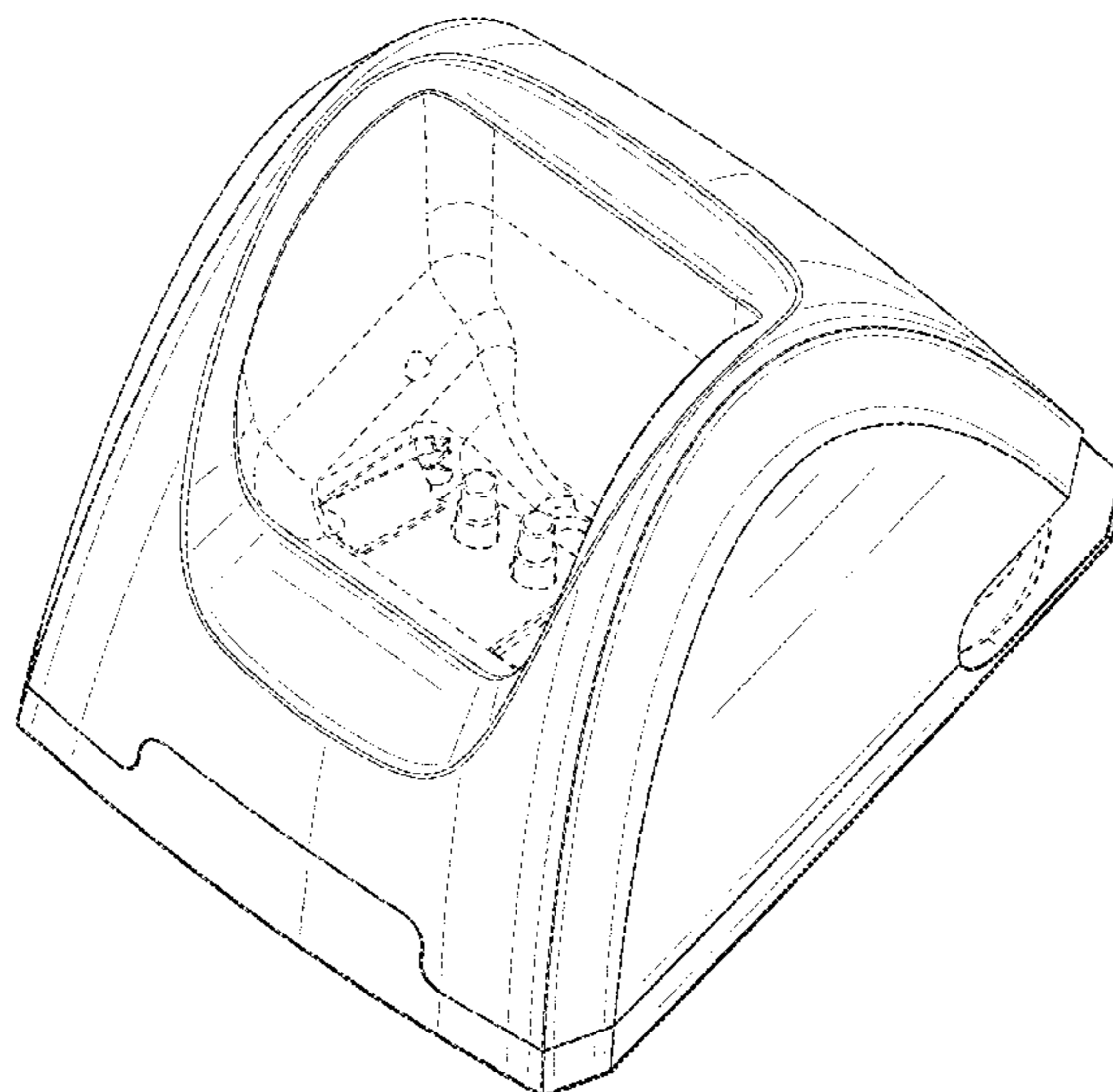
(57) **CLAIM**

The ornamental design for a charging stand for hair clipper, as shown and described.

DESCRIPTION

FIG. 1 is a top, front, right side perspective view of a charging stand for hair clipper;
FIG. 2 is a front view thereof;
FIG. 3 is a rear view thereof;
FIG. 4 is a left side view thereof;
FIG. 5 is a right side view thereof;
FIG. 6 is a top view thereof; and,
FIG. 7 is a bottom view thereof.
The broken lines depict portions of the charging stand for hair clipper that form no part of the claimed design.

1 Claim, 7 Drawing Sheets



(56)

References Cited

U.S. PATENT DOCUMENTS

D623,641 S * 9/2010 Harden D14/253
D717,290 S * 11/2014 Shen D14/253
2020/0169100 A1* 5/2020 Vock H02J 7/0044

OTHER PUBLICATIONS

“Hatteker Hair Clippers”. Found online Dec. 30, 2020 at amazon.com. Reference dated Apr. 1, 2019. Retrieved from https://www.amazon.com/gp/product/B07PJ651F3/ref=as_li_tl. (Year: 2019).*

“Uniden Handsets”. Found online Aug. 11, 2021 at salestores.com. Reference dated Feb. 6, 2008. Retrieved from https://tineye.com/search/dc04c6398e5e83d3cdffc472a5ebd8257c2b46e3?sort=crawl_date&order=asc&page=1. (Year: 2008).*

* cited by examiner

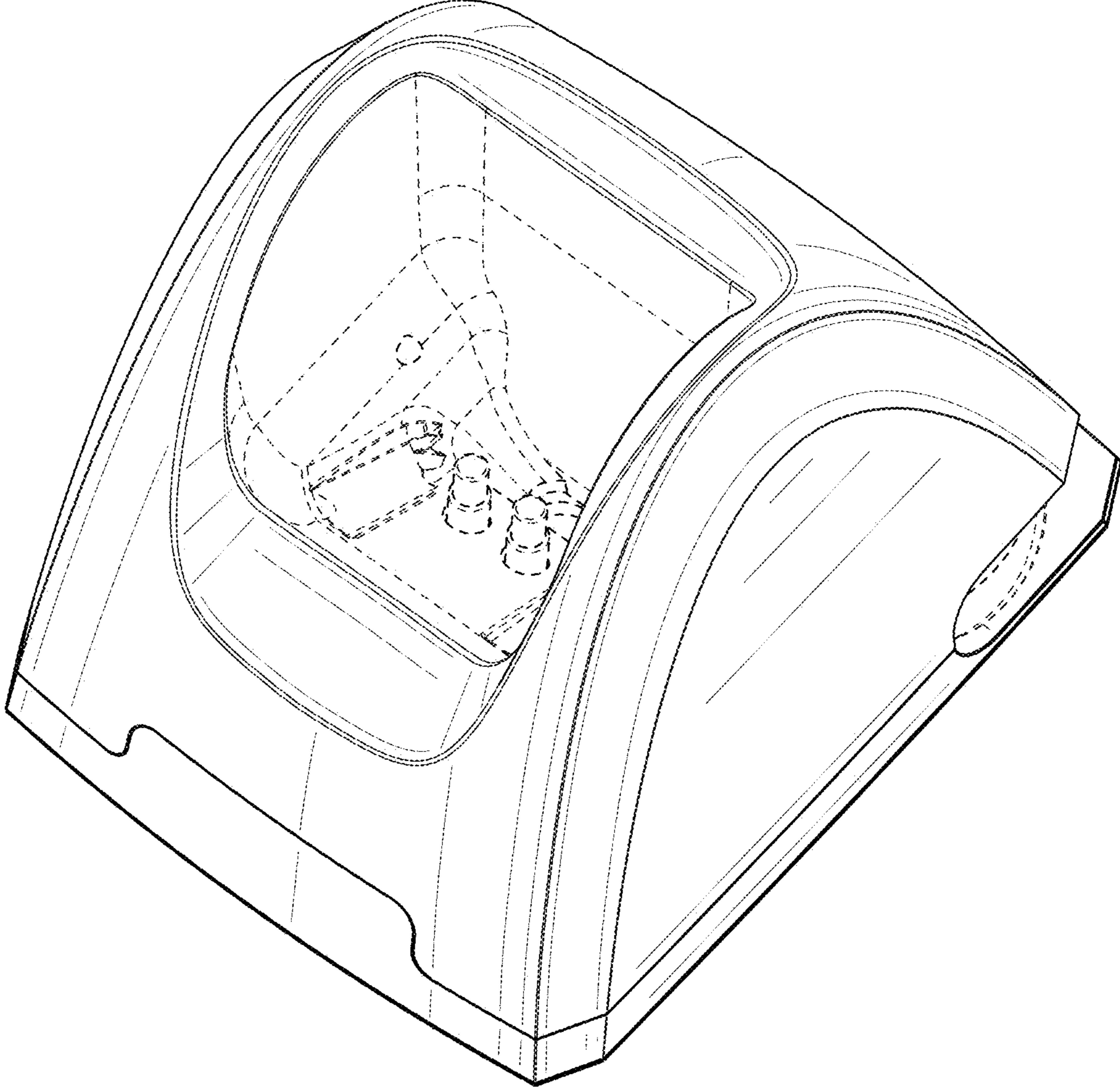


FIG. 1

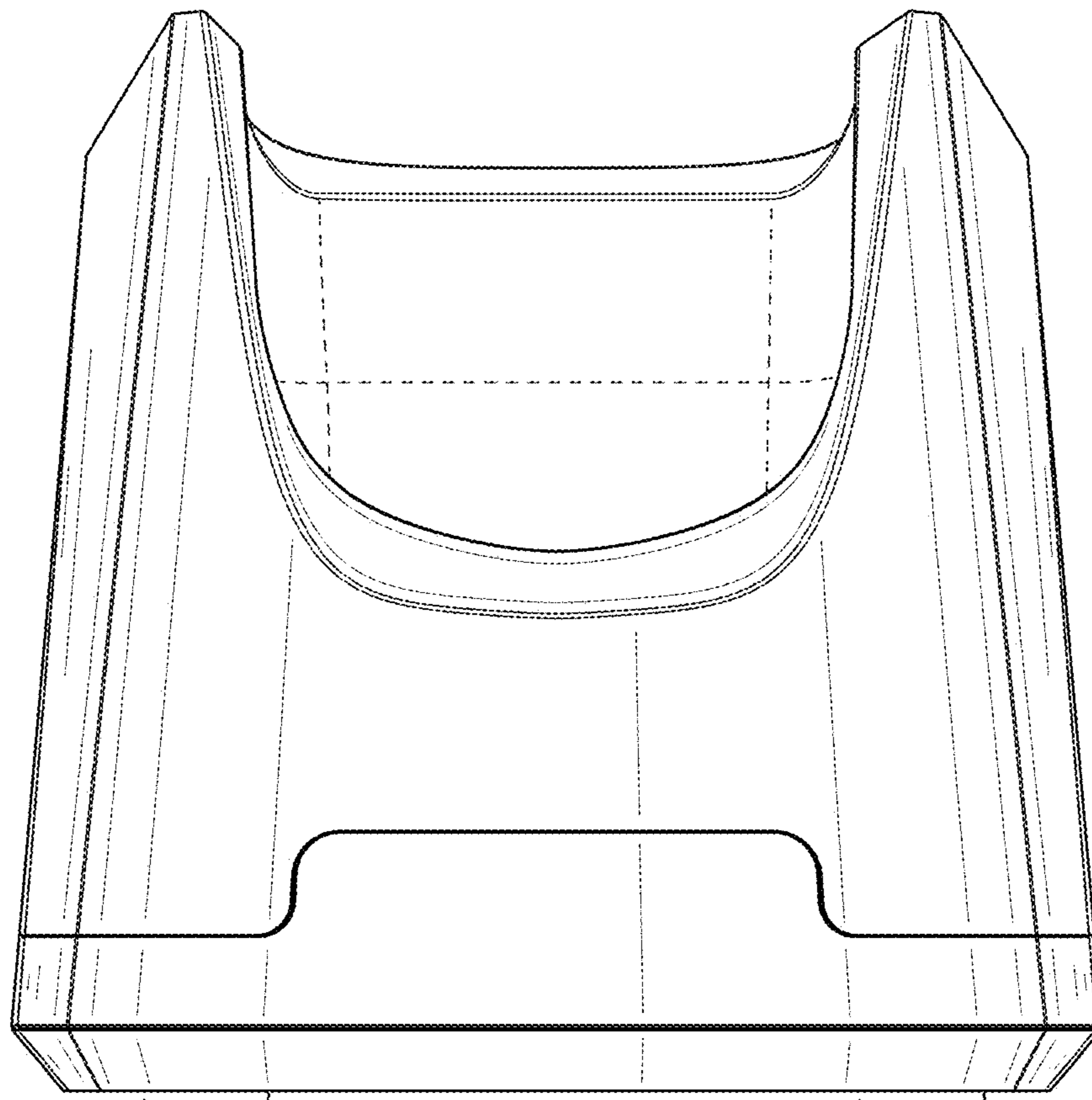


FIG. 2

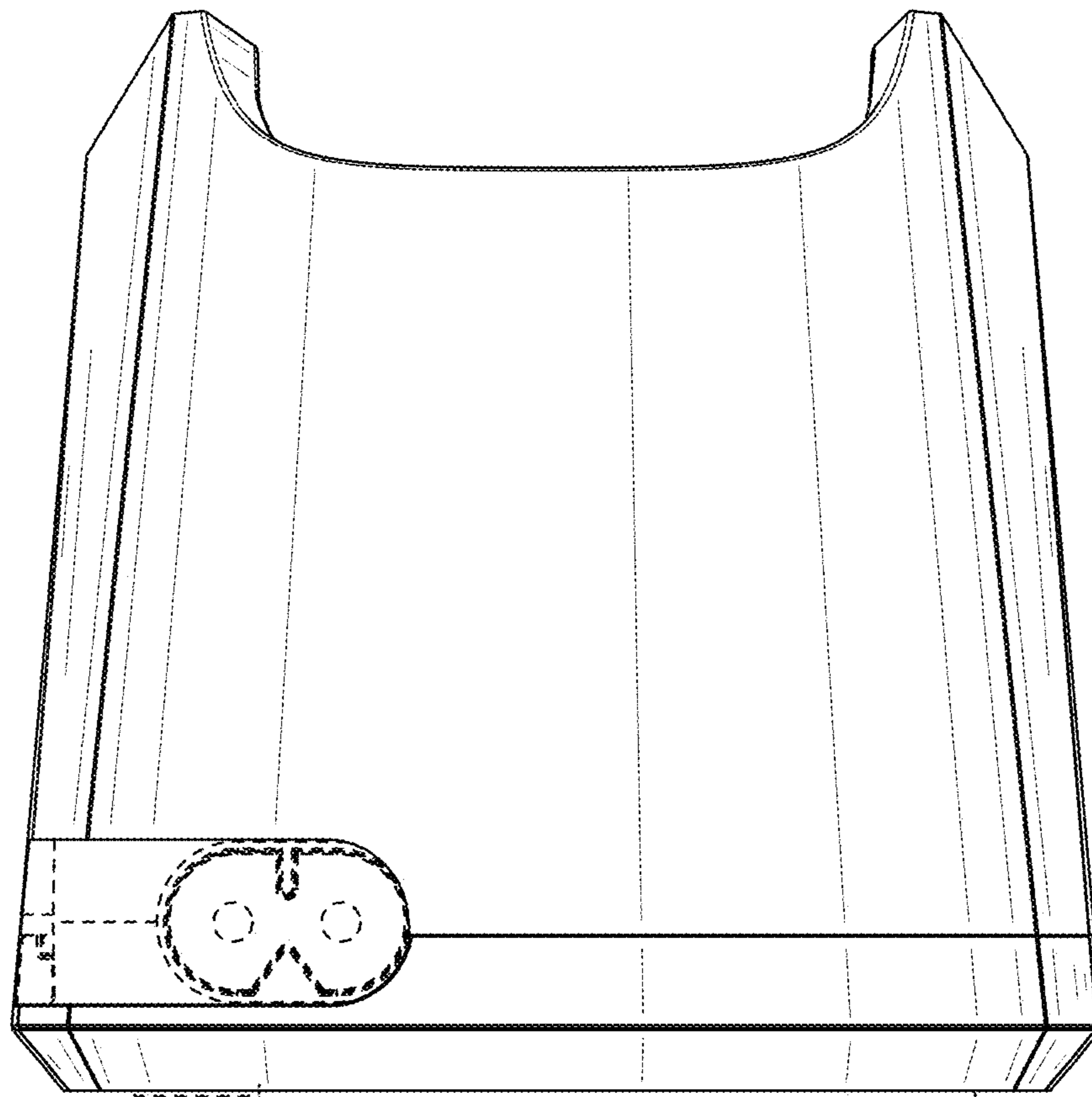


FIG. 3

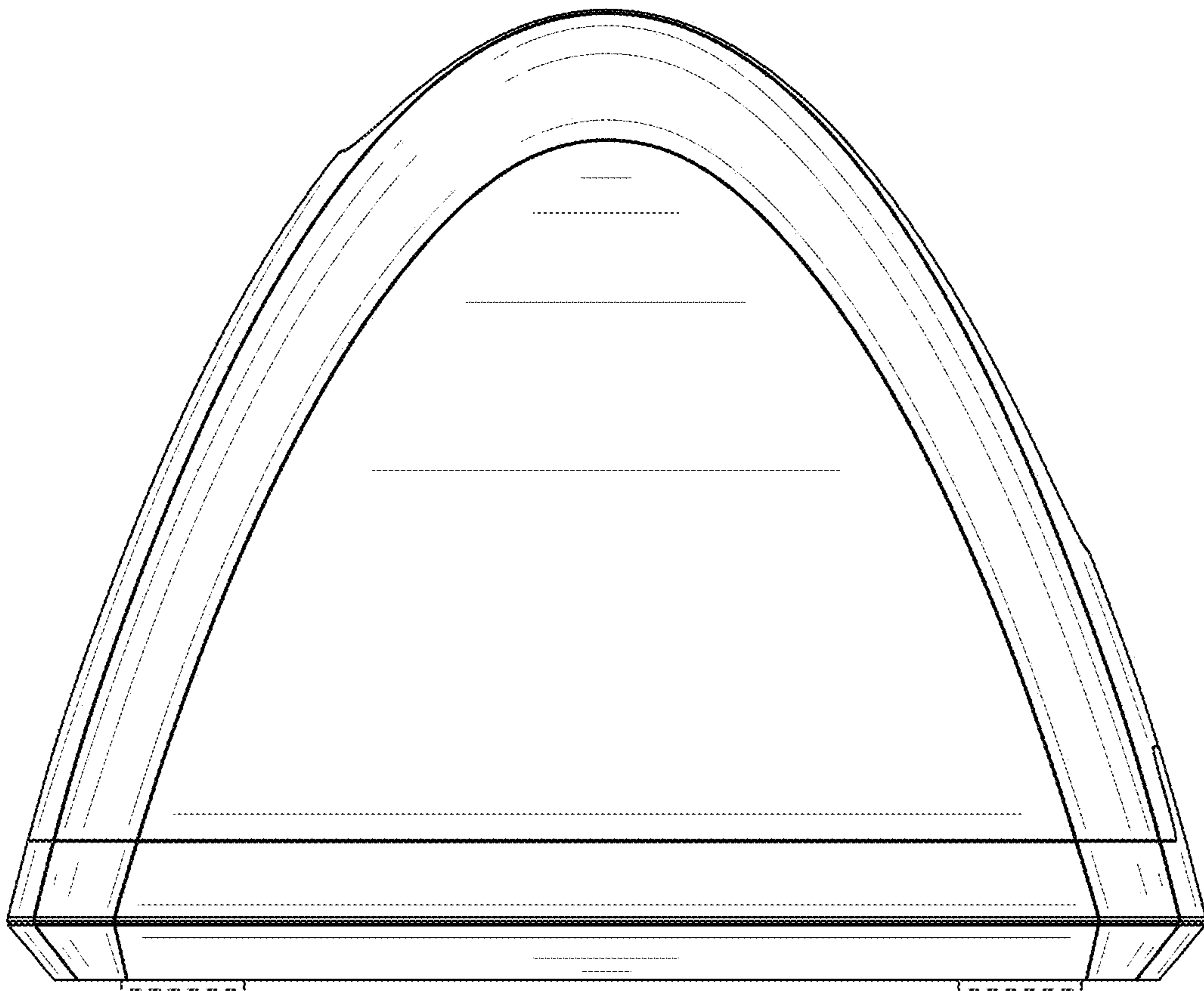


FIG. 4

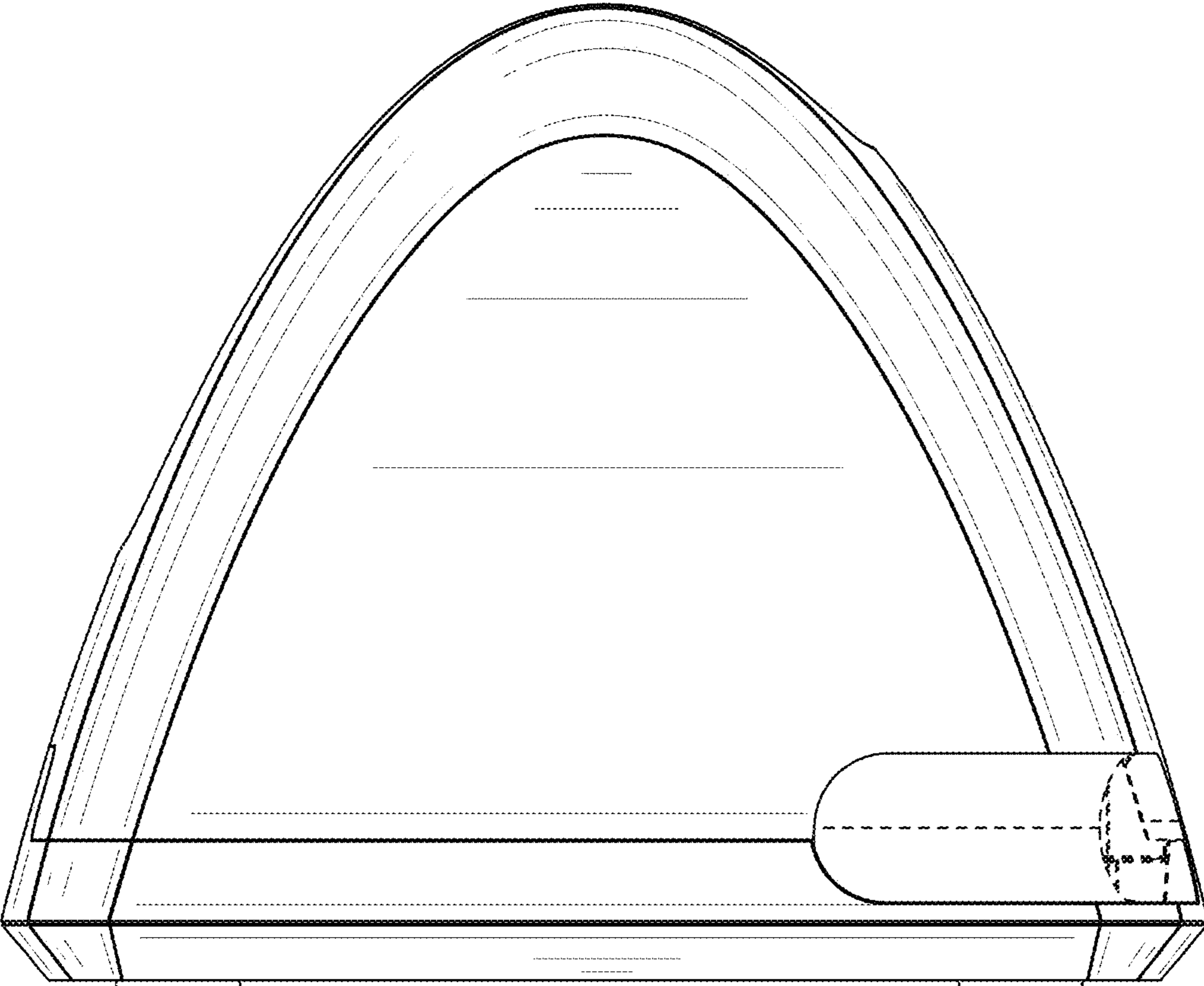


FIG. 5

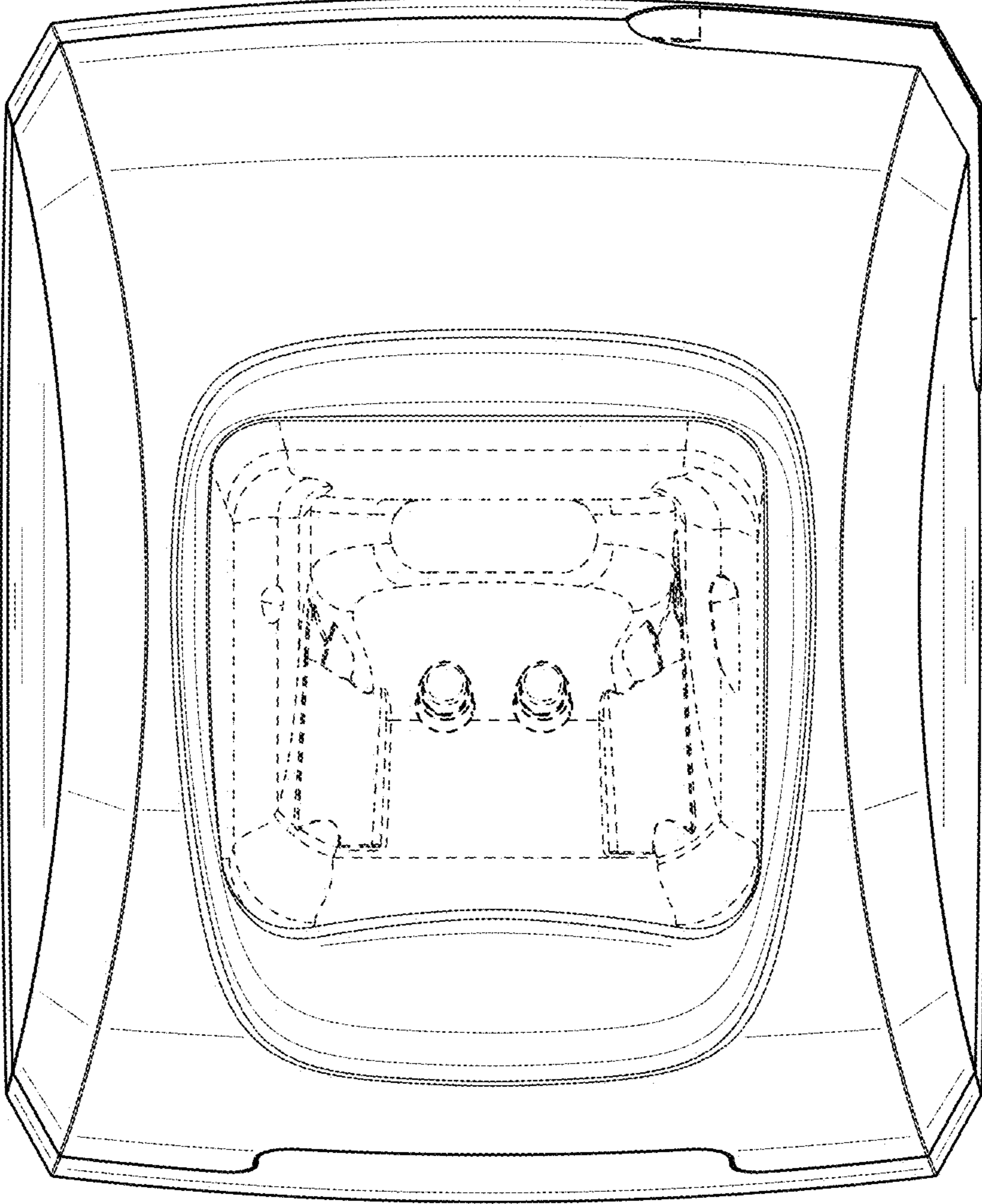


FIG. 6

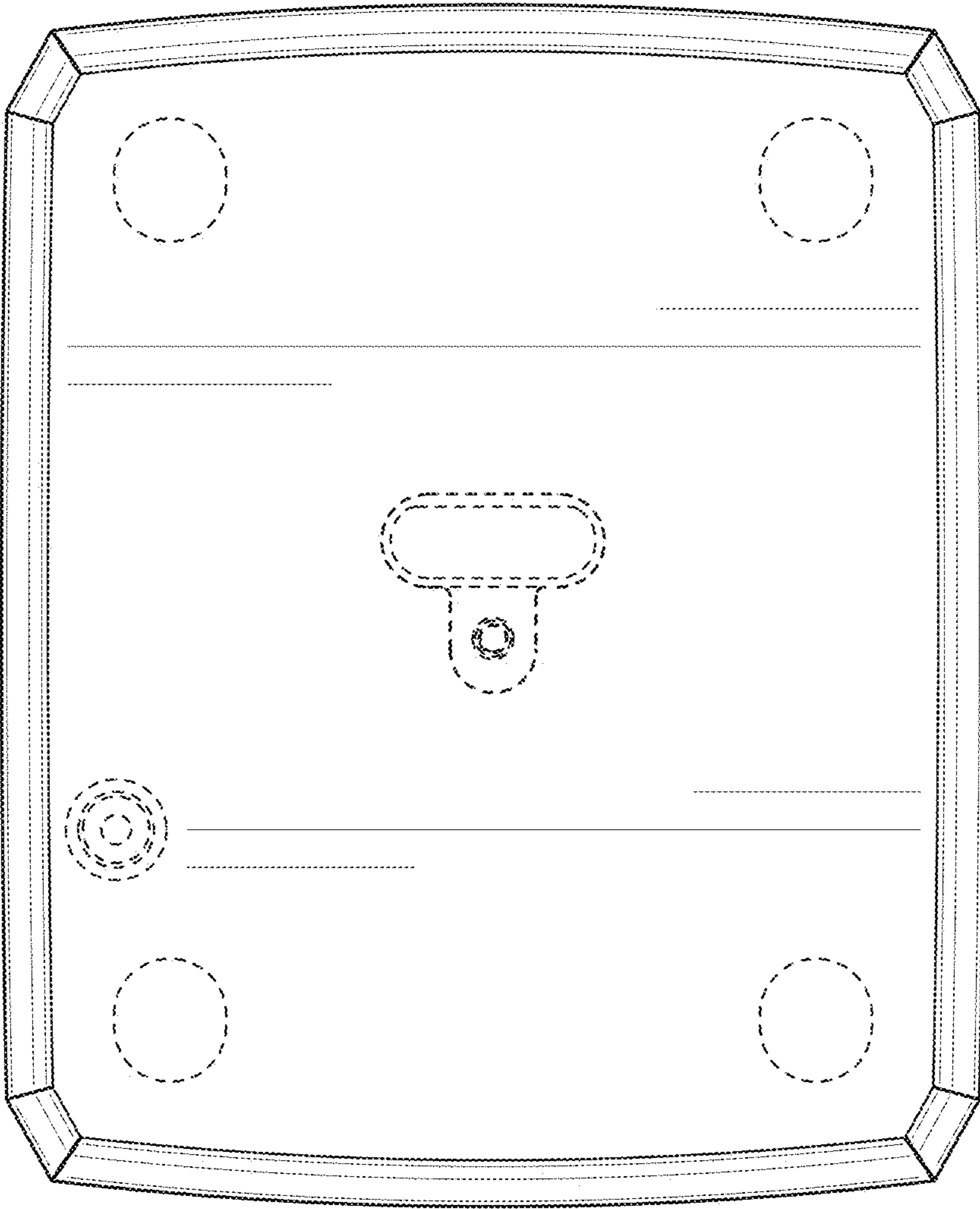


FIG. 7