



US00D953978S

(12) **United States Design Patent**
Jiang

(10) **Patent No.:** **US D953,978 S**
(45) **Date of Patent:** **** Jun. 7, 2022**

(54) **CHARGER**

(71) Applicant: **Autel Robotics Co., Ltd., Shenzhen (CN)**

(72) Inventor: **Juntian Jiang, Guangdong (CN)**

(73) Assignee: **AUTEL ROBOTICS CO., LTD., Shenzhen (CN)**

(**) Term: **15 Years**

(21) Appl. No.: **29/735,664**

(22) Filed: **May 22, 2020**

(30) **Foreign Application Priority Data**

Nov. 22, 2019 (CN) 201930645788.5

(51) **LOC (13) Cl.** **13-02**

(52) **U.S. Cl.**
USPC **D13/108**

(58) **Field of Classification Search**
USPC D13/103, 107, 108, 110, 118, 119, 122,
D13/184, 199

CPC Y02E 60/12; Y02E 60/122; Y02E 60/124;
Y02E 60/50; H02J 7/025; H02J 7/0042;
H02J 7/0044; H02J 7/0045; H02J 7/0003;
H01R 13/6675; H01M 2/1022; H01M
2/1055; H01M 10/44; H01M 10/46;
H01M 10/425; B60L 11/182

See application file for complete search history.

(56) **References Cited**

U.S. PATENT DOCUMENTS

D547,264 S * 7/2007 Kondo D13/103
D597,482 S * 8/2009 Kondo D13/103
D682,195 S * 5/2013 Aglassinger D13/103

D699,672 S * 2/2014 Kosugi D13/103
D818,949 S * 5/2018 Dunkin D13/103
D835,578 S * 12/2018 Bai D13/108
D837,733 S * 1/2019 Bai D13/108
D864,862 S * 10/2019 Cheng D13/108
D869,387 S * 12/2019 Ensing D13/103
D908,082 S * 1/2021 Lundbaeck D13/103
D911,932 S * 3/2021 Ensing D13/103
D912,617 S * 3/2021 Qiao D13/103
D913,214 S * 3/2021 Duman D13/103
D918,139 S * 5/2021 Helgesen D13/110

OTHER PUBLICATIONS

Amazon.com: Autel Robotics EVO Battery Charging Hub. Date first available of Jun. 28, 2019. Retrieved from the internet at <<https://www.amazon.com/Autel-Robotics-EVQ-Battery-Charging/dp/B07TLXF9CJ/>>, Jun. 5, 2021. 1 page. (Year: 2019).*

* cited by examiner

Primary Examiner — Christy Nemeth

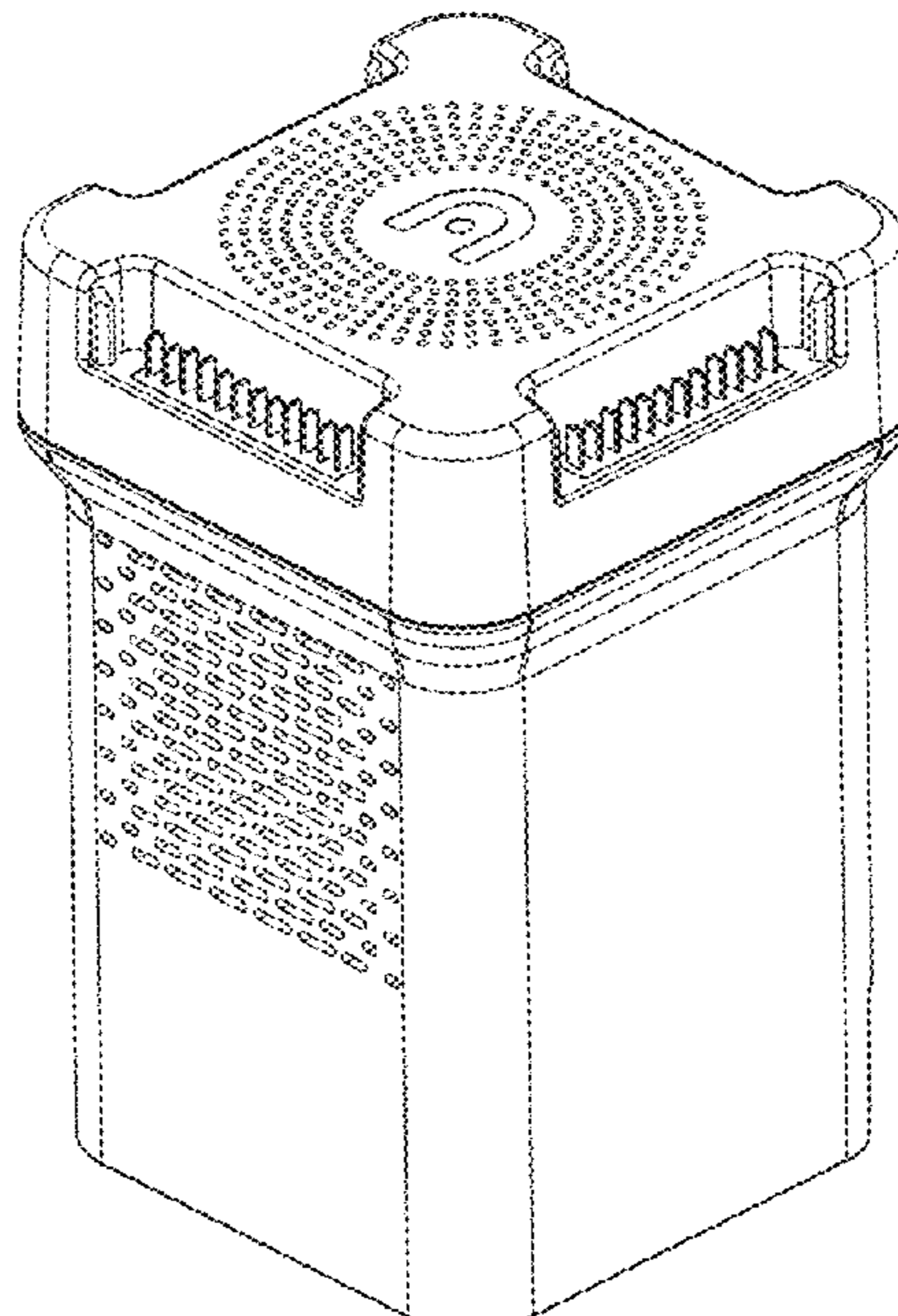
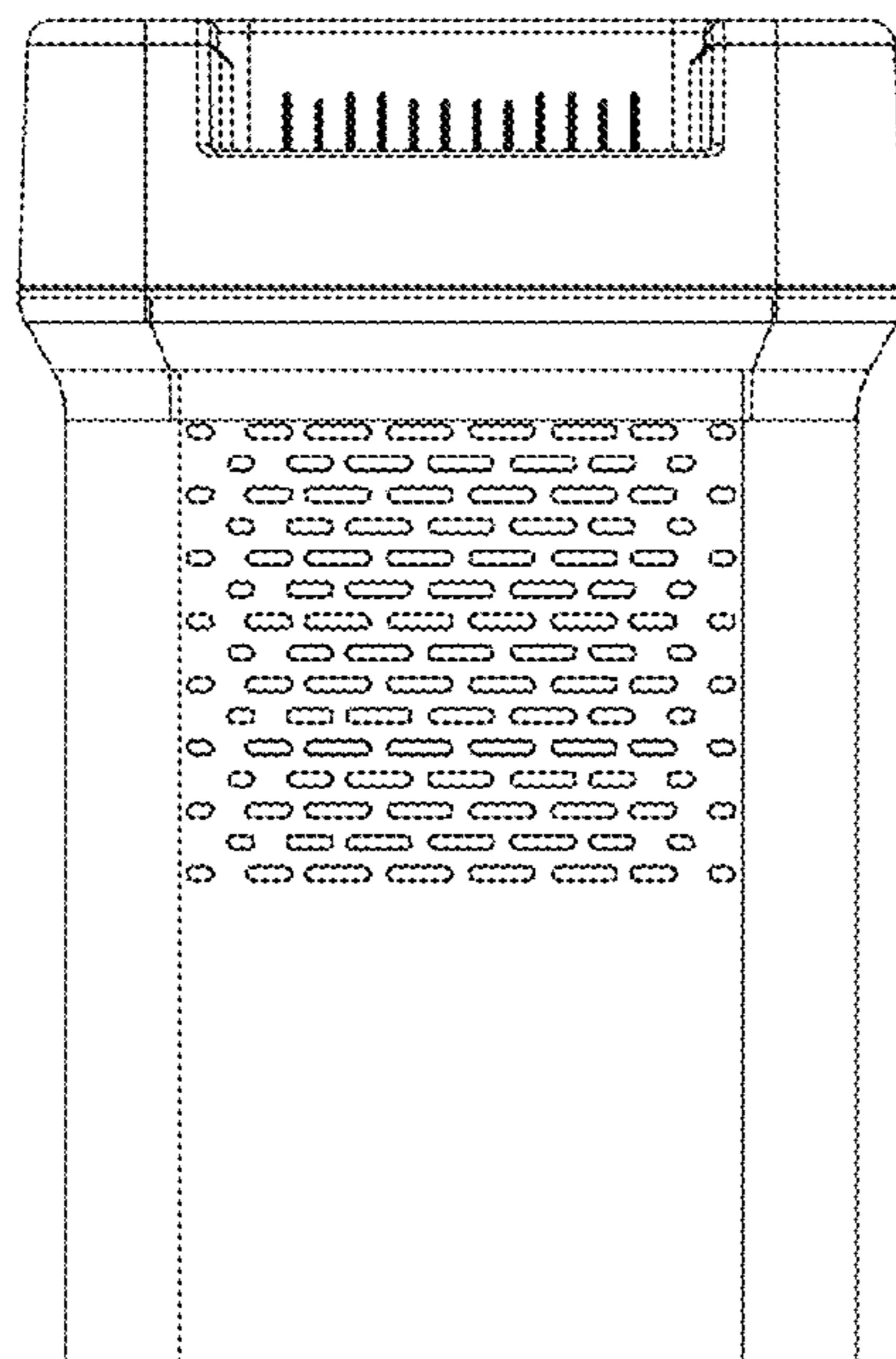
(57) **CLAIM**

The ornamental design for a charger, as shown and described.

DESCRIPTION

FIG. 1 is a front elevational view of a charger showing my new design;
FIG. 2 is a back elevational view thereof;
FIG. 3 is a left side elevational view thereof;
FIG. 4 is a right side elevational view thereof;
FIG. 5 is a top plan view thereof;
FIG. 6 is a bottom plan view thereof; and,
FIG. 7 is a perspective view thereof.
The broken line portions in the drawings form no part of the claimed design.

1 Claim, 7 Drawing Sheets



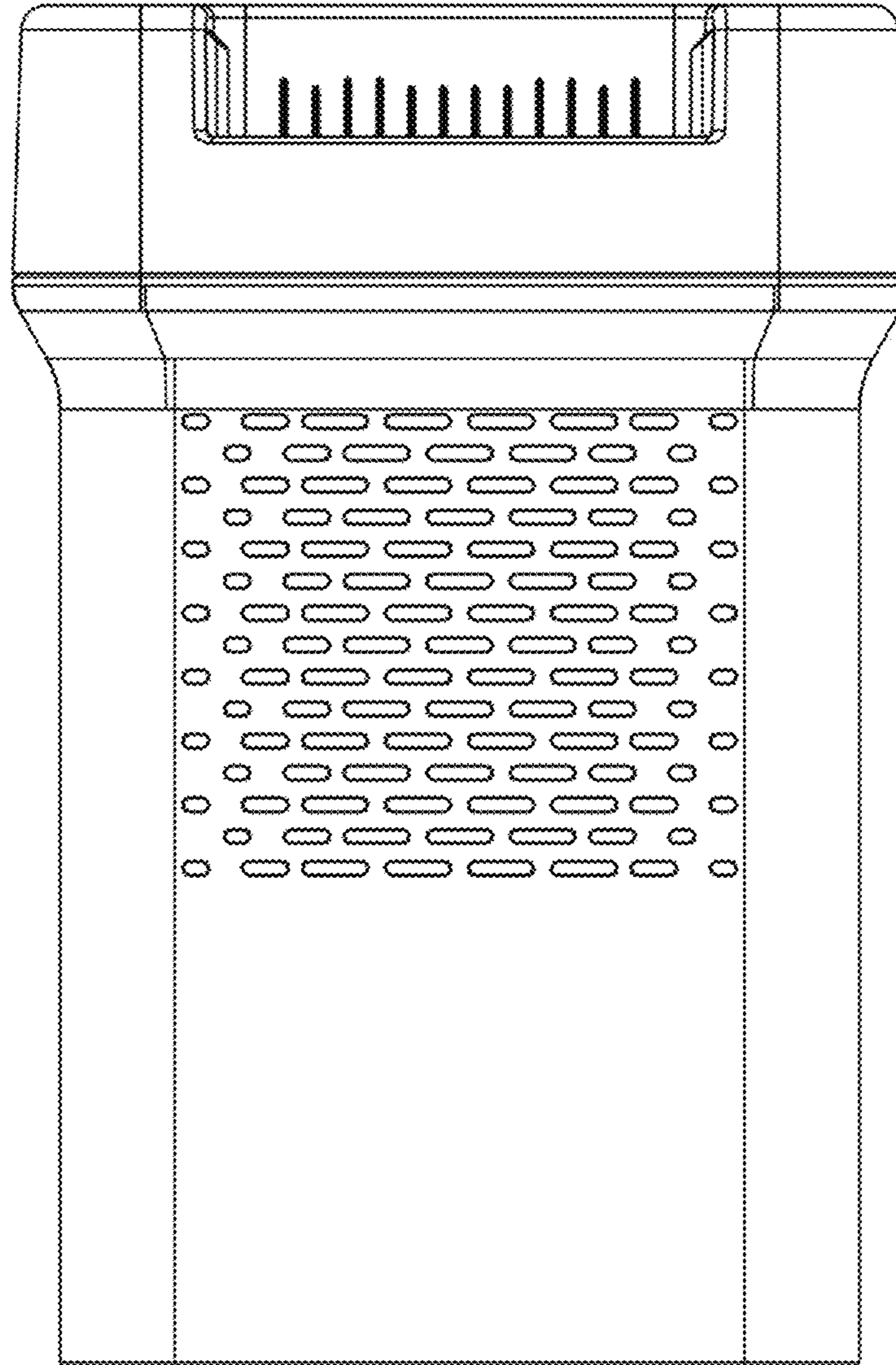


FIG. 1

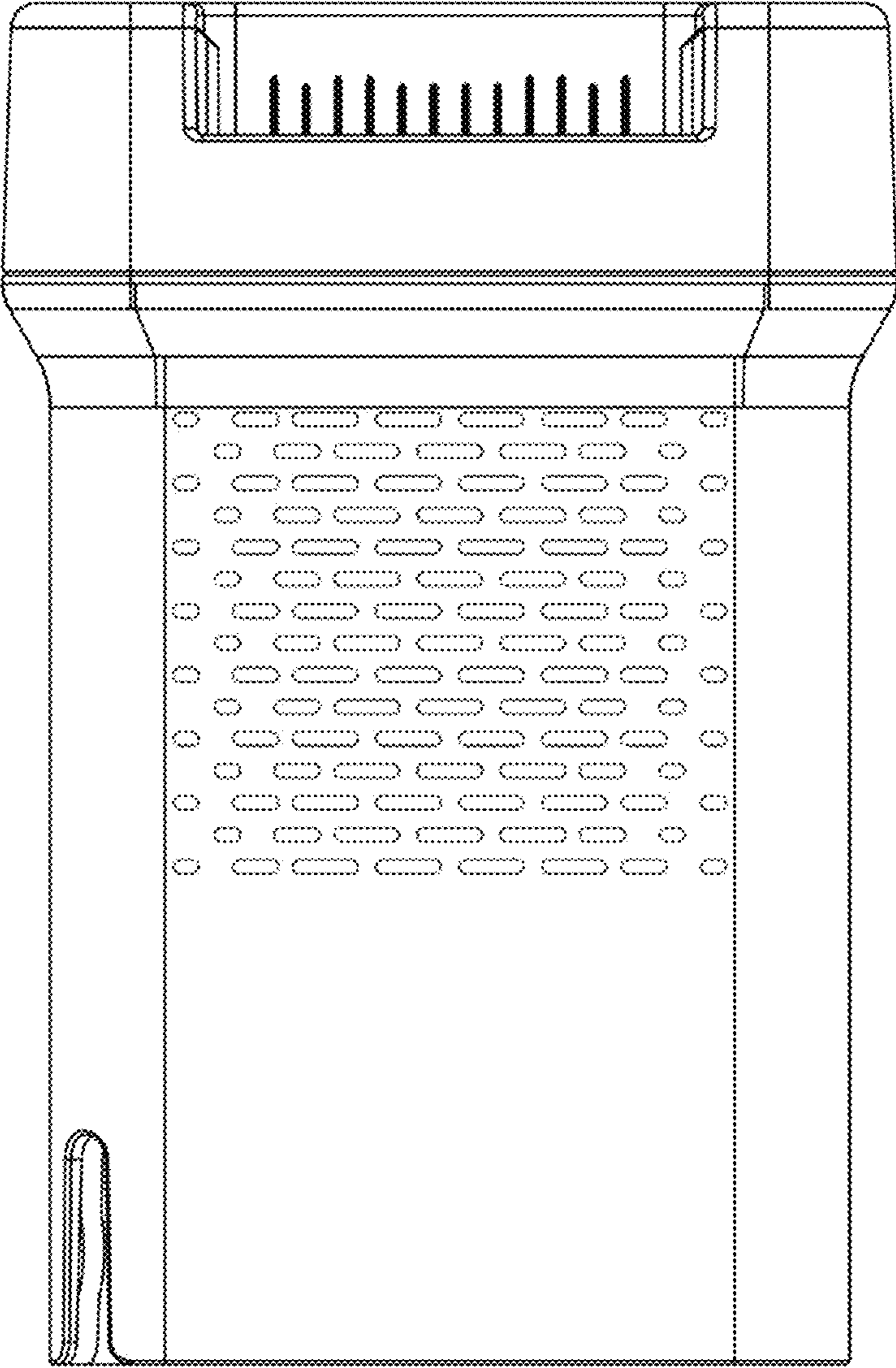


FIG. 2

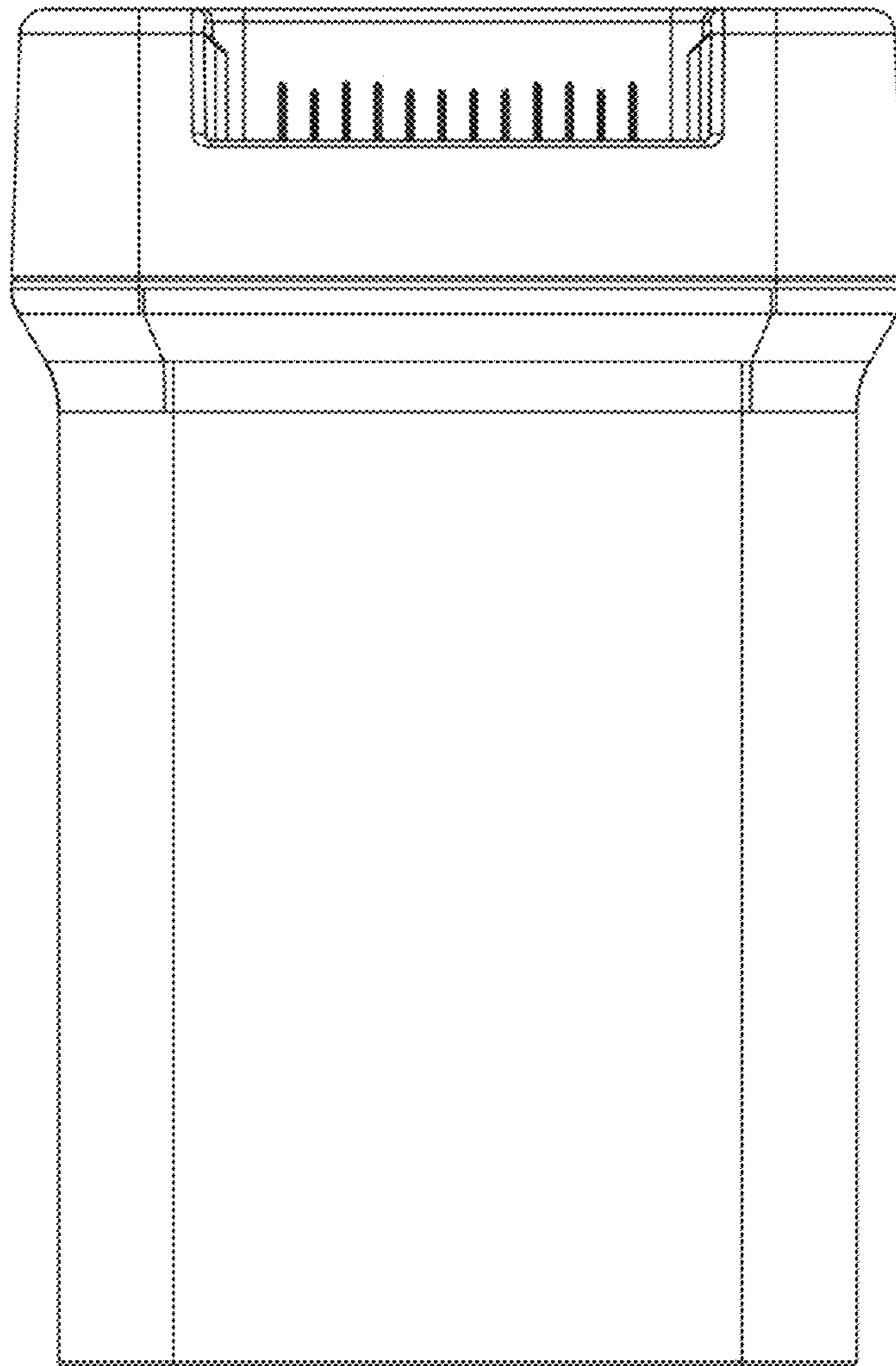


FIG. 3

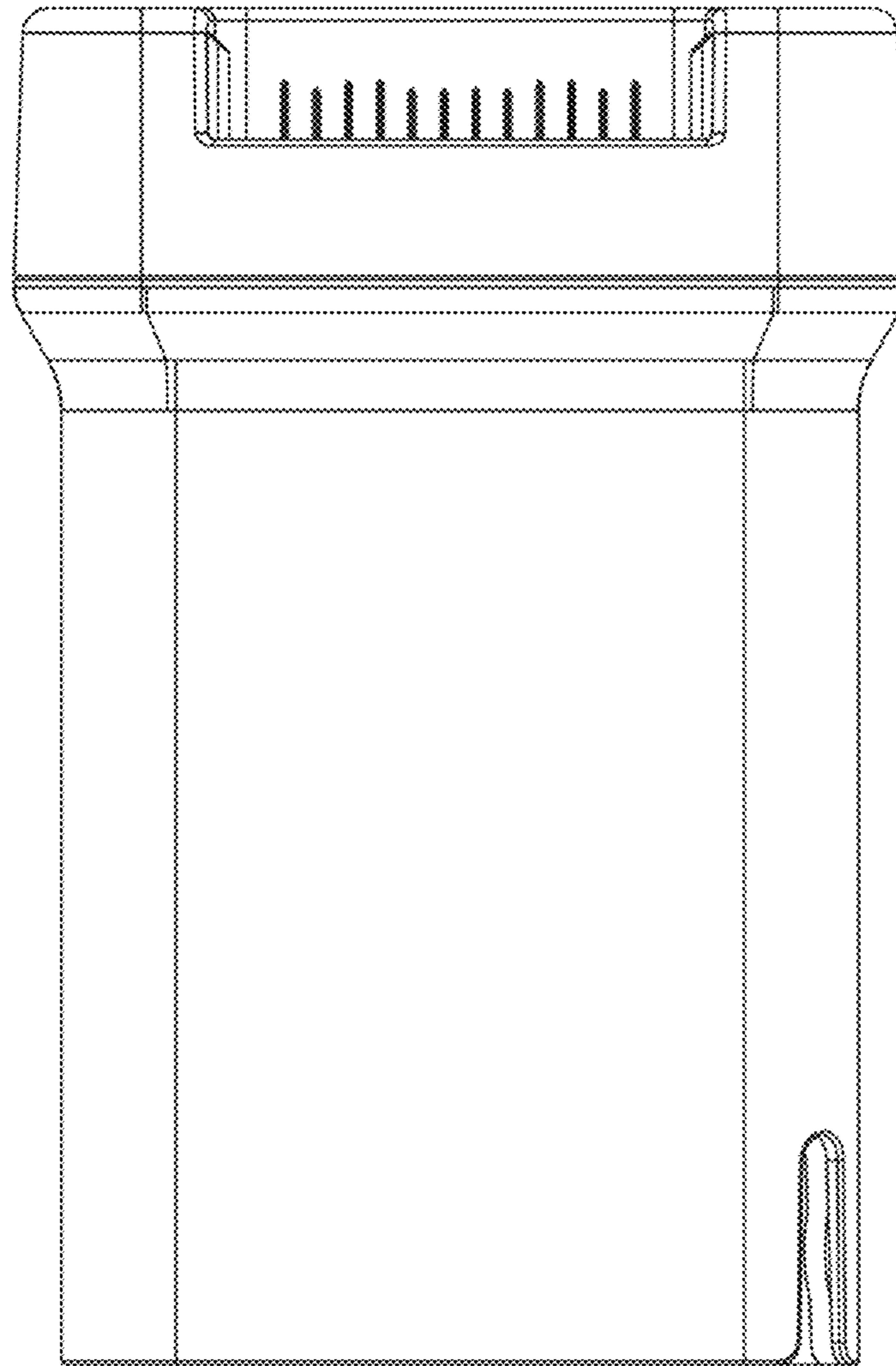


FIG. 4

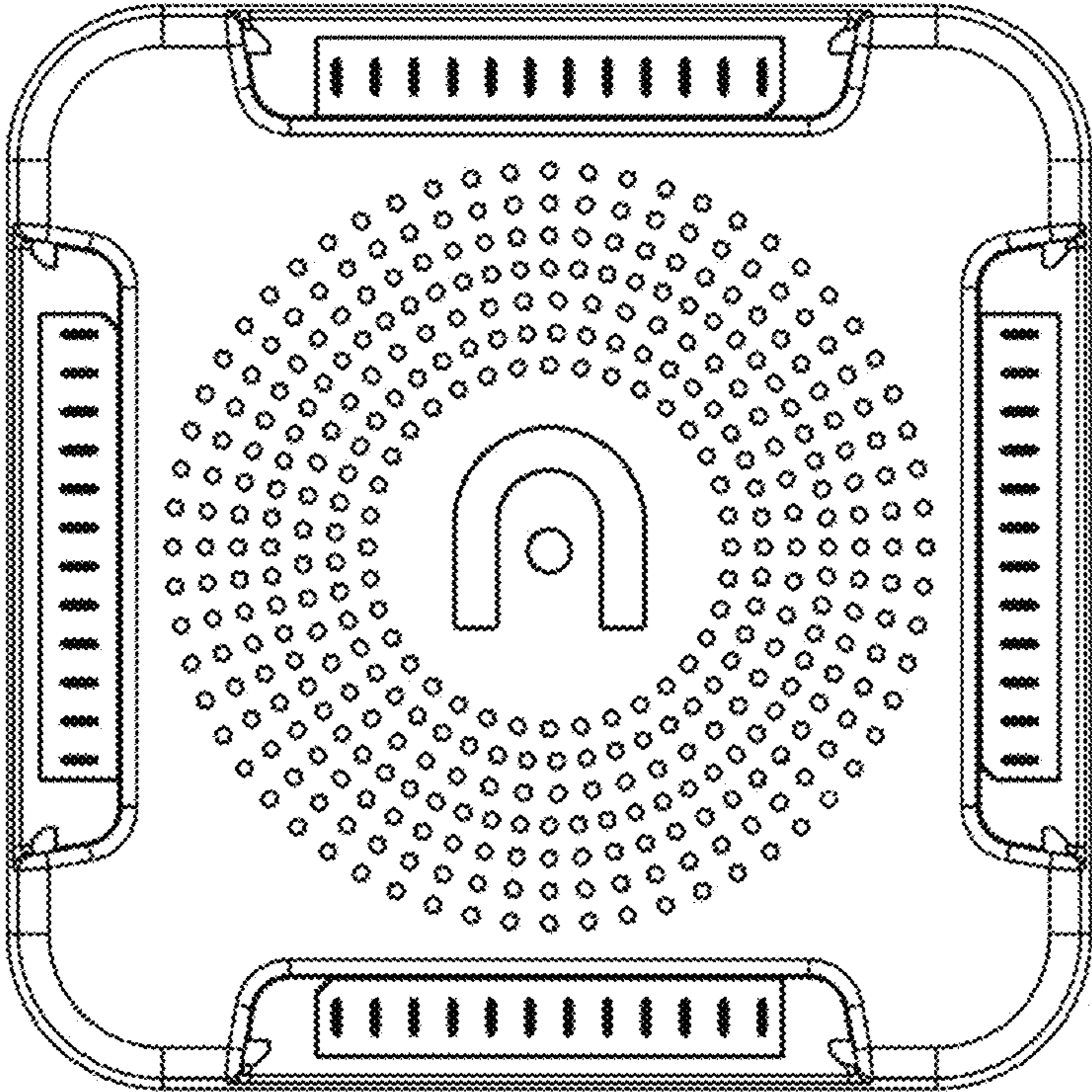


FIG. 5

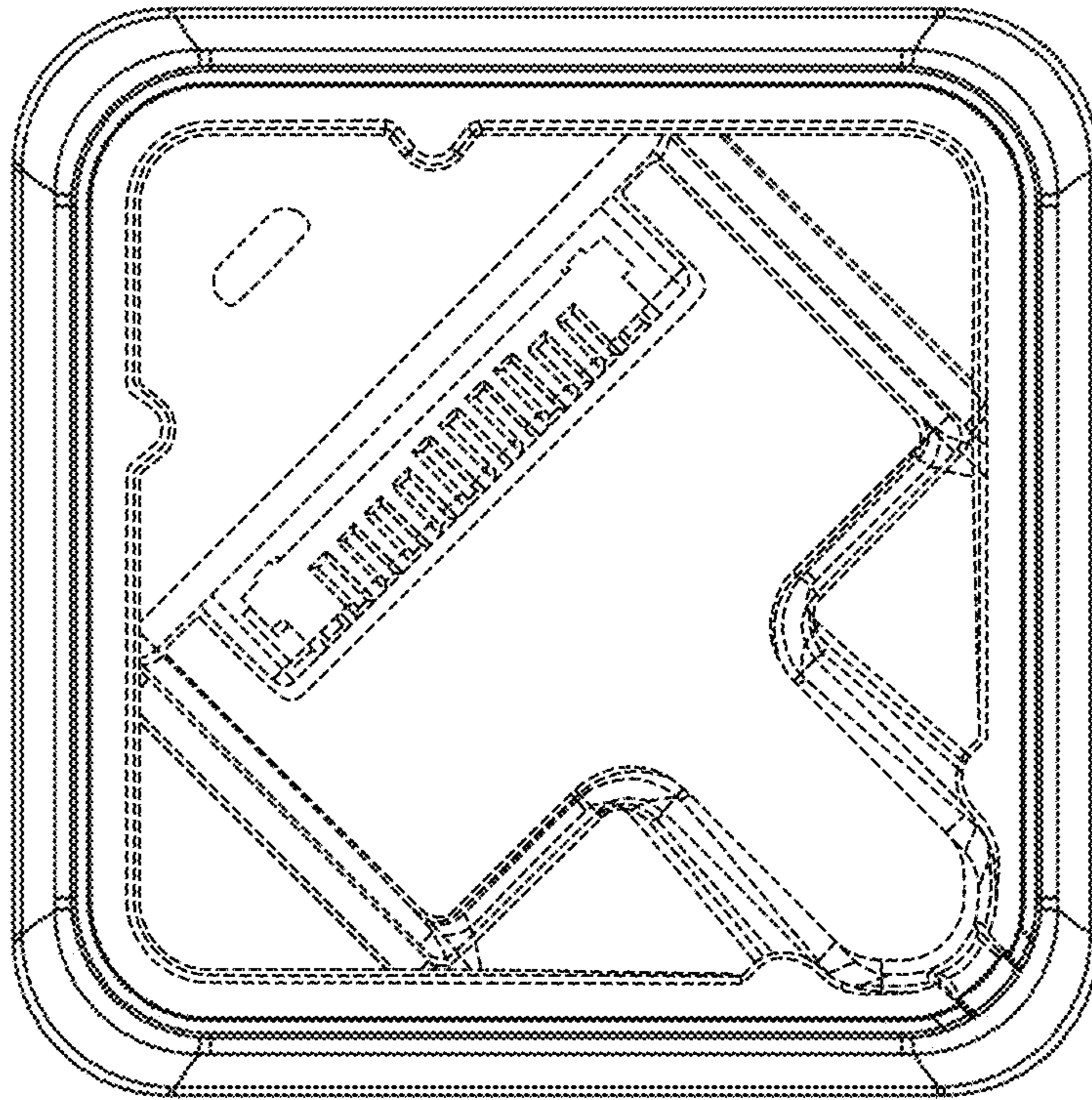


FIG. 6

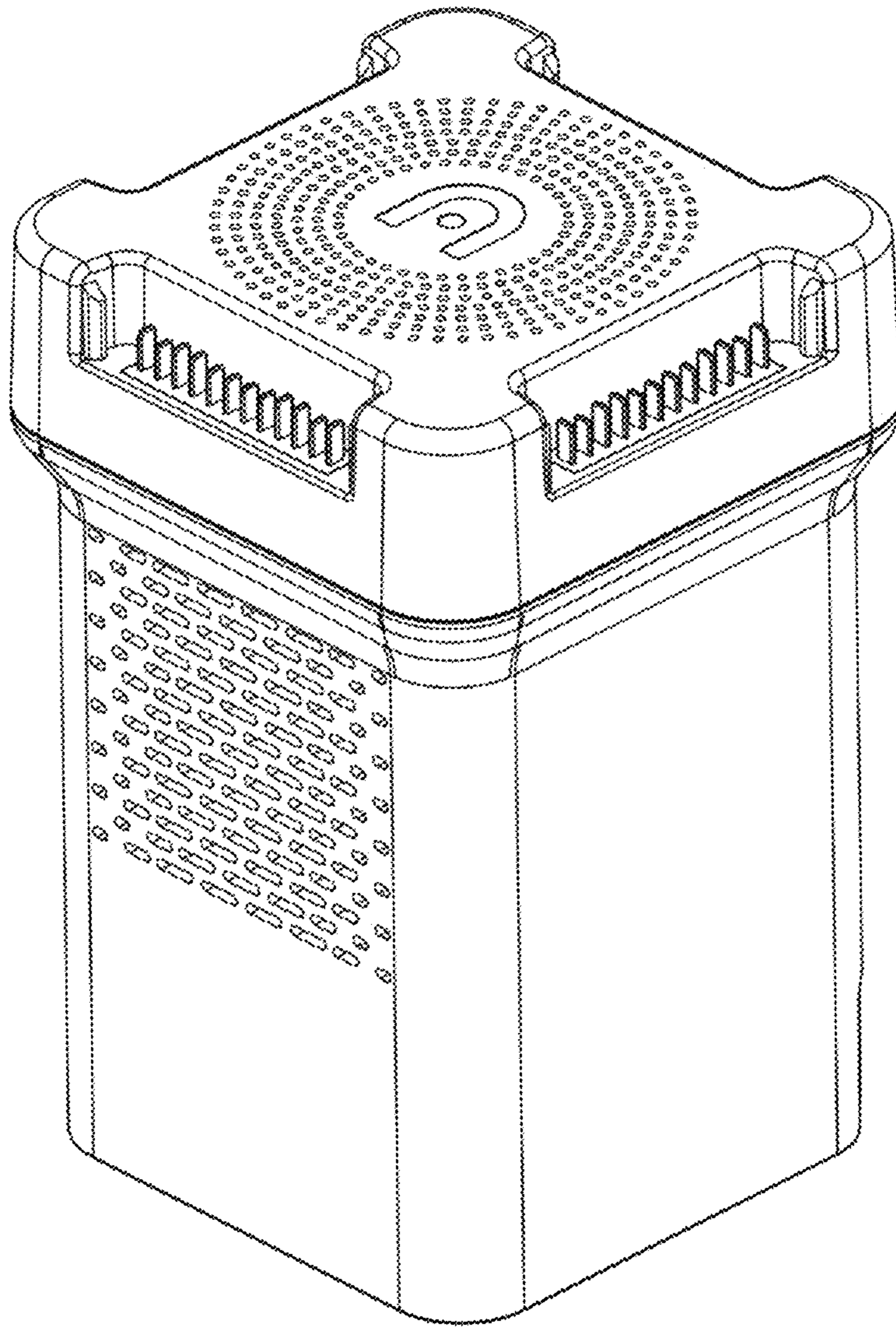


FIG. 7