



US00D953975S

(12) **United States Design Patent**
Huang

(10) **Patent No.:** **US D953,975 S**

(45) **Date of Patent:** **** Jun. 7, 2022**

(54) **BATTERY CHARGER**

(71) Applicant: **Yongping Huang**, Guangdong (CN)

(72) Inventor: **Yongping Huang**, Guangdong (CN)

(73) Assignee: **Shenzhen Lepower Electronic Co., Ltd.**, Shenzhen (CN)

(**) Term: **15 Years**

(21) Appl. No.: **29/739,678**

(22) Filed: **Jun. 29, 2020**

(51) **LOC (13) Cl.** **13-02**

(52) **U.S. Cl.**
USPC **D13/107**

(58) **Field of Classification Search**
USPC D13/103, 107-110, 118, 119, 184, 199;
D14/251, 253, 432, 434
CPC Y02E 60/12; H02J 7/025; H02J 7/0042;
H02J 7/0044; H02J 7/0045; H02J 7/0003;
H02J 7/0027; H02J 7/0013; H02J 7/0054;
H02J 7/00; H02J 3/32; H02J 3/008; H02J
2001/008; H01F 38/14; H01R 13/6675;
H01M 2/1022; H01M 2/1055; H01M
10/44; H01M 10/46; H01M 10/425;
B60R 16/03; B60L 11/1809; B60L
11/1861; B60L 11/182

See application file for complete search history.

(56) **References Cited**

U.S. PATENT DOCUMENTS

D478,557 S *	8/2003	Pfeiffer	D13/107
D488,443 S *	4/2004	Bailey	D13/119
D515,501 S *	2/2006	Kawasaki	D13/107
D517,477 S *	3/2006	Yamagishi	D13/107
D519,445 S *	4/2006	Wang	D13/107
D519,447 S *	4/2006	Lie	D13/107
D532,369 S *	11/2006	Shimizu	D13/108
D532,370 S *	11/2006	Shimizu	D13/108
D551,163 S *	9/2007	Hamasaki	D13/107

D571,722 S *	6/2008	Kang	D13/107
D573,088 S *	7/2008	Castellucci	D13/107
D599,287 S *	9/2009	Kingston	D13/107
D599,735 S *	9/2009	Amidei	D13/107
D614,127 S *	4/2010	Kingston	D13/107
D623,130 S *	9/2010	Kawakami	D13/107
D632,646 S *	2/2011	Fitch	D13/107
D639,732 S *	6/2011	Ueda	D13/107
D650,328 S *	12/2011	Fitch	D13/107
D667,785 S *	9/2012	Ueda	D13/107
D676,806 S *	2/2013	Baker	D13/107
D687,770 S *	8/2013	Rabalais	D13/107
D694,177 S *	11/2013	Bennett	D13/107
D694,178 S *	11/2013	Bennett	D13/107
D694,705 S *	12/2013	Kingston	D13/107

(Continued)

OTHER PUBLICATIONS

Amazon.com: EBL 1100mAh Rechargeable AAA Batteries . . . Date first available of Jul. 24, 2020. Retrieved from the internet at <<https://www.amazon.com/EBL-1100mAh-Rechargeable-Batteries-Battery/dp/B08DK85JD7/>>, Jul. 14, 2021. 1 page. (Year: 2020).*

Primary Examiner — Christy Nemeth

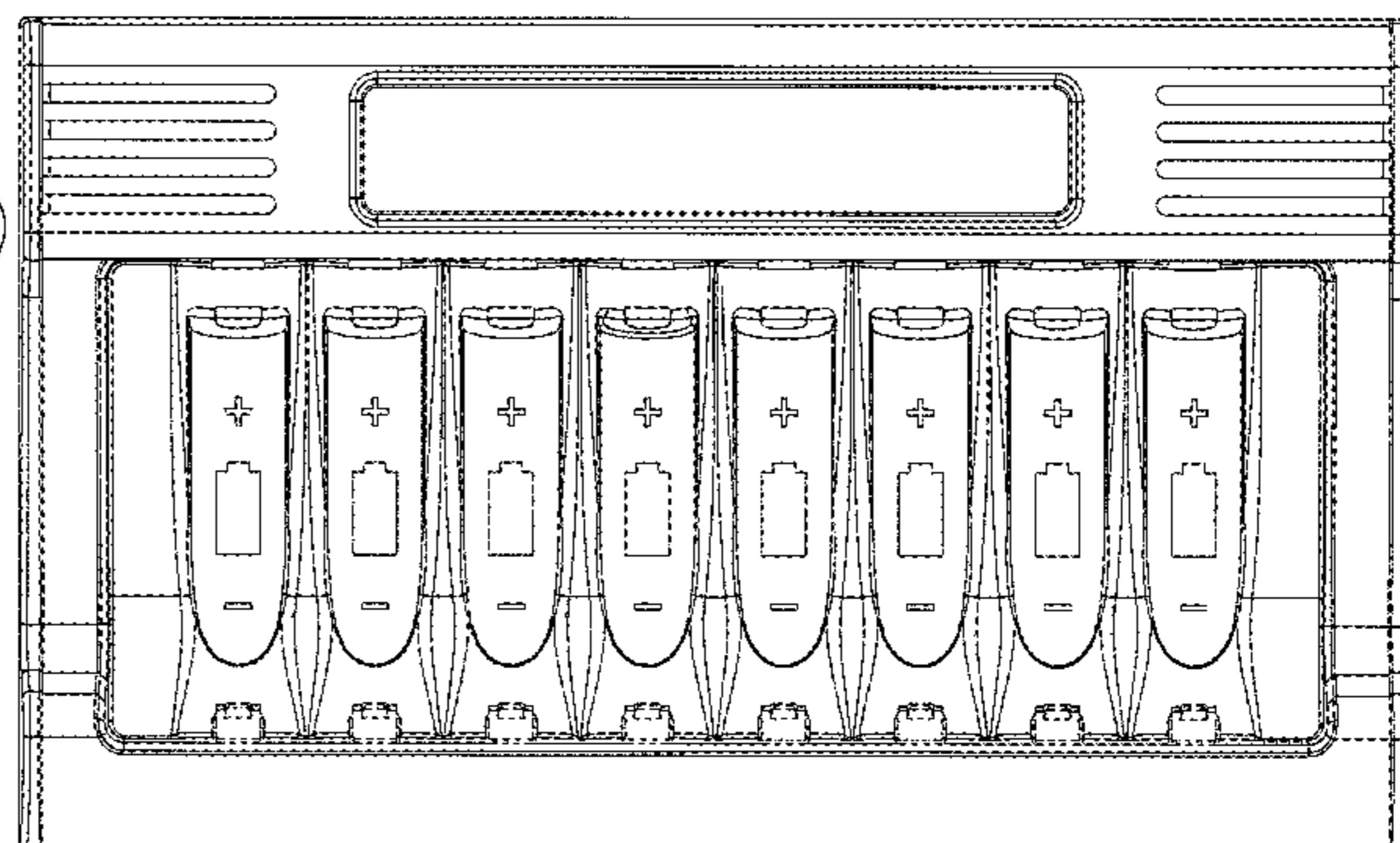
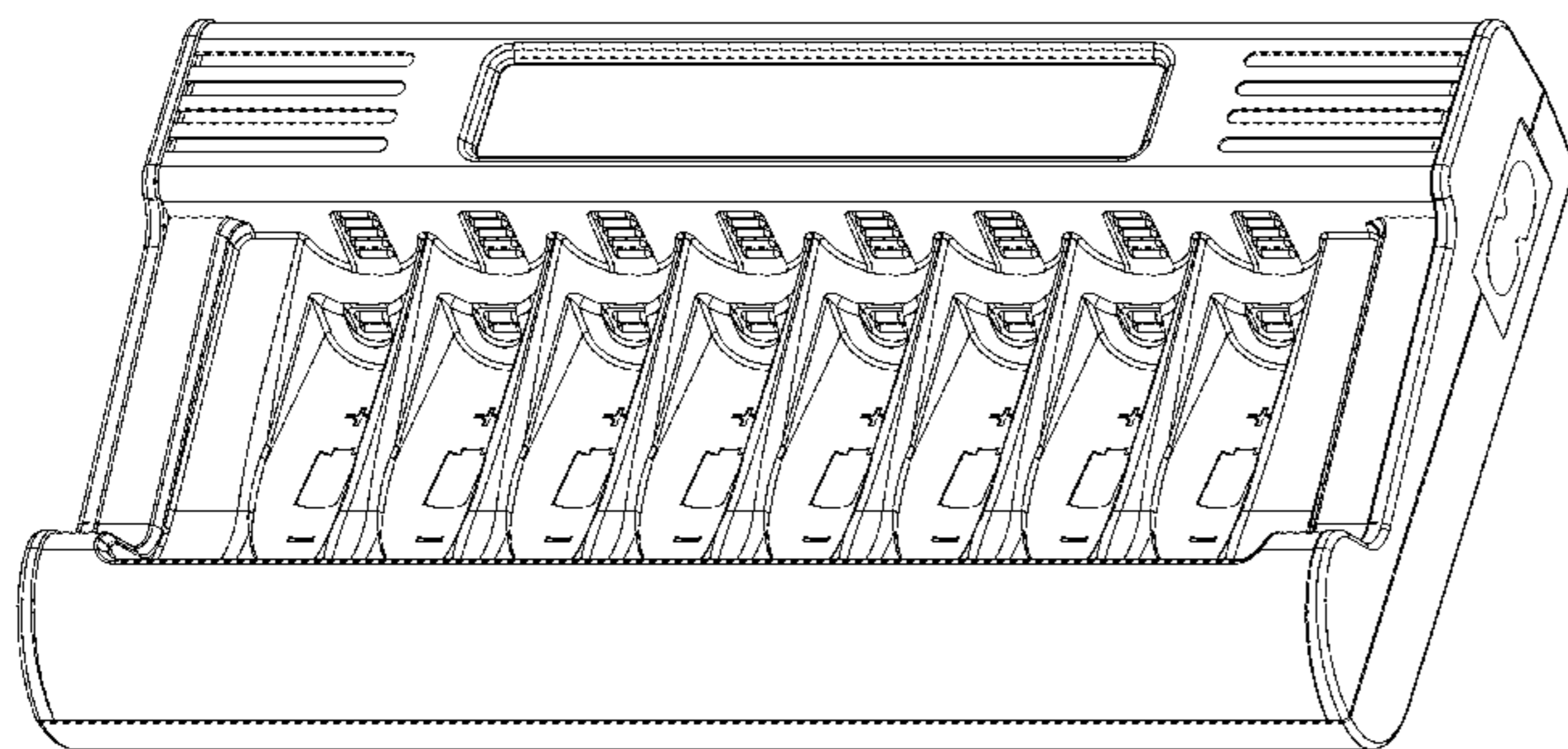
(57) **CLAIM**

The ornamental design for a battery charger, as shown and described.

DESCRIPTION

FIG. 1 is a perspective view of a battery charger showing my new design;
FIG. 2 is a front elevation view thereof;
FIG. 3 is a rear elevation view thereof;
FIG. 4 is an enlarged left side elevational view thereof;
FIG. 5 is an enlarged right side elevational view thereof;
FIG. 6 is a top plan view thereof; and,
FIG. 7 is a bottom plan view thereof.
The broken lines in the drawings depict portions of the battery charger and form no part of the claimed design.

1 Claim, 5 Drawing Sheets



(56)

References Cited

U.S. PATENT DOCUMENTS

D697,025	S	*	1/2014	Fitch	D13/107
D718,710	S	*	12/2014	Rabalais	D13/107
D743,331	S	*	11/2015	Racine	D13/107
D808,899	S	*	1/2018	Li	D13/107
D808,900	S	*	1/2018	Li	D13/107
D810,012	S	*	2/2018	Li	D13/107
D816,023	S	*	4/2018	Price	D13/107
D817,871	S	*	5/2018	Li	D13/107
D822,597	S	*	7/2018	Wai Hung	D13/107
D905,628	S	*	12/2020	Yi	D13/107
D911,272	S	*	2/2021	Xu	D13/107
2016/0359353	A1	*	12/2016	Sekiguchi	H02J 7/00

* cited by examiner

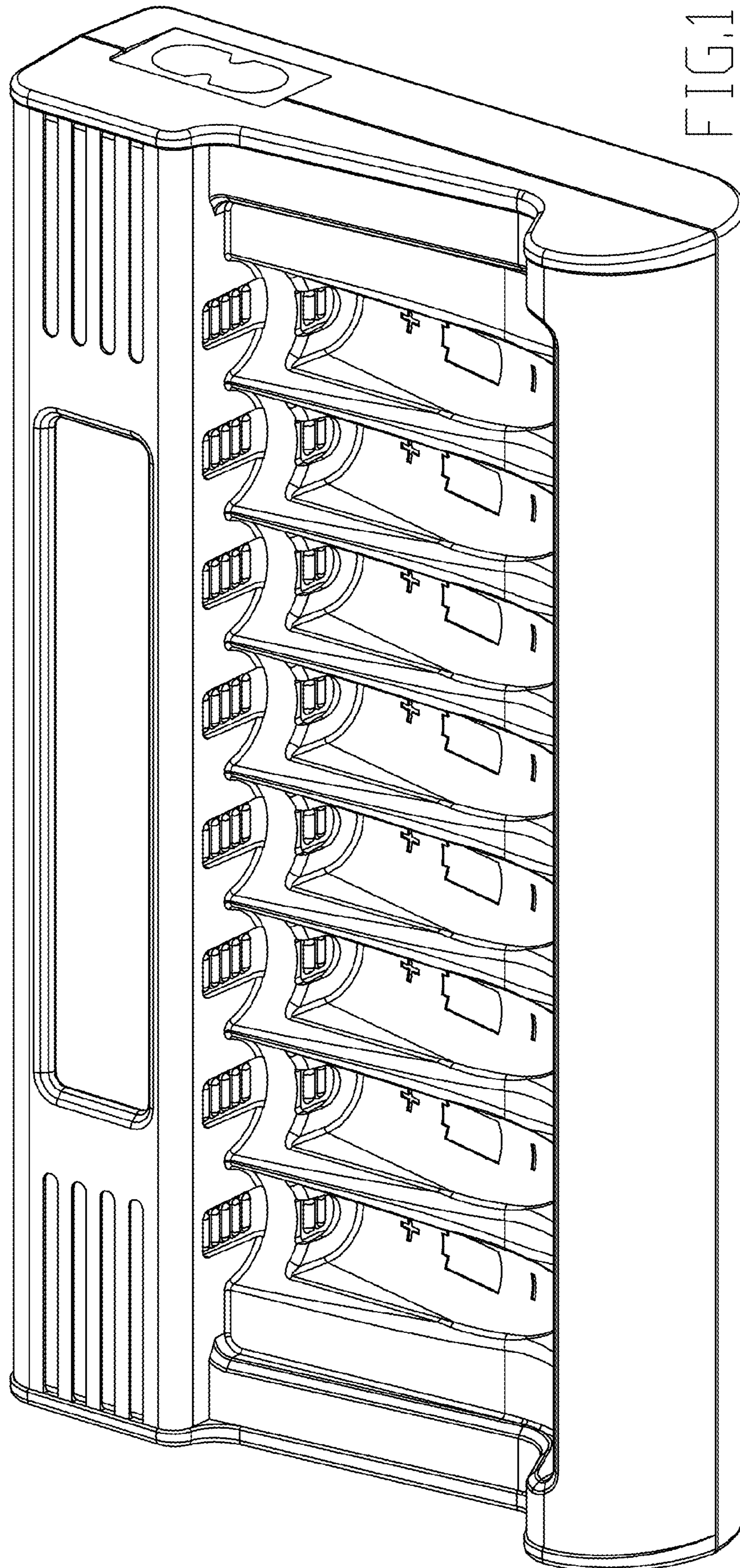


FIG. 1

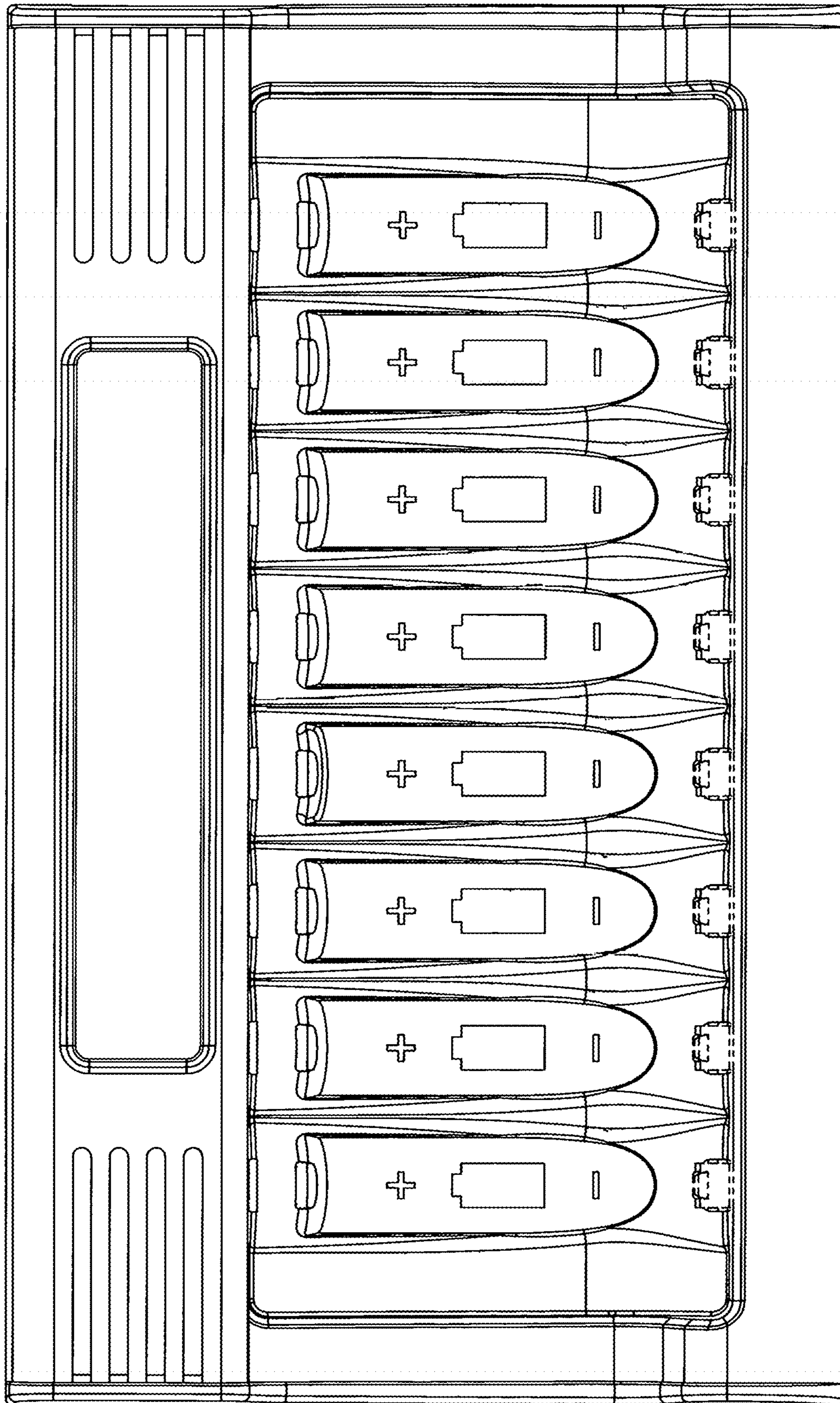


FIG. 2

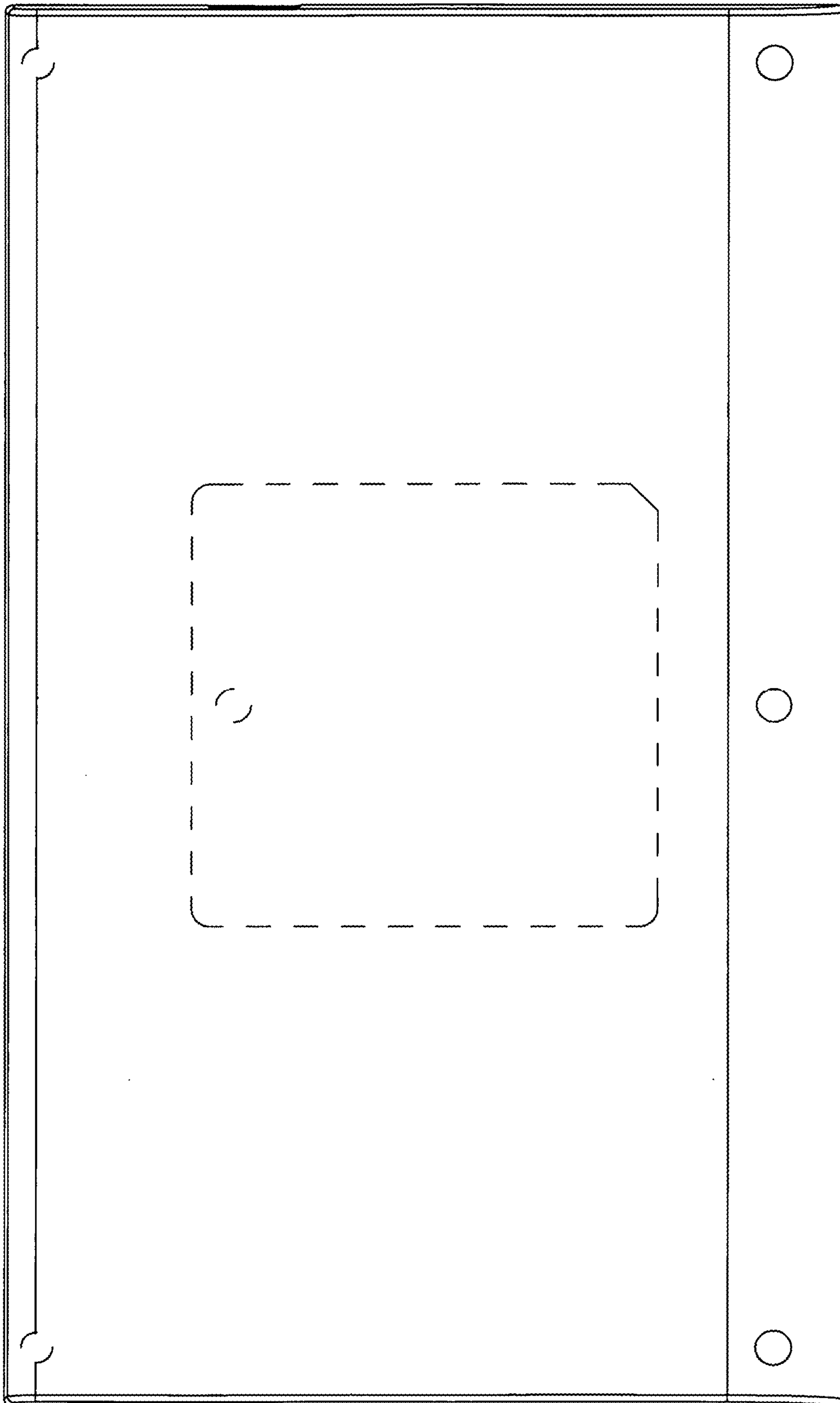


FIG.3

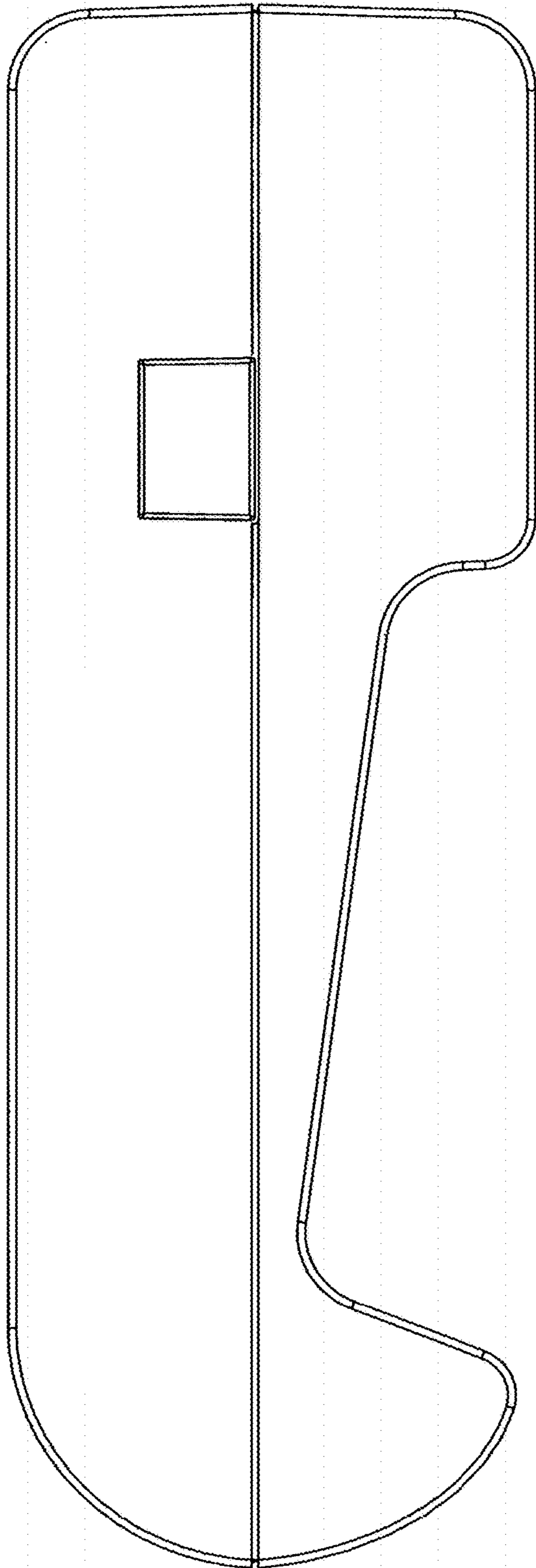


FIG. 4

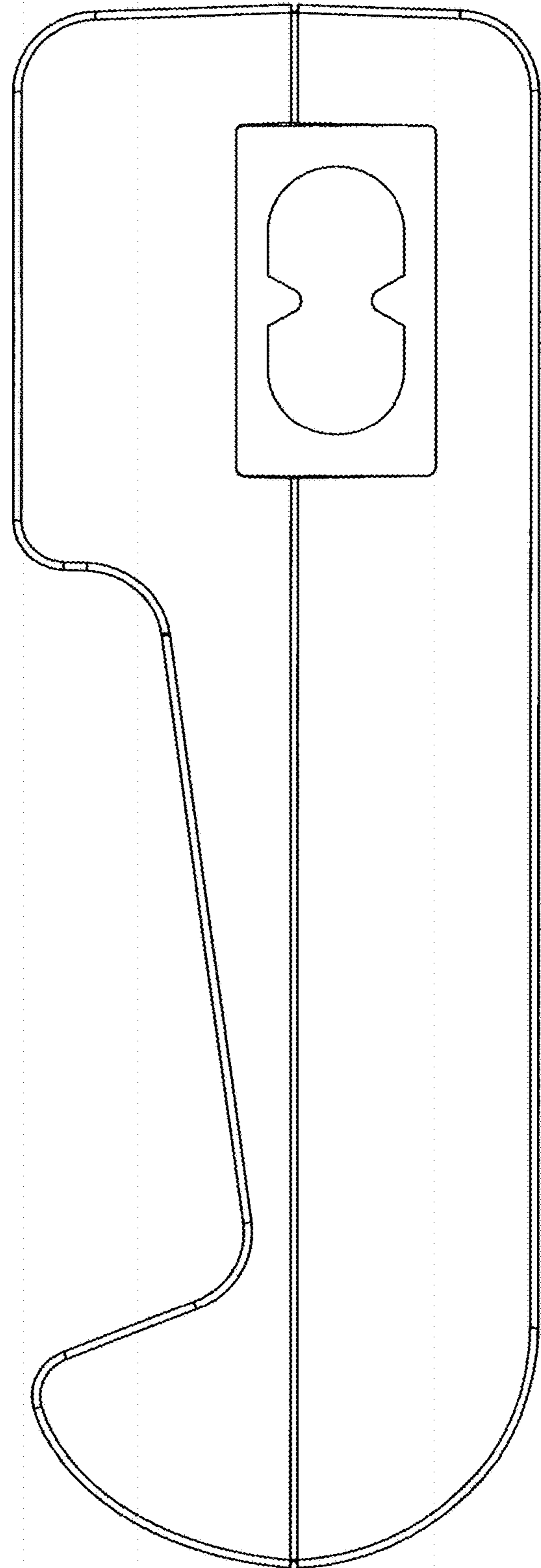


FIG. 5

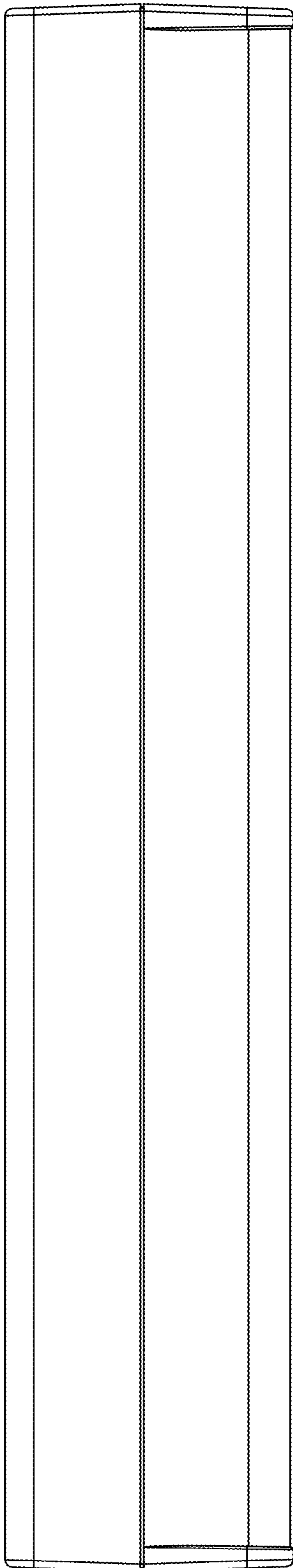


FIG. 6

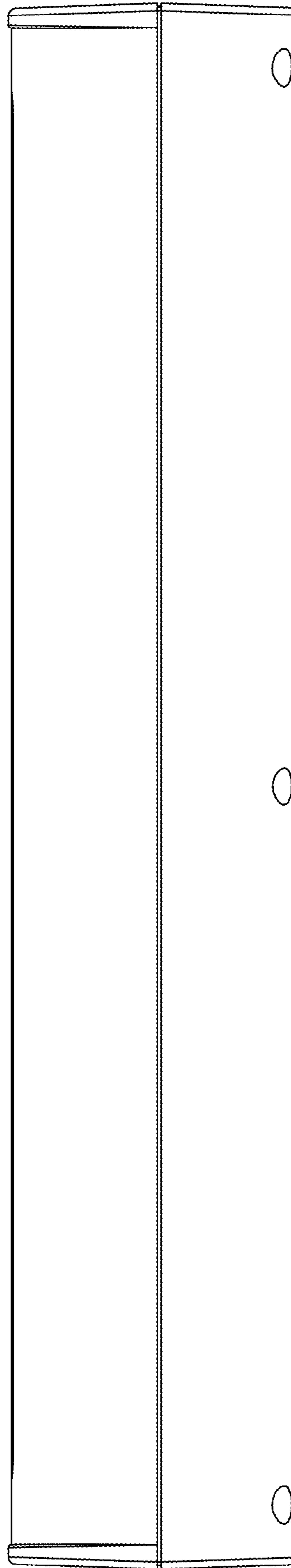


FIG. 7