



US00D953972S

(12) **United States Design Patent** (10) **Patent No.:** **US D953,972 S**  
**Lance et al.** (45) **Date of Patent:** **\*\* Jun. 7, 2022**

(54) **TEXTURED SOLAR PANEL**

(71) Applicant: **SUNPOWER CORPORATION**, San Jose, CA (US)  
(72) Inventors: **Tamir Lance**, Los Gatos, CA (US); **David Okawa**, Belmont, CA (US); **Ryan Reagan**, Fremont, CA (US); **Brian Wares**, Sacramento, CA (US); **Laurence Mackler**, Corte Madera, CA (US); **Hikaru Iwasaka**, New York, NY (US); **Alexander Keller**, Boston, MA (US)

(73) Assignee: **SUNPOWER CORPORATION**, San Jose, CA (US)

(\*\*) Term: **15 Years**

(21) Appl. No.: **29/788,756**

(22) Filed: **Jul. 27, 2021**

**Related U.S. Application Data**

(62) Division of application No. 29/744,231, filed on Jul. 28, 2020, now Pat. No. Des. 928,079, which is a (Continued)

(51) **LOC (13) Cl.** ..... **13-02**

(52) **U.S. Cl.**  
USPC ..... **D13/102**

(58) **Field of Classification Search**  
USPC ..... D10/104.1; D13/101, 102, 103, 107, D13/109, 118, 119, 184, 199; D14/371, (Continued)

(56) **References Cited**

**U.S. PATENT DOCUMENTS**

4,283,106 A 8/1981 Bunnell  
D627,279 S 11/2010 Fisker et al.  
(Continued)

**OTHER PUBLICATIONS**

Solar Panels. (Design—© Questel) orbit.com. [Online PDF compilation of references] 79 pgs. Print Dates Range Aug. 25, 2021—Nov. 10, 2020 [Retrieved Jan. 5, 2022].\*

(Continued)

*Primary Examiner* — Manpreet S Matharu  
*Assistant Examiner* — Suzanne E Tisdell  
(74) *Attorney, Agent, or Firm* — Oblon, McClelland, Maier & Neustadt, L.L.P.

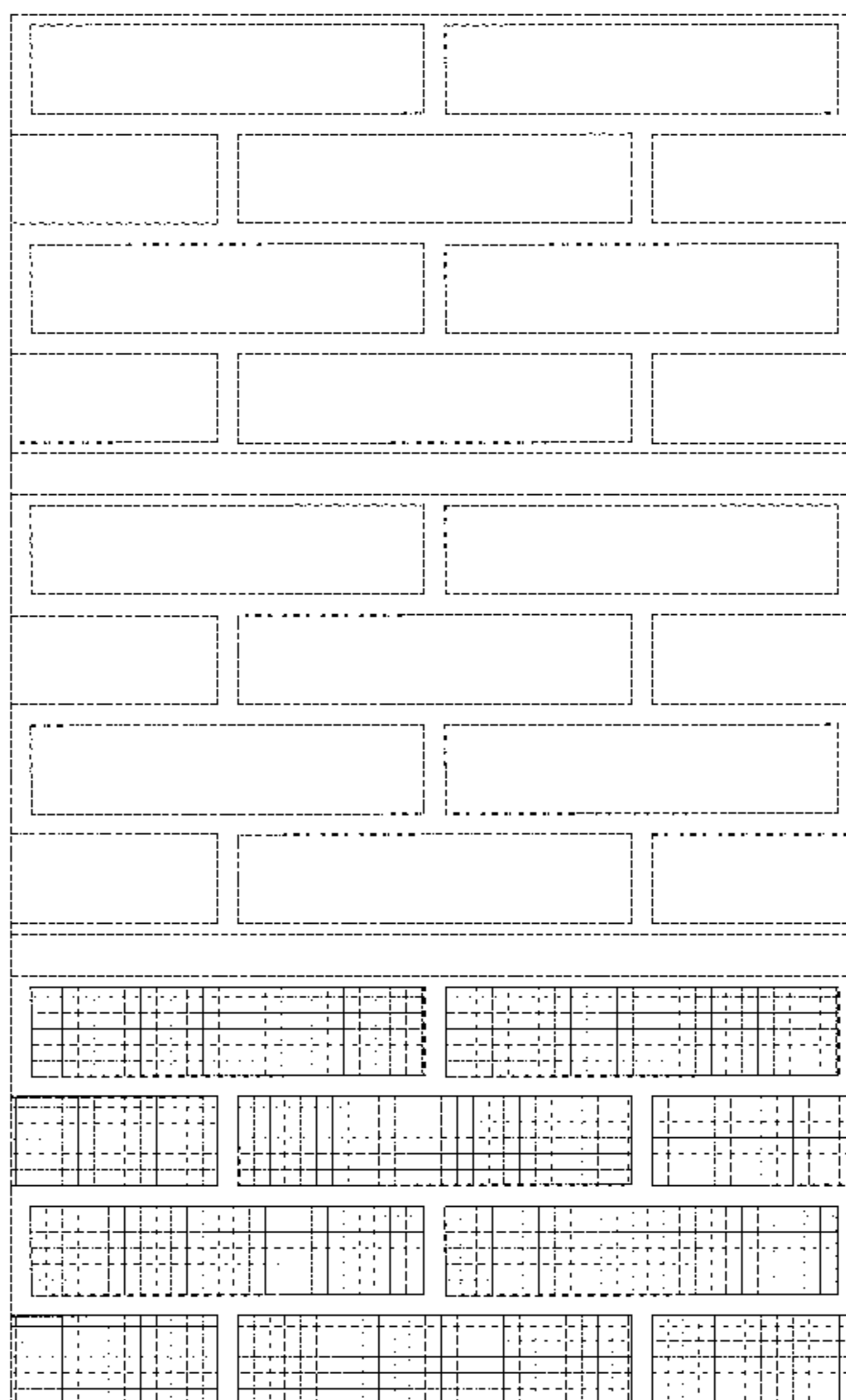
(57) **CLAIM**

The ornamental design for a textured solar panel, as shown and described.

**DESCRIPTION**

FIG. 1 is a front elevational view of a eleventh embodiment of a textured solar panel;  
FIG. 2 is a rear elevational view thereof;  
FIG. 3 is a right side elevational view thereof;  
FIG. 4 is a left side elevational view thereof;  
FIG. 5 is a bottom plan view thereof;  
FIG. 6 is a top plan view thereof;  
FIG. 7 is a front, bottom, and left side perspective view thereof;  
FIG. 8 is an enlarged view of the section indicated by callout circle 8 in FIG. 7; and,  
FIG. 9 is a further enlarged view of the section indicated by callout circle 9 in FIG. 8.  
The evenly spaced broken lines shown in the figures are for the purpose of illustrating portions of the textured solar panel that form no part of the claimed design. The dot-dash lines in the figures form a circle and lead line ending in a number that corresponds to the area shown in the figure having that number. The dot-dash lines form no part of the claimed design.

**1 Claim, 7 Drawing Sheets**



**Related U.S. Application Data**

division of application No. 29/724,030, filed on Feb. 12, 2020, now Pat. No. Des. 904,289, which is a division of application No. 29/649,785, filed on Jun. 1, 2018, now Pat. No. Des. 879,031.

(58) **Field of Classification Search**

USPC ..... D14/432, 439, 441, 447, 451; D21/480, D21/484; D25/109, 140, 144  
 CPC .. F21S 8/086; F21S 8/088; F21S 9/032; F21S 9/035; H01L 31/042; H01L 31/022425; H01L 31/18

See application file for complete search history.

(56) **References Cited**

U.S. PATENT DOCUMENTS

9,045,174 B2	6/2015	Dixon	
9,082,913 B2	7/2015	Karpovich et al.	
D761,198 S	7/2016	Hou	
D767,484 S	9/2016	Morad et al.	
9,550,533 B2	1/2017	Wylezinski	
D781,230 S	3/2017	Gibson et al.	
D784,254 S *	4/2017	Parilla .....	D13/102
D788,027 S *	5/2017	Gibson .....	D13/102
D799,419 S *	10/2017	Davies .....	D13/102
D804,059 S *	11/2017	Labesque .....	D25/139
D812,554 S	3/2018	Gibson et al.	
D813,153 S	3/2018	Gibson et al.	
D814,401 S	4/2018	Cheung	
D814,402 S	4/2018	Cheung et al.	
D817,867 S	5/2018	Kojima et al.	
D825,448 S *	8/2018	Mackler .....	D13/102
D841,571 S	2/2019	Zhou et al.	
D856,919 S *	8/2019	Zhou .....	D13/102
D877,059 S	3/2020	Osborn et al.	
D879,031 S *	3/2020	Lance .....	D13/102
D886,043 S	6/2020	Zhou et al.	
D887,967 S	6/2020	Chang et al.	
D888,656 S	6/2020	Aiken et al.	
D894,115 S	8/2020	Xia et al.	
D896,167 S *	9/2020	Zhou .....	D13/102
D896,747 S *	9/2020	Morad .....	D13/102
D899,351 S	10/2020	Lin et al.	

D904,289 S *	12/2020	Lance .....	D13/102
D904,290 S	12/2020	Della Pina	
D904,975 S	12/2020	Nakayashiki et al.	
D911,263 S	2/2021	Badilla	
D913,210 S	3/2021	Morad et al.	
10,937,915 B2	3/2021	Pilliod et al.	
D918,129 S *	5/2021	Caelers .....	D13/102
D928,079 S *	8/2021	Lance .....	D13/102
D938,899 S *	12/2021	Ruiz .....	D13/102
2011/0265849 A1	11/2011	Hong et al.	
2012/0037215 A1	2/2012	Ball et al.	
2012/0227792 A1	9/2012	Chen et al.	
2013/0333305 A1	12/2013	Stearns et al.	
2014/0301003 A1	10/2014	Jankowski	
2016/0072431 A1	3/2016	Solon	
2016/0301354 A1	10/2016	Draffin, II et al.	
2018/0062572 A1	3/2018	Kunesh	
2018/0091089 A1	3/2018	Lange et al.	
2018/0239841 A1	8/2018	Wachman et al.	
2018/0241343 A1	8/2018	Jiang et al.	
2019/0144138 A1	5/2019	Spark	

OTHER PUBLICATIONS

Texture of Solar Panels Close Up. Aug. 9, 2019. iStock. <https://www.istockphoto.com/photo/texture-of-solar-panels-close-up-newest-technologies-of-solar-power-generation-gm1166167244-321144002>.\*

Rich Solar 200 Watt 12 Volt Polycrystalline Solar Panel. Before Jun. 14, 2019. Amazon. <https://www.amazon.com/Richsolar-Polycrystalline-Efficiency-Module-Marine/dp/B07DPHY2YJ?th=1>.\*

Sustainability report 2020. Jan. 2021. Maxeon. <https://corp.maxeon.com/esg/sustainability-report-2020>.\*

Chinese Office Action dated Mar. 7, 2019 in corresponding Chinese Patent Application No. 201830706564.6, 1 page.

Chandler, David. "Textured Surface May Boost Power Output of Thin Silicon Solar Cells." Jun. 13, 2012. MIT News, <https://news.mit.edu/2012/light-trapping-0613> (Year: 2012).

Richardson, Luke. "New Solar Panels: What's Coming to Market in 2019?" Jan. 1, 2019. Energy Sage. <https://news.energysage.com/new-solar-panels-whats-coming-market-2018/> (Year: 2019).

"New Textured Surface for Solbian." Jul. 8, 2015. Solar 4 RVs. <https://www.solar4rvs.com.au/blog/news-2015/new-textured-surface-for-solbian/> (Year: 2015).

\* cited by examiner

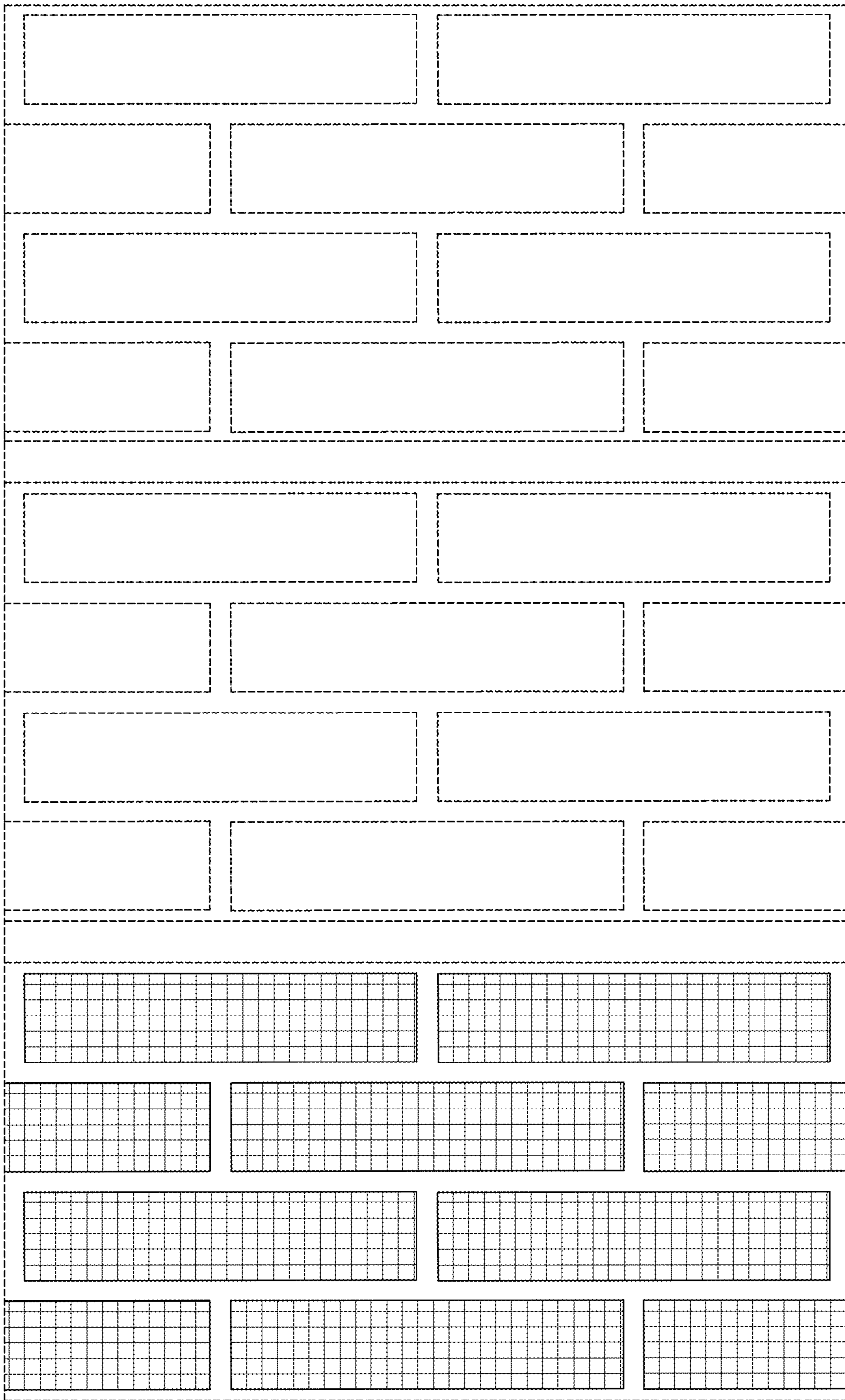
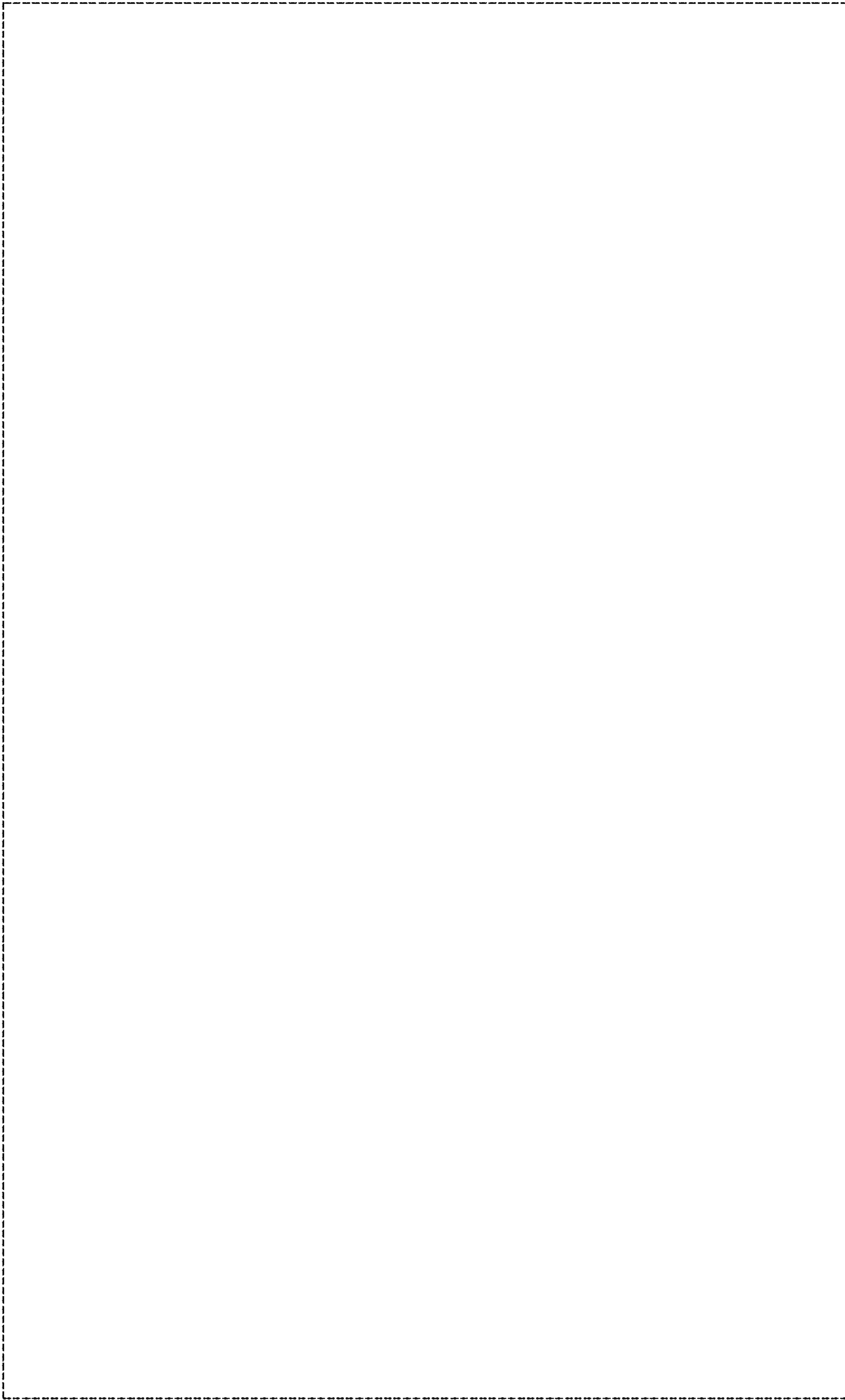
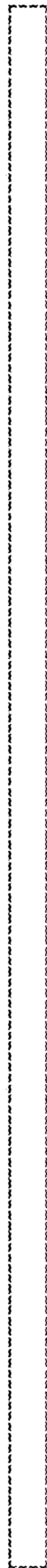


FIG. 1



*FIG. 2*



*FIG. 3*



*FIG. 4*



*FIG. 5*



*FIG. 6*

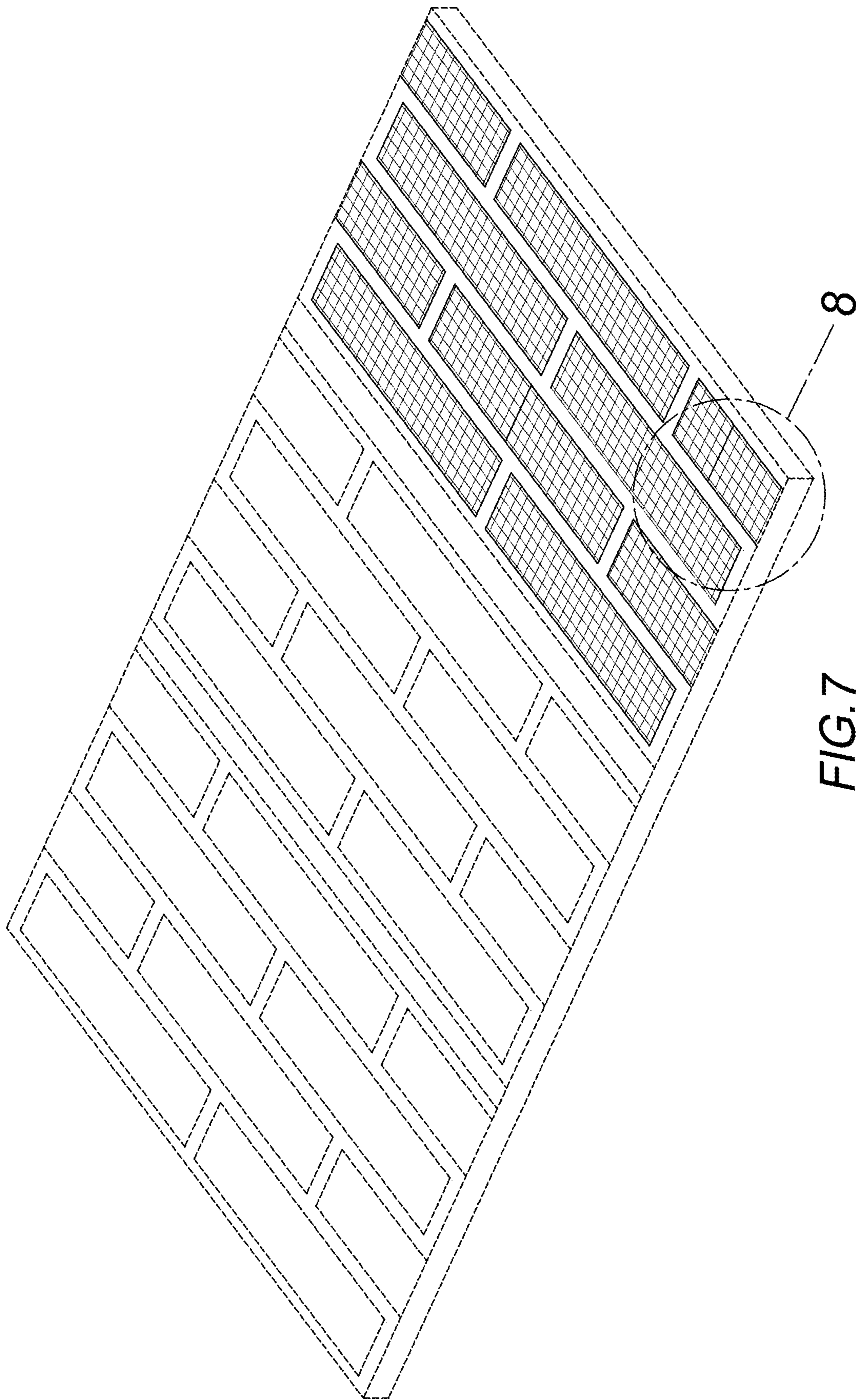
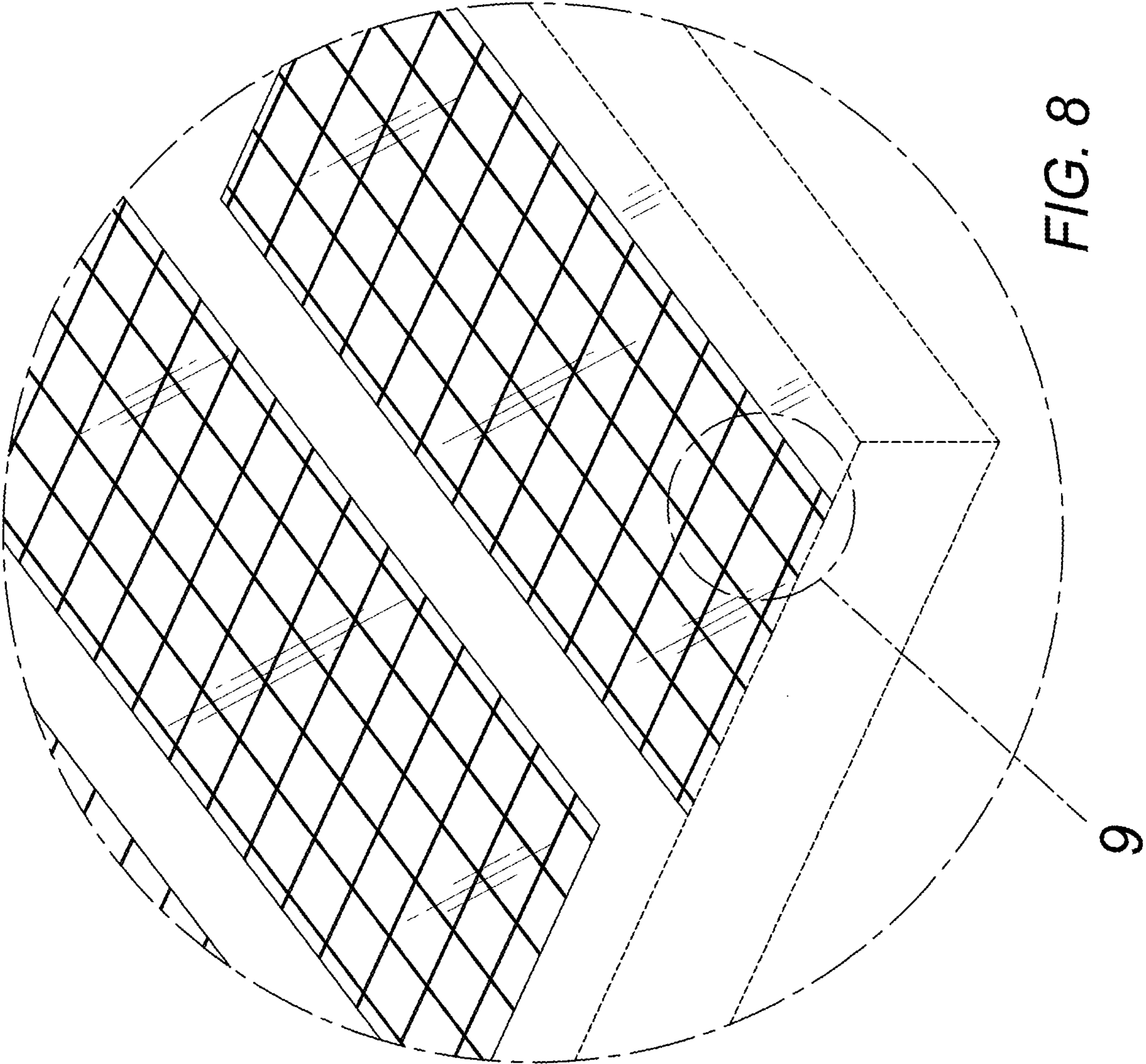


FIG. 7





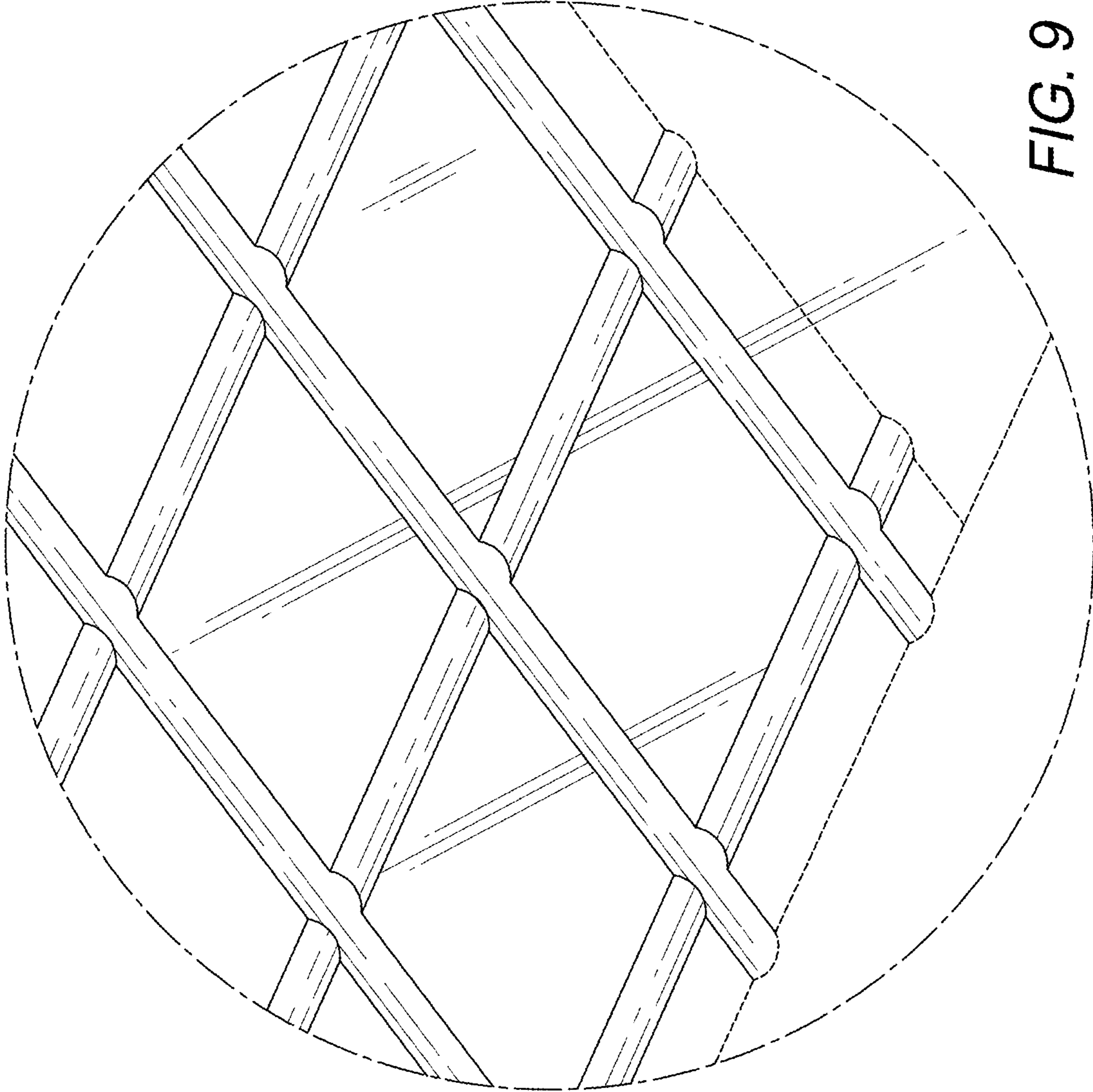


FIG. 9