



US00D953969S

(12) **United States Design Patent**
Tong

(10) **Patent No.:** **US D953,969 S**
(45) **Date of Patent:** **** Jun. 7, 2022**

(54) **VEHICLE RECOVERY BOARD**
(71) Applicant: **NINGBO ZHONGXIN ELECTRONIC TECHNOLOGY CO., LTD.**, Zhejiang (CN)
(72) Inventor: **Mingkui Tong**, Zhejiang (CN)
(73) Assignee: **Ningbo Zhongxin Electronic Technology Co., Ltd**, Ningbo (CN)

(**) Term: **15 Years**

(21) Appl. No.: **29/768,448**

(22) Filed: **Jan. 29, 2021**

(30) **Foreign Application Priority Data**

Oct. 29, 2020 (CN) 202030649101.8

(51) **LOC (13) Cl.** **12-15**

(52) **U.S. Cl.**
USPC **D12/608**

(58) **Field of Classification Search**
USPC D12/608, 604, 400, 203, 217
CPC B60B 39/12; B60C 27/00
See application file for complete search history.

(56) **References Cited**

U.S. PATENT DOCUMENTS

D255,560 S *	6/1980	LaPointe	D12/608
4,300,722 A *	11/1981	Simmons	B60B 39/12 238/14
D355,807 S *	2/1995	O'Rourke	D6/583
D364,837 S *	12/1995	Hargrove	D12/400
5,538,183 A *	7/1996	McGee	B60B 39/12 238/14
D392,924 S *	3/1998	Shleyovich	D12/608
D450,645 S *	11/2001	Love	D12/203
6,520,420 B1 *	2/2003	Singh	B60B 39/12 238/14
D496,628 S *	9/2004	Chiang	D12/608

D643,806 S *	8/2011	Yeh	D12/608
D649,928 S *	12/2011	Cui	D12/400
D654,428 S *	2/2012	Chiang	D12/608
D669,025 S *	10/2012	Spektor	D12/608
D679,649 S *	4/2013	Merrill	D12/608
D700,887 S *	3/2014	Minnis	D12/608
D702,057 S *	4/2014	Nutzati	D6/585
D710,790 S *	8/2014	O'Dell	D12/608
D797,032 S *	9/2017	Dagrossa	D12/400

(Continued)

Primary Examiner — Michelle E. Wilson

Assistant Examiner — Clese Moore, Jr.

(57) **CLAIM**

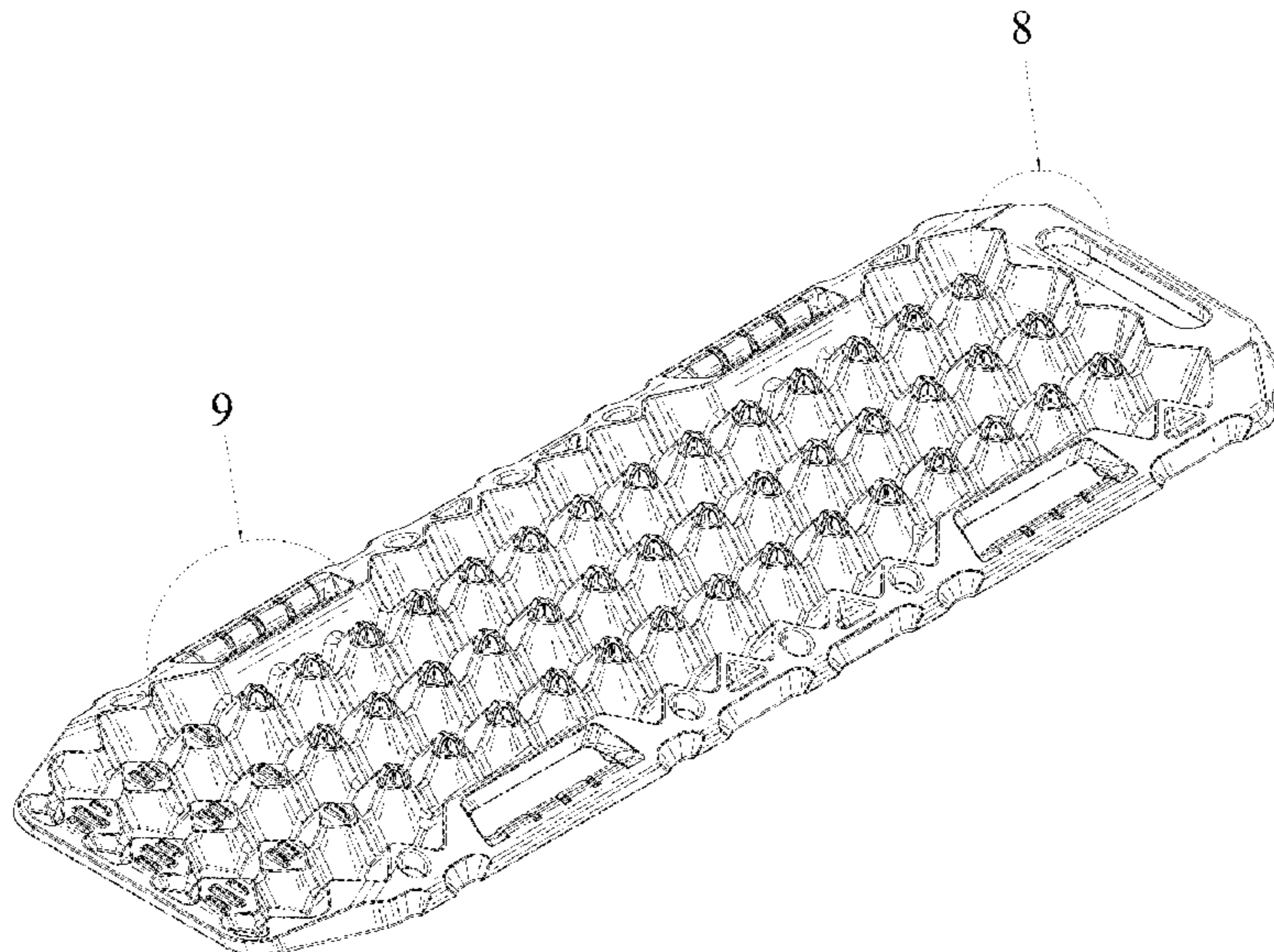
The ornamental design for a vehicle recovery board, as shown and described.

DESCRIPTION

FIG. 1 is a perspective view of a vehicle recovery board showing our new design;
 FIG. 2 is a front view thereof;
 FIG. 3 is a back view thereof;
 FIG. 4 is a left view thereof;
 FIG. 5 is a right view thereof;
 FIG. 6 is an enlarged top view thereof;
 FIG. 7 is an enlarged bottom view thereof;
 FIG. 8 is a partially enlarged view of FIG. 1;
 FIG. 9 is another partially enlarged view of FIG. 1;
 FIG. 10 is a partially enlarged view of FIG. 2;
 FIG. 11 is another partially enlarged view of FIG. 2;
 FIG. 12 is a partially enlarged view of FIG. 3;
 FIG. 13 is another partially enlarged view of FIG. 3;
 FIG. 14 is a partially enlarged view of FIG. 4;
 FIG. 15 is another partially enlarged view of FIG. 4;
 FIG. 16 is a partially enlarged view of FIG. 6; and,
 FIG. 17 is a partially enlarged view of FIG. 7.

The broken lines shown on the drawings depict portions of the vehicle recovery board that form no part of the claimed design.

1 Claim, 17 Drawing Sheets



(56)

References Cited

U.S. PATENT DOCUMENTS

D829,148 S * 9/2018 Joyce D12/608
D854,995 S * 7/2019 Dagrossa D12/203
D879,030 S * 3/2020 Dueck D12/608
10,661,606 B2 * 5/2020 McCarthy B60B 39/12
2008/0217077 A1 * 9/2008 McCarthy B60B 39/12
180/9
2020/0231220 A1 * 7/2020 Petty B62D 25/184
2020/0307313 A1 * 10/2020 Hadley B60B 39/12

* cited by examiner

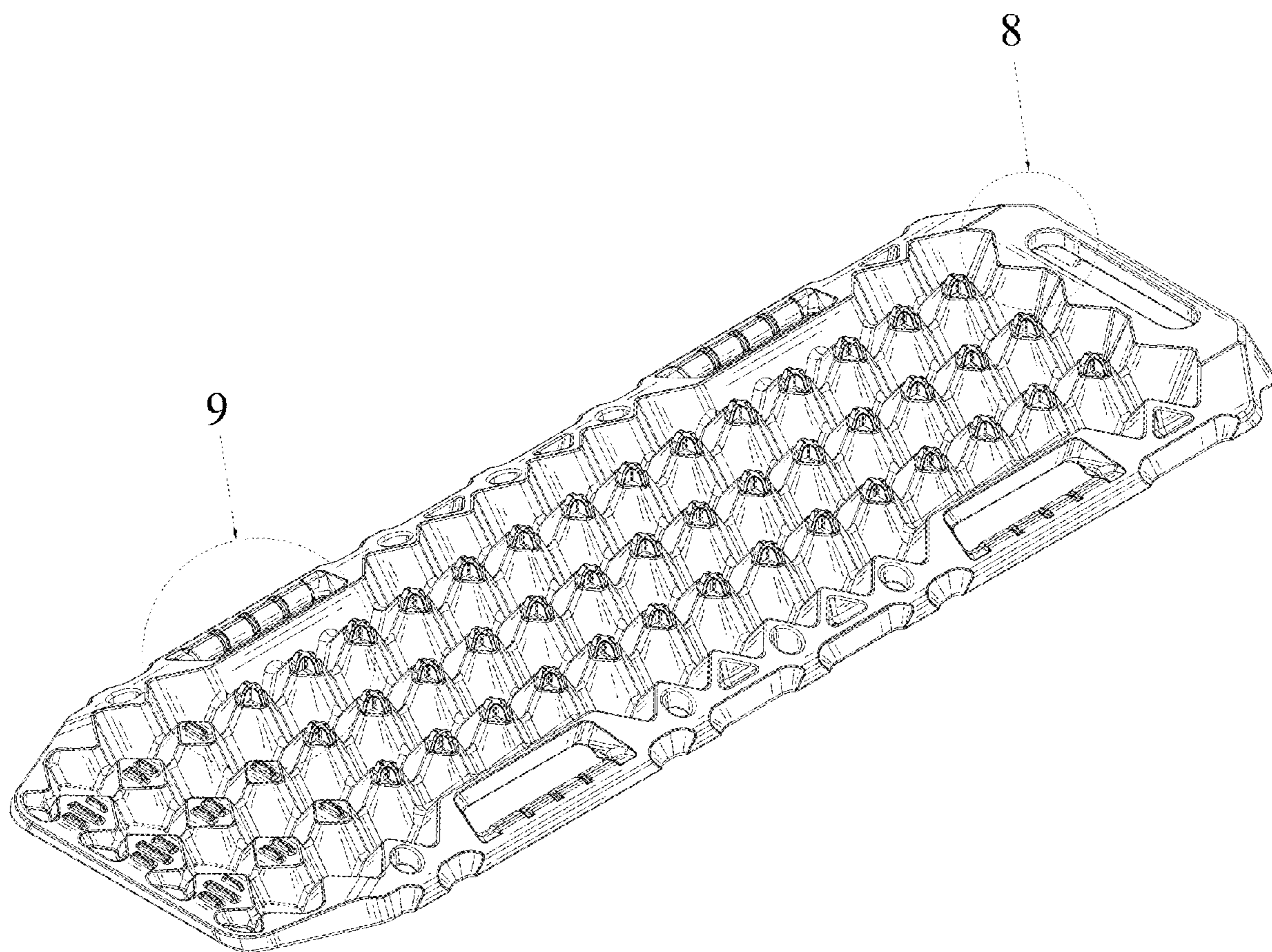


FIG. 1

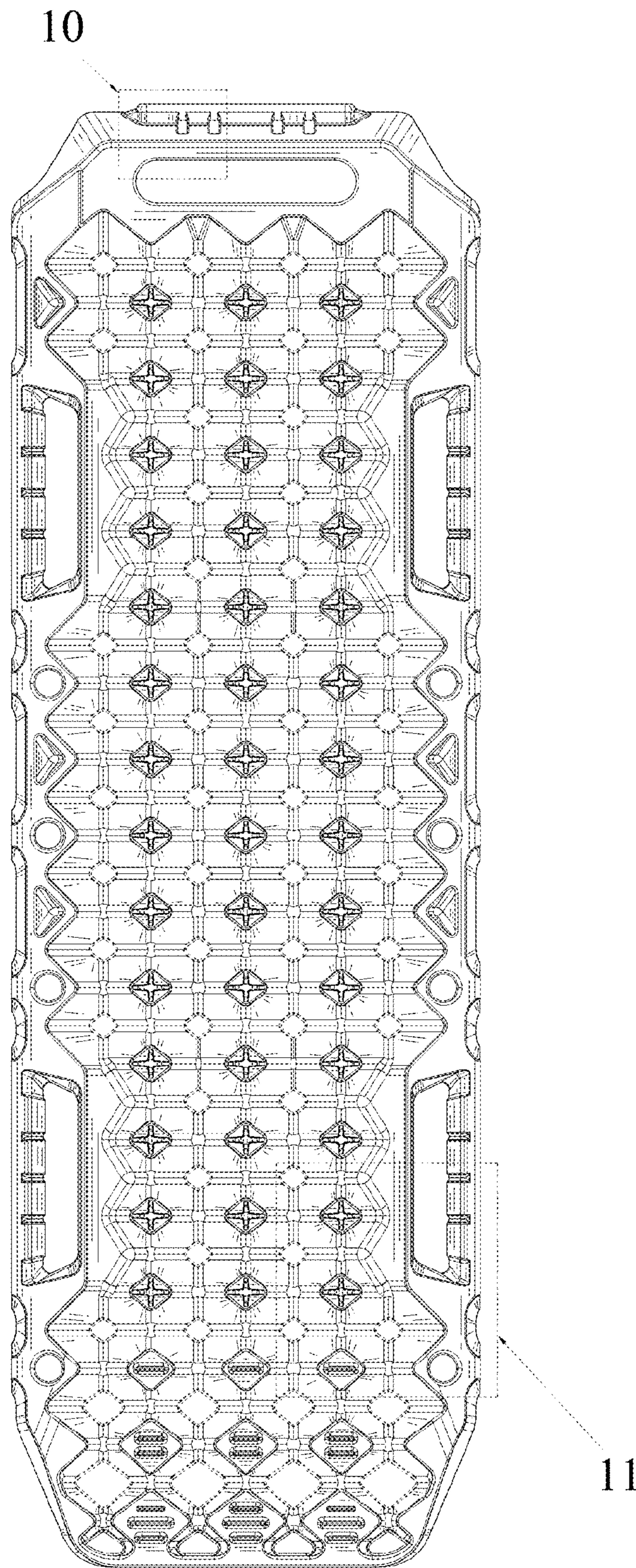


FIG. 2

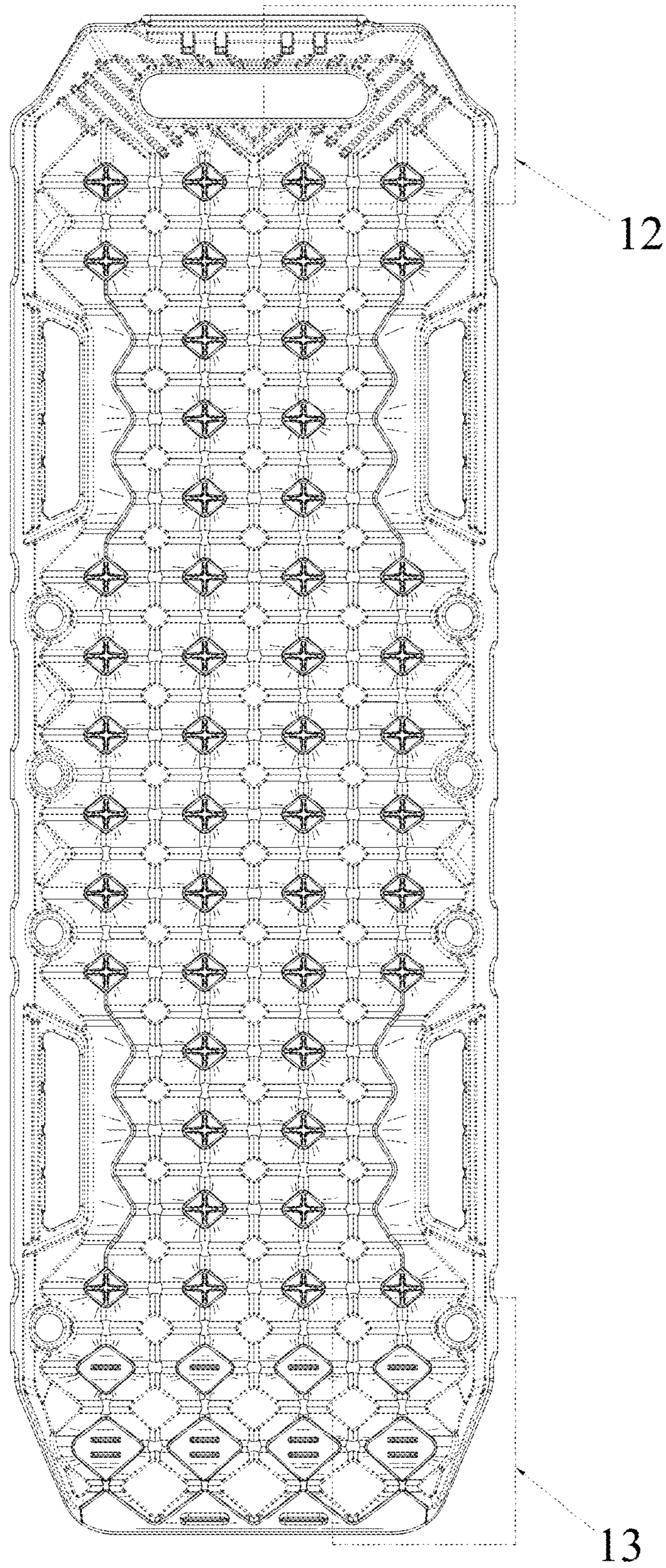


FIG. 3

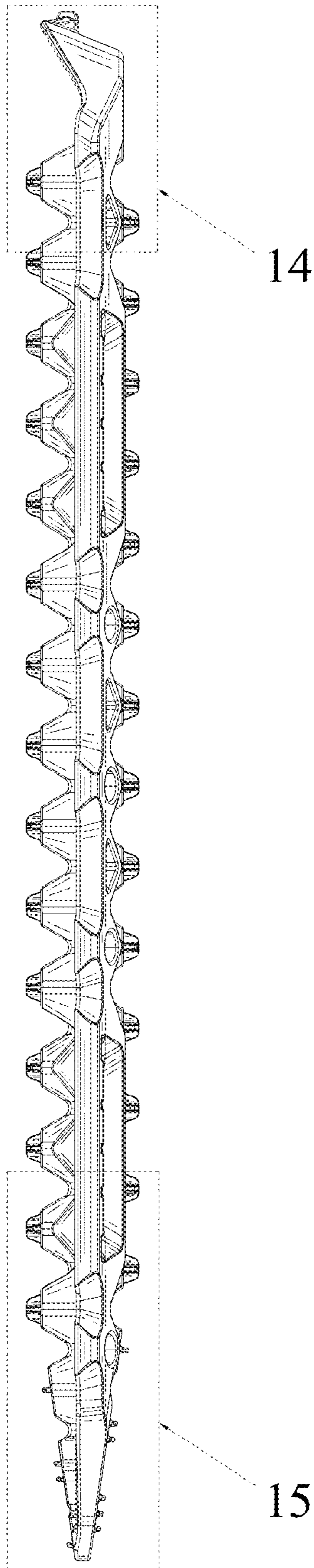


FIG. 4

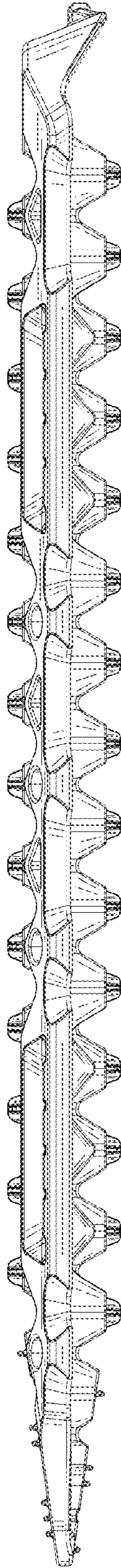


FIG. 5

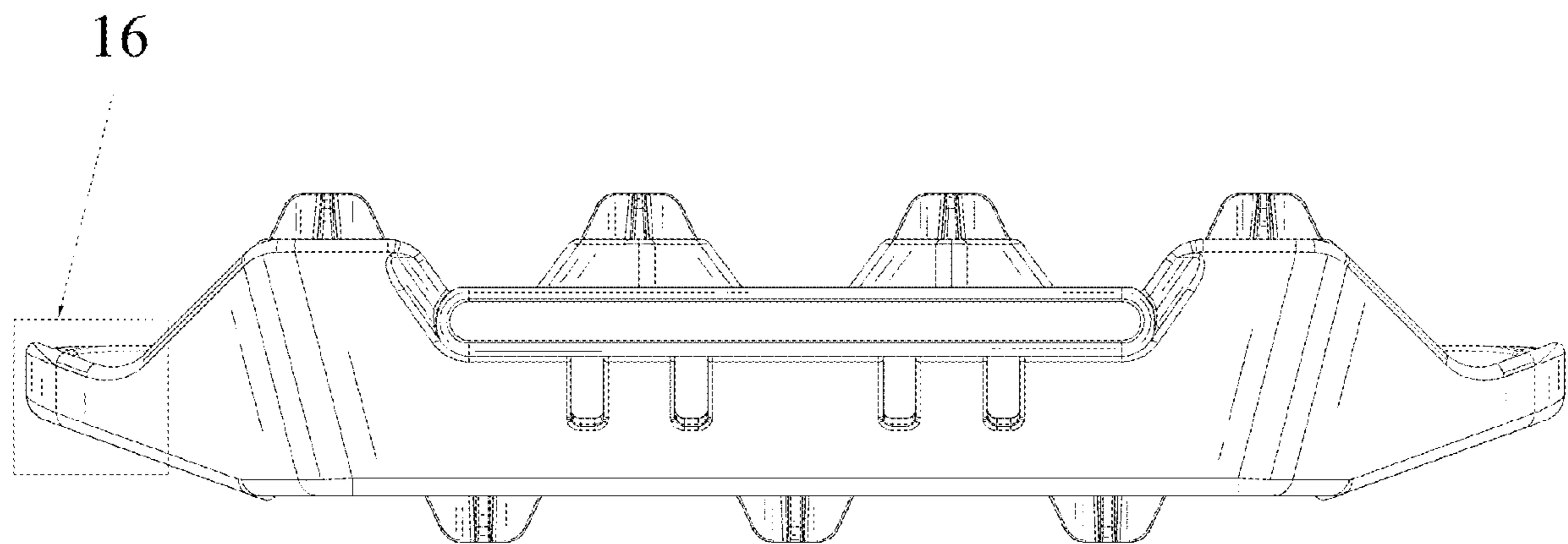


FIG. 6

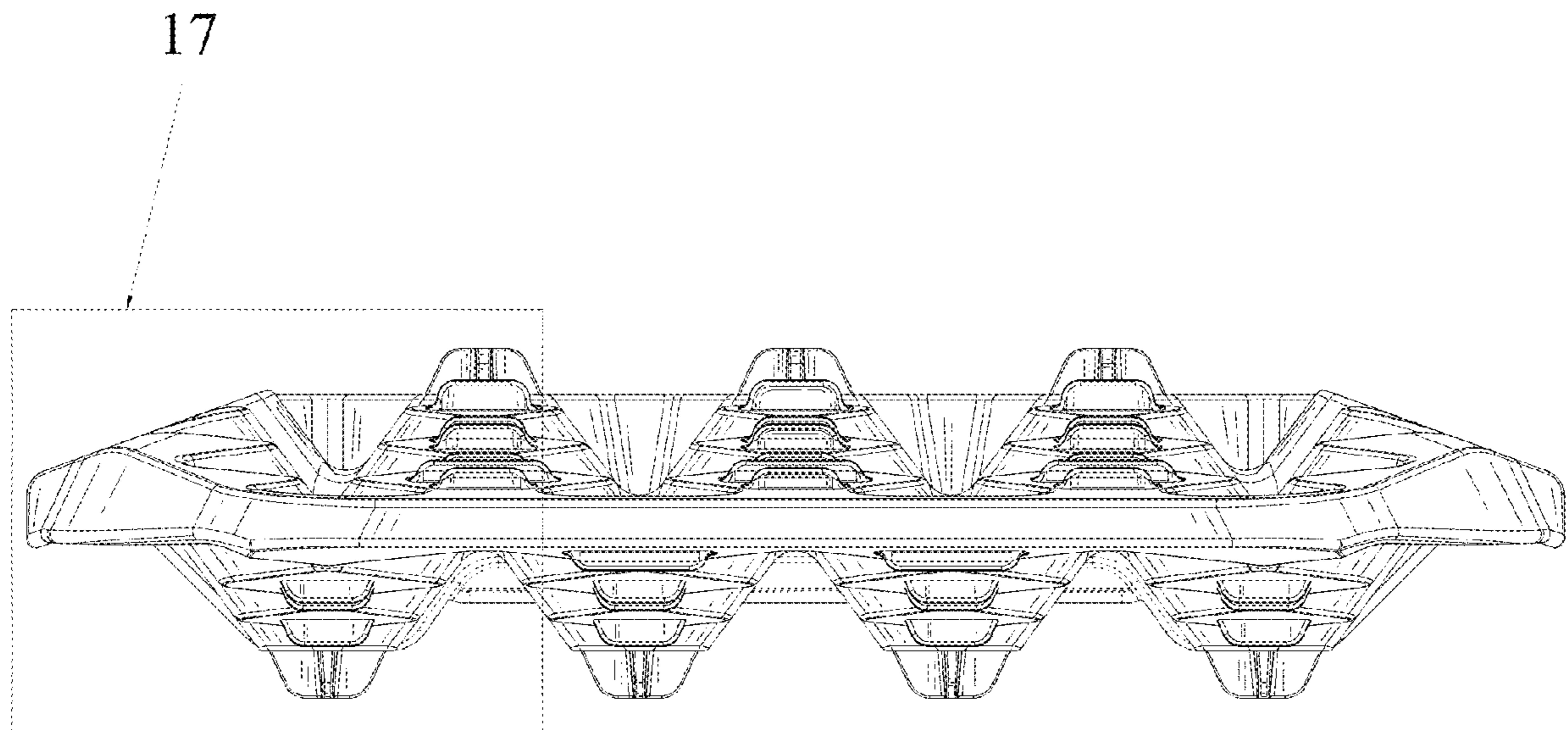


FIG. 7

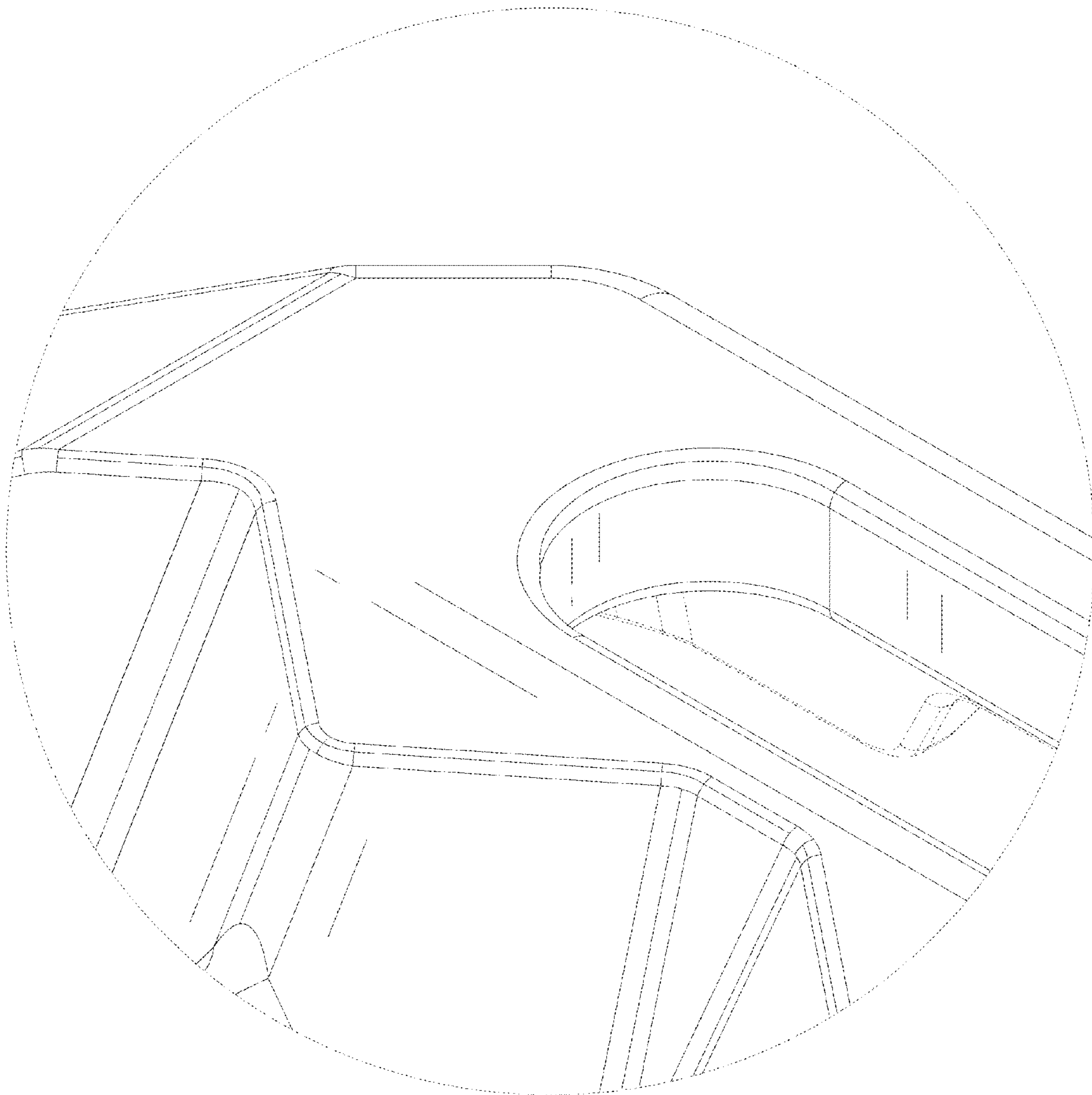


FIG. 8

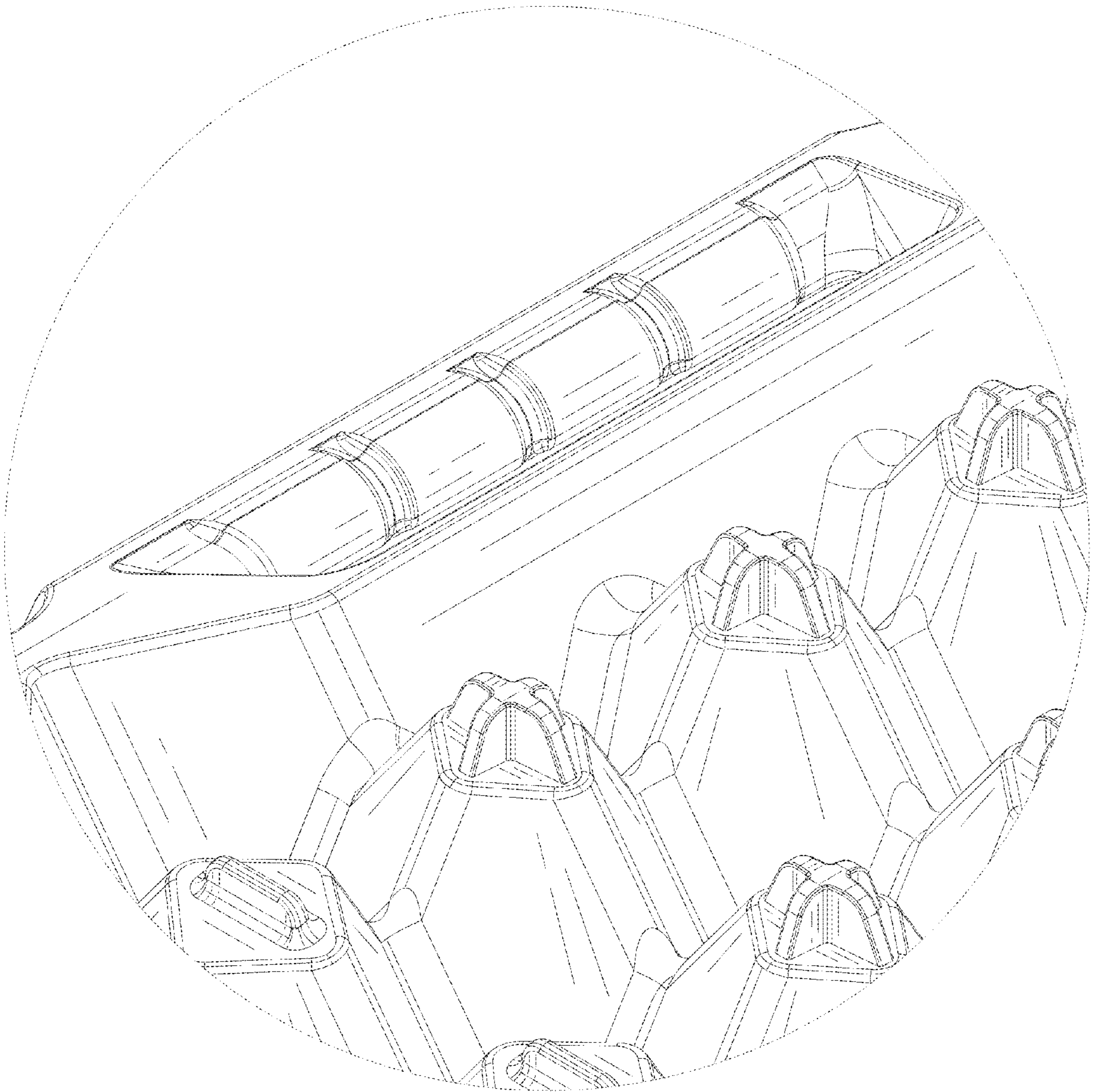


FIG. 9

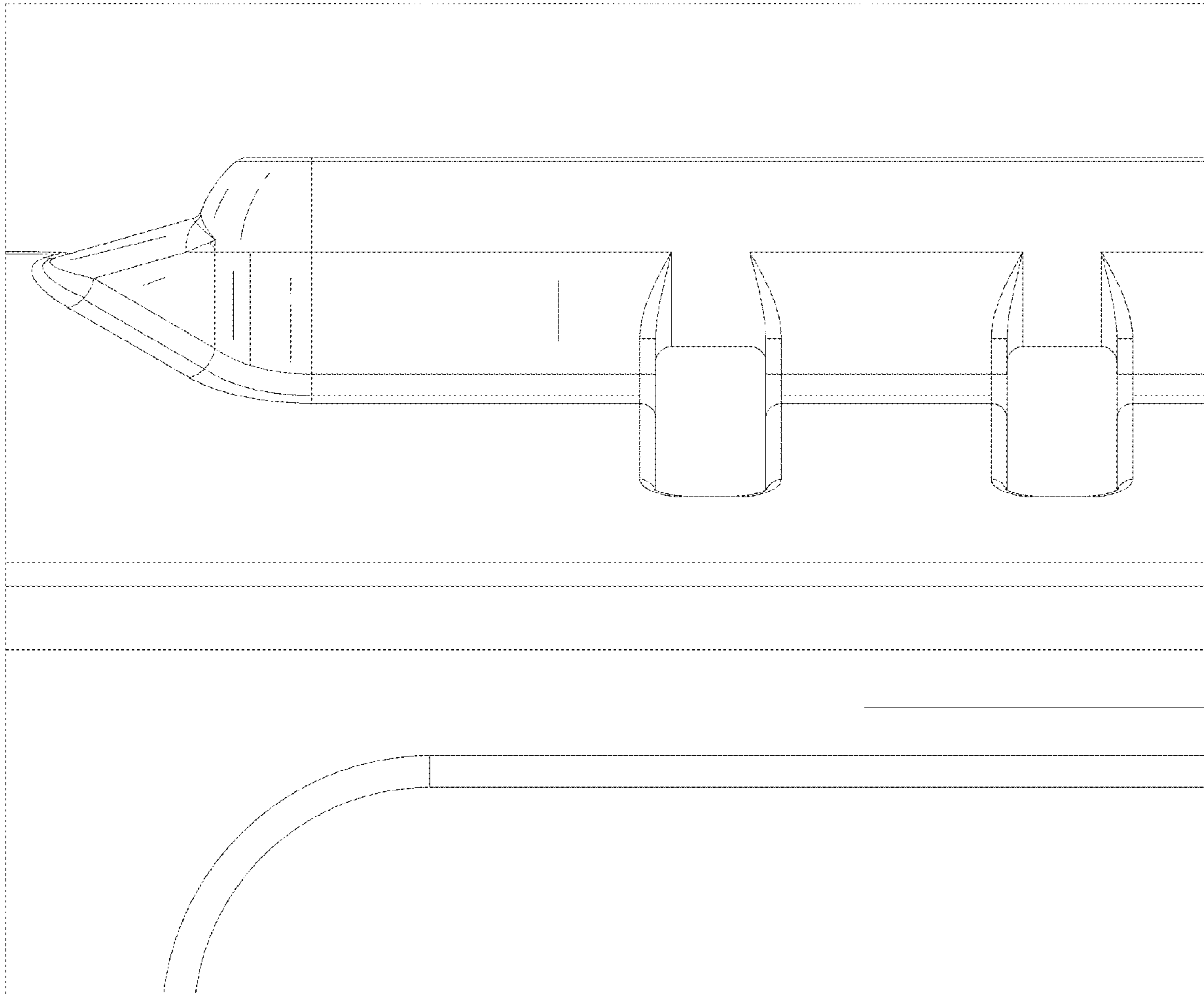


FIG. 10

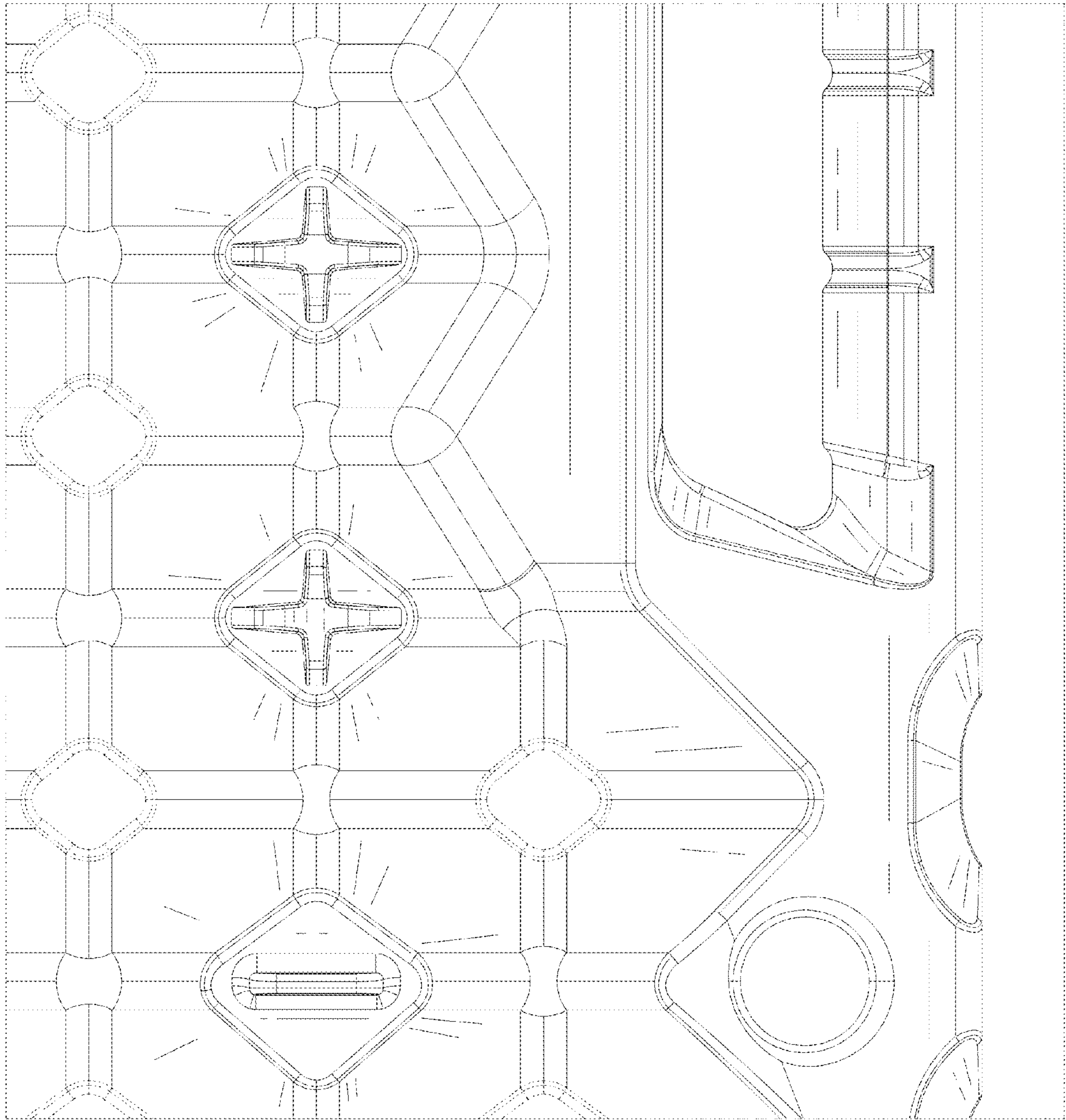


FIG. 11

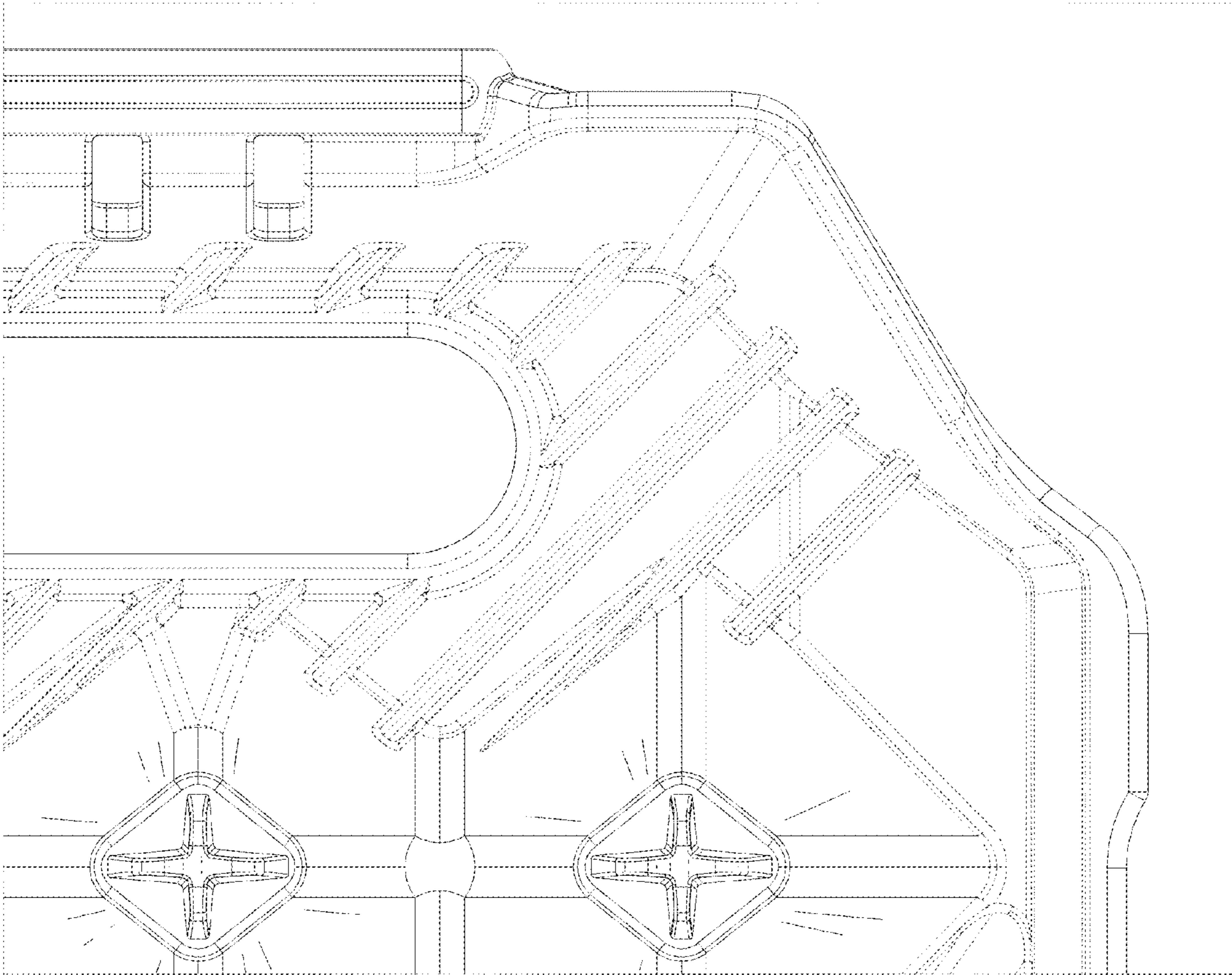


FIG. 12

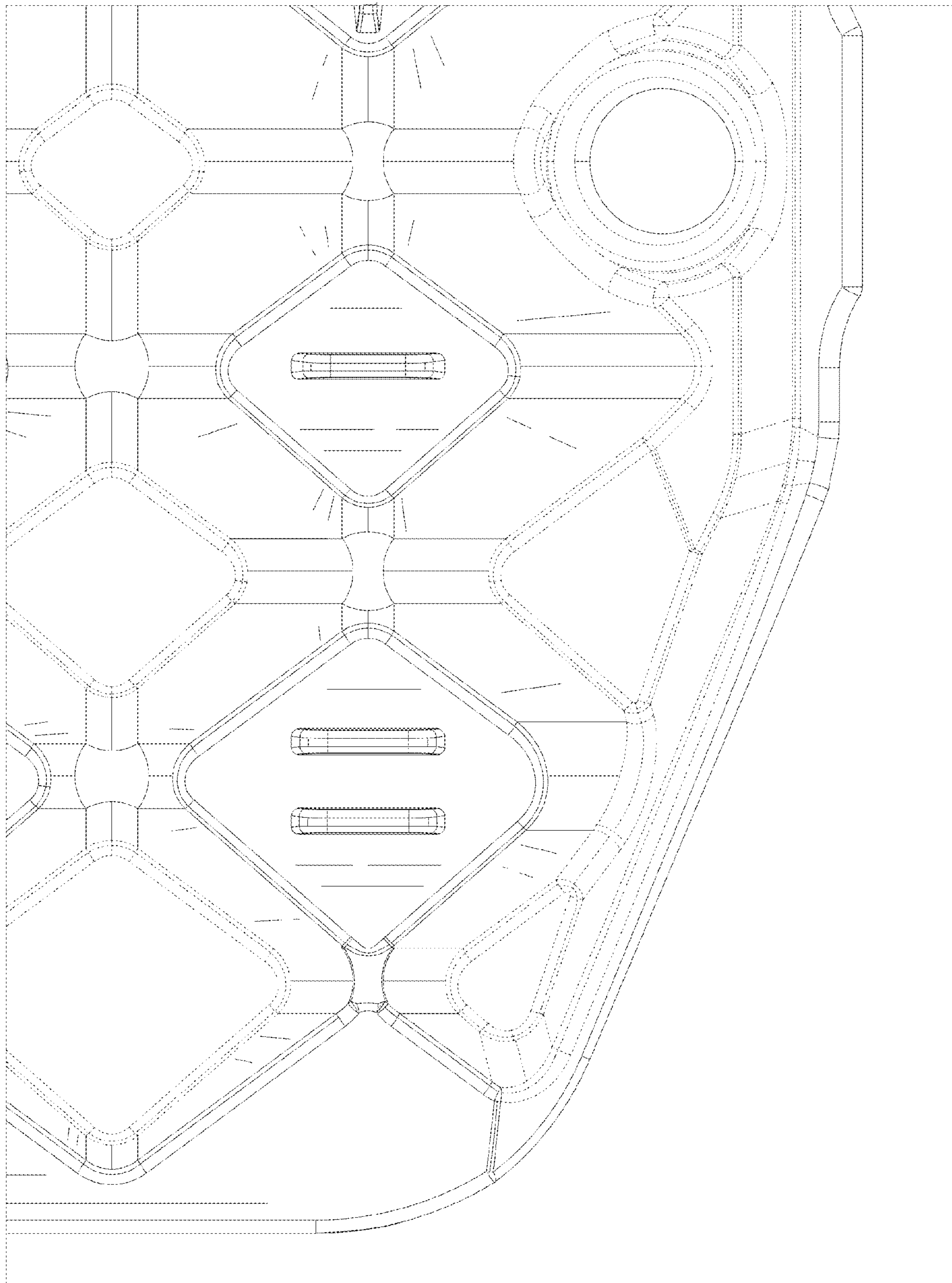


FIG. 13

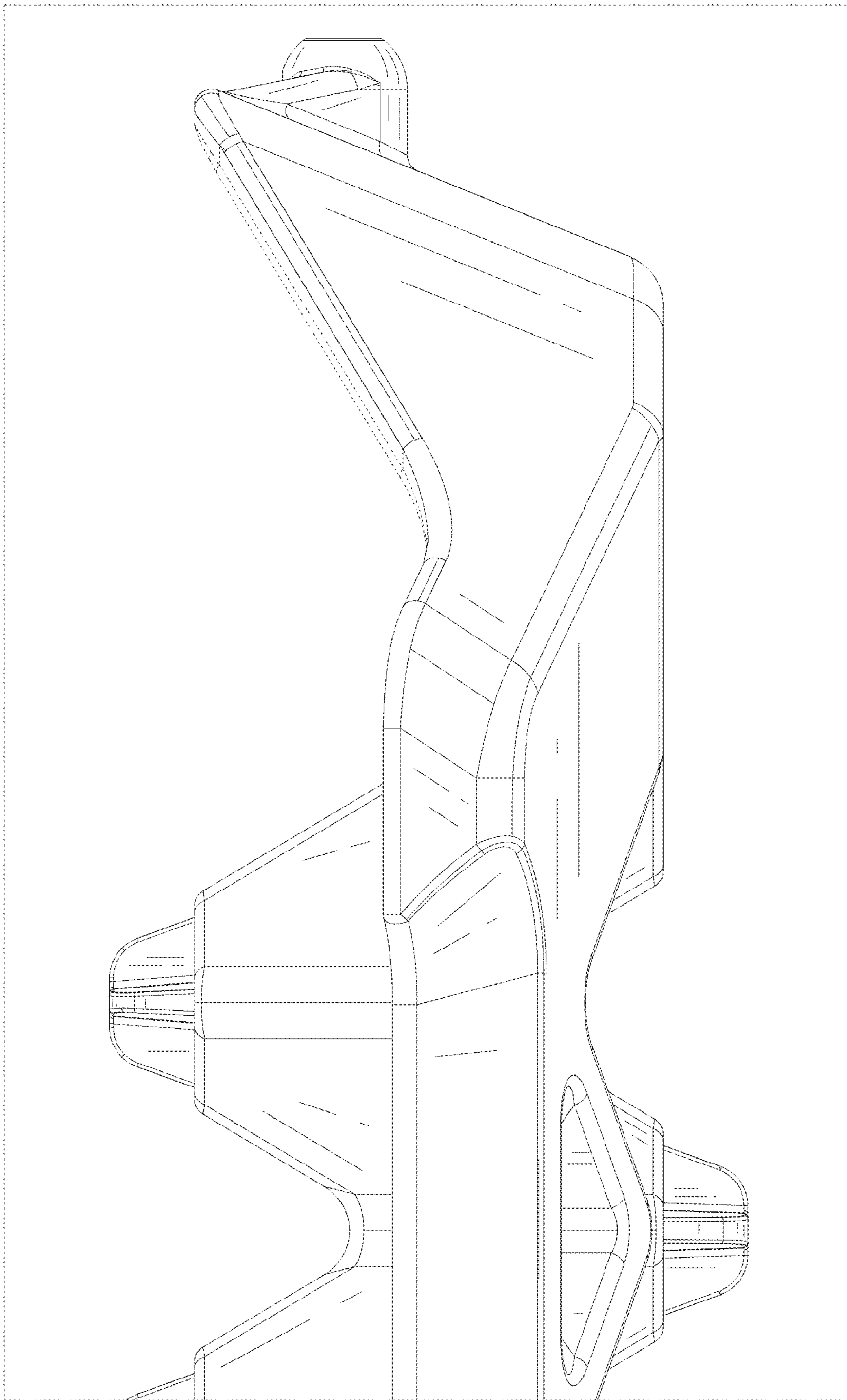


FIG. 14

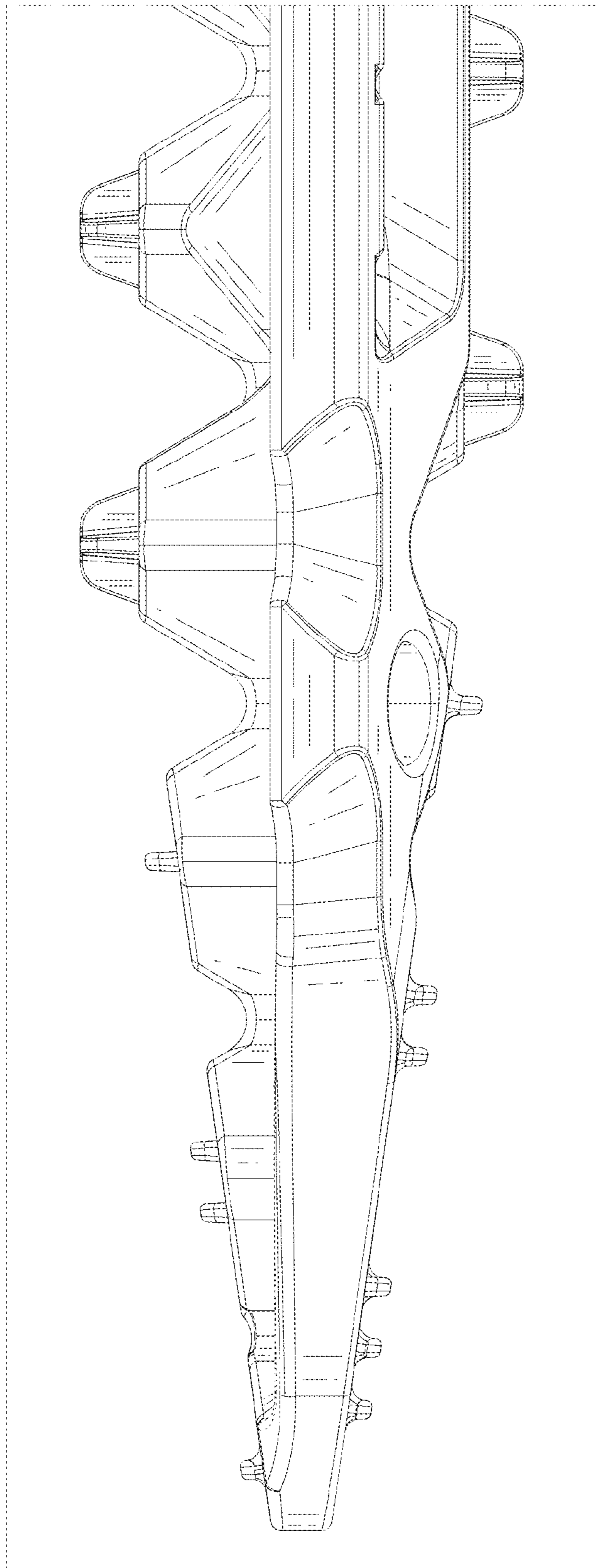


FIG. 15

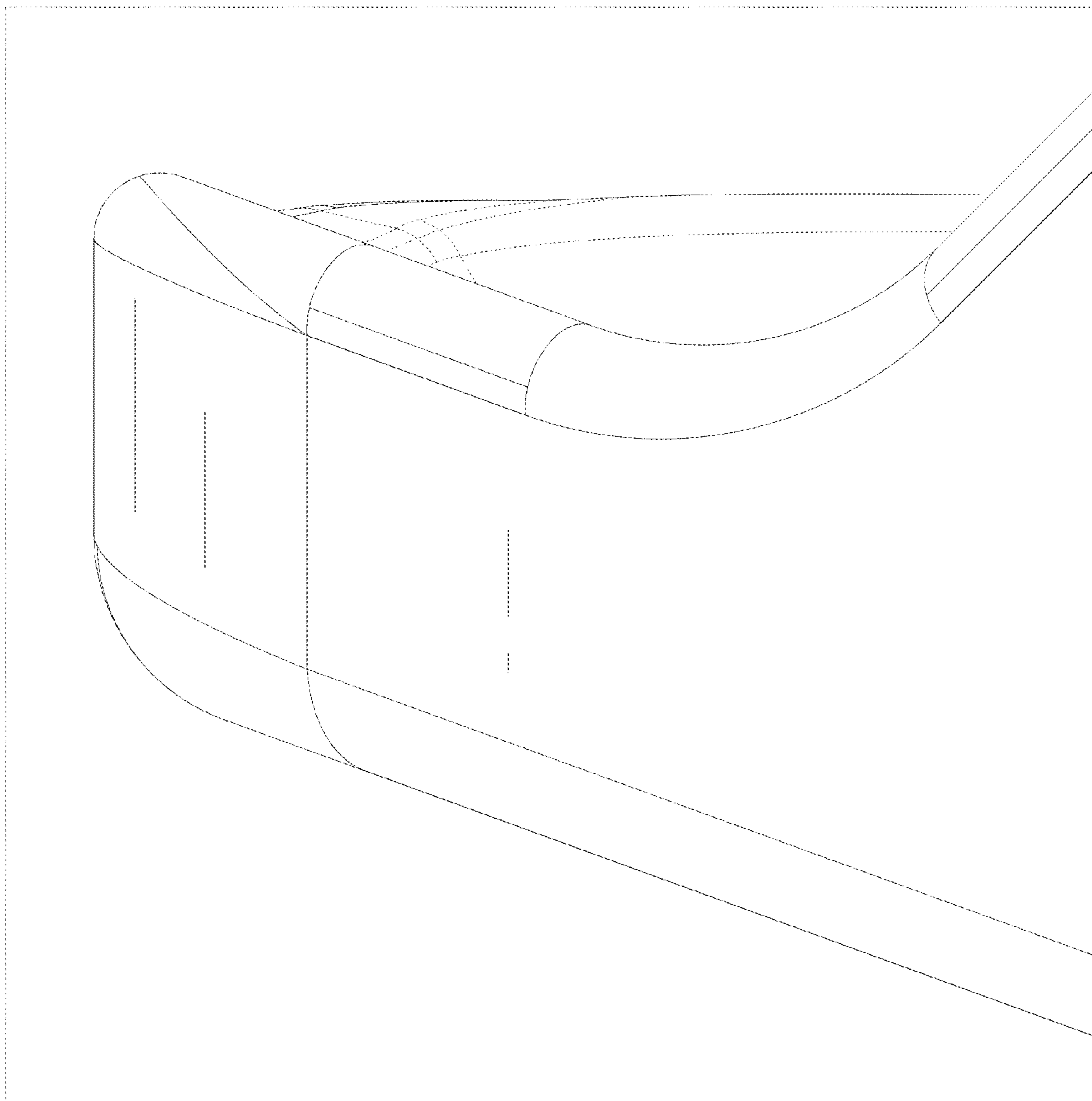


FIG. 16

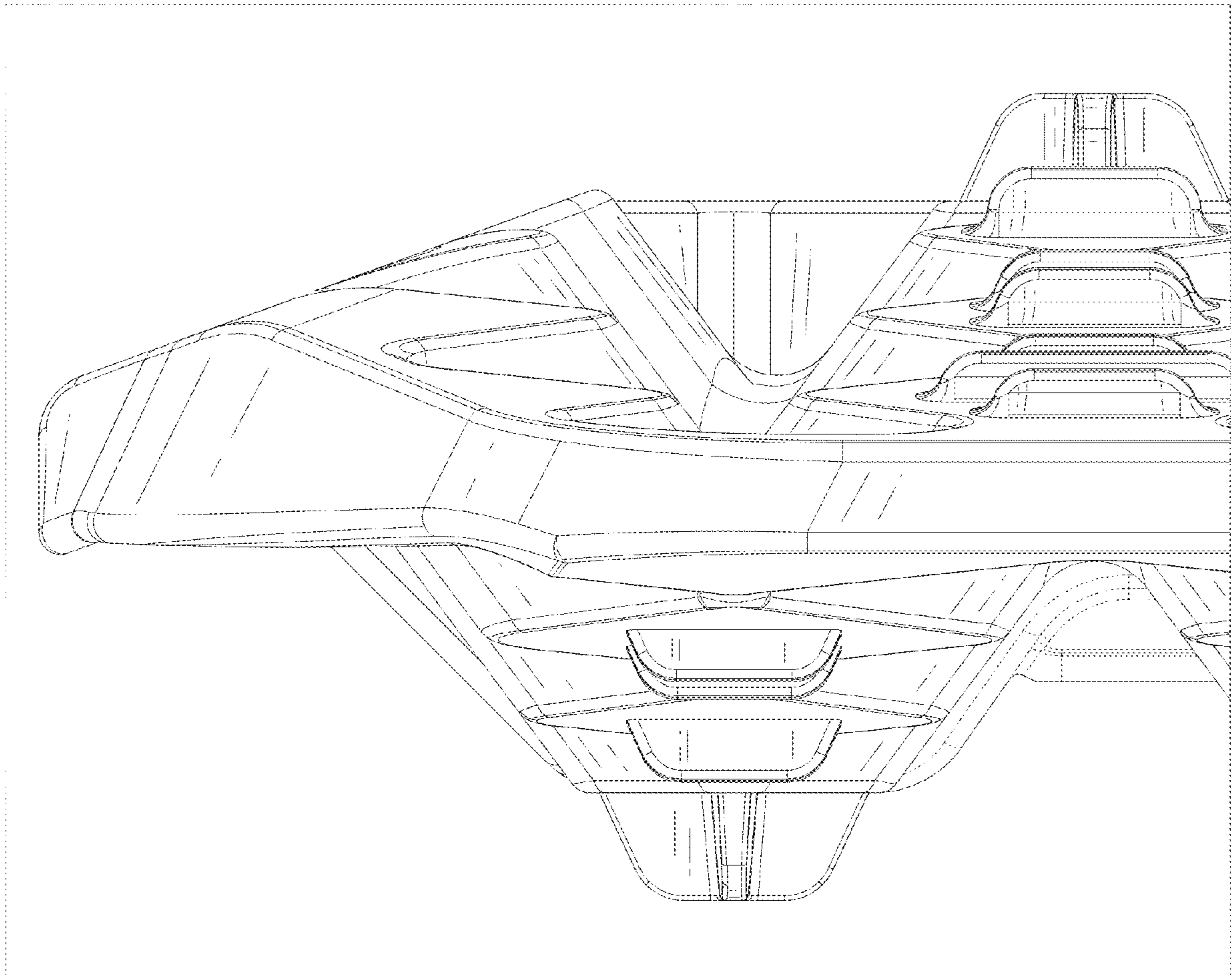


FIG. 17