



US00D953960S

(12) **United States Design Patent**
Moore et al.

(10) **Patent No.:** **US D953,960 S**
(45) **Date of Patent:** **** Jun. 7, 2022**

(54) **WATER FLOW DEFLECTION DEVICE**

6,006,689 A 12/1999 Olofsson
6,012,408 A 1/2000 Castillo
6,105,527 A 8/2000 Lochtefeld et al.
(Continued)

(71) Applicant: **Swell Ventures LLC**, White Bear Lake, MN (US)

(72) Inventors: **Adam Moore**, White Bear Lake, MN (US); **Joseph Couture**, Lino Lakes, MN (US)

FOREIGN PATENT DOCUMENTS

WO WO2013071148 5/2013

(73) Assignee: **Swell Ventures LLC**, White Bear Lake, MN (US)

OTHER PUBLICATIONS

Karbassi, "Vacuum Systems for Successful Robot Implementation", Oct. 15, 2013, Robotics Tomorrow <https://www.robotictomorrow.com/article/2013/10/vacuum-systems-for-successful-robot-implementation/206>.

(**) Term: **15 Years**

(Continued)

(21) Appl. No.: **29/727,166**

Primary Examiner — Cynthia M. Chin

(22) Filed: **Mar. 9, 2020**

(74) *Attorney, Agent, or Firm* — Dewitt LLP

(51) **LOC (13) Cl.** **12-06**

(52) **U.S. Cl.**
USPC **D12/317**

(58) **Field of Classification Search**
USPC D12/317, 318
CPC B63B 34/70; B63B 34/75; B63B 1/22;
B63B 1/24; B63B 1/32; B63B 1/325
See application file for complete search history.

(57) **CLAIM**

We claim the ornamental design for water flow deflection device, as shown and described.

DESCRIPTION

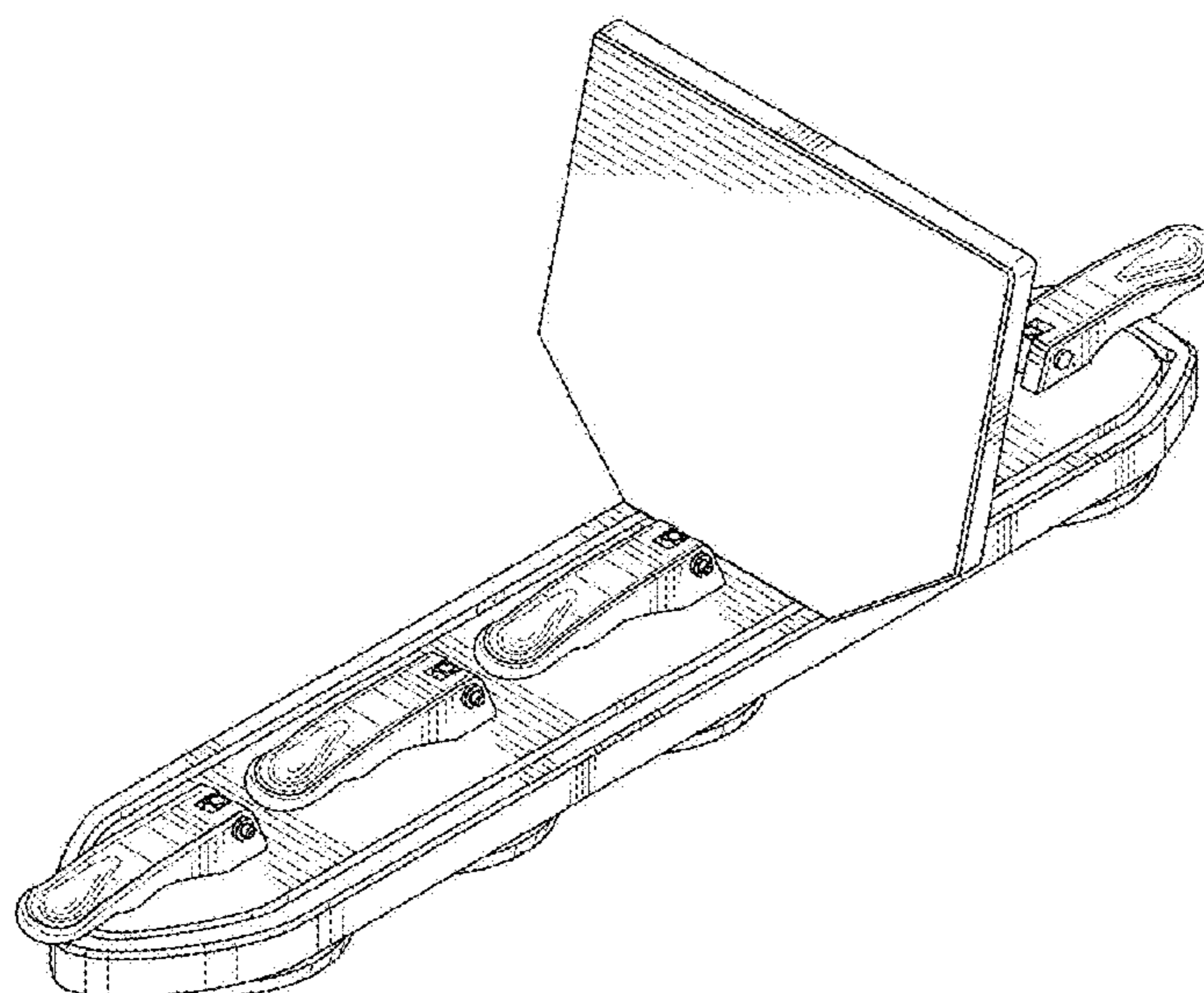
FIG. 1 is a top, front perspective view of a water flow deflection device of the present invention.
FIG. 2 is a left, side view of the water flow deflection device depicted in FIG. 1.
FIG. 3 is a right, side view of the water flow deflection device depicted in FIG. 1.
FIG. 4 is a top view of the water flow deflection device depicted in FIG. 1.
FIG. 5 is a bottom of the water flow deflection device depicted in FIG. 1.
FIG. 6 is a front view of the water flow deflection device depicted in FIG. 1; and,
FIG. 7 is a rear view of the water flow deflection device depicted in FIG. 1.
The broken lines are for the purpose of illustrating portions of the device that form no part of the claimed design.

(56) **References Cited**

U.S. PATENT DOCUMENTS

2,127,154 A	8/1938	Burk
2,914,019 A	11/1959	Miller
3,159,134 A	12/1964	Winnen
3,763,812 A	10/1973	Rowe
3,769,927 A	11/1973	Carney
3,918,666 A	11/1975	Florian
4,043,531 A	8/1977	Green
4,577,580 A	3/1986	Diffely
5,184,858 A	2/1993	Arai
5,224,436 A	7/1993	Stricker
5,549,071 A	8/1996	Pigeon et al.
5,611,295 A	3/1997	Stables
5,860,384 A	1/1999	Castillo
5,860,766 A	1/1999	Lochtefeld et al.

1 Claim, 6 Drawing Sheets



(56)

References Cited

U.S. PATENT DOCUMENTS

6,154,929 A 12/2000 Dwyer
 6,167,830 B1 1/2001 Pilger
 6,520,104 B1 2/2003 Svensson
 6,712,016 B1 3/2004 Morisch et al.
 6,874,441 B2 4/2005 Pigeon
 6,941,884 B2 9/2005 Moore
 7,063,031 B2 6/2006 Earl et al.
 7,140,318 B1 11/2006 Gasper
 7,174,843 B1 2/2007 Tossavainen
 7,182,037 B2 2/2007 Otobe et al.
 7,189,127 B2 3/2007 Otobe et al.
 7,201,111 B1 4/2007 Burkett
 7,229,059 B1 6/2007 Hood
 7,252,047 B1 8/2007 Baucom
 7,434,531 B1 10/2008 Zsido et al.
 7,475,652 B2 1/2009 Dvorak
 7,617,026 B2 11/2009 Gee et al.
 7,665,706 B2 2/2010 Chien et al.
 8,336,447 B2 12/2012 Jarisch et al.
 8,387,932 B2 3/2013 Takahashi et al.
 8,453,591 B2 6/2013 Mannerfelt et al.
 8,534,214 B1 9/2013 Gasper
 8,573,873 B2 11/2013 Kalush
 8,578,837 B1 11/2013 Burhoe
 8,667,917 B2 3/2014 Brewer
 D702,304 S 4/2014 Potter
 8,833,286 B1 9/2014 Sheedy et al.
 9,032,897 B2 5/2015 Argo
 9,296,447 B1 3/2016 Morgan et al.
 9,422,028 B2 * 8/2016 Wilhelm B63B 1/18
 9,540,074 B1 1/2017 Pigeon
 9,834,280 B1 12/2017 Wilmoth
 9,889,909 B2 2/2018 Morgan et al.
 9,914,509 B1 3/2018 Tegder
 10,059,404 B2 8/2018 Clover et al.
 10,183,726 B1 * 1/2019 McNaughton B63B 34/75
 10,358,189 B2 * 7/2019 Sheedy B63B 1/286
 D860,108 S * 9/2019 McNaughton B63B 34/75
 D864,838 S * 10/2019 Clover B63B 34/75
 D893,395 S * 8/2020 Spendlove B63B 1/286
 11,001,341 B2 5/2021 Spendlove
 11,046,393 B2 * 6/2021 Sheedy B63B 1/20
 2007/0216154 A1 9/2007 Casagrande
 2007/0257167 A1 11/2007 Richter
 2008/0190348 A1 8/2008 Baker
 2013/0228114 A1 * 9/2013 Gasper B63B 1/32
 2013/0228115 A1 9/2013 Gasper et al.
 2014/0261135 A1 9/2014 Gasper et al.
 2015/0175242 A1 * 6/2015 Sheedy B63B 32/70
 2016/0009342 A1 1/2016 Thomas
 2016/0059934 A1 3/2016 Wilhelm

2016/0340948 A1 11/2016 McCullough
 2017/0038771 A1 * 2/2017 Green G06F 3/165
 2017/0233038 A1 * 8/2017 Clover B63B 32/70
 2019/0210693 A1 * 7/2019 Spendlove B63B 32/70
 2020/0385092 A1 * 12/2020 Eberhardt B60N 2/5685
 2021/0070406 A1 3/2021 Thompson

OTHER PUBLICATIONS

Welcome Aboard-Suction Cleat, pp. 1-2, Nov. 29, 2010, Welcome Aboard Catalog, <<http://www.welcome-aboard.com/prodinfo.asp?number=SC1001>>, retrieved from Internet Archive Wayback Machine, <<http://www.wayback.archive.org/web>> on Jun. 13, 2020.
 Instagram Social Media Post: "Delta Wakesurfing made simple" Mission Boat Gear, Apr. 28, 2016, 1 page. <https://www.instagram.com/p/BEvtcIIFZ4i/?hl=en&taken-by=missionboatgear>.
 Instagram Social Media Post: "Delta Wakesurfing made simple" Mission Boat Gear, May 5, 2016, 1 page. <https://www.instagram.com/p/BFBdm5VFZxS/?hl=en&taken-by=missionboatgear>.
 Mission LLC, Newsletter: "Delta Wakesurfing made simple." Mission Boat Gear (2016), 4 pages. Printed from <https://us12.campaign-archive.com/?u=a9fdbcd03d7fe907c44539a29&id=eeb301246c> on Jun. 13, 2020.
 Mission LLC, Newsletter: "Meet Delta." Mission Boat Gear (2016), 3 pages. Printed from <https://us12.campaign-archive.com/?u=a9fdbcd03d7fe907c44539a29&id=092fa57578> on Jun. 13, 2020.
 Mission LLC, Newsletter: "Spring is Here, Mission Delta Wakesurf, A new name for a new era." Mission Boat Gear (2016), 7 pages. Printed from <https://us12.campaign-archive.com/?u=a9fdbcd03d7fe907c44539a29&id=ae592f163c> on Jun. 13, 2020.
 Online Community Forum "DIY Wake Surf Shaper" MasterCraft Team Talk, Oct. 11, 2015 to May 6, 2016, forum pp. 1 to 16, 94 pages. Printed from <http://www.mastercraft.com/teamtalk/showthread.php?t=70442> on Jun. 13, 2020.
 Product description "Eight.3 Debuts Blade Wakesurf Shaper | Wake Makers," 9 pages. Printed from <https://www.wakemakers.com/eight3-blade-wakesurf-shaper.html> on Jun. 13, 2020.
 Product description "Eight.3 Ronix Blade 138 Wakesurf Shaper, Newest Suction Cup Device," 5 pages. Printed from <https://www.wakemakers.com/resources/eight3-blade-wakesurf-shaper-debut/> on Jun. 13, 2020.
 Product description "Wakesurf Shaper the 138 Concave Blade | Ronix," 3 pages. Printed from <https://www.ronixwake.com/Product/wakesurf-shaper-the-138-concave-blade/> on Jun. 14, 2020/.
 PLANETNAUTIQUE Forum, Aug. 16, 2016, printed from <https://www.planetnautique.com/vb5/forum/nautique-topics/general-nautique-discussion/497351-swell-wakesurf-creator> as accessed on May 28, 2020.
 PLANETNAUTIQUE Forum, Aug. 28, 2016, printed from <https://www.planetnautique.com/vb5/forum/nautique-topics/maintenance-technical-discussion/diy-articles/470350-hull-side-surf-wedge-diy/> page2 as accessed at Oct. 31, 2018.
 Photograph of Device dated Sep. 5, 2015.

* cited by examiner

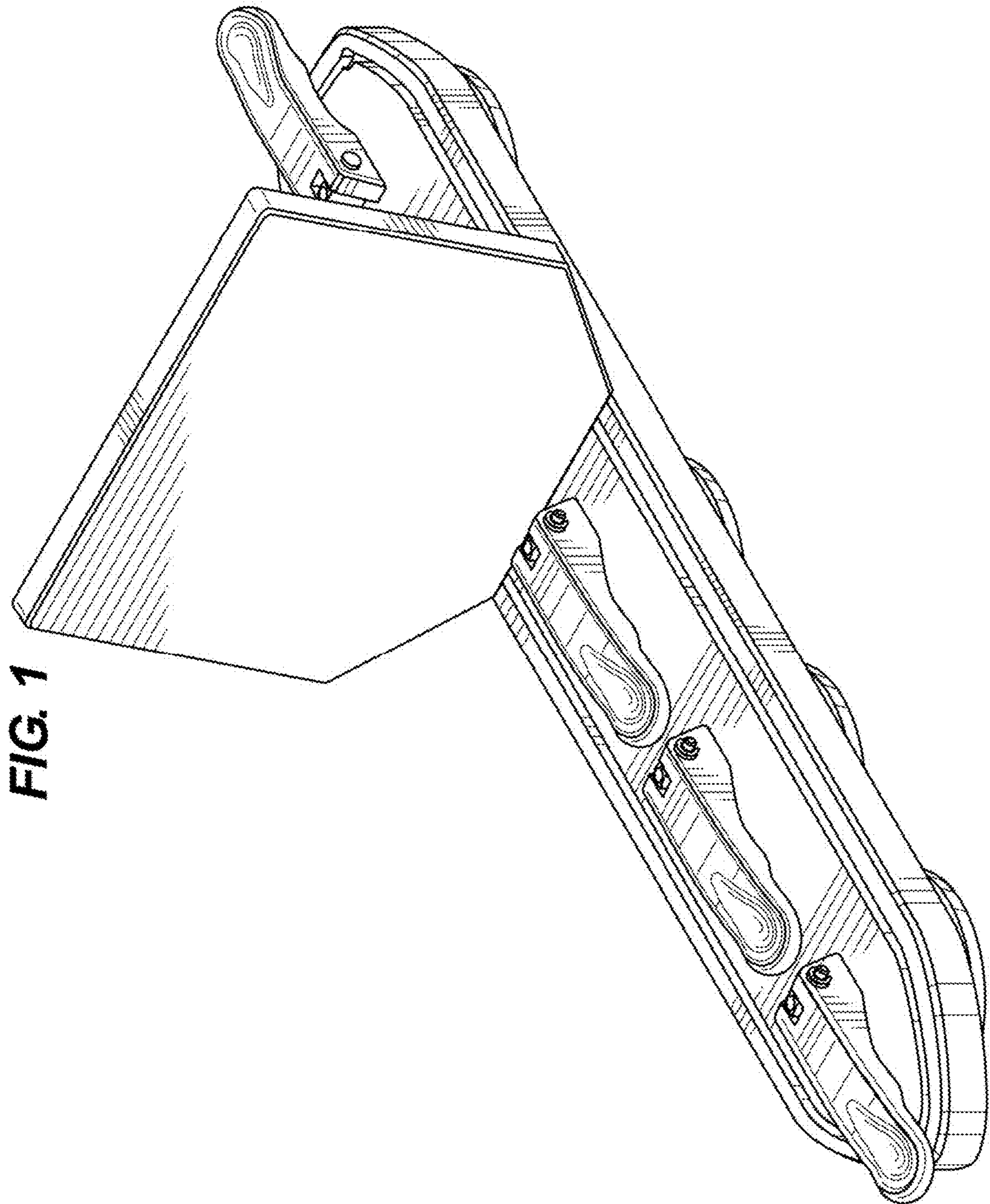


FIG. 1

FIG. 2

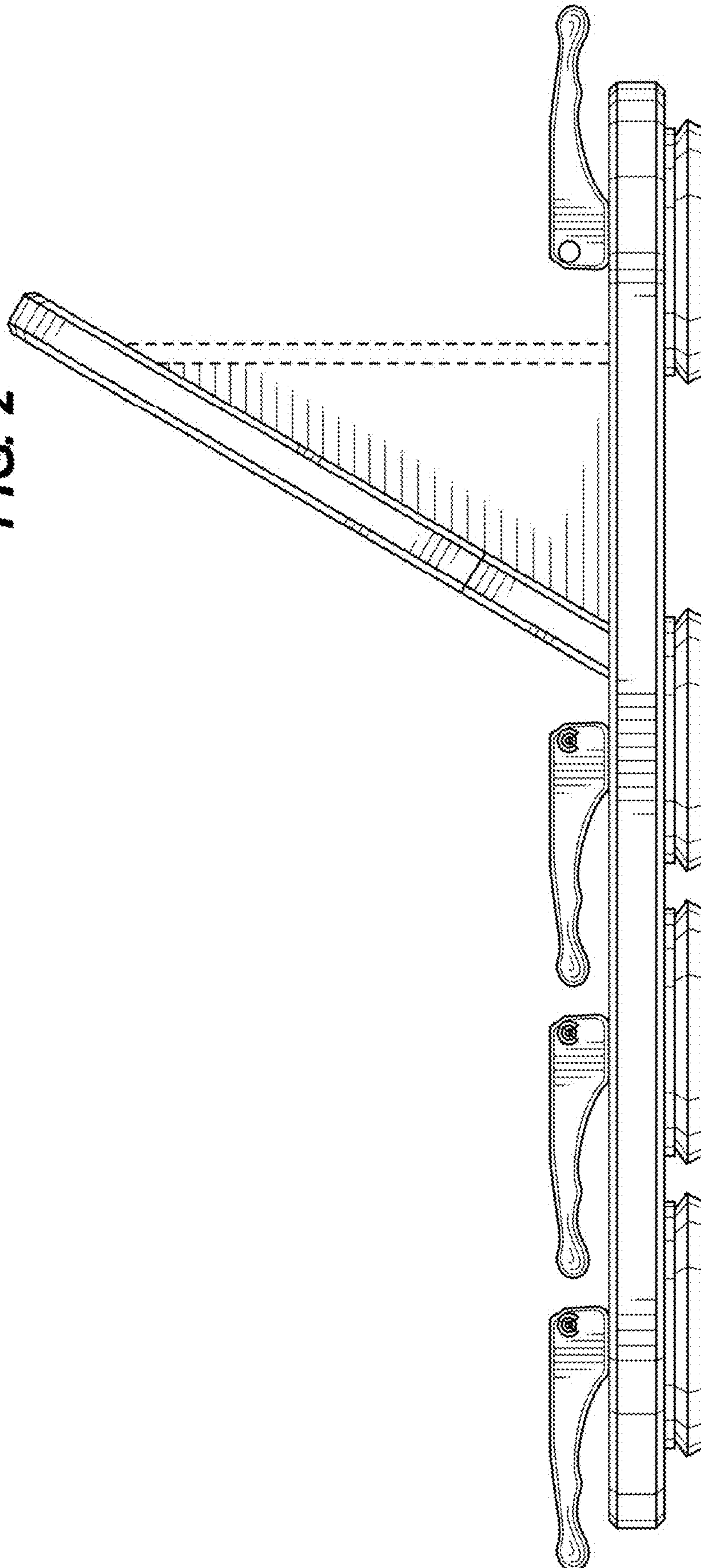
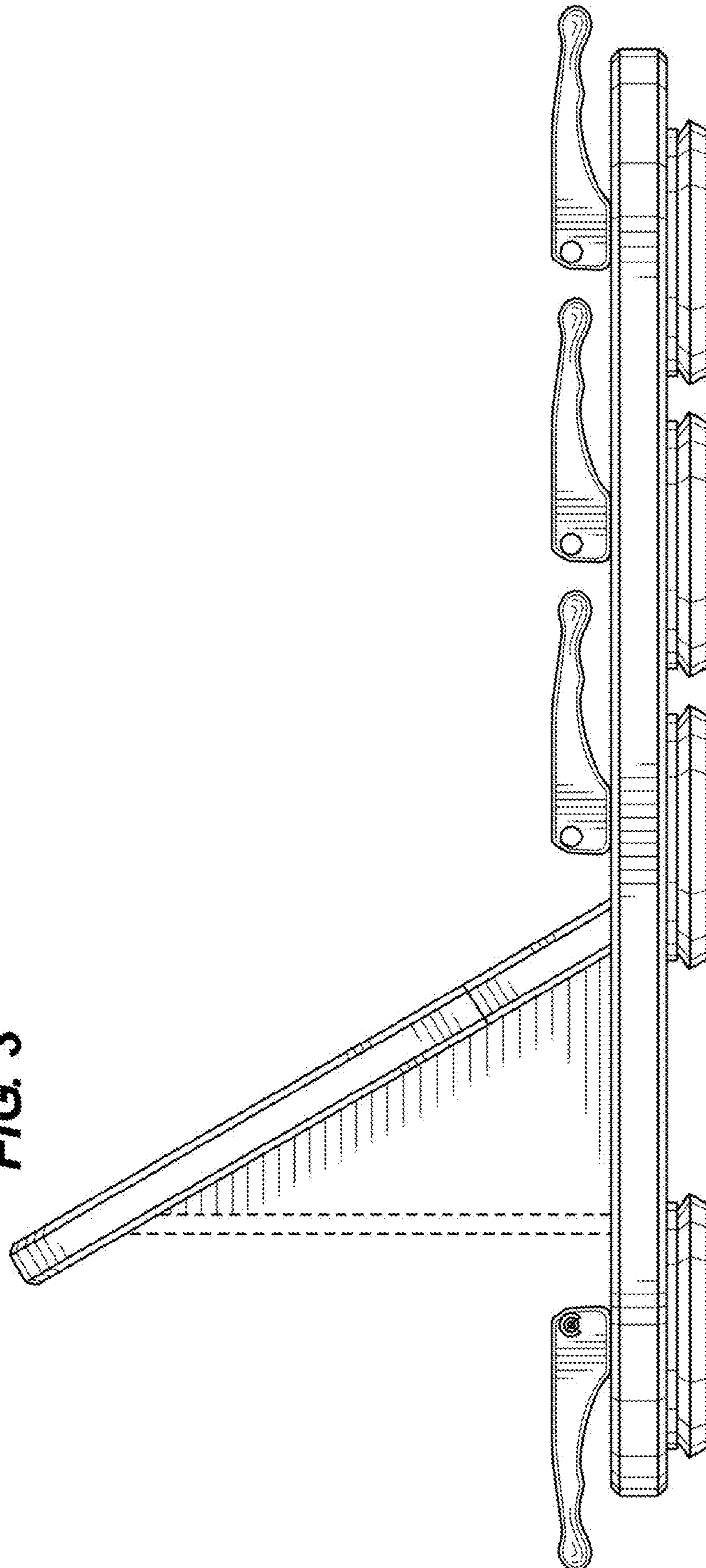


FIG. 3



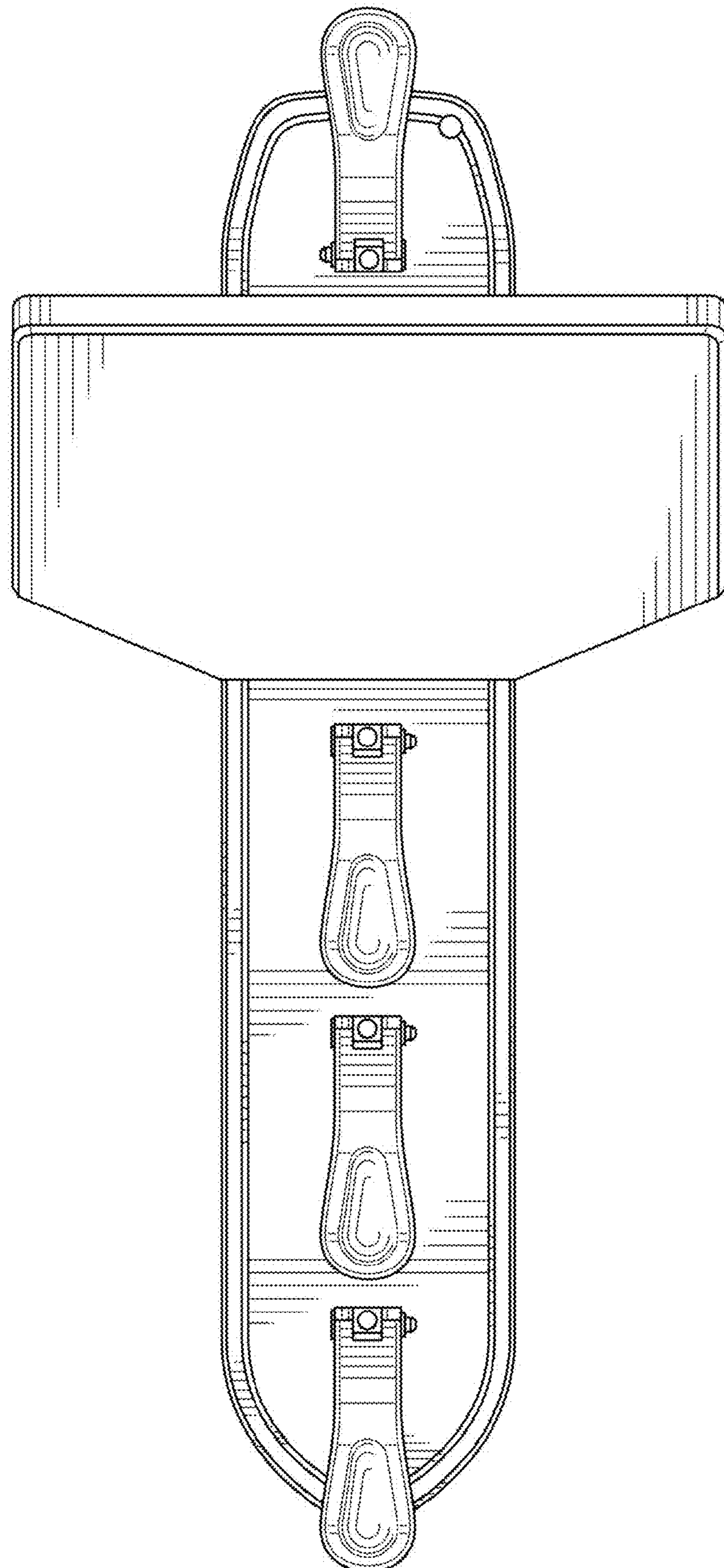


FIG. 4

FIG. 5

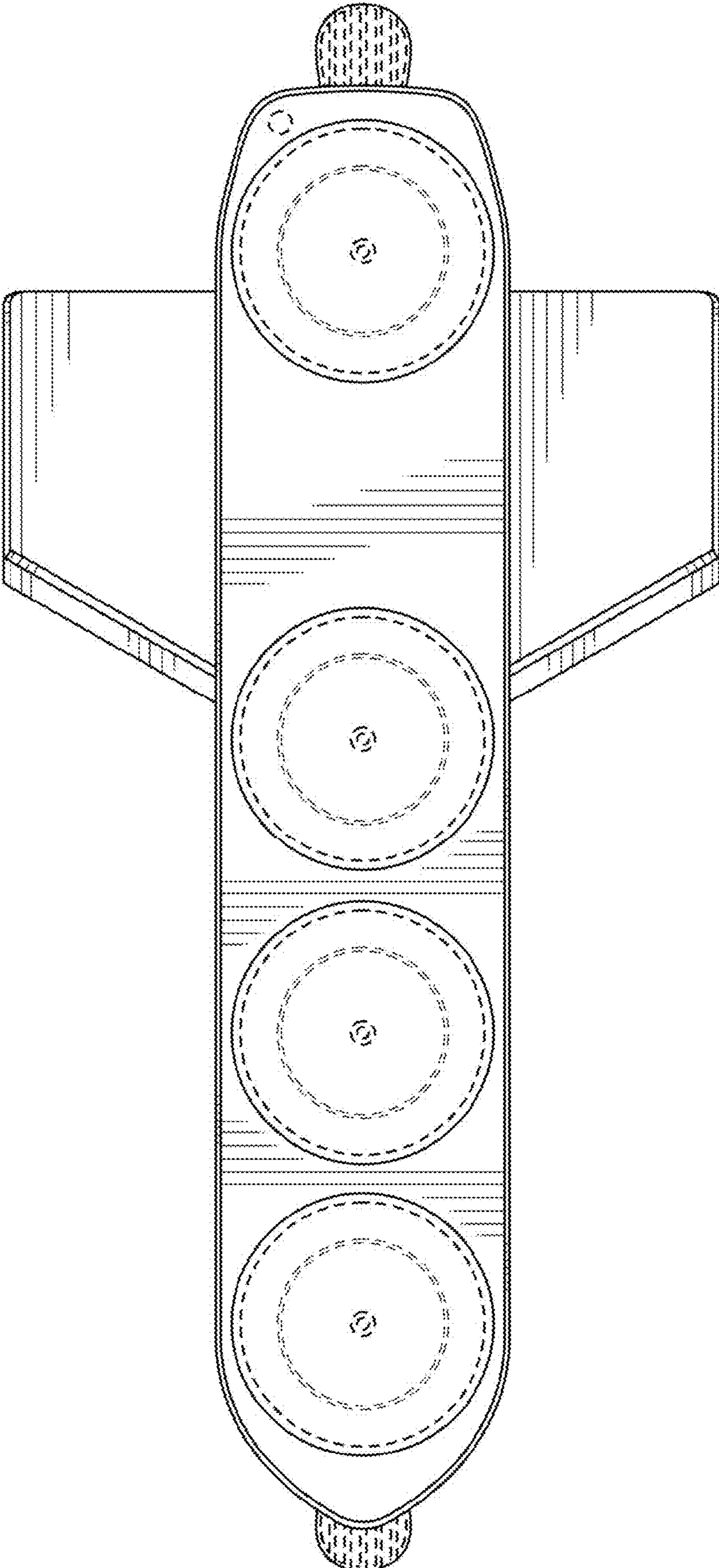


FIG. 7

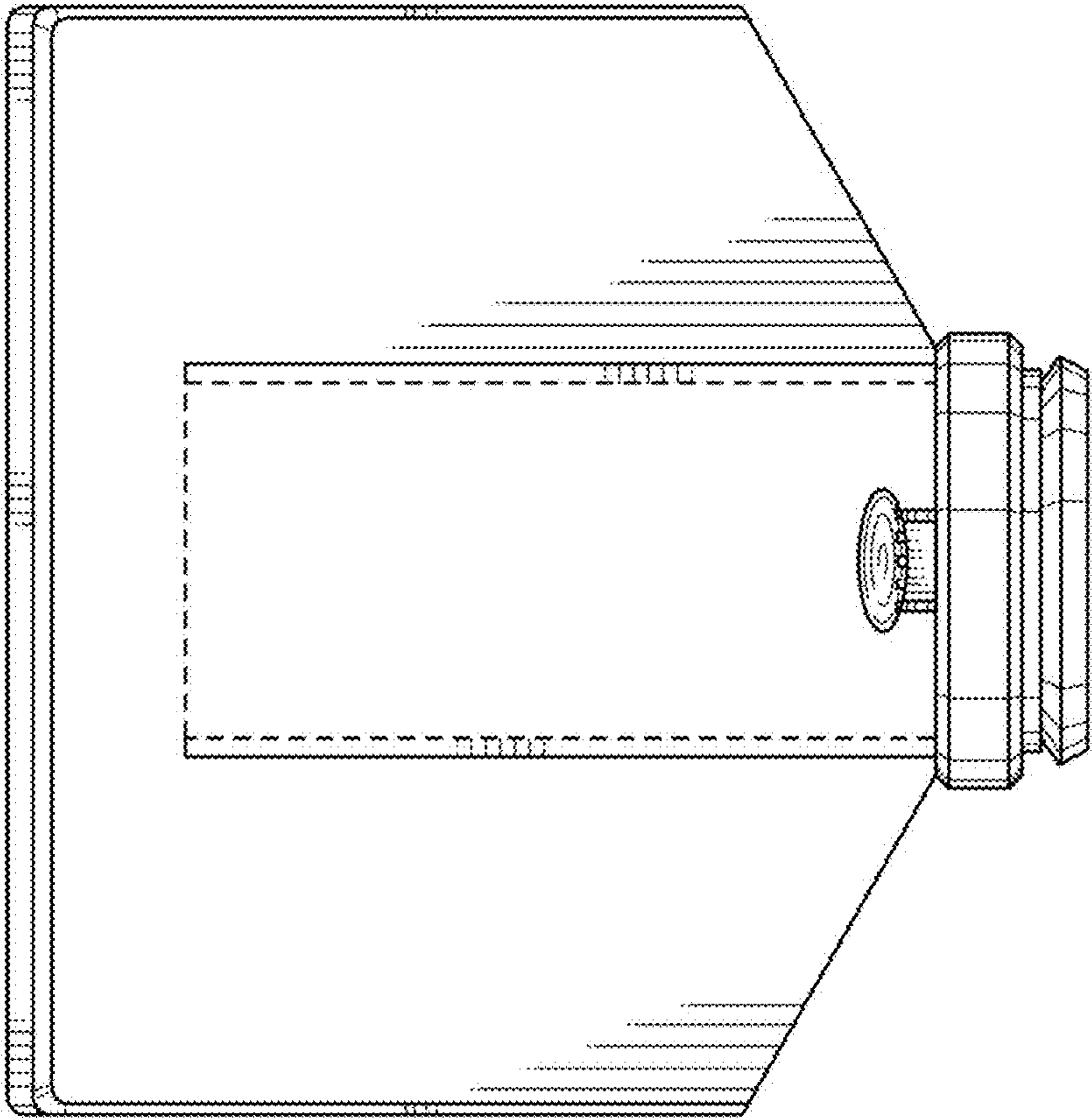


FIG. 6

