



US00D953959S

(12) **United States Design Patent**
Huang

(10) **Patent No.:** **US D953,959 S**

(45) **Date of Patent:** **** Jun. 7, 2022**

(54) **CAR DOOR STEP**

(71) Applicant: **SHENZHEN LIKEXIN TECHNOLOGY CO., LTD.**, Shenzhen (CN)

(72) Inventor: **Wenbiao Huang**, Miluo (CN)

(73) Assignee: **SHENZHEN LIKEXIN TECHNOLOGY CO., LTD.**, Shenzhen (CN)

(**) Term: **15 Years**

(21) Appl. No.: **29/784,315**

(22) Filed: **May 19, 2021**

(51) **LOC (13) Cl.** **12-16**

(52) **U.S. Cl.**
USPC **D12/203**

(58) **Field of Classification Search**
USPC D12/203, 125, 162, 114, 174; D25/62, D25/65; D17/22; D21/685, 687, 694
CPC .. B60R 3/002; B60R 3/02; B60R 3/00; B60R 3/005; B60R 3/007
See application file for complete search history.

(56) **References Cited**

U.S. PATENT DOCUMENTS

D276,716 S	*	12/1984	Dignan	D12/203
D293,667 S	*	1/1988	Weiler	D12/203
D296,431 S	*	6/1988	Yont	D12/203
D315,134 S	*	3/1991	Springer	D12/203
D316,394 S	*	4/1991	Carr	D12/203
D360,441 S	*	7/1995	Beyer	D12/125
D381,948 S	*	8/1997	Schult	D12/203
D445,076 S	*	7/2001	Weinerman	D12/203
D449,264 S	*	10/2001	Weinerman	D12/203
D488,407 S	*	4/2004	Wright	D12/125
D498,441 S	*	11/2004	Catanescu	D12/114
D505,900 S	*	6/2005	Oravec, III	D12/203
D506,171 S	*	6/2005	Oravec, III	D12/203

D626,901 S	*	11/2010	Fallot	D12/174
D629,342 S	*	12/2010	Fallot	D12/174
D645,280 S		9/2011	Huffman et al.		
D646,342 S	*	10/2011	John	D21/687
D683,291 S	*	5/2013	Broadstreet	D12/400
D697,839 S	*	1/2014	Le	D12/162
D714,702 S	*	10/2014	Higgs	D12/203
D796,405 S	*	9/2017	Atkins	D12/203
D806,625 S	*	1/2018	Hoffman	D12/203
D825,401 S	*	8/2018	Stickles	D12/162

(Continued)

OTHER PUBLICATIONS

TOOENJOY Universal Fit Car Door Step, Foldable Roof Rack Door Step Up on Door Latch, Supports Both Feet, Easy Access to Rooftop for Most Car, SUV, Truck, Max Load 400 lbs (Orange); Dec. 24, 2020; <https://www.amazon.com/TOOENJOY-Universal-Foldable-Supports-Rooftop/dp/B08X6PR2NN>; 7Pgs. (Year: 2020).*

Primary Examiner — Michelle E. Wilson

Assistant Examiner — Clese Moore, Jr.

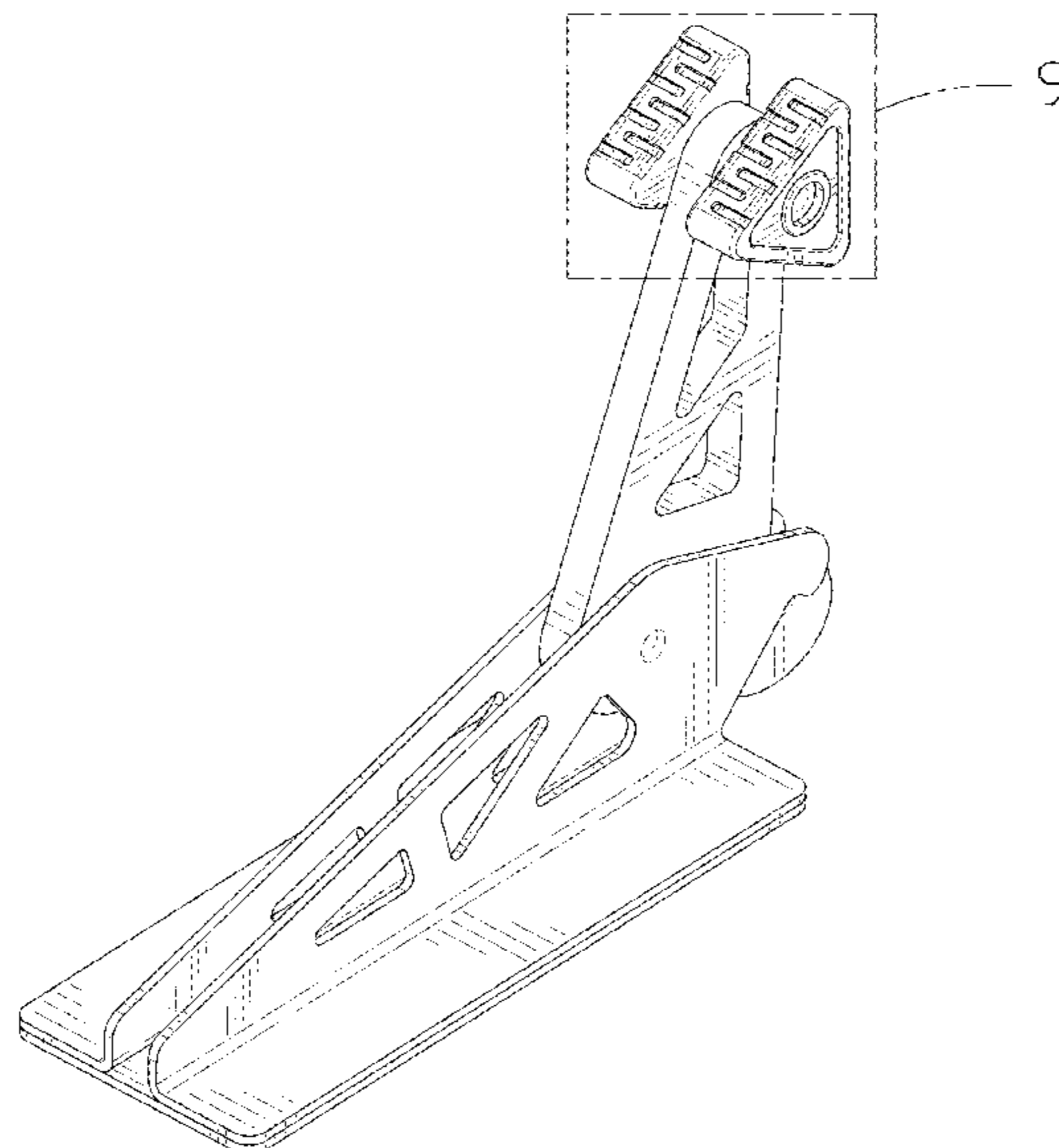
(57) **CLAIM**

The ornamental design for a car door step, as shown and described.

DESCRIPTION

FIG. 1 is a perspective view of a car door step showing my new design;
FIG. 2 is another perspective view thereof;
FIG. 3 is a front elevational view thereof;
FIG. 4 is a rear elevational view thereof;
FIG. 5 is a left side elevational view thereof;
FIG. 6 is a right side elevational view thereof;
FIG. 7 is a top plan view thereof;
FIG. 8 is a bottom plan view thereof; and,
FIG. 9 is an enlarged view of portion 9 shown in FIG. 1.
The broken lines in the drawings depict portions of the car door step that form no part of the claimed design.

1 Claim, 9 Drawing Sheets



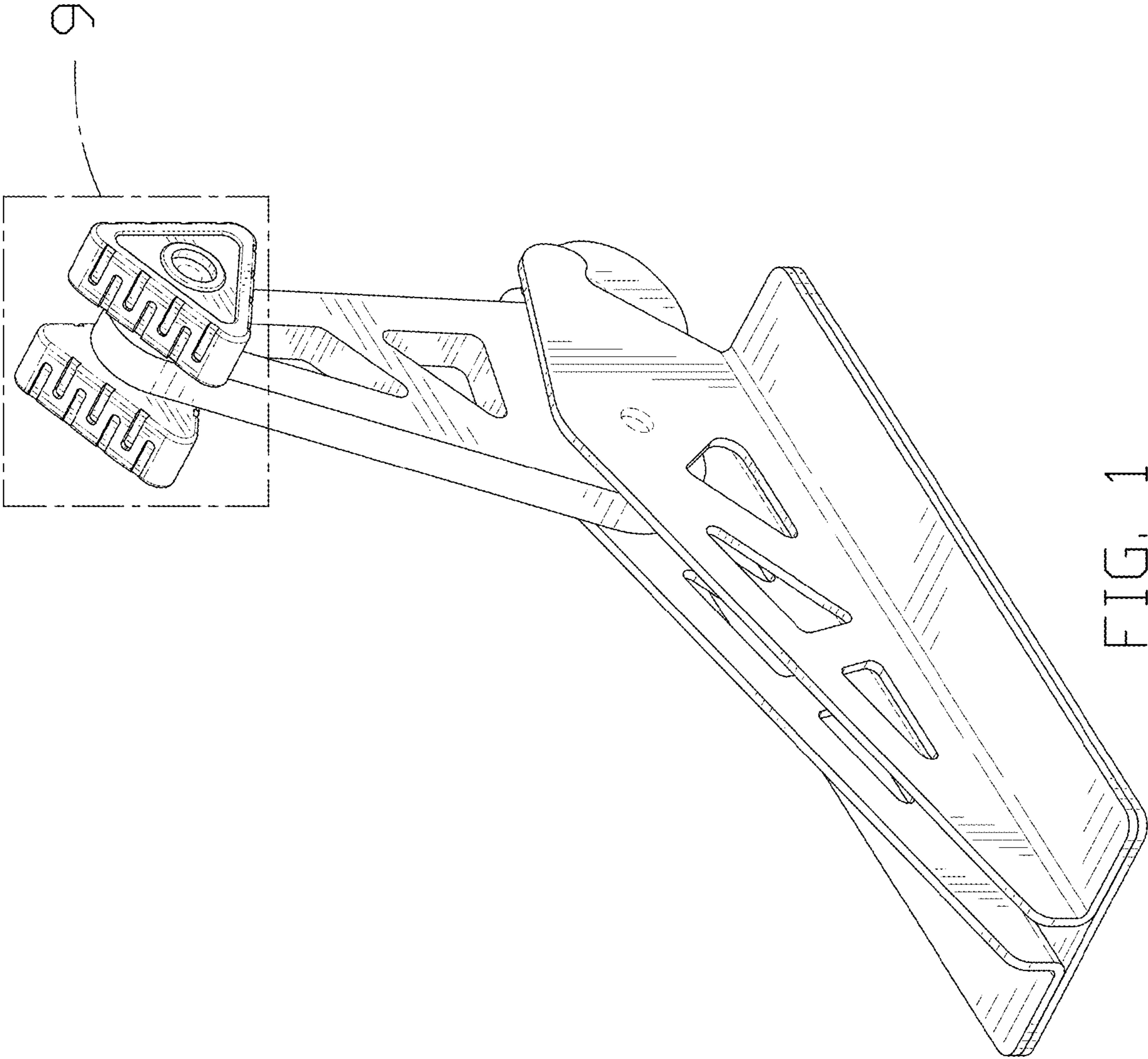
(56)

References Cited

U.S. PATENT DOCUMENTS

D851,544 S *	6/2019	Stickles	D12/162
D862,340 S *	10/2019	Le	D12/203
10,562,455 B2 *	2/2020	Mao	B60R 3/005
D885,283 S	5/2020	Moctezuma	
2015/0274053 A1 *	10/2015	Carlioz	B64D 11/06 297/423.26

* cited by examiner



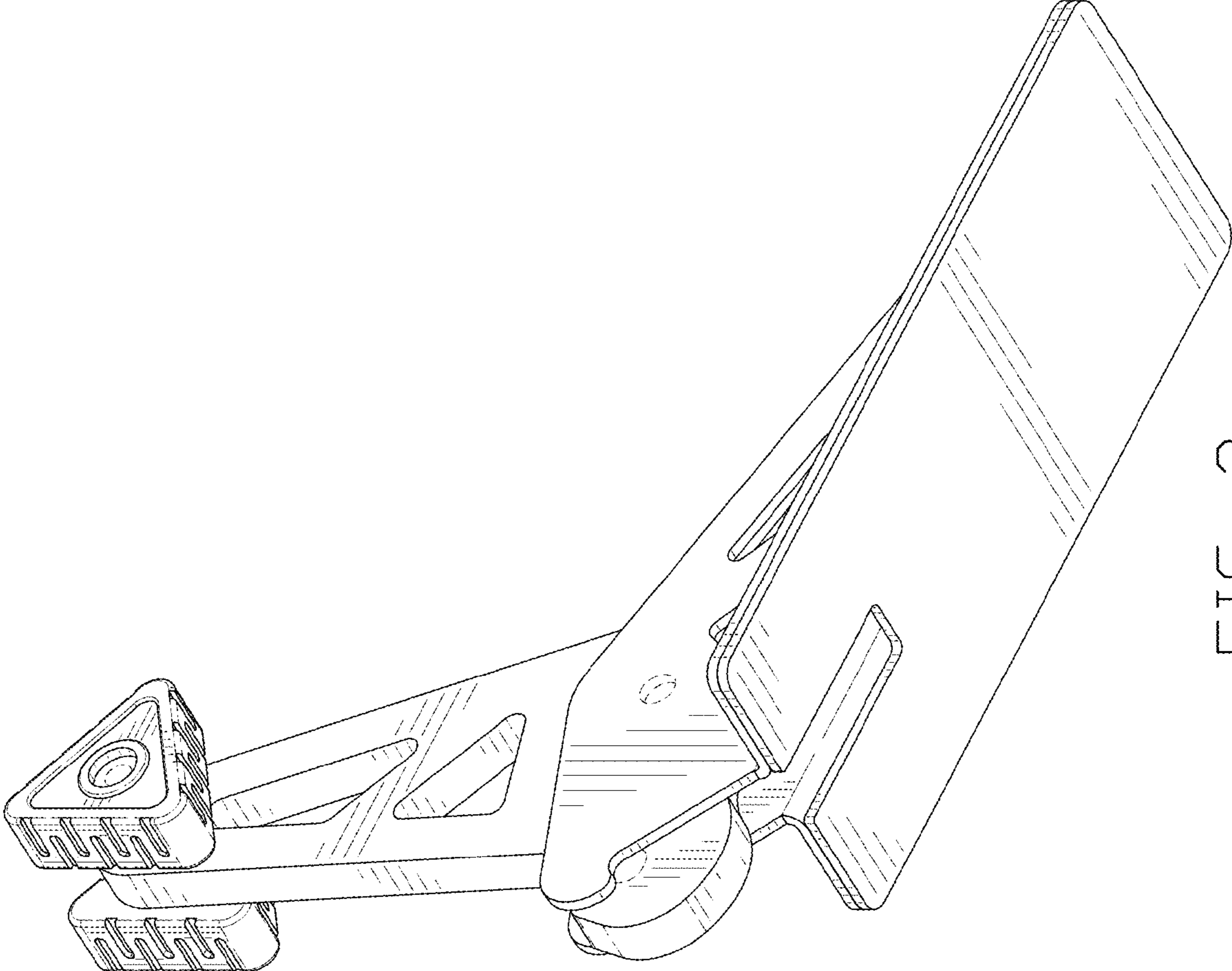


FIG. 2

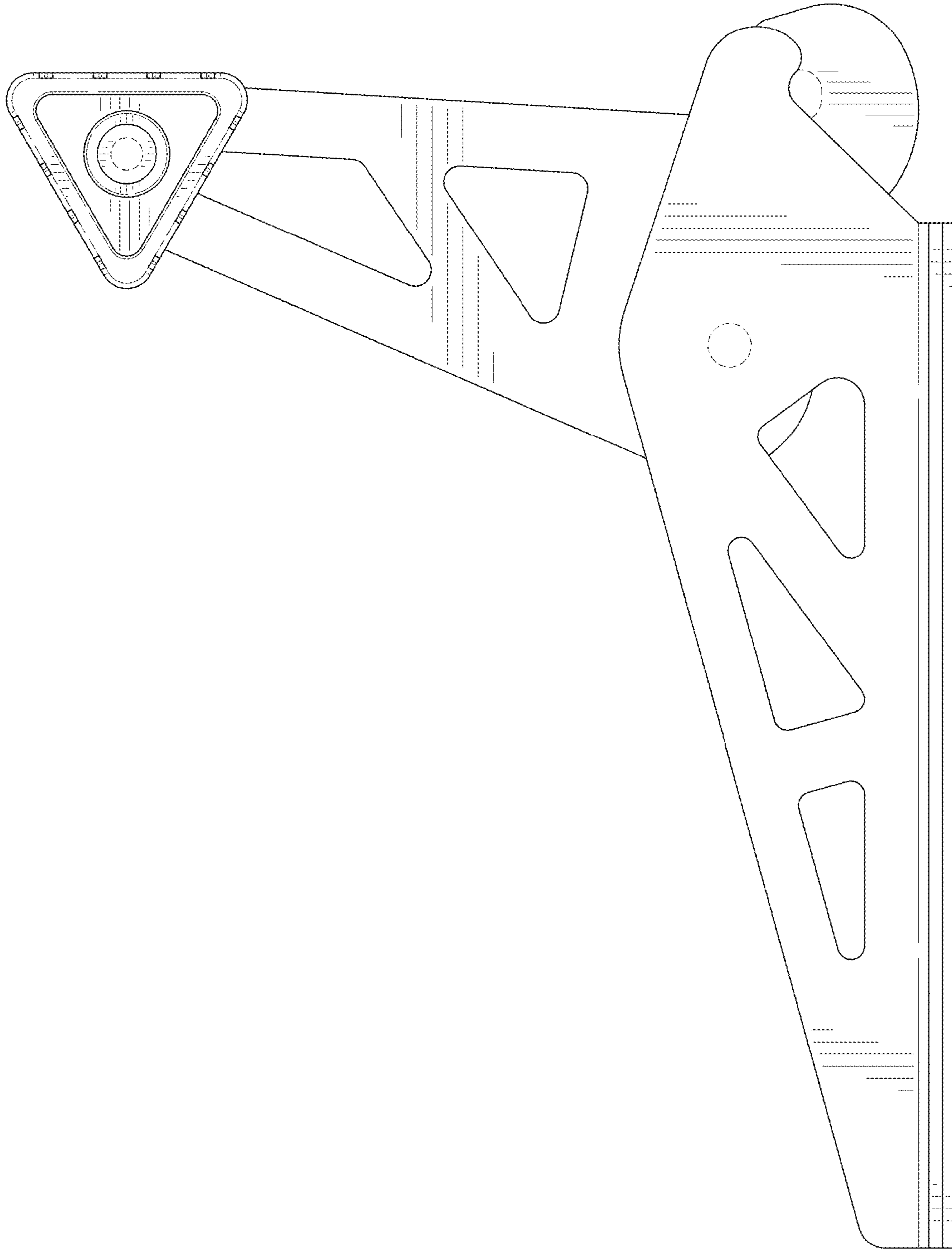


FIG. 3

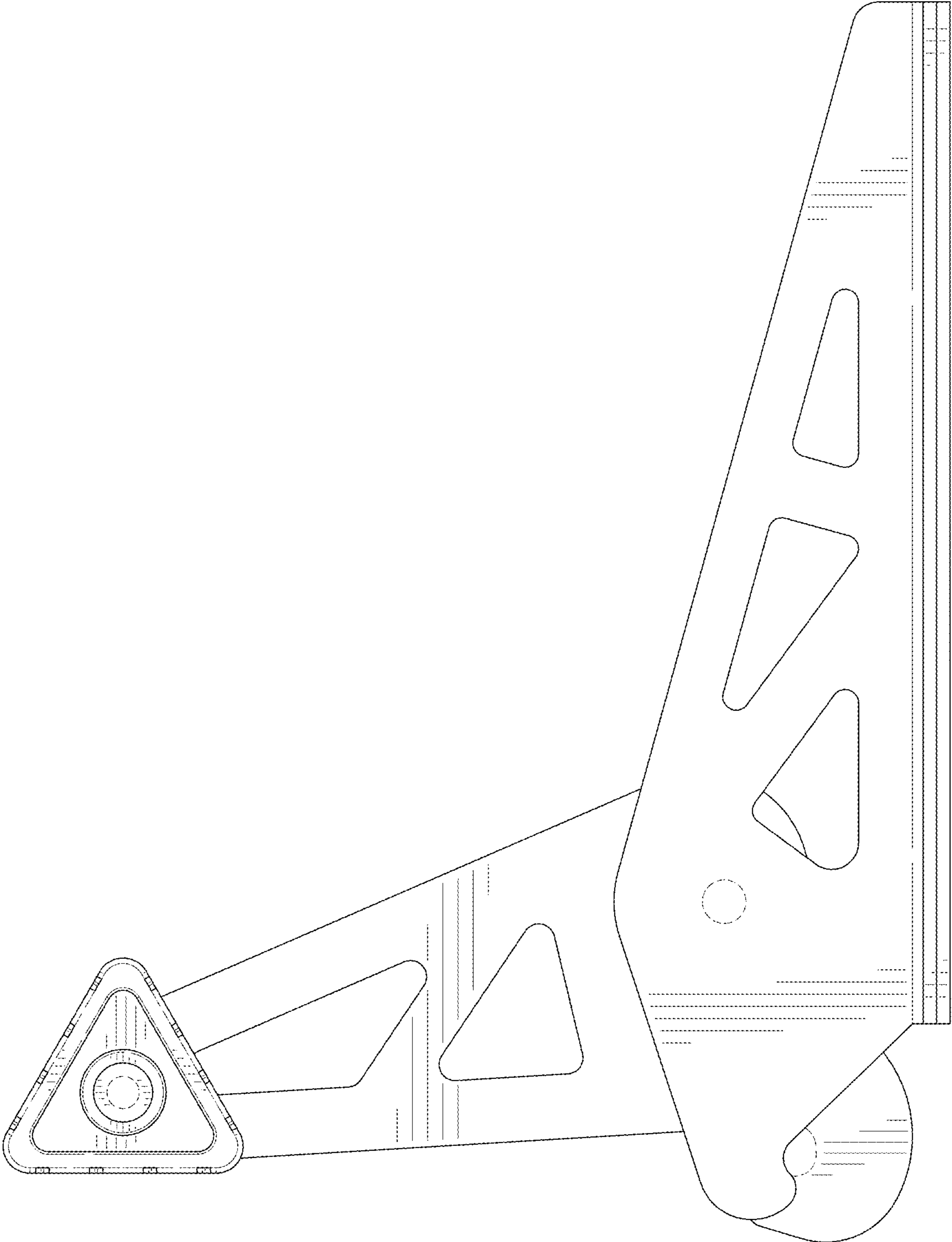


FIG. 4

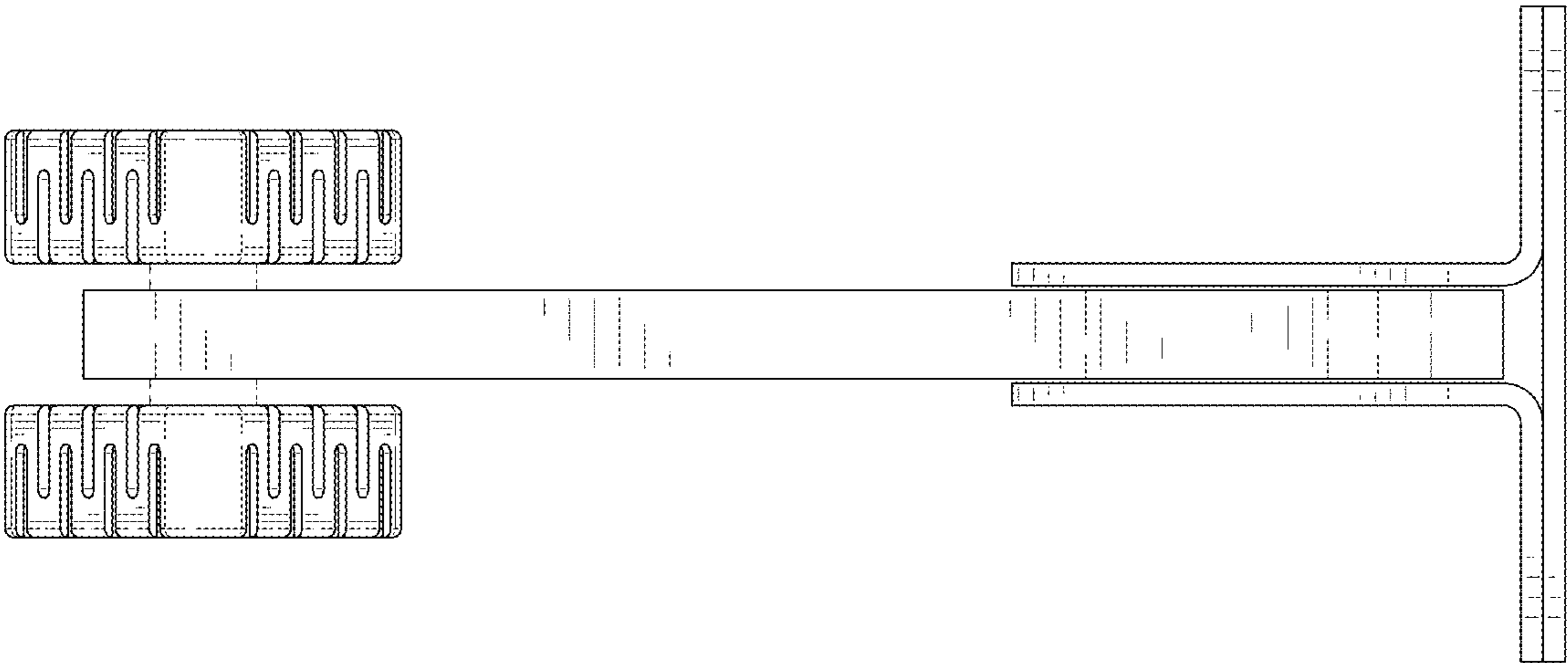


FIG. 5

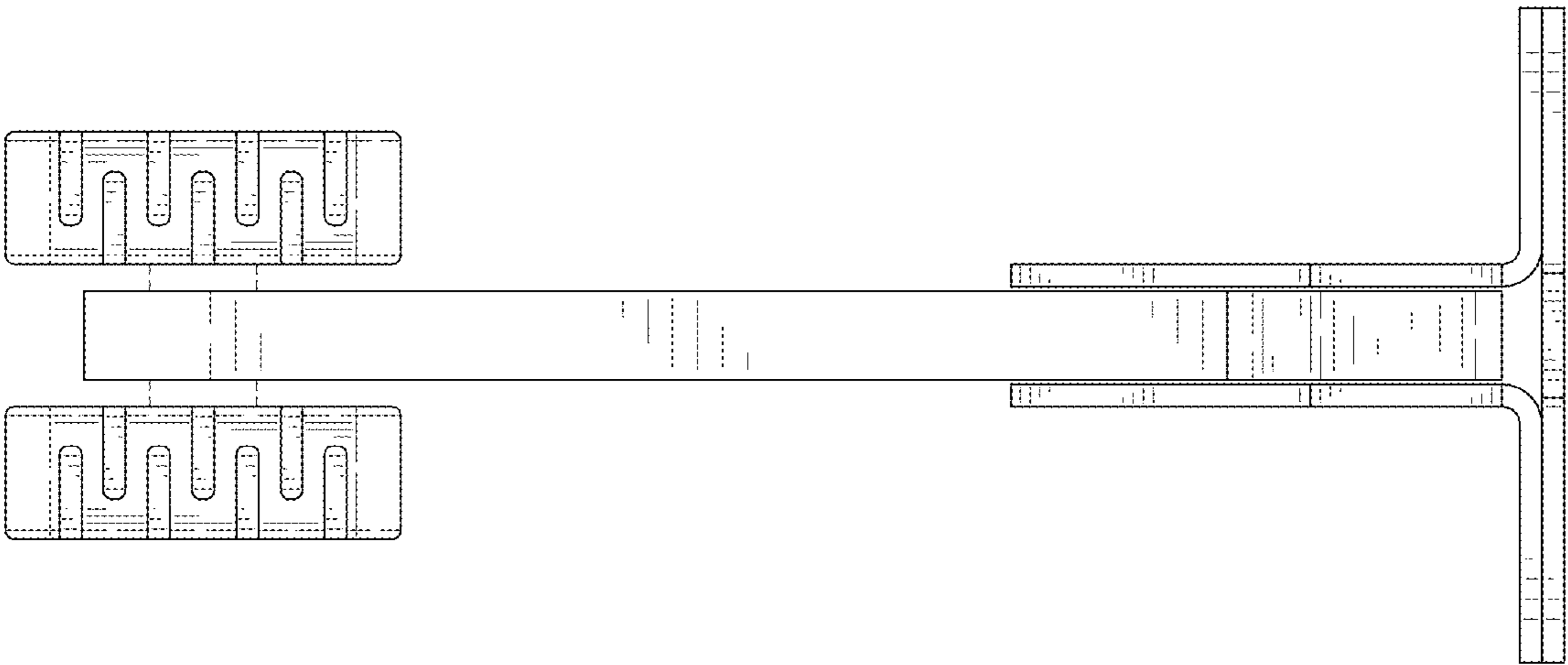


FIG. 6

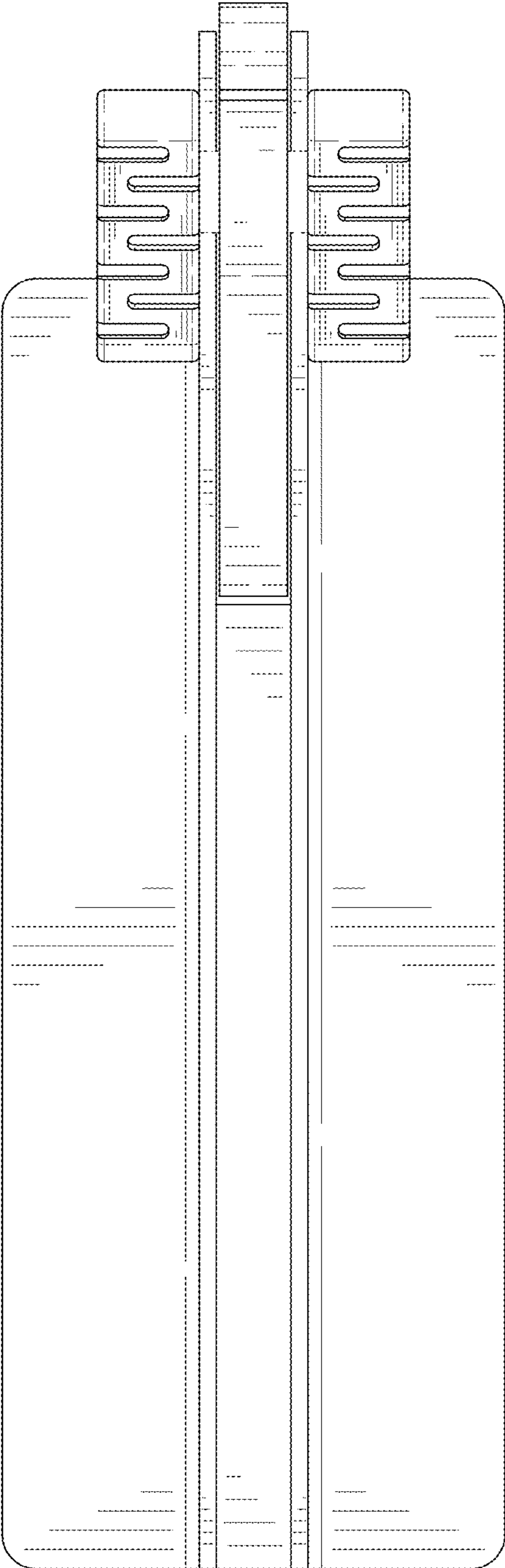


FIG. 7

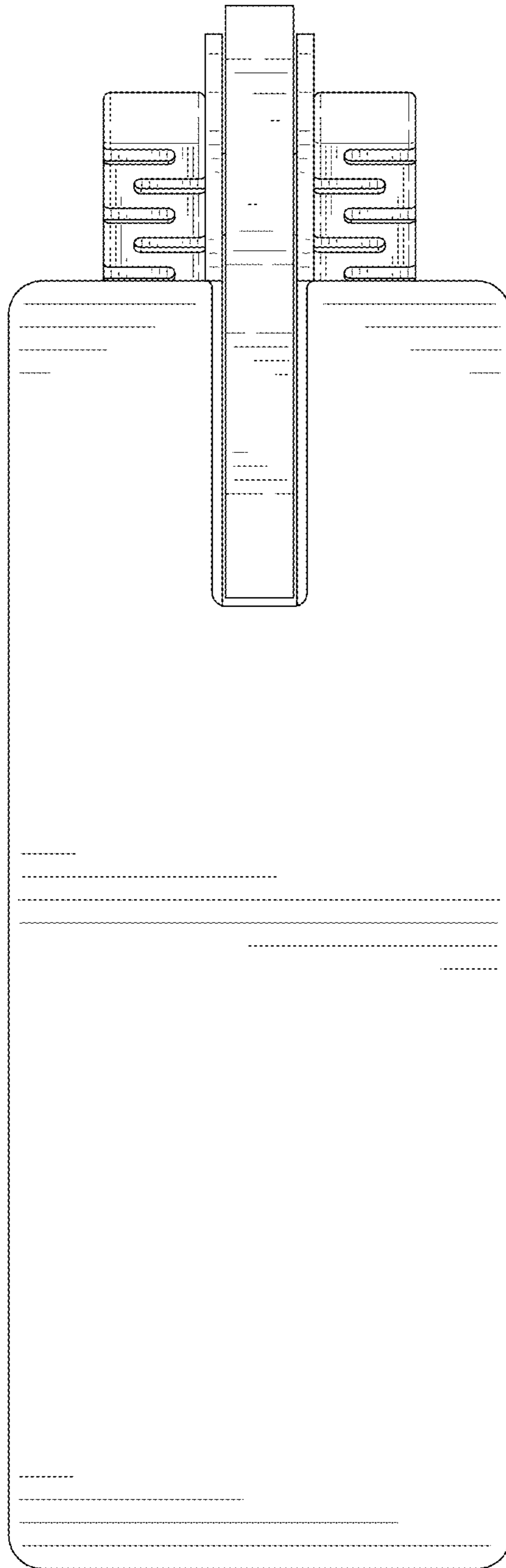


FIG. 8

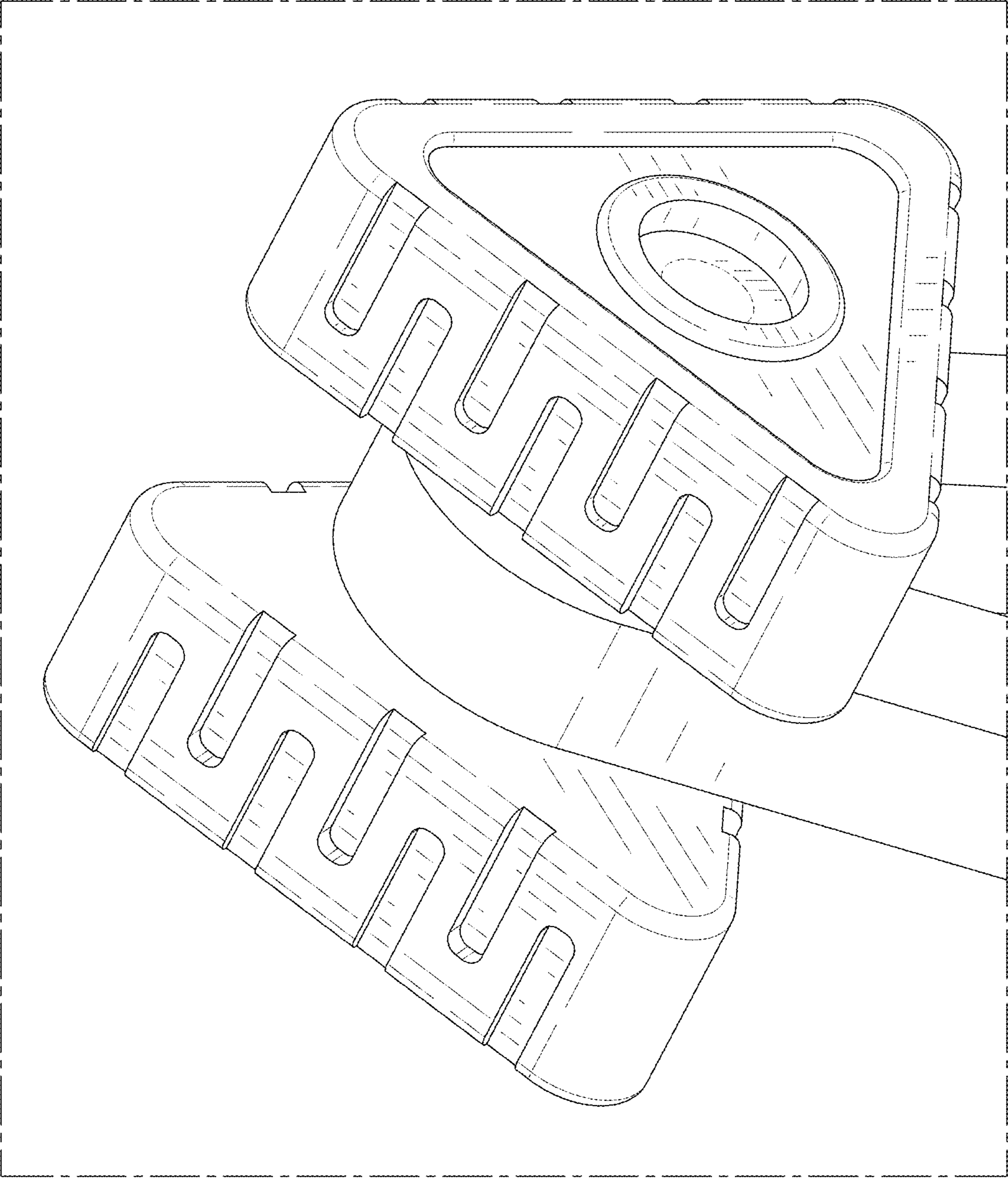


FIG. 9