



US00D953958S

(12) **United States Design Patent** (10) **Patent No.:** **US D953,958 S**  
**Sprowl et al.** (45) **Date of Patent:** **\*\* Jun. 7, 2022**

(54) **VEHICLE SIDE NERF BAR**

- (71) Applicant: **TRAXXAS LP**, McKinney, TX (US)
- (72) Inventors: **Jory Sprowl**, Honey Grove, TX (US);  
**Adam Cole Ewing**, McKinney, TX (US); **Otto Karl Allmendinger**,  
Rowlett, TX (US)
- (73) Assignee: **TRAXXAS, L.P.**, McKinney, TX (US)
- (\*\*) Term: **15 Years**
- (21) Appl. No.: **29/705,171**
- (22) Filed: **Sep. 10, 2019**
- (51) **LOC (13) Cl.** ..... **12-16**
- (52) **U.S. Cl.**  
USPC ..... **D12/203**
- (58) **Field of Classification Search**  
USPC ..... D12/203, 98, 314, 162, 190, 196  
CPC .. B60R 3/02; B60R 3/00; B60R 3/002; B60R  
3/005; B60R 3/007  
See application file for complete search history.

(56) **References Cited**

**U.S. PATENT DOCUMENTS**

D273,780 S *	5/1984	Luthe .....	D12/190
D285,060 S *	8/1986	Luthe .....	D12/190
D297,230 S *	8/1988	Huff .....	D12/203
D304,820 S *	11/1989	Rasmussen .....	D12/190
D349,679 S *	8/1994	Waddington .....	D12/203
D351,128 S *	10/1994	Waddington .....	D12/203
D436,336 S *	1/2001	Sadr .....	D12/203
6,168,226 B1	1/2001	Wycech	
D473,178 S *	4/2003	Schumacher .....	D12/203
D513,398 S *	1/2006	Kozak .....	D12/203
D535,928 S *	1/2007	Crandall .....	D12/203
D559,755 S *	1/2008	Ito .....	D12/203

(Continued)

**OTHER PUBLICATIONS**

New Traxxas Maxx Nerf Bars Chassis (2) 8923, Earliest Available Date Nov. 11, 2019 [Online], [Site Visited Oct. 20, 2020] Available from Internet, URL: <<https://www.ebay.com/itm/New-Traxxas-Maxx-4S-Nerf-Bars-Chassis-2-8923-/372831171389>> (Year: 2019).

(Continued)

*Primary Examiner* — Michelle E. Wilson

*Assistant Examiner* — Clese Moore, Jr.

(74) *Attorney, Agent, or Firm* — Daryl R. Wright; Greg Carr

(57) **CLAIM**

We claim the ornamental design for a vehicle side nerf bar, as shown and described.

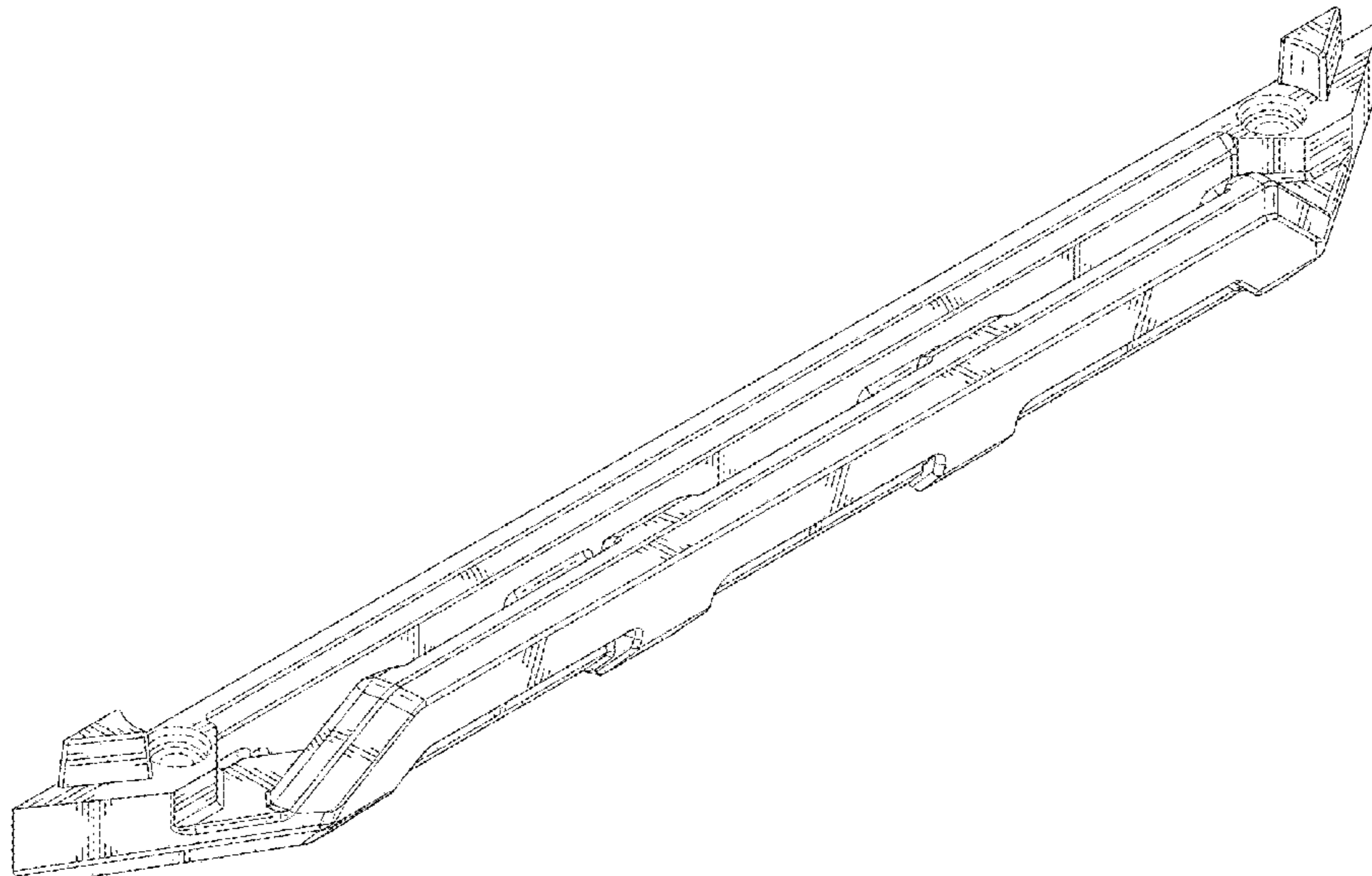
**DESCRIPTION**

FIG. 1 is an upper, left, front perspective view of a vehicle side nerf bar;  
FIG. 2 is left side elevation view thereof;  
FIG. 3 is a right side elevation view thereof;  
FIG. 4 is a rear elevation view thereof;  
FIG. 5 is a front elevation view thereof;  
FIG. 6 is a top plan view thereof;  
FIG. 7 is a bottom plan view thereof;  
FIG. 8 is a lower, right, rear perspective view thereof;  
FIG. 9 is an upper, right, rear perspective view thereof; and,  
FIG. 10 is an upper, left, front perspective environmental use view of the vehicle side nerf bar.

In the drawings, the broken line showing of features of a vehicle side nerf bar illustrate portions of the vehicle side nerf bar that form no part of the claimed design; whereas, the broken line showing of the environmental use view depicts environmental subject matter and is provided for the purposes of illustrating environmental use structure and context and also forms no part of the claimed design.

In the drawings the left side of the vehicle side nerf bar is being shown, the right side is a mirror image thereof.

**1 Claim, 6 Drawing Sheets**



(56)

References Cited

U.S. PATENT DOCUMENTS

D568,221 S \* 5/2008 Cord ..... D12/203  
 D588,514 S \* 3/2009 Kudelko ..... D12/203  
 D596,097 S \* 7/2009 Huang-Tsai ..... D12/203  
 D618,148 S \* 6/2010 Hoppert ..... D12/203  
 D676,368 S \* 2/2013 Cover ..... D12/203  
 D737,188 S \* 8/2015 Perkins ..... D12/203  
 D779,392 S 2/2017 Hare  
 D780,643 S 3/2017 Hare  
 D789,857 S \* 6/2017 Hare ..... D12/203  
 D789,858 S \* 6/2017 Hare ..... D12/203  
 D805,986 S \* 12/2017 Chi ..... D12/203  
 D807,804 S \* 1/2018 Huang ..... D12/203  
 D817,838 S \* 5/2018 Dionisopoulos ..... D12/203  
 D817,839 S \* 5/2018 Rolfs ..... D12/203  
 D832,168 S 10/2018 Platto et al.  
 10,099,621 B1 10/2018 Jensen et al.  
 D833,940 S \* 11/2018 DiCanzio ..... D12/203  
 D838,643 S \* 1/2019 Keith ..... D12/203

D847,716 S \* 5/2019 Kim ..... D12/203  
 D855,508 S 8/2019 Wilkins et al.  
 D864,070 S 10/2019 Keith et al.  
 D867,474 S 11/2019 Ewing et al.  
 D876,996 S 3/2020 Hagler et al.  
 D887,920 S 6/2020 Gillam et al.  
 D891,313 S 7/2020 Ninov et al.  
 D897,248 S 9/2020 Ninov et al.  
 2003/0178805 A1 9/2003 Elrod  
 2016/0059811 A1 3/2016 Vermeys et al.  
 2019/0225157 A1 7/2019 Lanini et al.  
 2020/0022225 A1 1/2020 Dellock et al.

OTHER PUBLICATIONS

Traxxas X-Maxx Chassis Nerf Bars (pair), Earliest Available Date Jan. 5, 2016 [Online], [Site Visited Oct. 20, 2020] Available from Internet, URL: <<https://www.amazon.com/Traxxas-X-Maxx-Chassis-Nerf-Bars/dp/B01A6YCYQC>> (Year: 2016).

\* cited by examiner

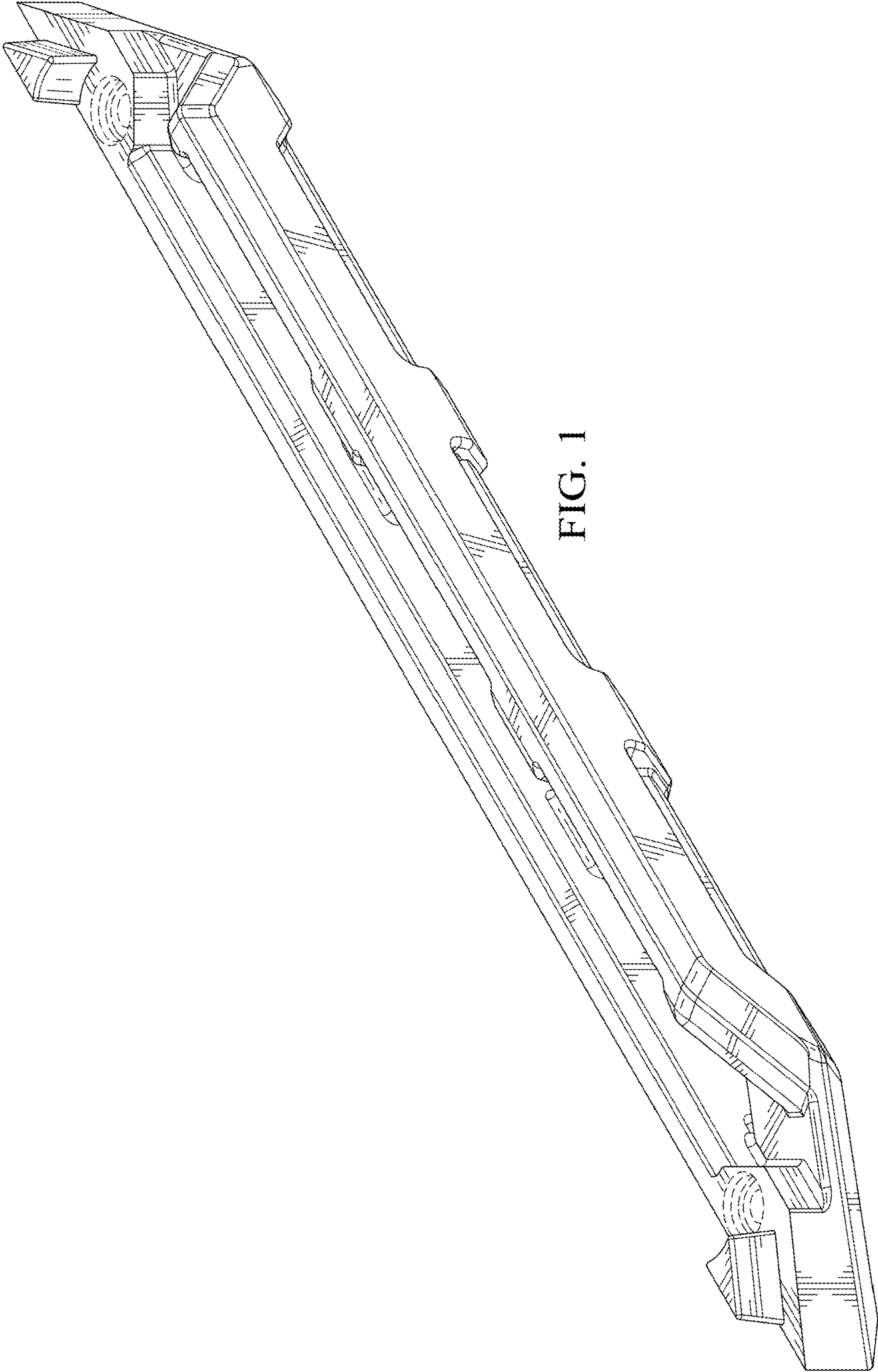


FIG. 1

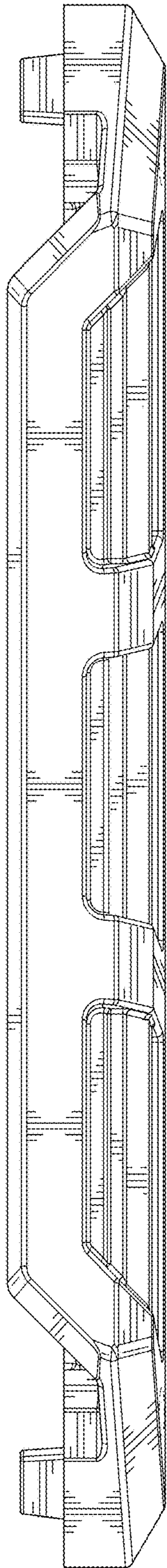


FIG. 2

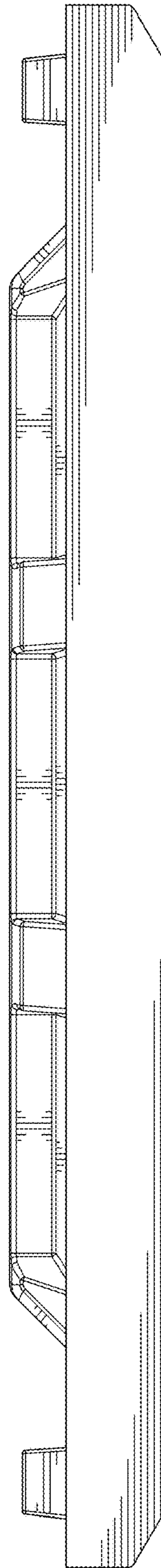


FIG. 3

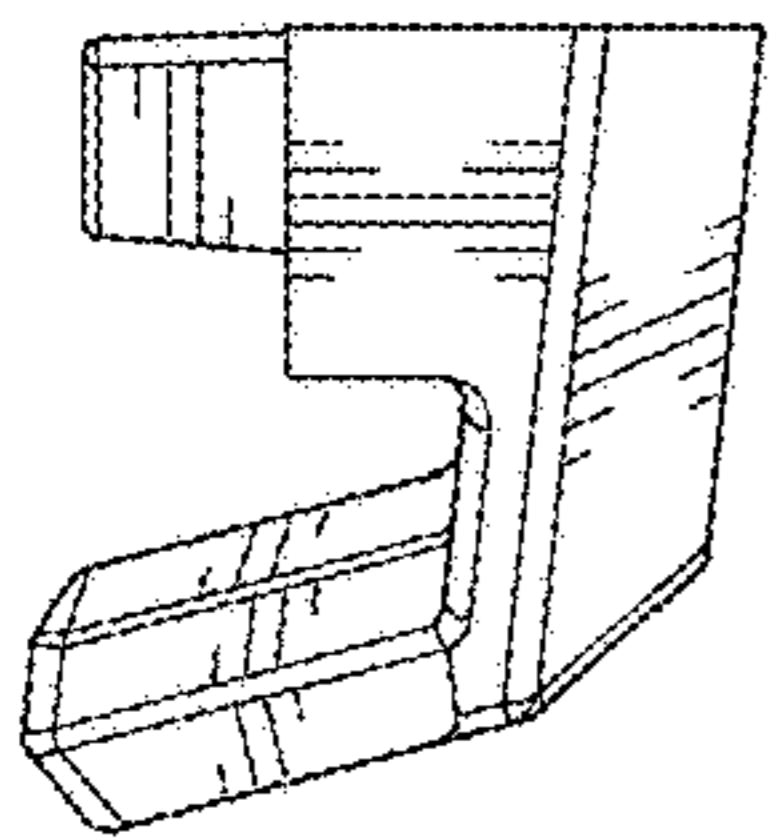


FIG. 4

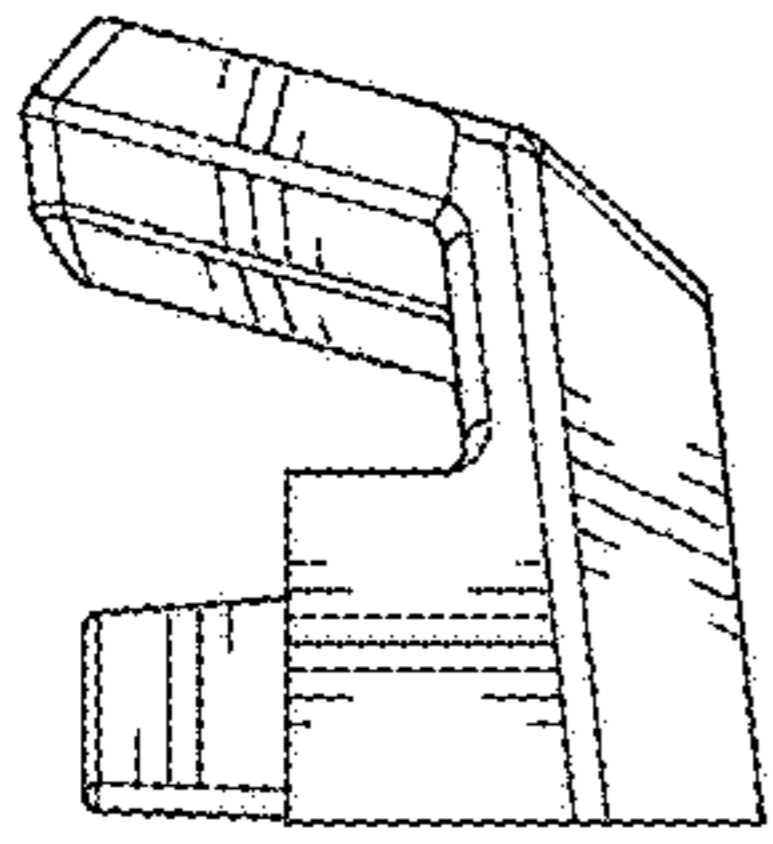


FIG. 5

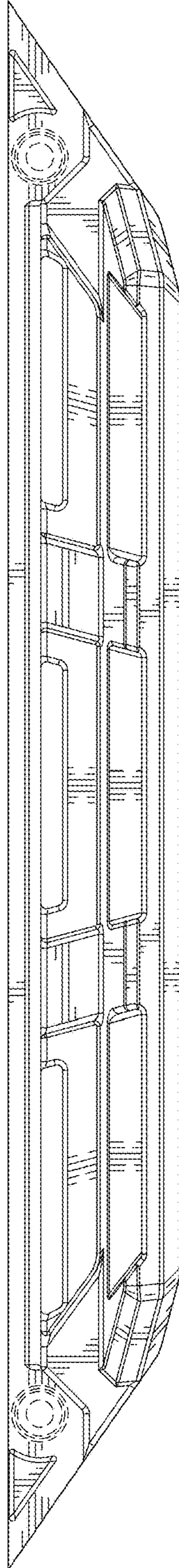


FIG. 6

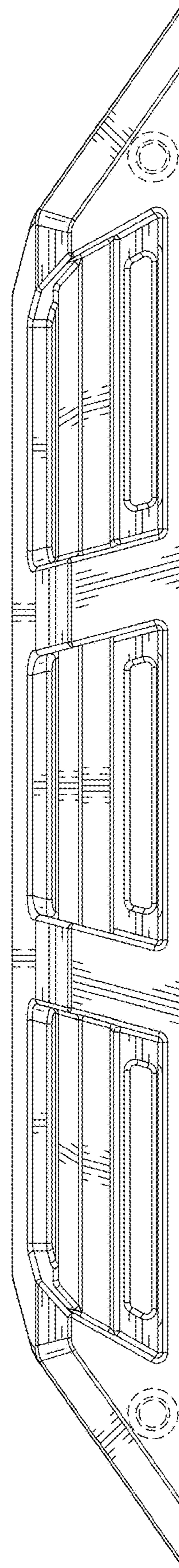


FIG. 7

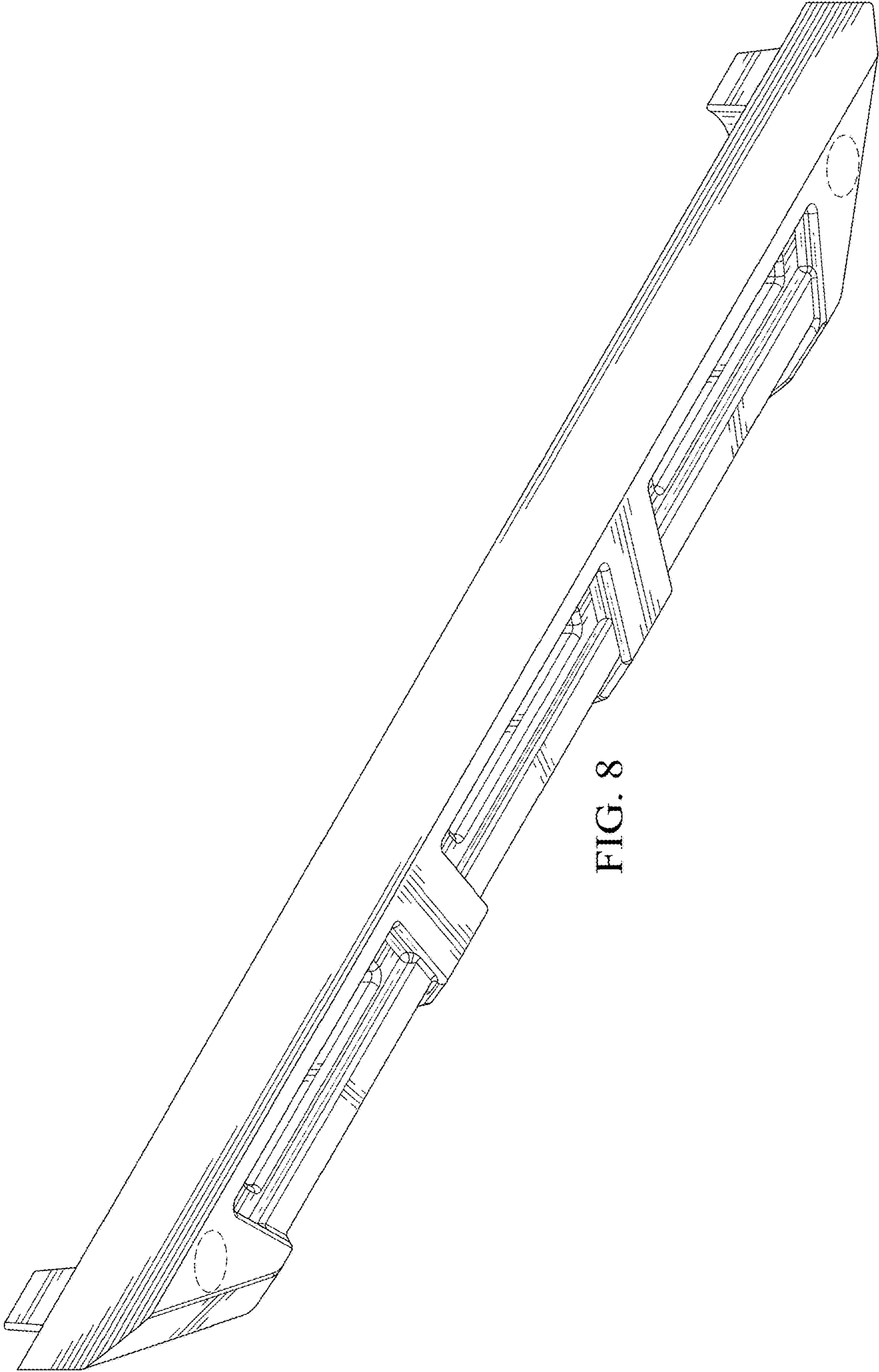


FIG. 8

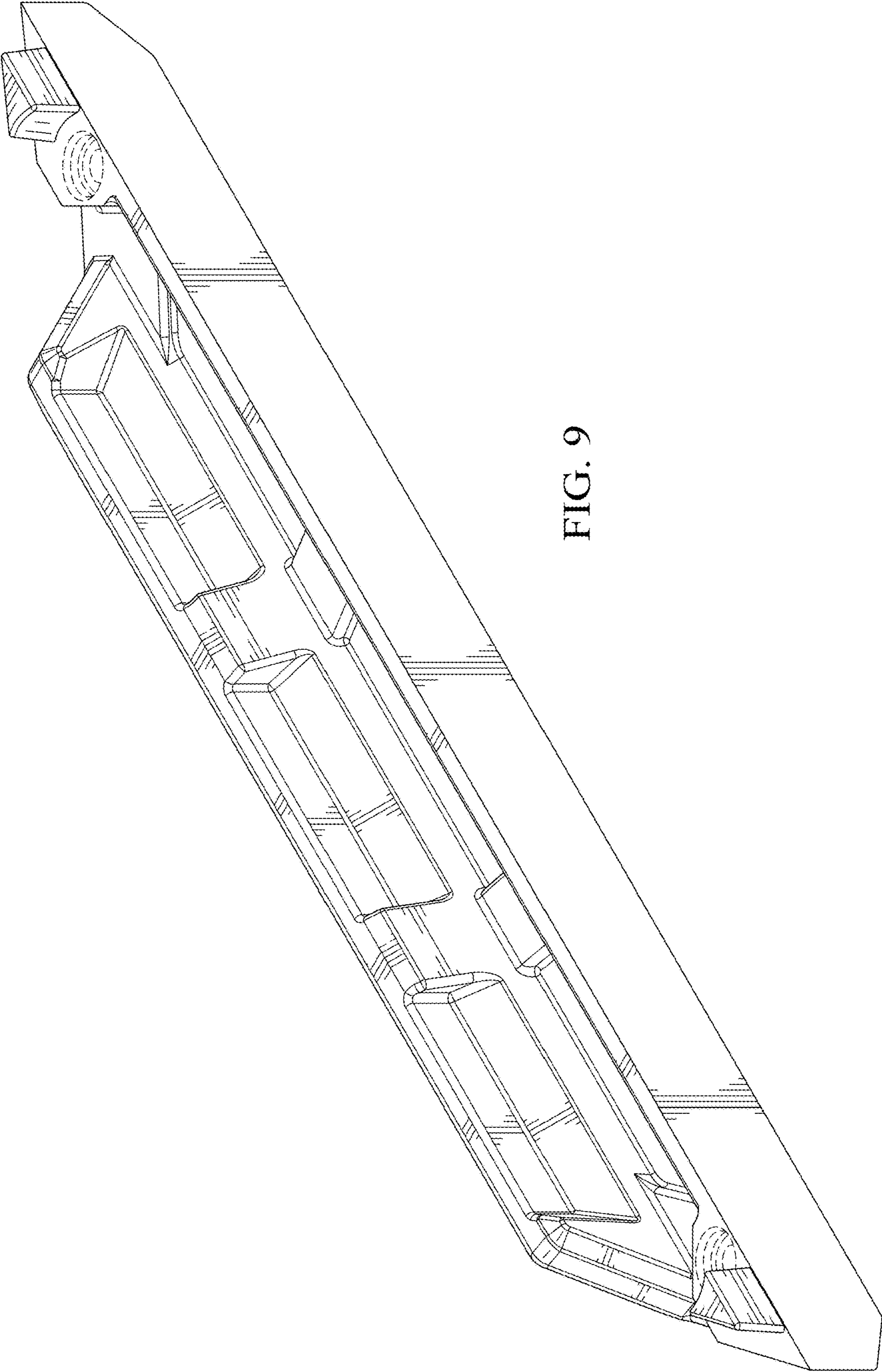


FIG. 9

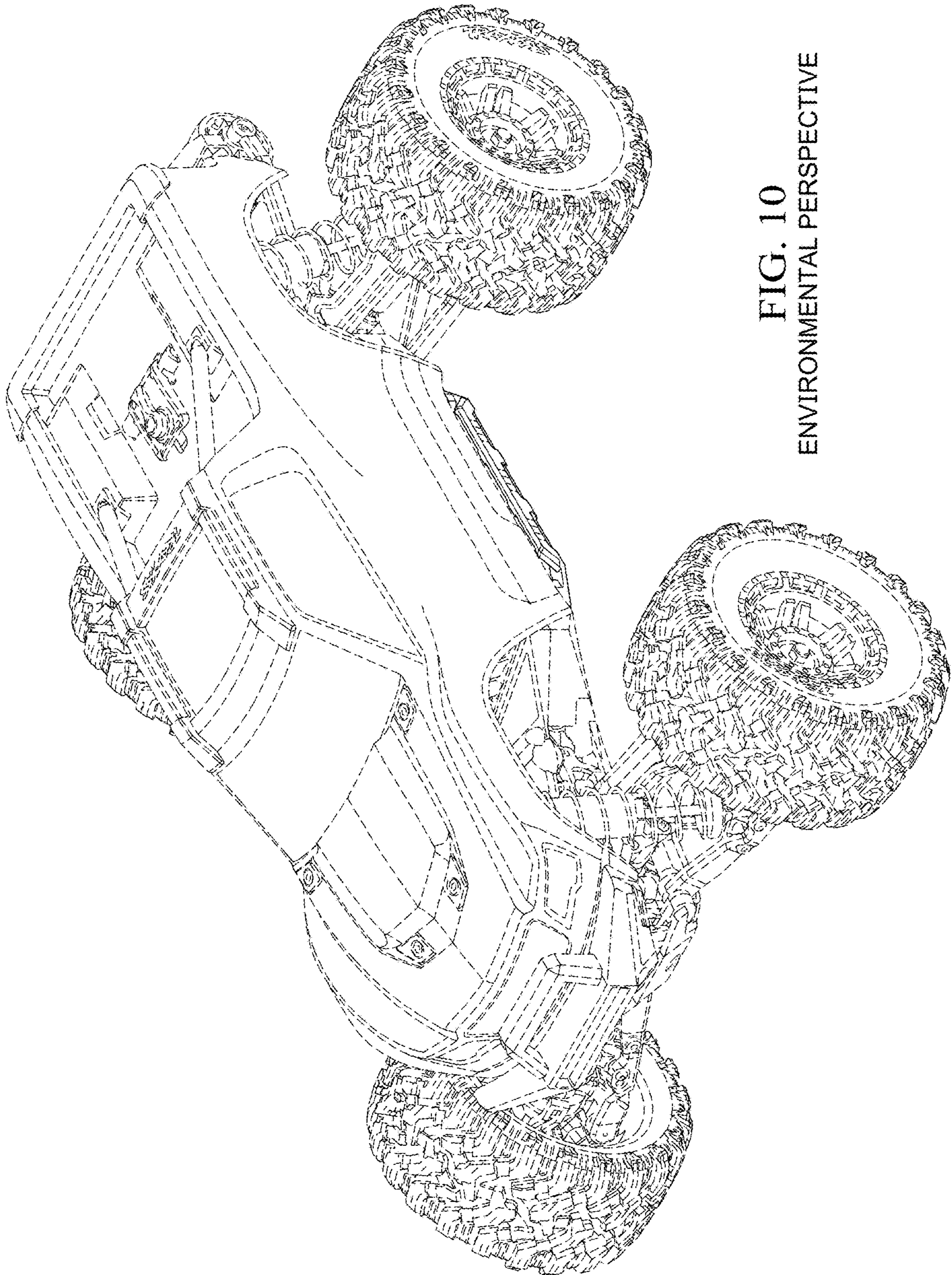


FIG. 10  
ENVIRONMENTAL PERSPECTIVE