



US00D953956S

(12) **United States Design Patent** (10) **Patent No.:** **US D953,956 S**
Levy (45) **Date of Patent:** **** *Jun. 7, 2022**

- (54) **VEHICLE DOOR**
- (71) Applicant: **Volvo Car Corporation**, Gothenburg (SE)
- (72) Inventor: **Todd Levy**, Gothenburg (SE)
- (73) Assignee: **Volvo Car Corporation**, Gothenburg (SE)
- (*) Notice: This patent is subject to a terminal disclaimer.
- (**) Term: **15 Years**
- (21) Appl. No.: **29/745,380**
- (22) Filed: **Aug. 5, 2020**
- (30) **Foreign Application Priority Data**
Feb. 5, 2020 (EM) 007664149-0004
- (51) **LOC (13) Cl.** **12-08**
- (52) **U.S. Cl.**
USPC **D12/195**
- (58) **Field of Classification Search**
USPC D8/302, 303; D10/46, 98, 102, 103;
D12/190, 193, 195, 196, 414; D15/17,
D15/28
CPC B60R 7/04; B60R 7/08; B60J 5/04
See application file for complete search history.

- (56) **References Cited**
U.S. PATENT DOCUMENTS
D351,820 S * 10/1994 Knapp, Jr. D12/190
D386,458 S * 11/1997 Smith D12/167
D547,248 S * 7/2007 Schowalter D12/195
D577,645 S * 9/2008 Wyszogrod D12/195
D595,200 S * 6/2009 Rosenbohm D12/195
D607,802 S * 1/2010 Collins D12/195
D633,023 S * 2/2011 Hwang D12/195

- D672,299 S * 12/2012 Matsuda D12/195
 - D714,700 S * 10/2014 Yamamoto D12/195
 - D758,269 S * 6/2016 Ahn et al.
 - D768,042 S * 10/2016 Lee
 - D801,899 S * 11/2017 Watkin D12/195
 - D807,267 S * 1/2018 Higashimori
 - D816,571 S * 5/2018 Wiedeman et al.
 - D817,834 S * 5/2018 Ahn D12/196
 - D823,208 S * 7/2018 Boyes et al.
 - D829,142 S * 9/2018 Sheffield D12/195
 - D831,552 S * 10/2018 Watkin
- (Continued)

OTHER PUBLICATIONS

Application and File history for U.S. Appl. No. 29/745,378, filed Aug. 5, 2020. Inventors: Levy.
(Continued)

Primary Examiner — Susan E Krakower
Assistant Examiner — Jerry Shiuang-Hua Hsu
(74) *Attorney, Agent, or Firm* — Patterson Thuent Pedersen, P.A.

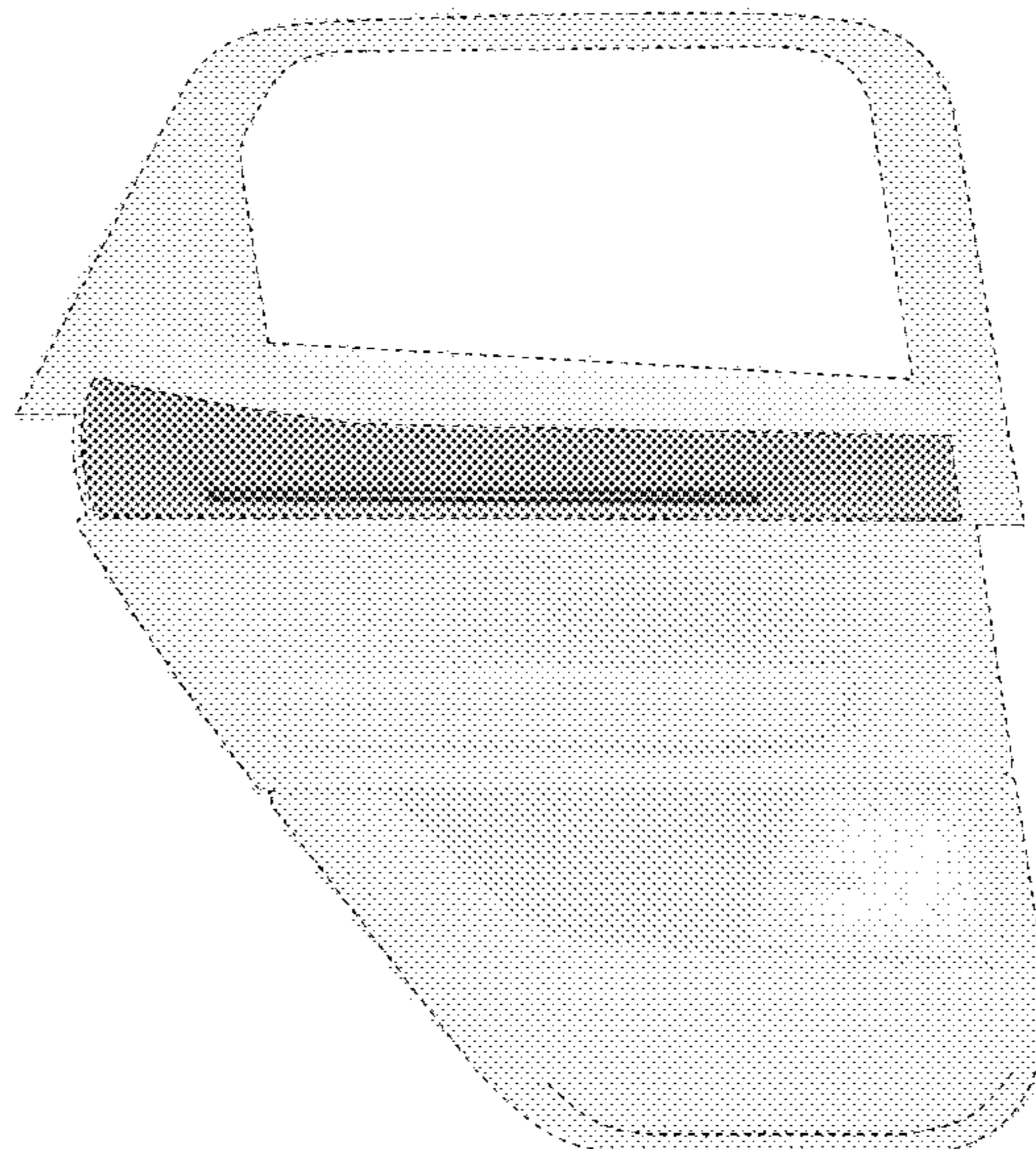
(57) **CLAIM**

I claim the ornamental design for a vehicle door, as shown and described.

DESCRIPTION

The patent or application file contains at least one drawing executed in color. Copies of this patent or patent application publication with color drawing(s) will be provided by the Office upon request and payment of the necessary fee. FIG. 1 is a front view of a vehicle door, showing my new design. FIG. 2 is a right side and front perspective view thereof; and, FIG. 3 is a left side and front perspective view thereof. The broken lines illustrate portions of the vehicle door that form no part of the claimed design.

1 Claim, 3 Drawing Sheets
(3 of 3 Drawing Sheet(s) Filed in Color)



(56)

References Cited

U.S. PATENT DOCUMENTS

D835,554 S	12/2018	Yamamoto et al.	
D840,888 S	2/2019	Takagi	
D853,922 S	7/2019	Sandys et al.	
D853,923 S	7/2019	Peat	
D874,372 S	2/2020	Donfrancesco et al.	
D880,386 S *	4/2020	Nakao	D12/195
D881,773 S	4/2020	Tomasson et al.	
D882,477 S *	4/2020	Roo-Clefas	D12/195
D887,931 S	6/2020	Tomasson et al.	
D892,693 S	8/2020	Jacob et al.	
D919,530 S	5/2021	Mistiuk et al.	

OTHER PUBLICATIONS

Application and File history for U.S. Appl. No. 29/745,379, filed Aug. 5, 2020. Inventors: Levy.

* cited by examiner

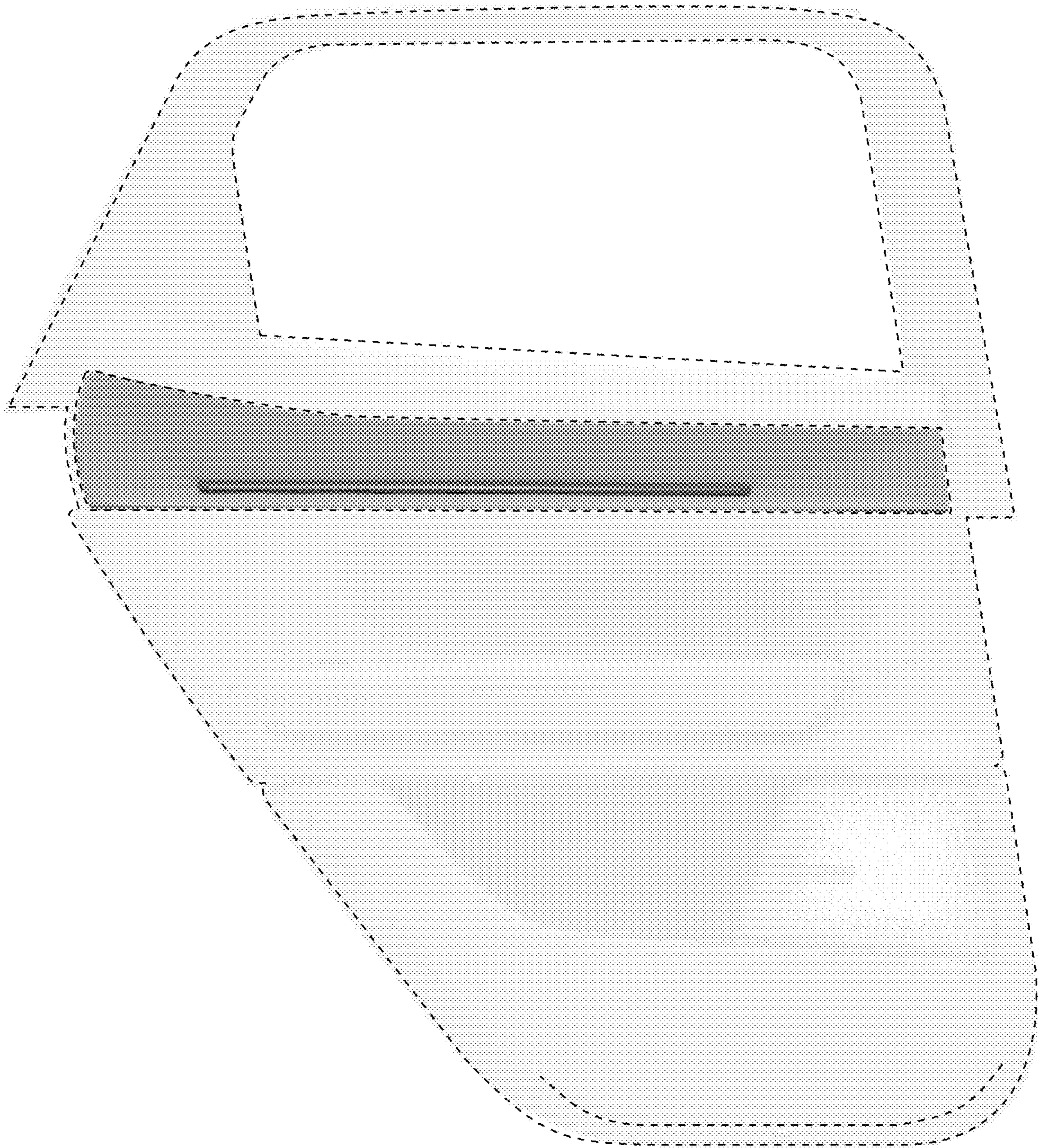


FIG. 1

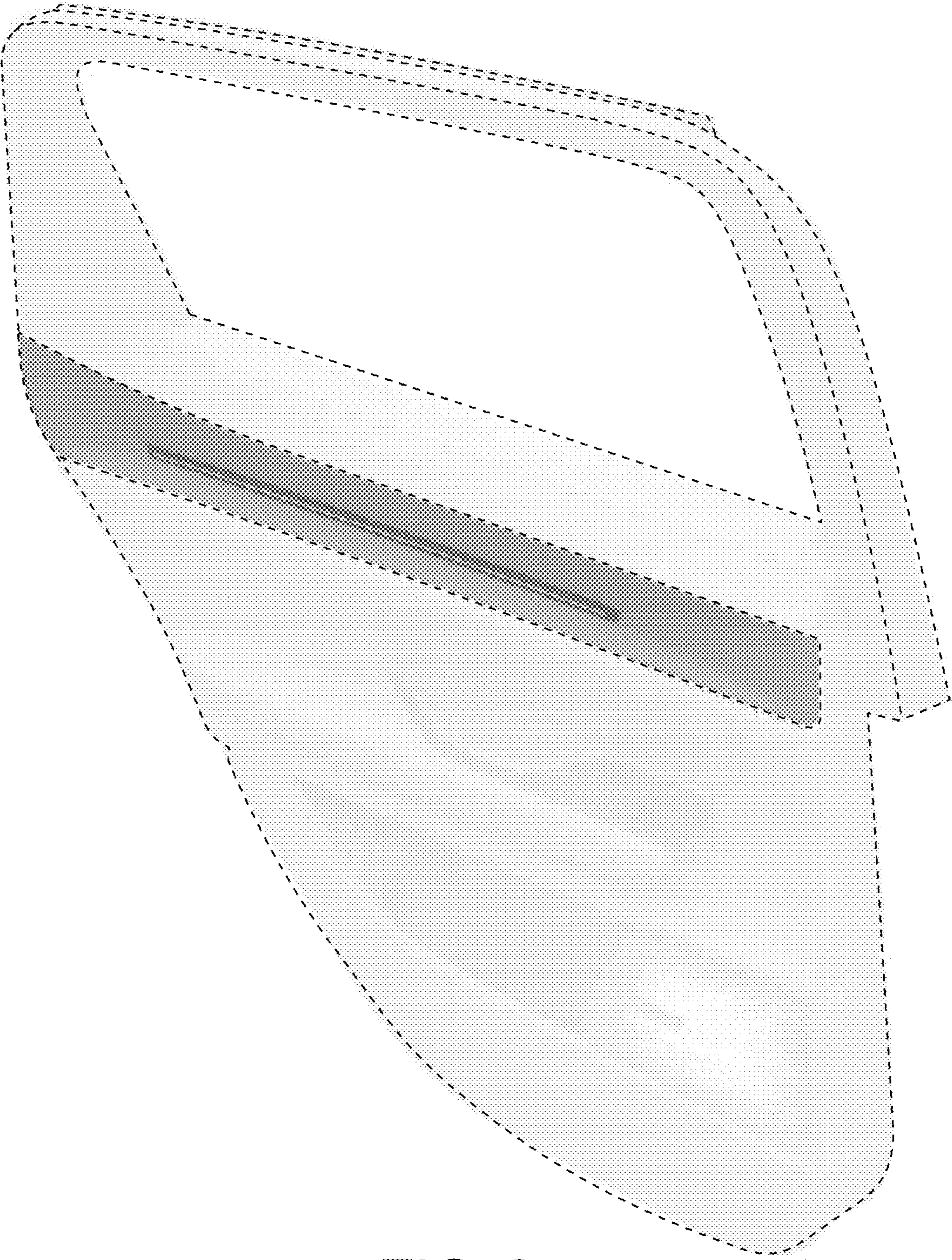


FIG. 2

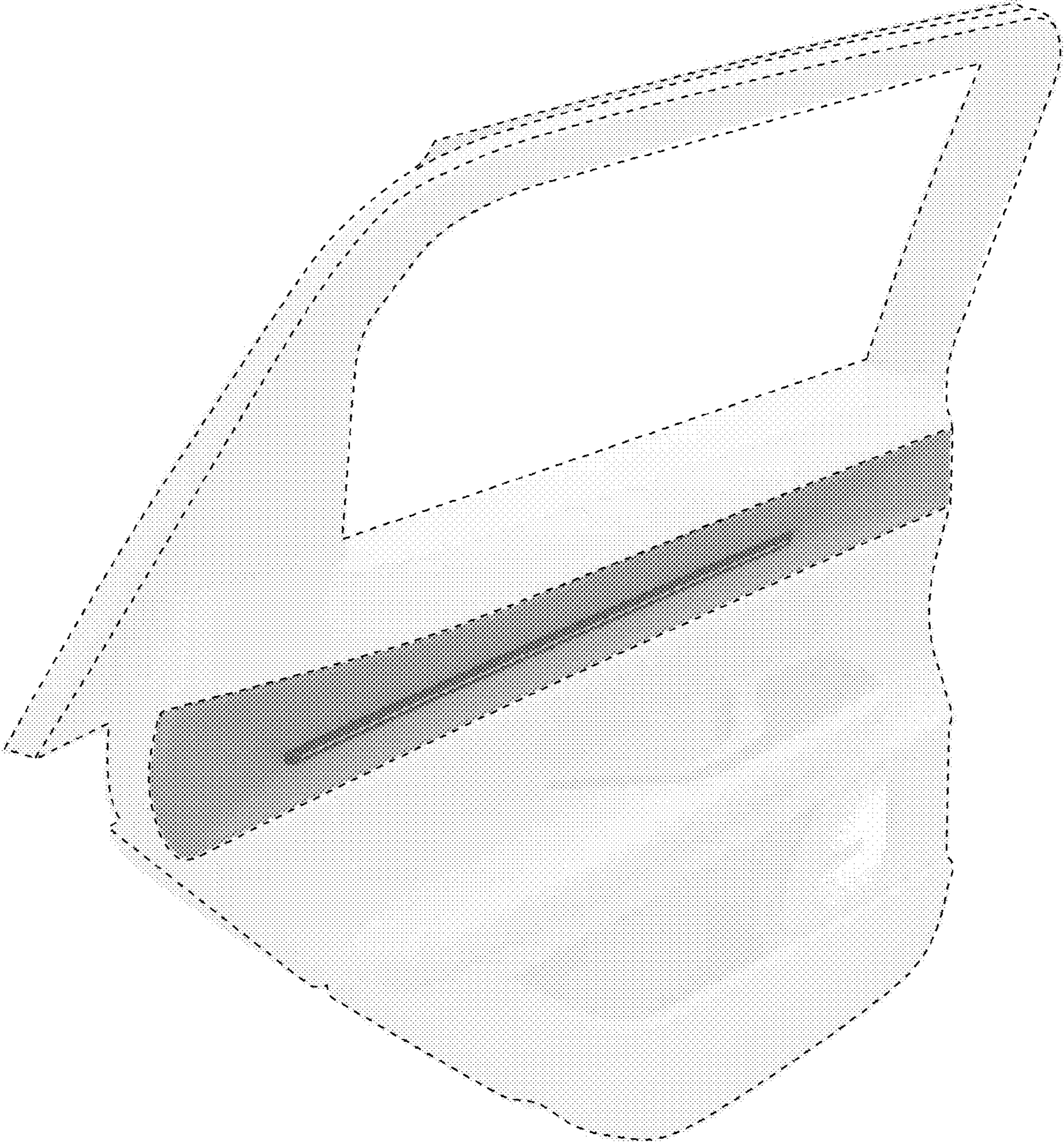


FIG. 3