



US00D953953S

(12) **United States Design Patent** (10) **Patent No.:** **US D953,953 S**  
**Akrapovic et al.** (45) **Date of Patent:** **\*\* \*Jun. 7, 2022**

(54) **TAILPIPE**

(71) Applicant: **Igor Akrapovic**, Ljubljana (SI)  
(72) Inventors: **Igor Akrapovic**, Ljubljana (SI); **Ermin Kosovel**, Zgornje Gorje (SI); **Matej Bulc**, Ljubljana (SI); **Anton Šifrar**, Grosuplje (SI); **Damir Topolovšek**, Podbočje (SI)

(\*) Notice: This patent is subject to a terminal disclaimer.

(\*\*) Term: **15 Years**

(21) Appl. No.: **35/510,649**

(22) Filed: **Oct. 15, 2020**

(80) **Hague Agreement Data**

Int. Filing Date: **Oct. 15, 2020**  
Int. Reg. No.: **DM/210851**  
Int. Reg. Date: **Oct. 15, 2020**  
Int. Reg. Pub. Date: **Oct. 30, 2020**

(30) **Foreign Application Priority Data**

Apr. 16, 2020 (EM) ..... RCD 007816244-0001

(51) **LOC (13) Cl.** ..... **12-16**

(52) **U.S. Cl.**  
USPC ..... **D12/194**

(58) **Field of Classification Search**  
USPC ..... D12/194; D15/5

(Continued)

(56) **References Cited**

**U.S. PATENT DOCUMENTS**

D384,319 S \* 9/1997 Harutiunian ..... D12/194  
D397,661 S \* 9/1998 Harutiunian ..... D12/194

(Continued)

**OTHER PUBLICATIONS**

“Installation for Ford F-150 Raptor Tail Pipes PN’s-60640, 60640BC, 60640CFBA.” Borla Exhaust., Aug. 4, 2017 [online], [retrieved on Oct. 22, 2021]. Retrieved from the Internet <URL: https://www.borla.com/A-35941.pdf>.\*

(Continued)

*Primary Examiner* — Darlington Ly  
(74) *Attorney, Agent, or Firm* — Olson & Cepuritis, Ltd.

(57) **CLAIM**

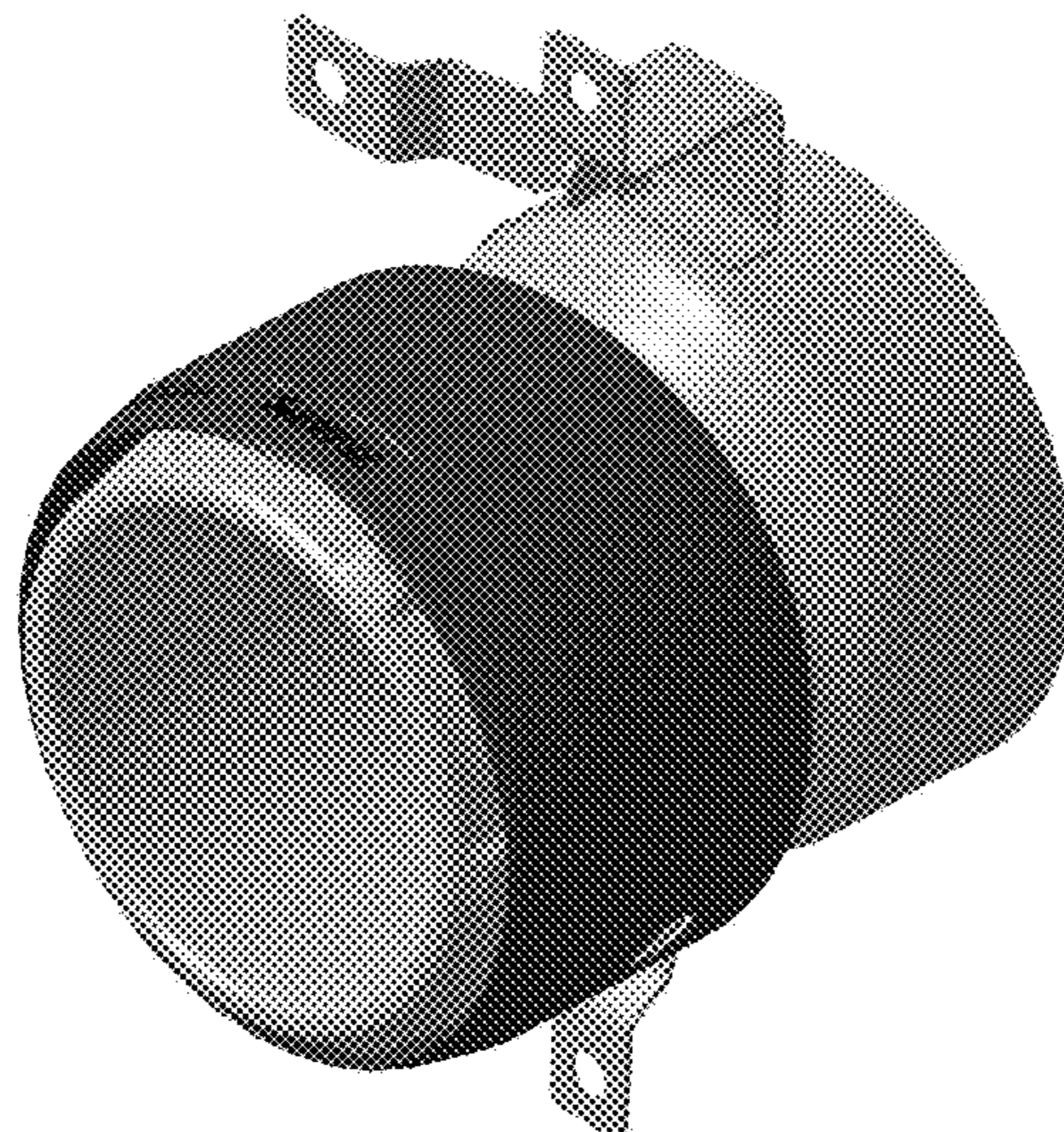
The ornamental design for a tailpipe, as shown and described.

**DESCRIPTION**

The patent or application file contains at least one drawing executed in color. Copies of this patent or patent application publication with color drawing(s) will be provided by the Office upon request and payment of the necessary fee.

1. Tailpipe  
1.1 is a top, rear, and left side perspective view of a tailpipe embodying our new design;  
1.2 is a right side elevation view thereof;  
1.3 is a left side elevation view thereof;  
1.4 is a top, rear, and right side perspective view thereof;  
1.5 is a top plan view thereof;  
1.6 is a rear elevation view thereof;  
1.7 is a bottom plan view thereof;  
1.8 is a front elevation view thereof; and  
1.9 is a top, front, and right side perspective view thereof.  
The “automobili Lamborghini” and design mark, appearing at least in part in Figures 1.1, 1.2, 1.4, 1.5, 1.6, and 1.9 is a trademark of Automobili Lamborghini S.p.A. The “AKRAPOVIČ” and design mark, appearing at least in part in Figures 1.1, 1.2, 1.3, 1.4, 1.5, 1.6, and 1.9 is a trademark of Igor Akrapovič. The “automobili Lamborghini” and “AKRAPOVIČ” trademarks, shown on the collar around the tailpipe in these various Figures, are not part of the claimed design and are hereby disclaimed.

**1 Claim, 9 Drawing Sheets**  
**(9 of 9 Drawing Sheet(s) Filed in Color)**



(58) **Field of Classification Search**

CPC ... F01N 1/04; F01N 1/24; F01N 13/08; F01N  
13/082; F01N 13/085; F01N 13/087

See application file for complete search history.

(56) **References Cited**

U.S. PATENT DOCUMENTS

D423,436 S \* 4/2000 Larson ..... D12/194  
6,085,863 A \* 7/2000 Shuen ..... F01N 13/082  
181/227  
D458,570 S \* 6/2002 Wang ..... D12/194  
D467,210 S \* 12/2002 Yu ..... D12/194  
D558,111 S \* 12/2007 Banks, III ..... D12/194  
D633,021 S \* 2/2011 Lemon ..... D12/194  
D836,515 S \* 12/2018 Akrapovic ..... D12/194  
D911,236 S \* 2/2021 Akrapovic ..... D12/194  
D920,201 S \* 5/2021 Akrapovic ..... D12/194  
2007/0291470 A1 \* 12/2007 Thomson ..... B60Q 1/2688  
362/96

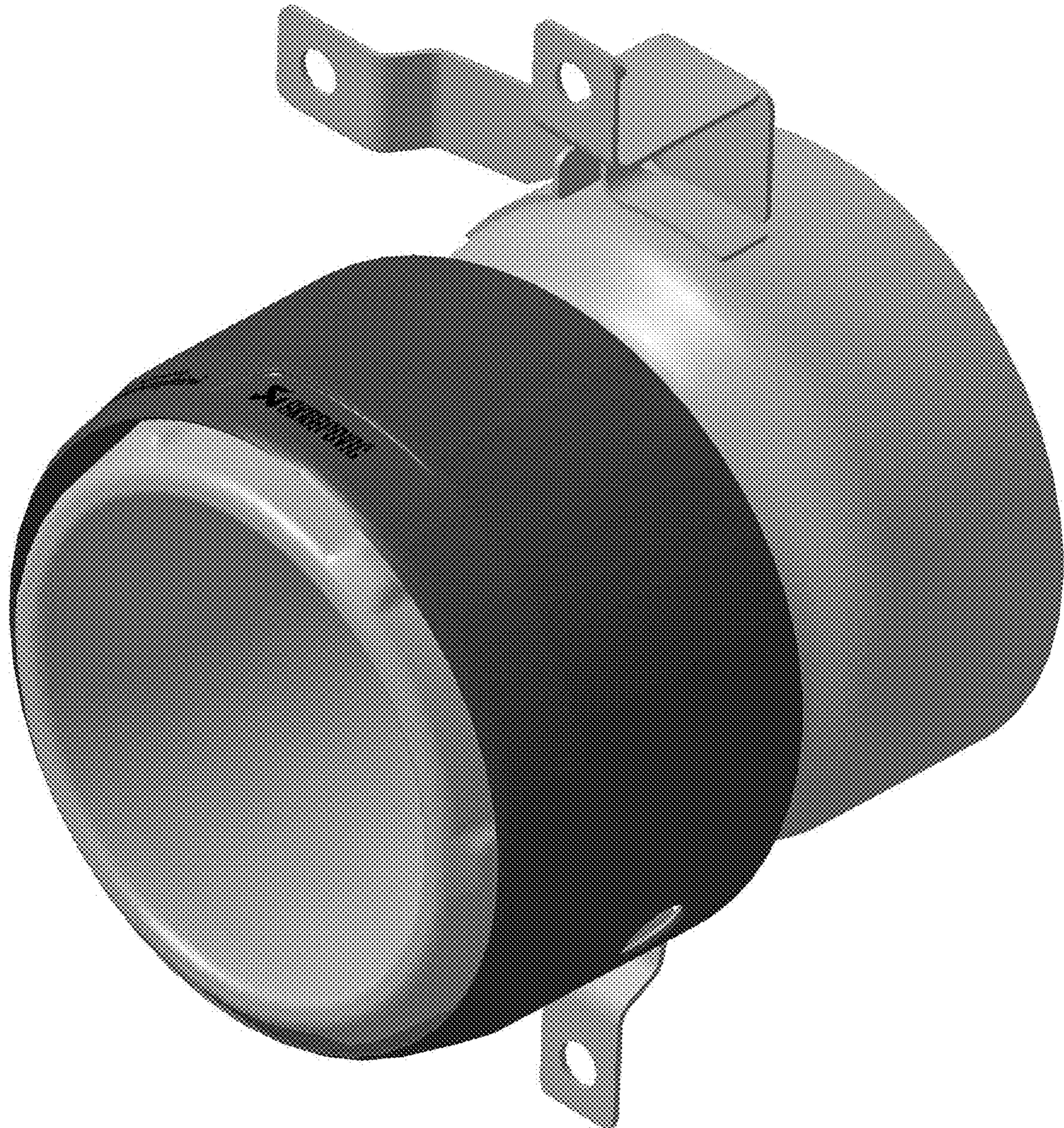
OTHER PUBLICATIONS

“Universal Tip Catalog.” Xlerator Performance Exhaust., Jul. 26,  
2012 [online], [retrieved on Oct. 22, 2021]. Retrieved from the  
Internet <URL: [http://sales.apexhaust.com/uploads/catalogs/Xlerator\\_Silverline\\_TIP\\_Catalog\\_APETG0712.pdf](http://sales.apexhaust.com/uploads/catalogs/Xlerator_Silverline_TIP_Catalog_APETG0712.pdf)>.\*

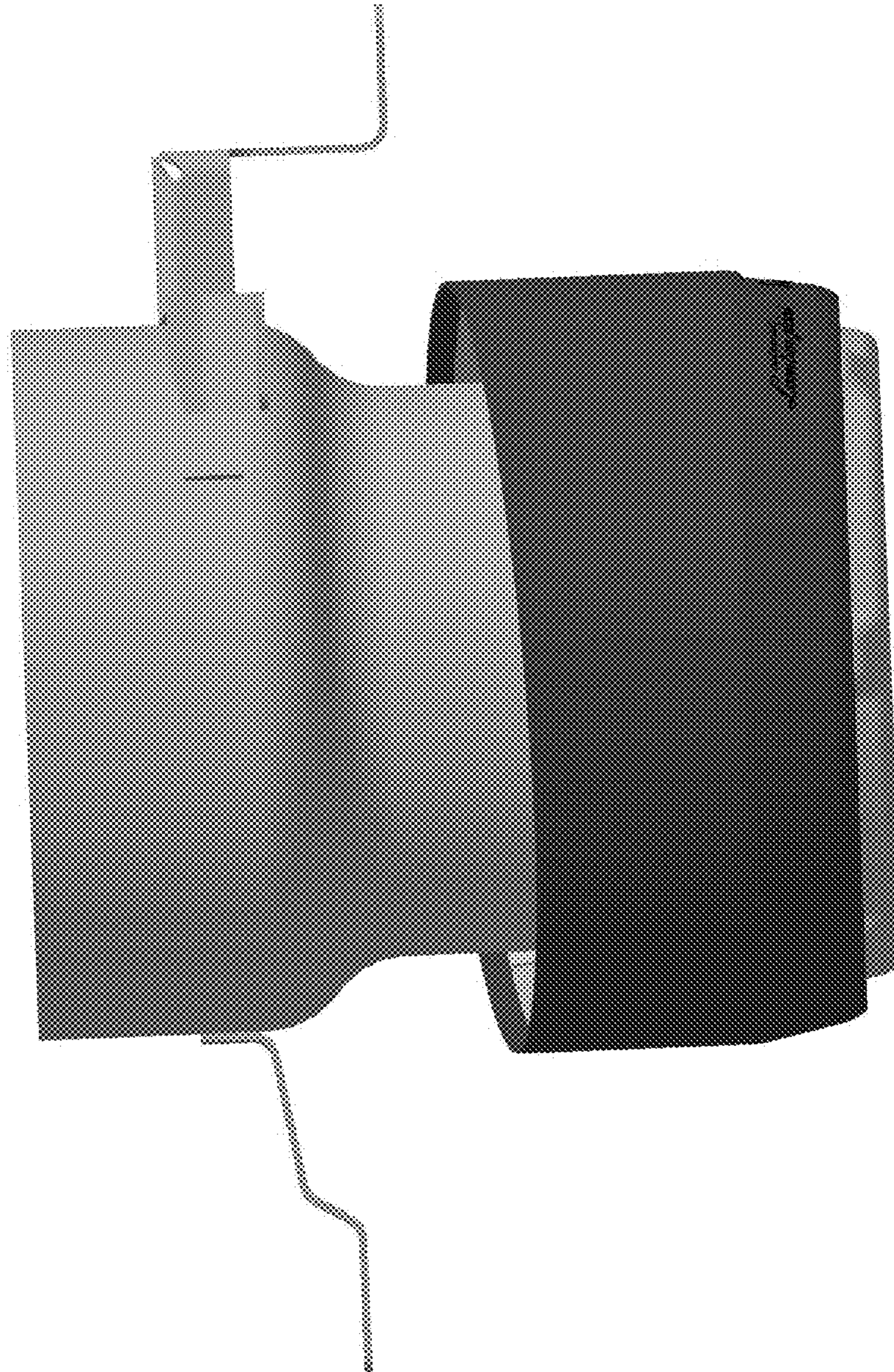
“Product Catalog.” Jones Full Boar Performance., Mar. 23, 2016  
[online], [retrieved on Oct. 22, 2021]. Retrieved from the Internet  
<URL: <https://images.carid.com/jones-exhaust/products/pdf/jones-exhaust-product-catalog.pdf>>.\*

\* cited by examiner

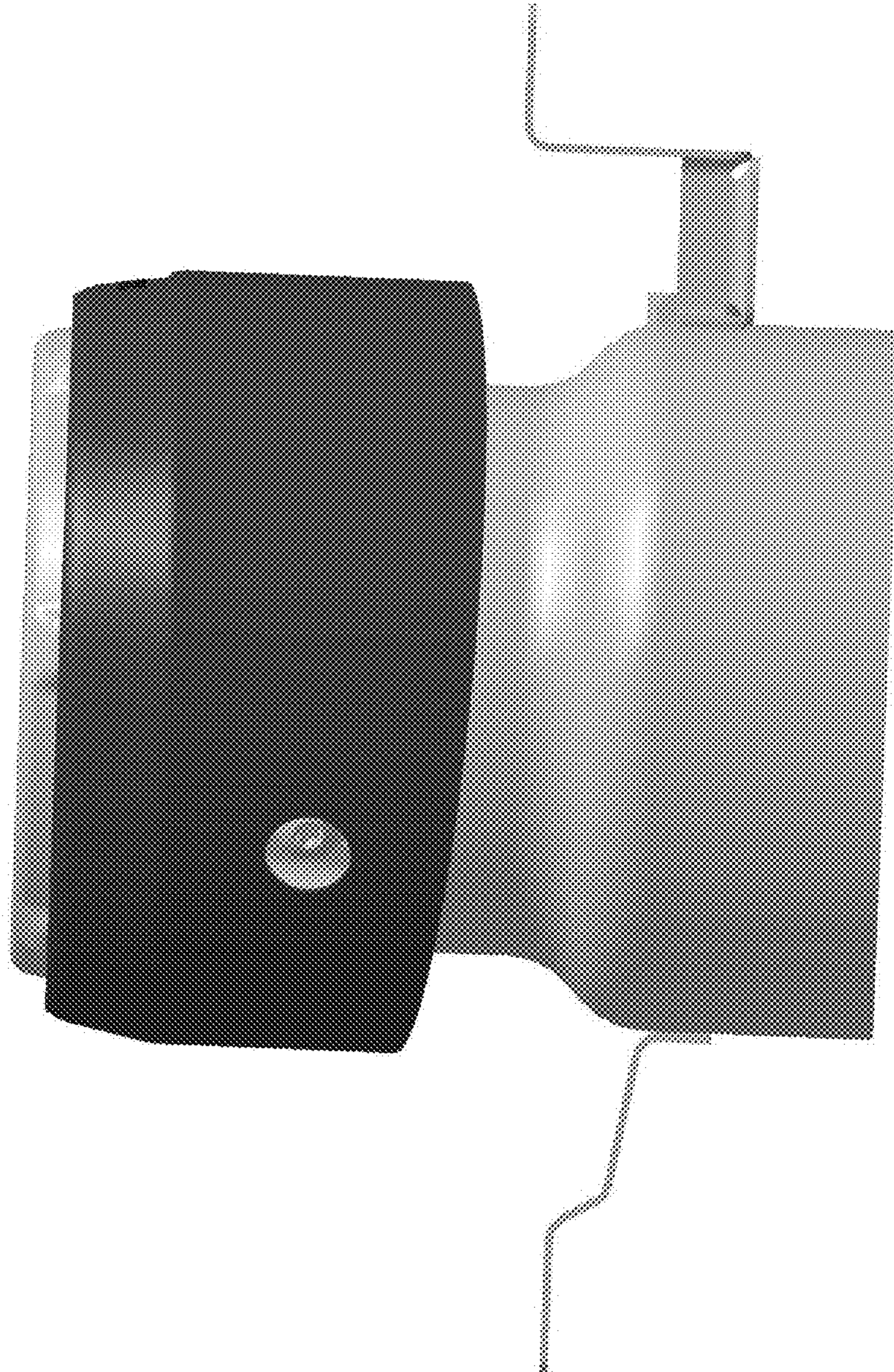
1.1



1.2



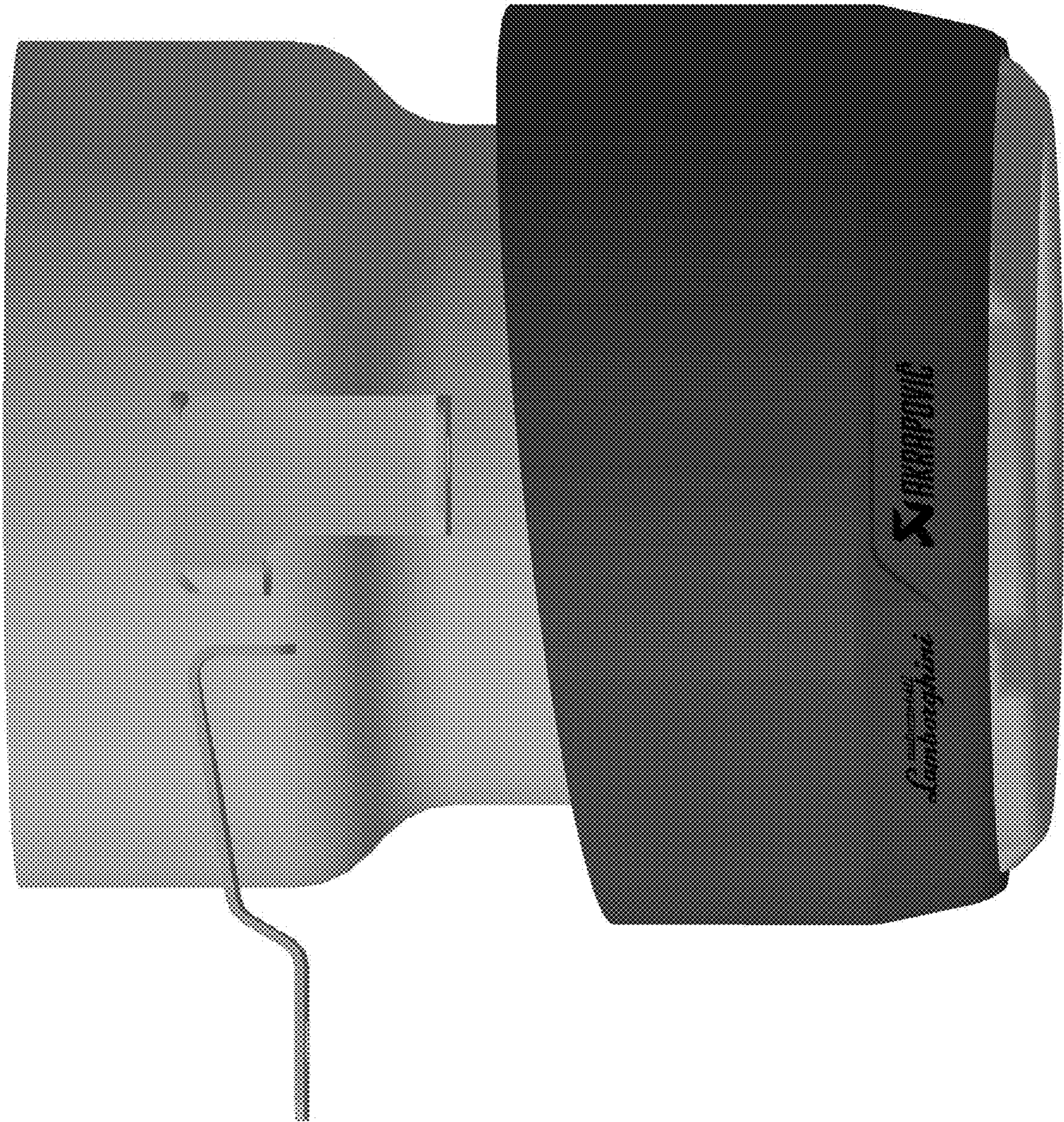
1.3



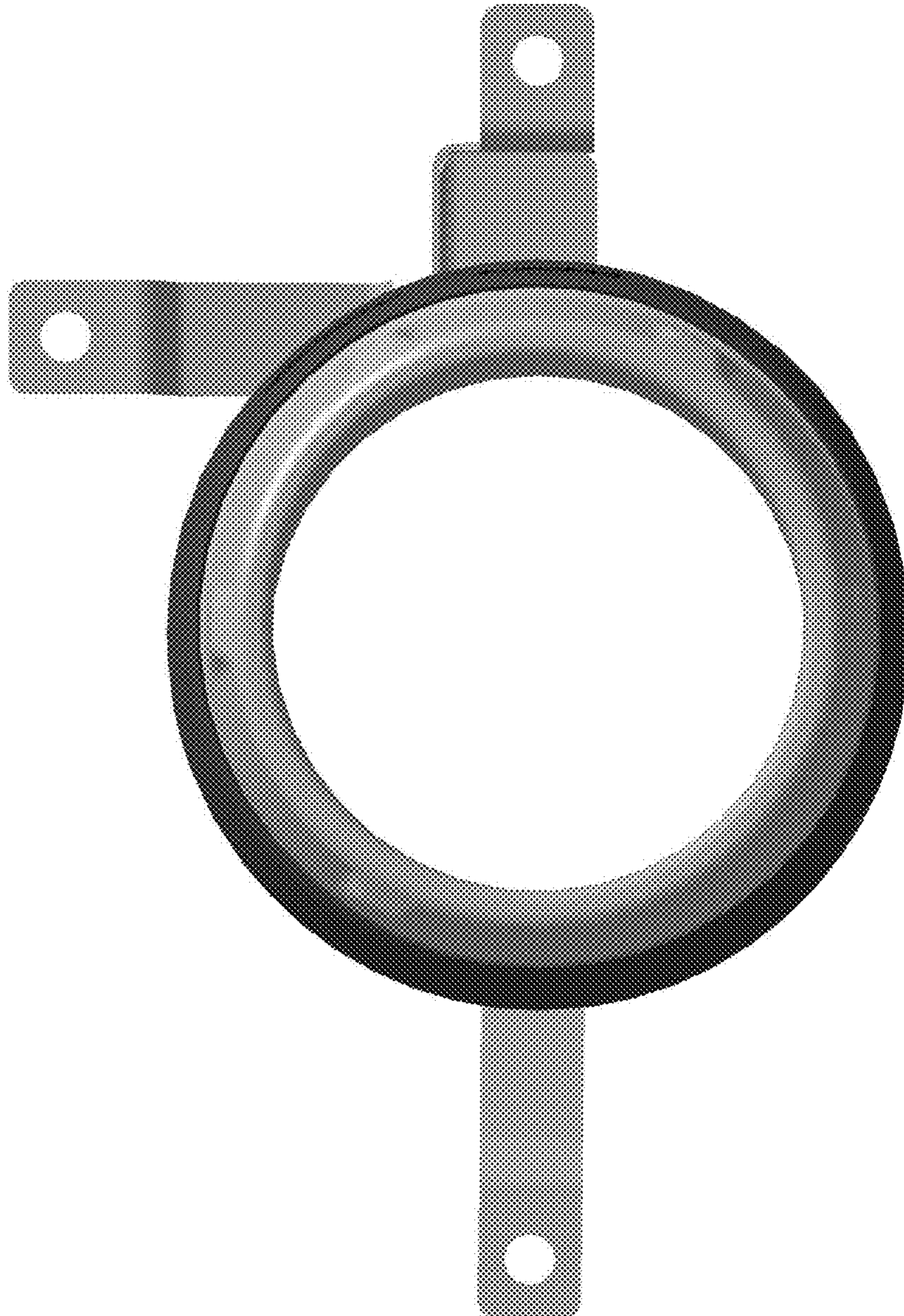
1.4



1.5

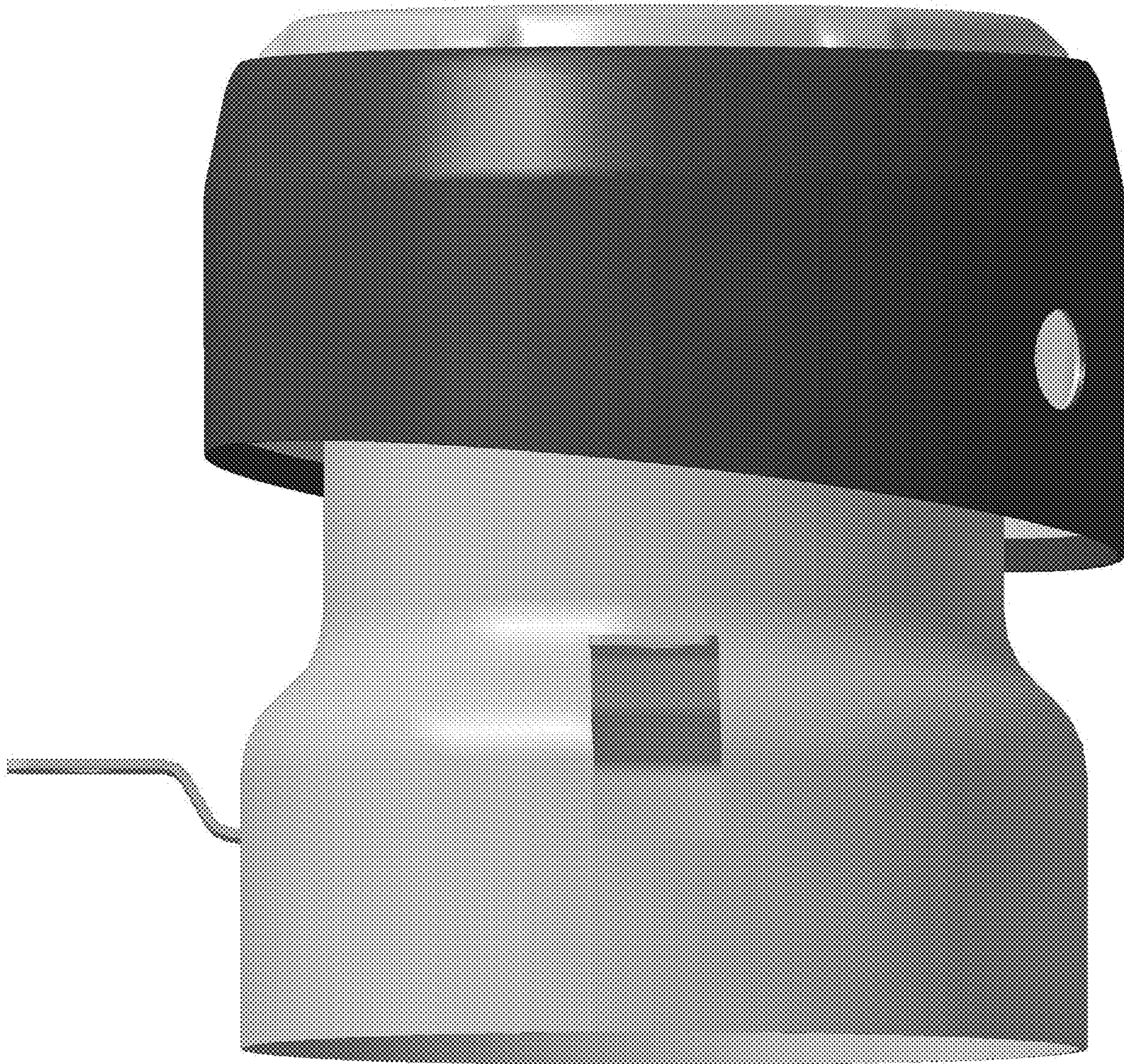


1.6

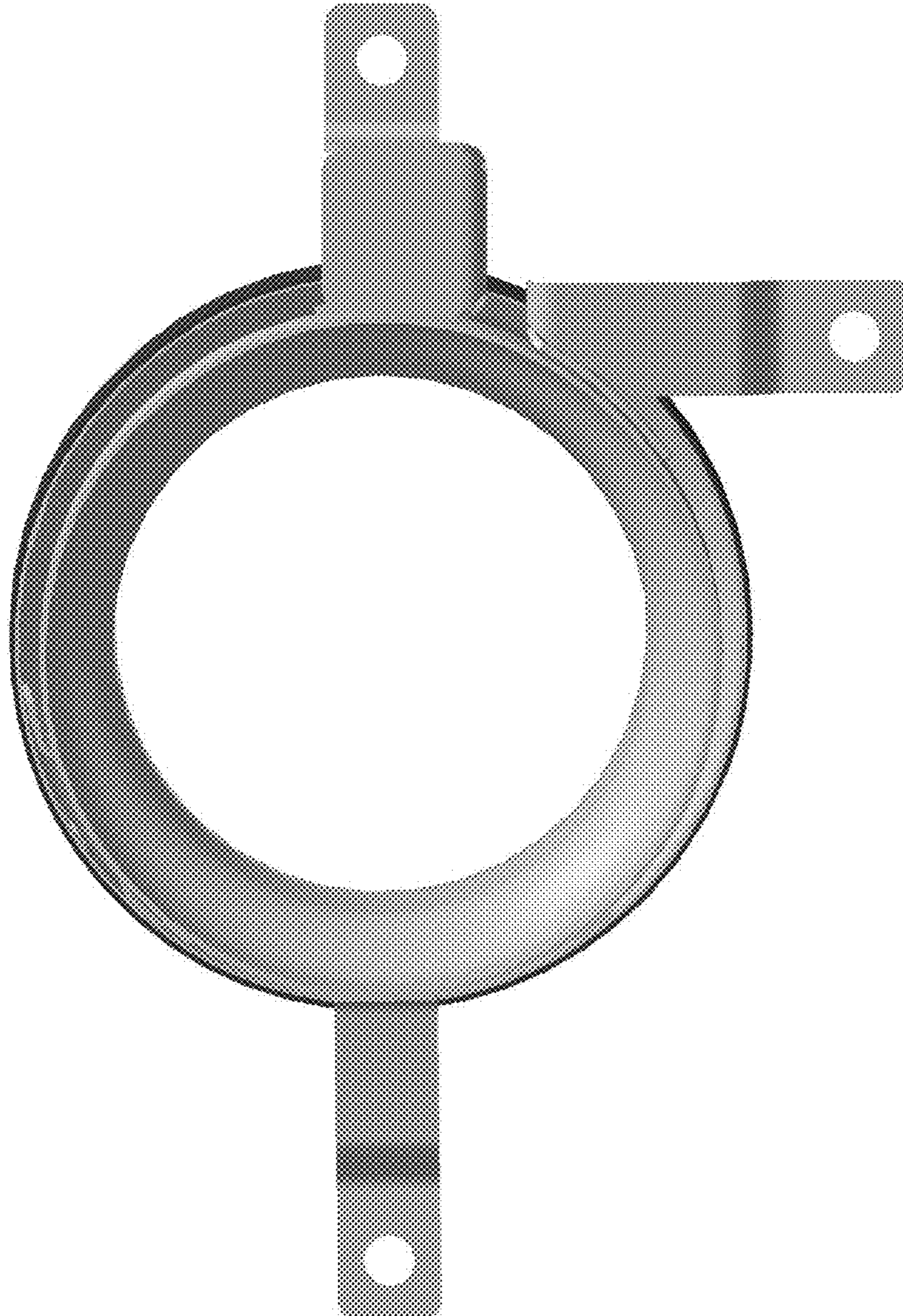




1.7



1.8



1.9

