



US00D953952S

(12) **United States Design Patent**
Wheel

(10) **Patent No.:** **US D953,952 S**

(45) **Date of Patent:** **** Jun. 7, 2022**

(54) **VEHICLE FRONT BUMPER**

(71) Applicant: **JAGUAR LAND ROVER LIMITED,**
Coventry (GB)

(72) Inventor: **Andrew Wheel,** Coventry (GB)

(73) Assignee: **JAGUAR LAND ROVER LIMITED,**
Coventry (GB)

(**) Term: **15 Years**

(21) Appl. No.: **29/763,024**

(22) Filed: **Dec. 21, 2020**

(30) **Foreign Application Priority Data**

Jun. 29, 2020 (EM) 008026330-0007

(51) **LOC (13) Cl.** **12-16**

(52) **U.S. Cl.**
USPC **D12/190**

(58) **Field of Classification Search**
USPC D12/173, 169, 163, 86, 90, 91, 171, 196,
D12/216, 190, 181, 192, 400, 92, 197,
D12/198, 199, 200, 172, 110, 114
CPC B60S 9/205; B60R 13/02; B60R 13/005
See application file for complete search history.

(56) **References Cited**

U.S. PATENT DOCUMENTS

D717,222 S * 11/2014 Waterman D12/190
D836,509 S * 12/2018 Grand D12/190

D862,312 S * 10/2019 Frascella D12/164
D863,662 S * 10/2019 Yong D26/139
D894,062 S * 8/2020 Wheel D12/169
D908,568 S * 1/2021 Peplowski D12/190

* cited by examiner

Primary Examiner — Susan E Krakower

Assistant Examiner — Jerry Shiuian-Hua Hsu

(74) *Attorney, Agent, or Firm* — Reising Ethington P.C.

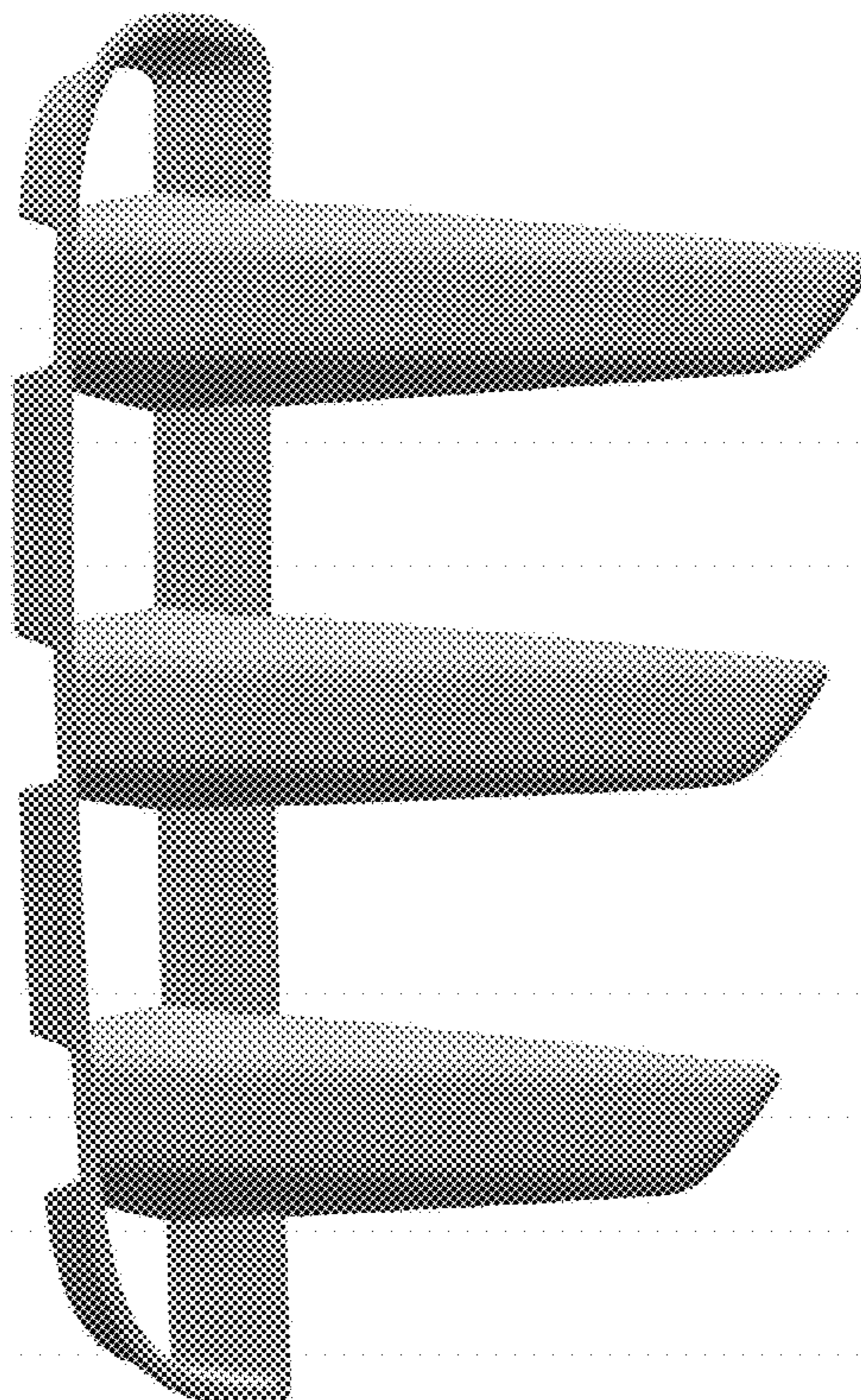
(57) **CLAIM**

The ornamental design for a vehicle front bumper, as shown and described.

DESCRIPTION

FIG. 1 is a front, right perspective view of a vehicle front bumper, showing my new design;
FIG. 2 is a front, right, top perspective view thereof;
FIG. 3 is a front view thereof;
FIG. 4 is a right side view thereof;
FIG. 5 is a left side view thereof;
FIG. 6 is a top view thereof;
FIG. 7 is a bottom view thereof;
FIG. 8 is a rear, left perspective view thereof;
FIG. 9 is a rear, left, top perspective view thereof; and,
FIG. 10 is a rear view thereof.

1 Claim, 10 Drawing Sheets



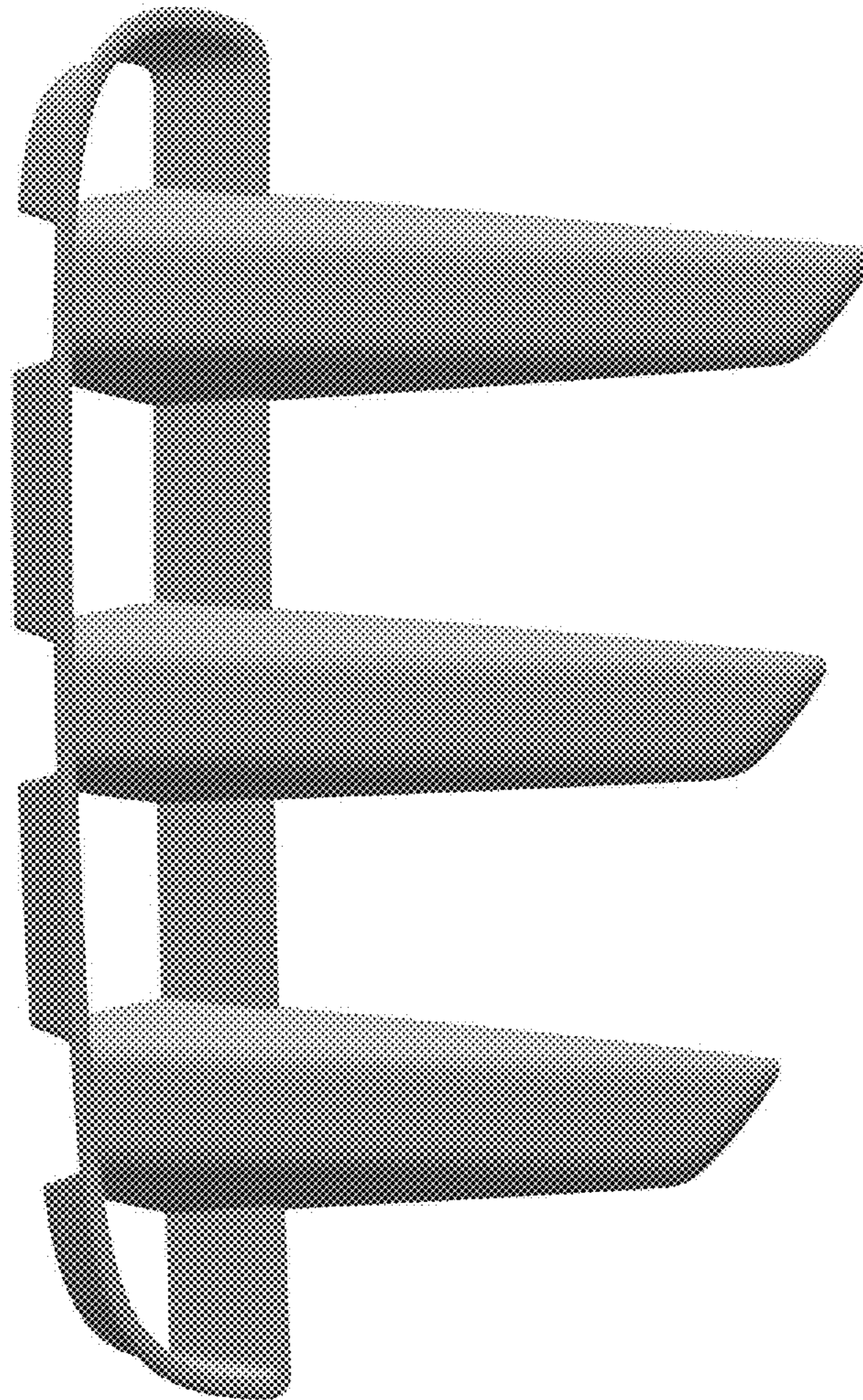


FIG. 1

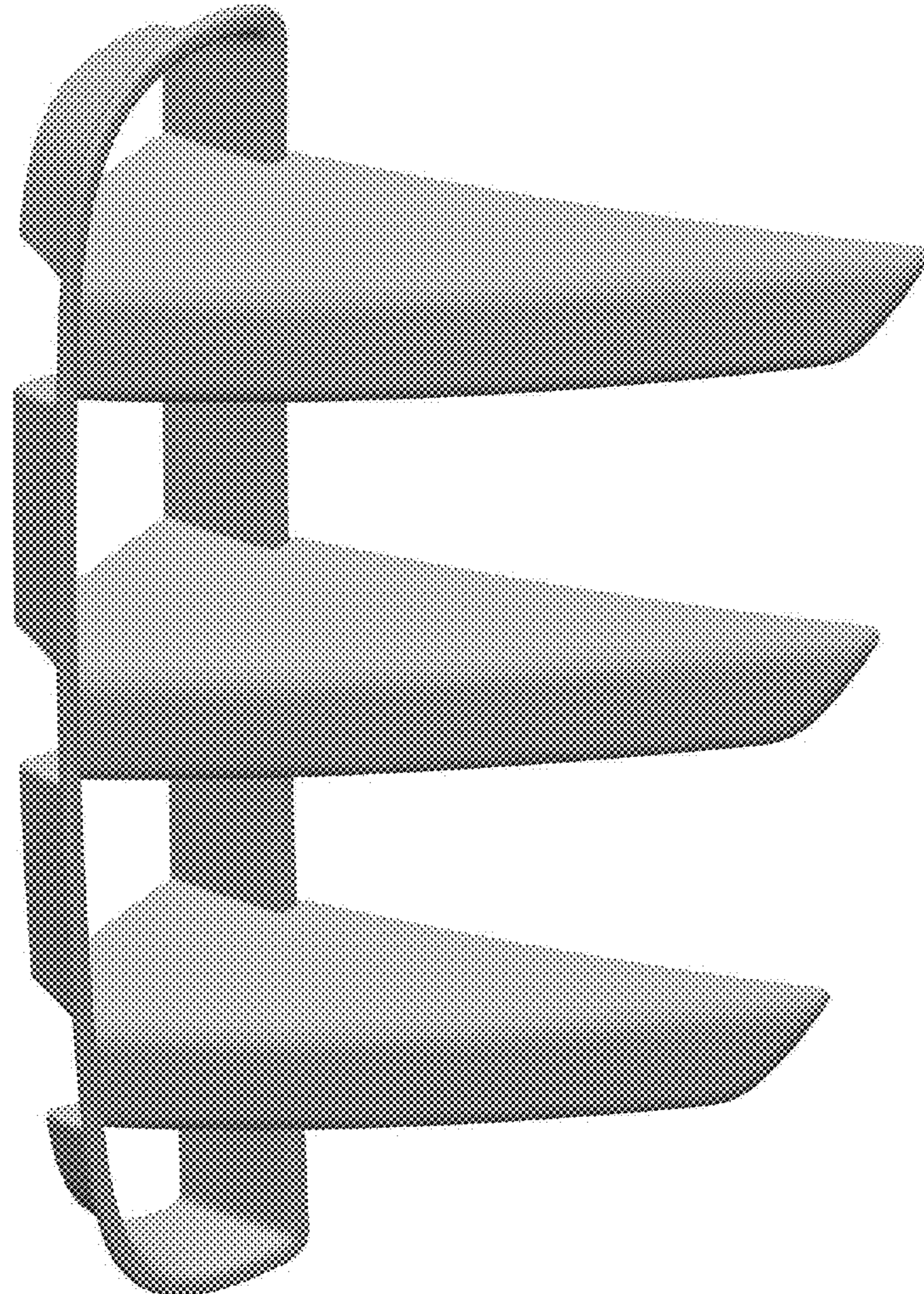


FIG. 2

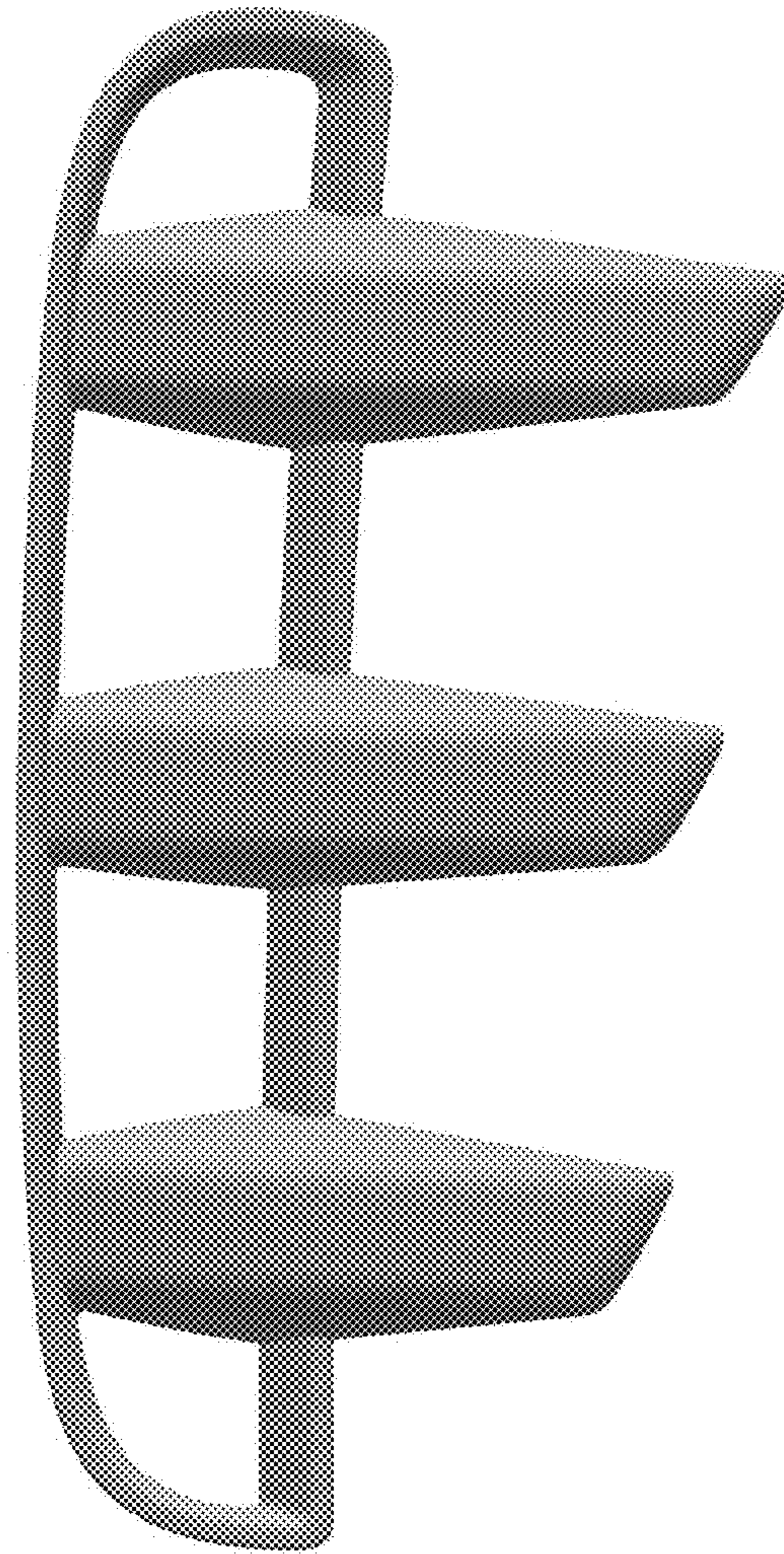


FIG. 3

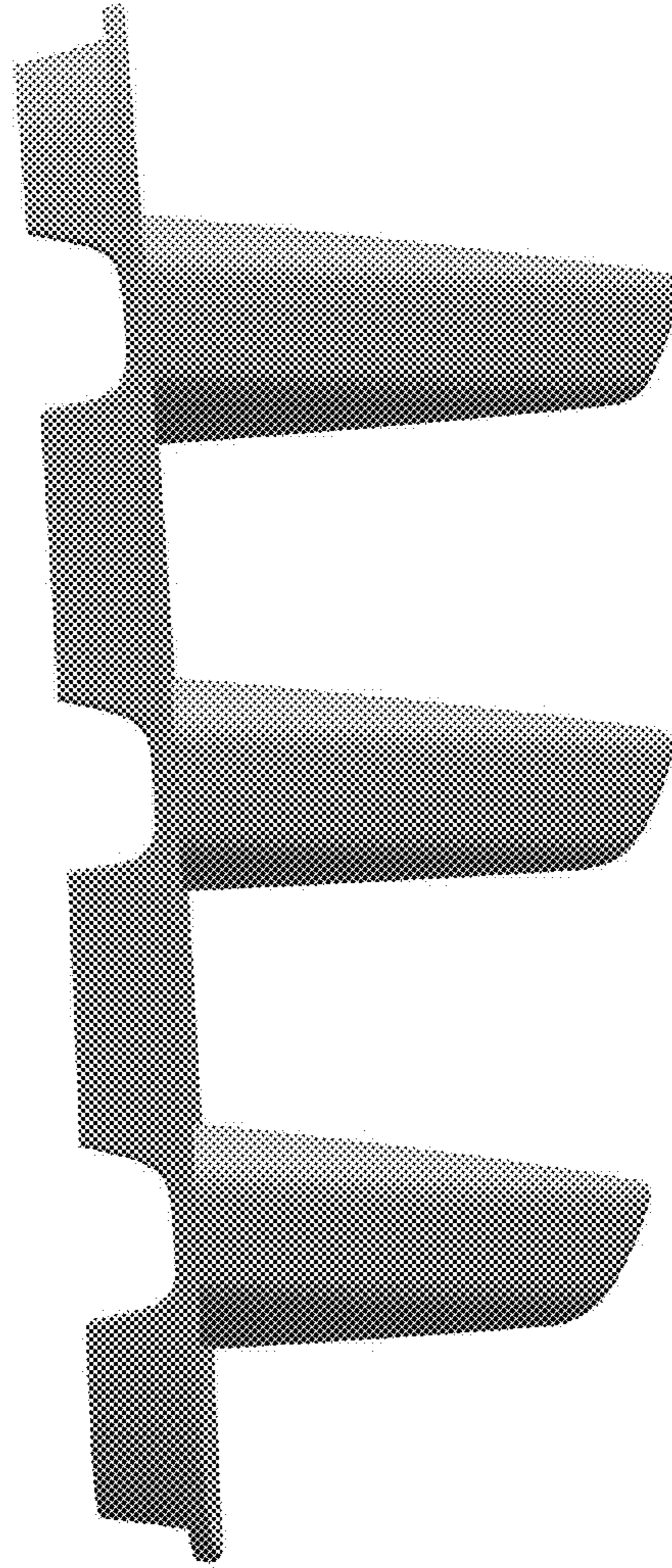


FIG. 4

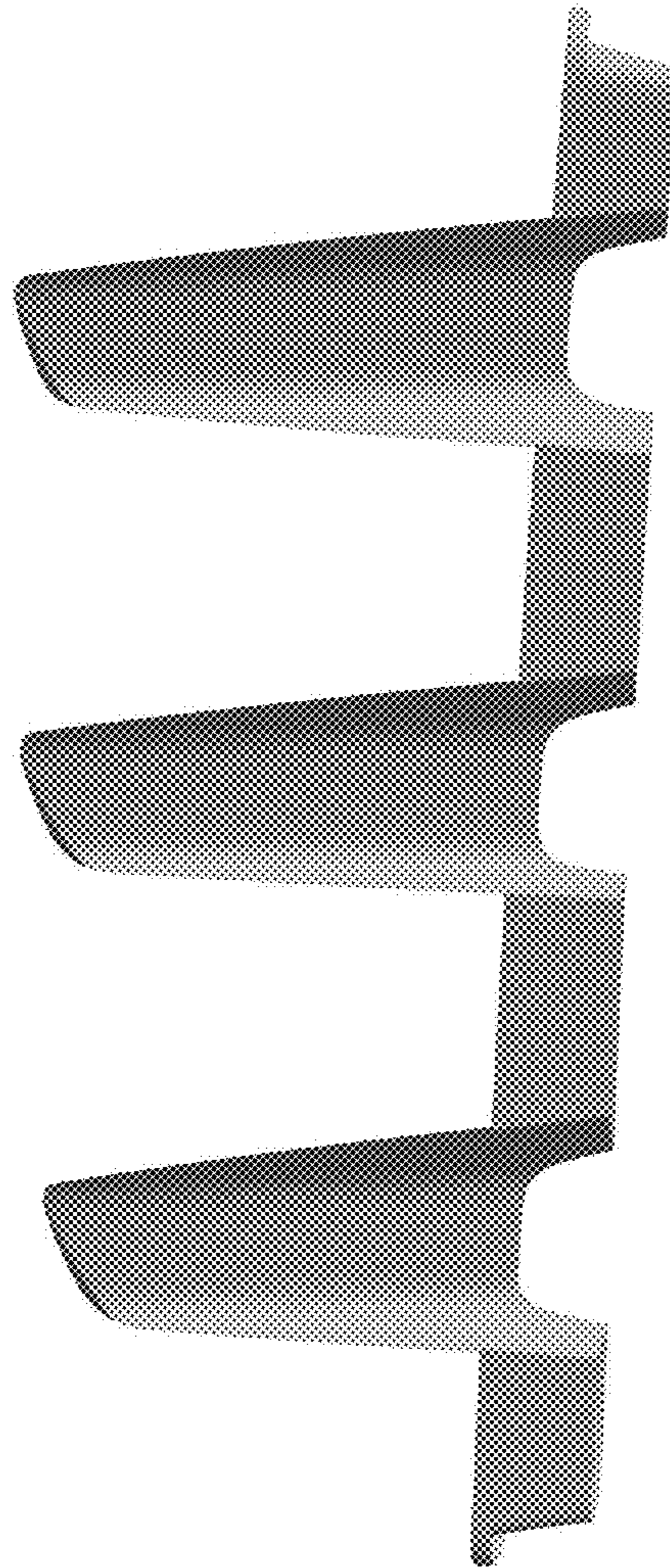


FIG. 5

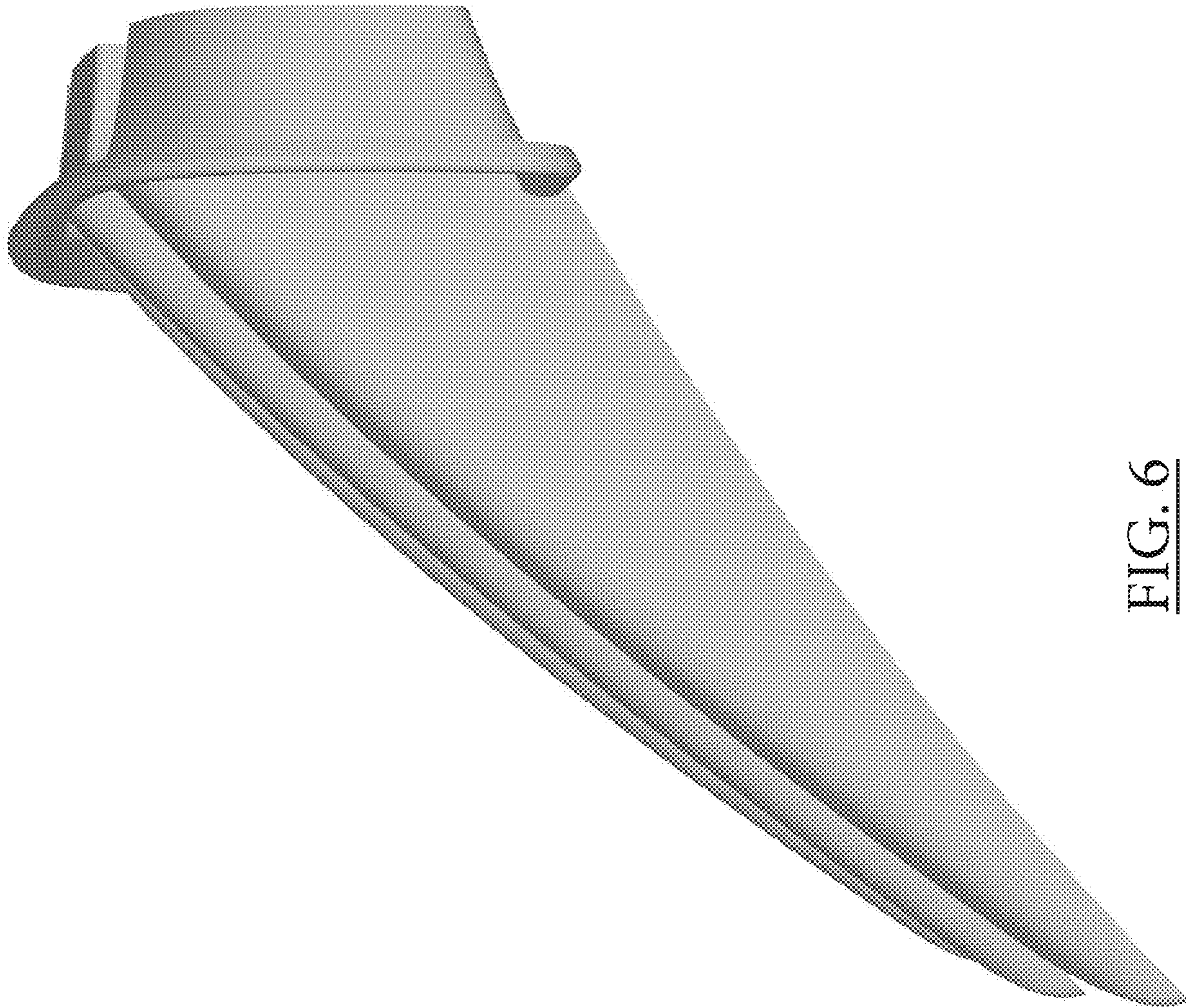


FIG. 6

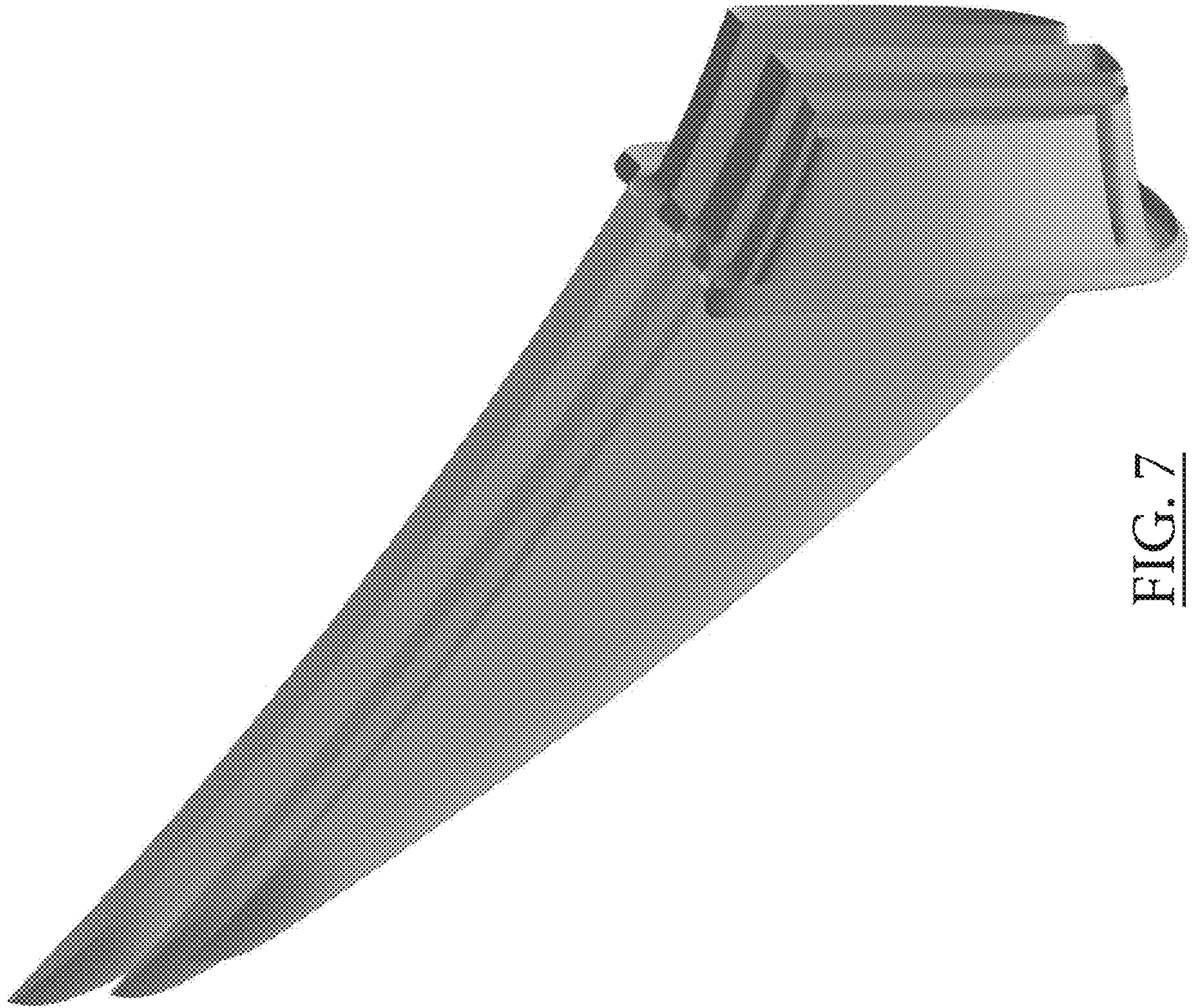


FIG. 7

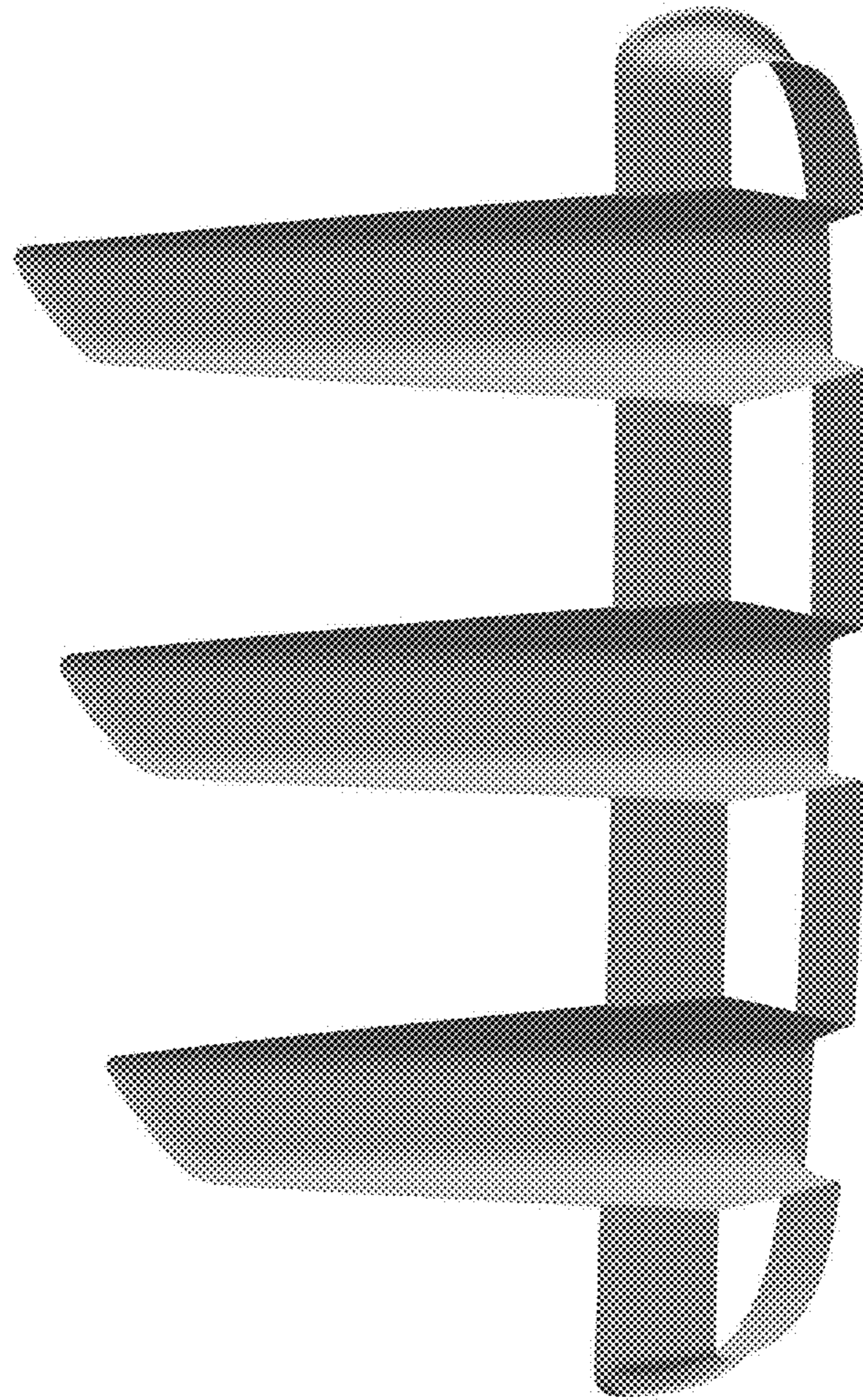


FIG. 8

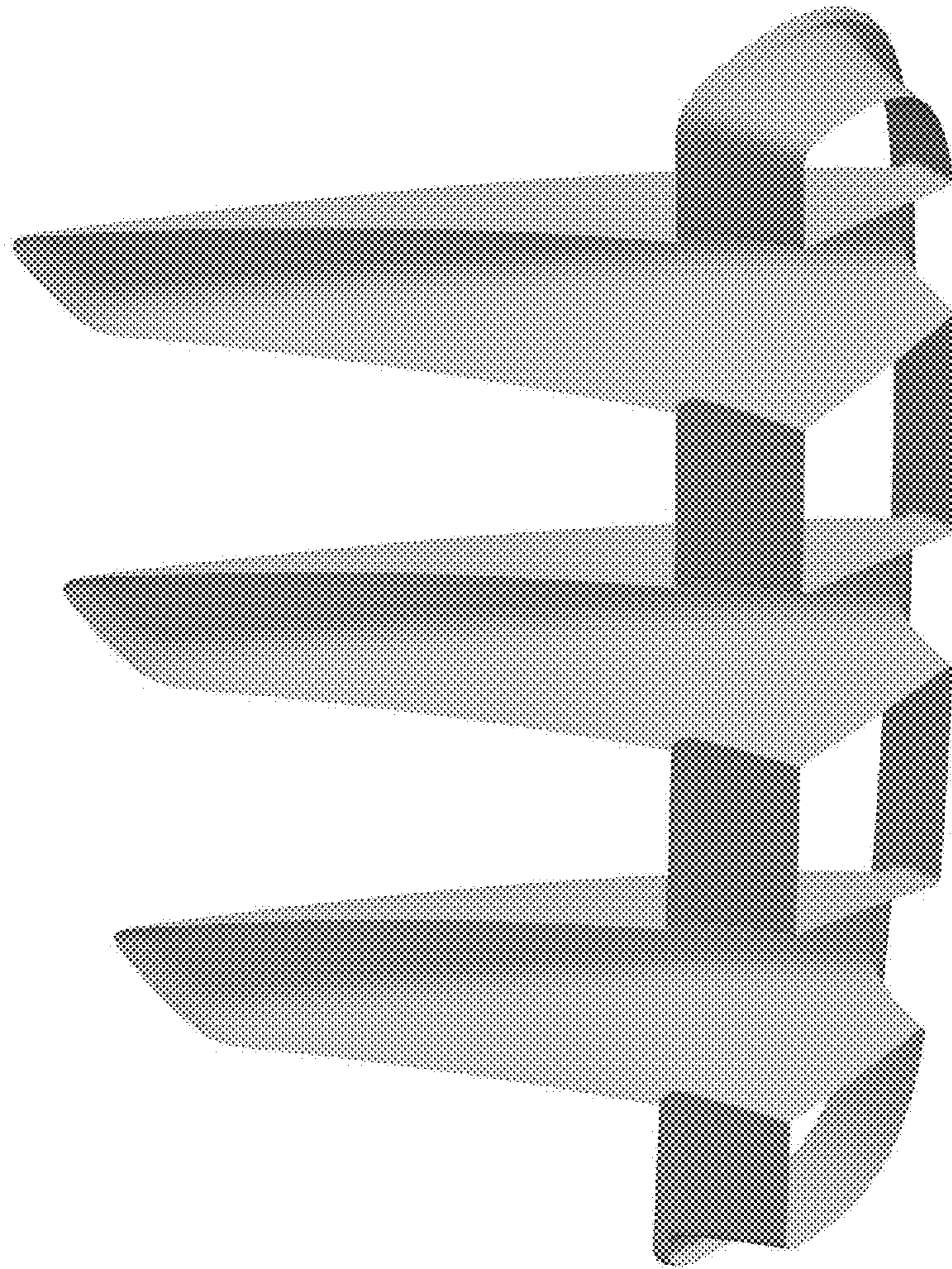


FIG. 9

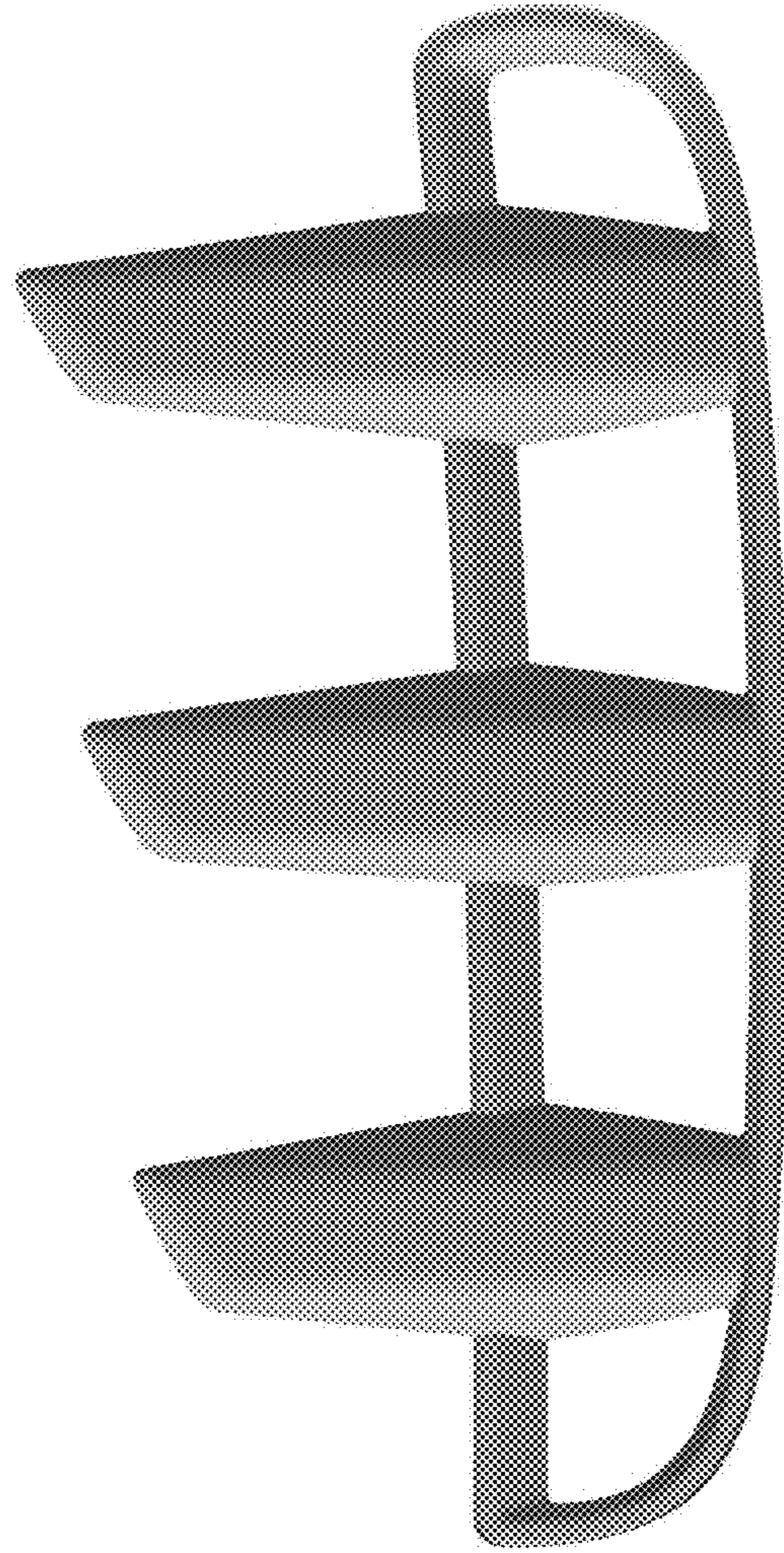


FIG. 10