



US00D953950S

(12) **United States Design Patent** (10) **Patent No.:** **US D953,950 S**
Li (45) **Date of Patent:** **** Jun. 7, 2022**

(54) **REAR FENDER FOR A VEHICLE**
(71) Applicant: **Bayerische Motoren Werke Aktiengesellschaft, Munich (DE)**
(72) Inventor: **Tianyuan Li, Munich (DE)**
(73) Assignee: **Bayerische Motoren Werke Aktiengesellschaft, Munich (DE)**

D885,273 S * 5/2020 Woodhouse D12/181
D899,982 S * 10/2020 Metros D12/181
D899,983 S * 10/2020 Metros D12/181
D904,950 S * 12/2020 Al Attar D12/184
D919,520 S * 5/2021 Wraith D12/181
D929,279 S * 8/2021 Woodhouse D12/184

(Continued)

(**) Term: **15 Years**
(21) Appl. No.: **29/765,984**
(22) Filed: **Jan. 13, 2021**

FOREIGN PATENT DOCUMENTS

WO WO DM/060154 7/2002

OTHER PUBLICATIONS

Fenders. (Design—© Questel) orbit.com. [Online PDF compilation of references] 52 pgs. Print Dates Range Jun. 5, 2020-Jul. 10, 2021 [Retrieved Jan. 24, 2022].*

(Continued)

(30) **Foreign Application Priority Data**
Jul. 21, 2020 (DE) 402020100678.5
(51) **LOC (13) Cl.** **12-16**
(52) **U.S. Cl.**
USPC **D12/184**
(58) **Field of Classification Search**
USPC ... D12/1, 14, 82, 85, 88, 89, 90, 91, 92, 93,
D12/96, 97, 98, 99, 164, 167, 169, 170,
D12/171, 172, 173, 181, 184, 185, 190,
D12/192, 196, 400; D21/533, 548, 552,
D21/561
CPC B62D 25/02; B62D 25/04; B62D 25/16;
B62D 25/18; B62D 25/161; B62D
25/168; B62D 25/182; B60J 5/00; B60J
5/02; B60J 5/04; B60J 5/10; B60R 19/00
See application file for complete search history.

Primary Examiner — Manpreet S Matharu
Assistant Examiner — Suzanne E Tisdell
(74) *Attorney, Agent, or Firm* — Crowell & Moring LLP

(57) **CLAIM**

The ornamental design for a rear fender for a vehicle, as shown and described.

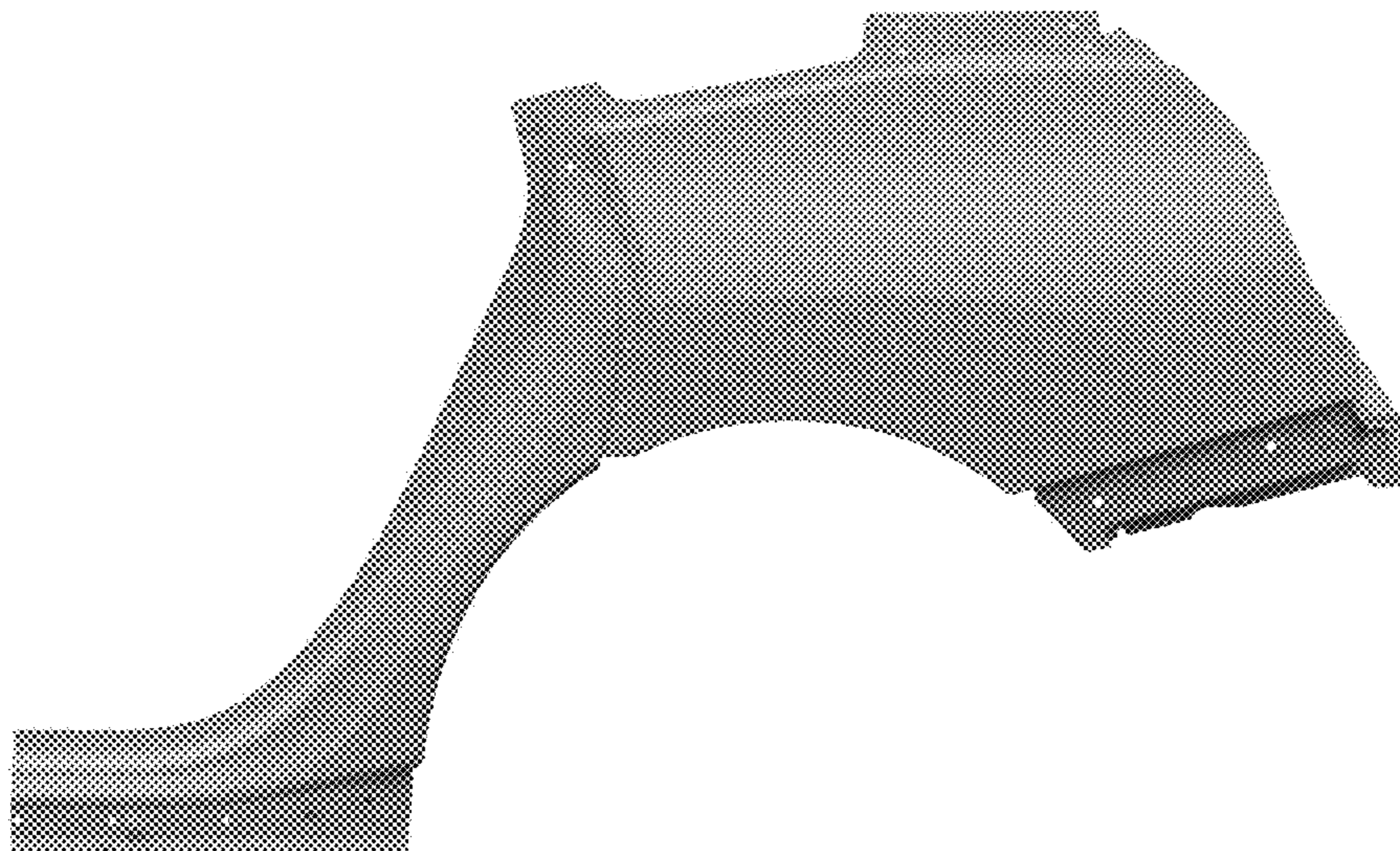
DESCRIPTION

This application contains subject matter related to the following co-pending U.S. design patent application: Application Ser. No. 29/765,980, filed herewith and entitled "Vehicle, Toy, and/or Replicas Thereof".

FIG. 1 is a front view of a rear fender for a vehicle according to the design;
FIG. 2 is a left, front perspective view thereof;
FIG. 3 is a right, front perspective view thereof;
FIG. 4 is a left side view thereof;
FIG. 5 is a right side view thereof;
FIG. 6 is a top view thereof;
FIG. 7 is a bottom view thereof; and,
FIG. 8 is a rear view thereof.

1 Claim, 8 Drawing Sheets

(56) **References Cited**
U.S. PATENT DOCUMENTS
D467,853 S 12/2002 Warming
D854,472 S 7/2019 Luk
D856,236 S 8/2019 Buckingham
D874,365 S * 2/2020 Woodhouse D12/181
D878,261 S * 3/2020 Woodhouse D12/184
D881,092 S * 4/2020 Tonello D12/184



(56)

References Cited

U.S. PATENT DOCUMENTS

D929,280 S * 8/2021 Piaskowski D12/184
D930,533 S * 9/2021 Ruiz D12/184
D938,873 S * 12/2021 Yamaji D12/181
D940,025 S * 1/2022 Kaoud D12/184

OTHER PUBLICATIONS

Replace Ford Fenders. Before Dec. 1, 2017. Car ID. <https://www.carid.com/replace/fenders.html?urlId=89282090>.*

Ford Focus Fender Right . 2007. Painted Auto Body Parts. <https://paintedautobodyparts.com/ford-focus-fender-right-oem-5s4z16005aa-2005-2007.html>.*

Evan-.Fischer Front Fender. Jun. 22, 2016. Amazon. https://www.amazon.com/dp/B01HE6RY8S/ref=sspa_dk_detail_5?psc=1&pd_rd_i=B01HE6RY8S&pd_rd_w=xH8TY&pf_rd_p=9fd3ea7c-b77c-42ac-b43b-c872d3f37c38&pd_rd_wg=LSI9c&pf_rd_r=3ZVPFSBM8QQ32WGJ3MPV&pd_rd_r=8ccf06a2-b5ec-4f0e-8541-026e418718f5&smid=A1HUEAKMMEJT9B&spLa=ZW5jenlwd.*

* cited by examiner

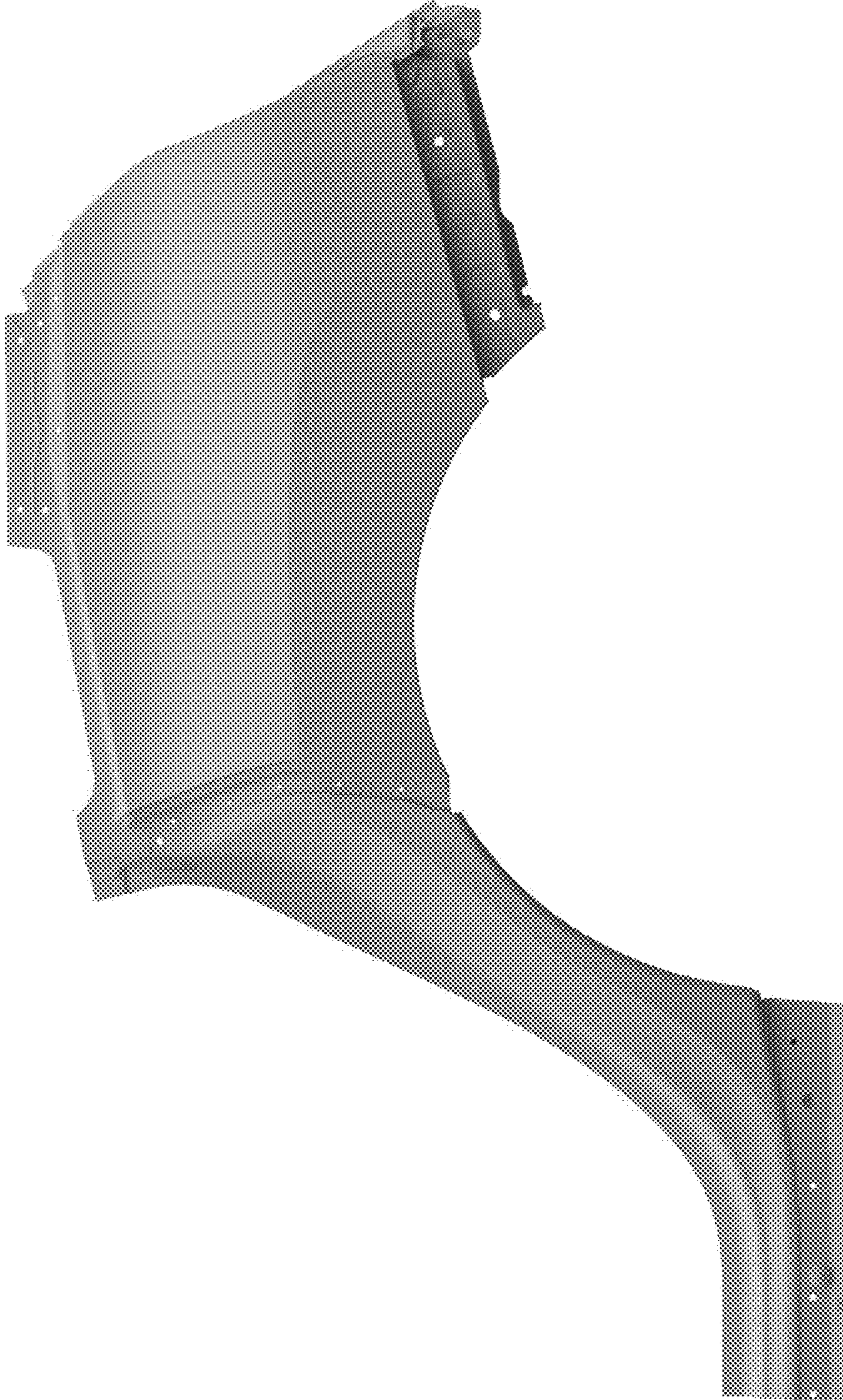


Fig. 1

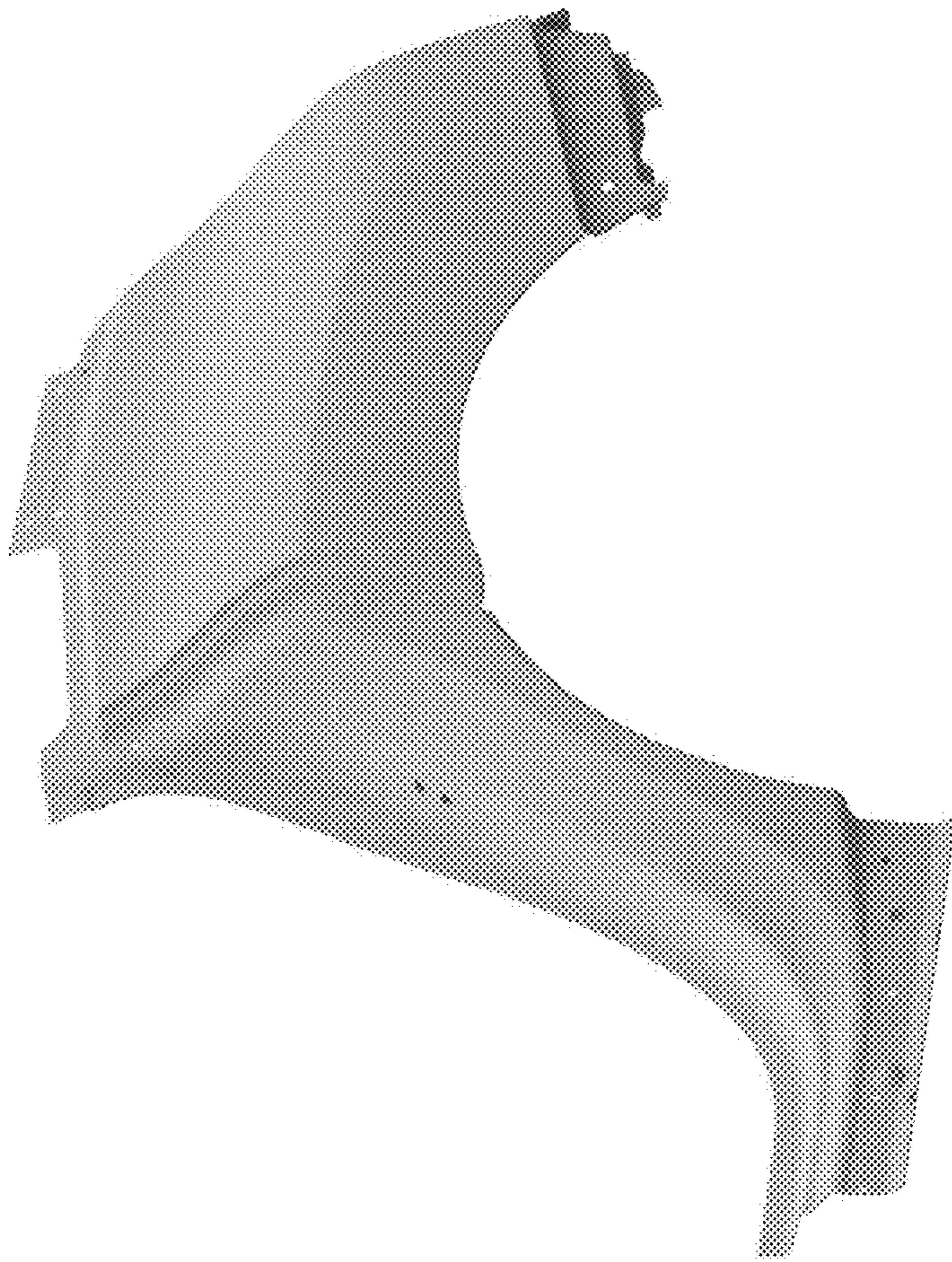


Fig. 2

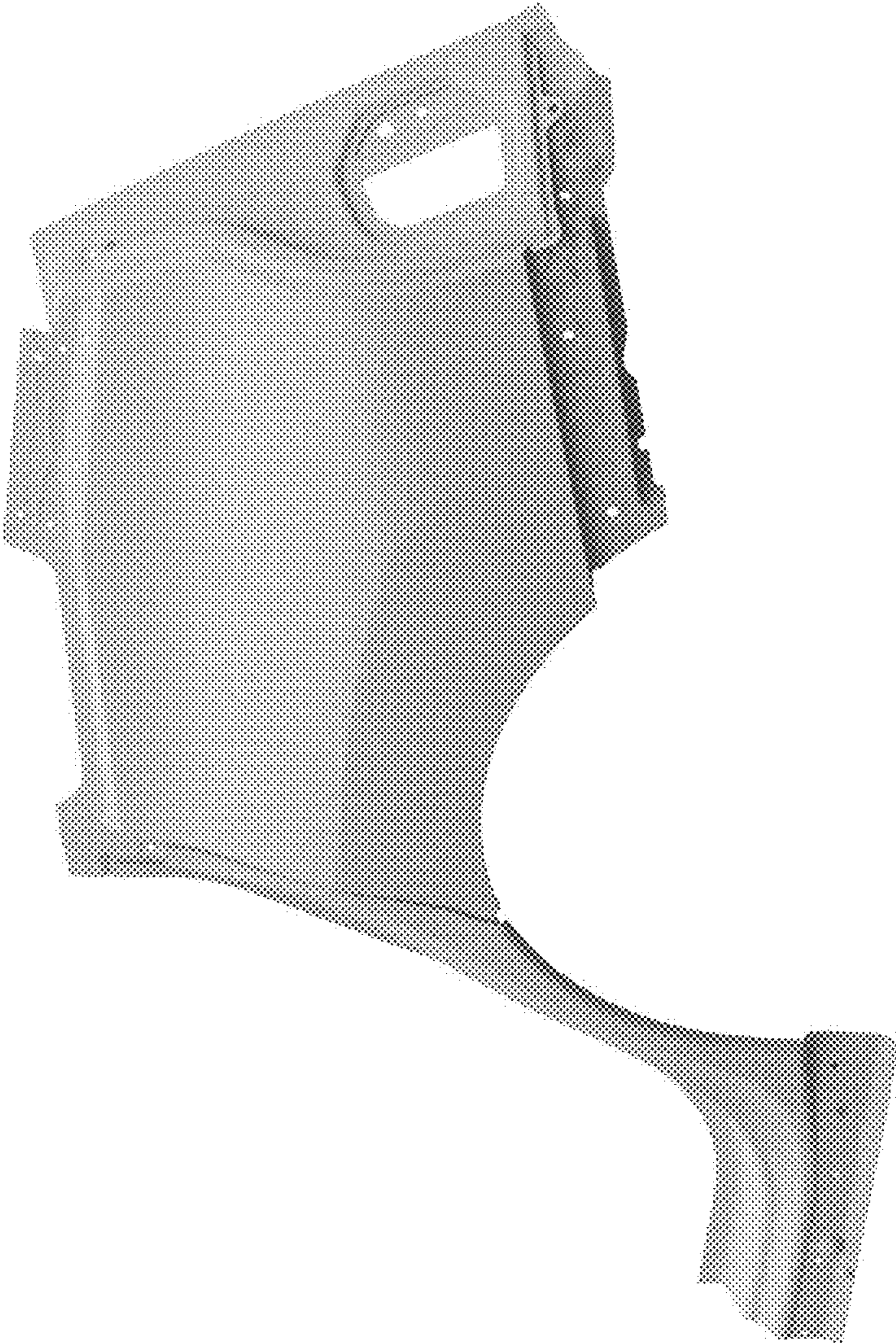


Fig. 3

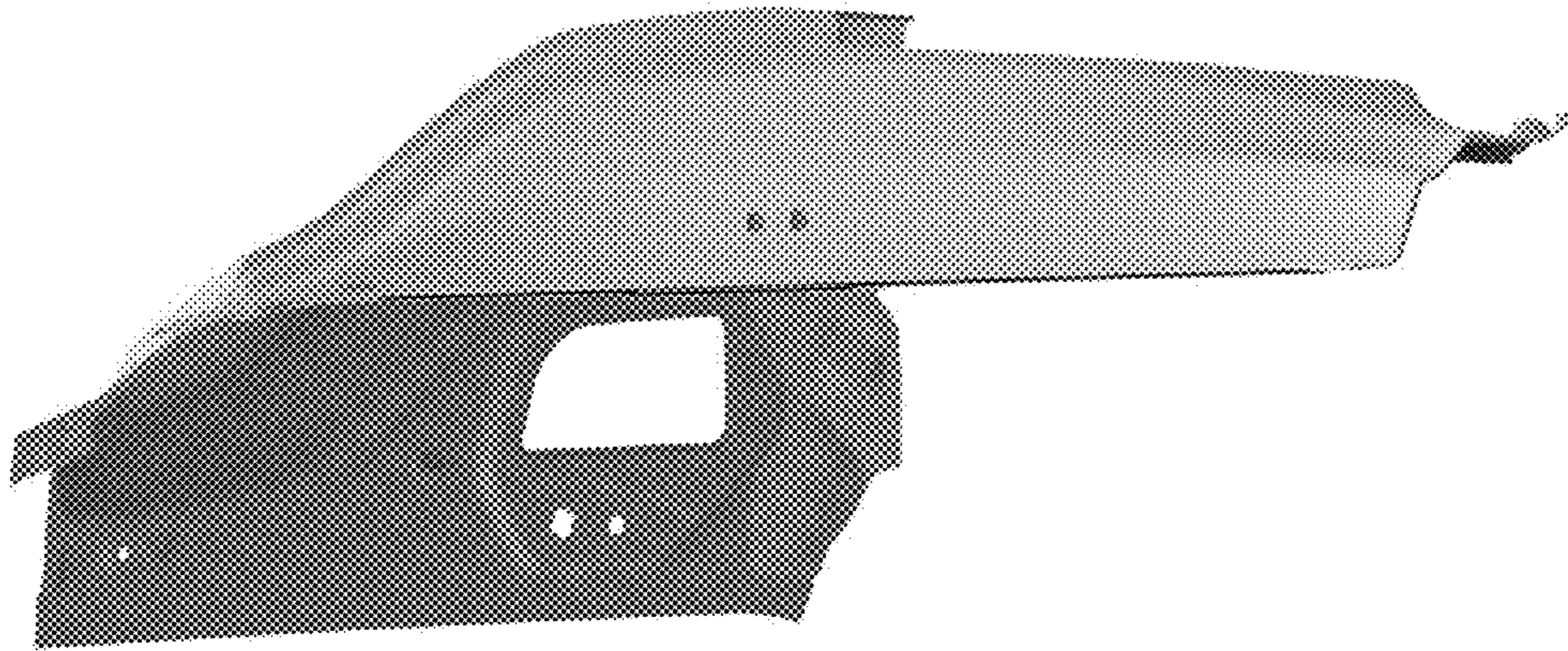


Fig. 4

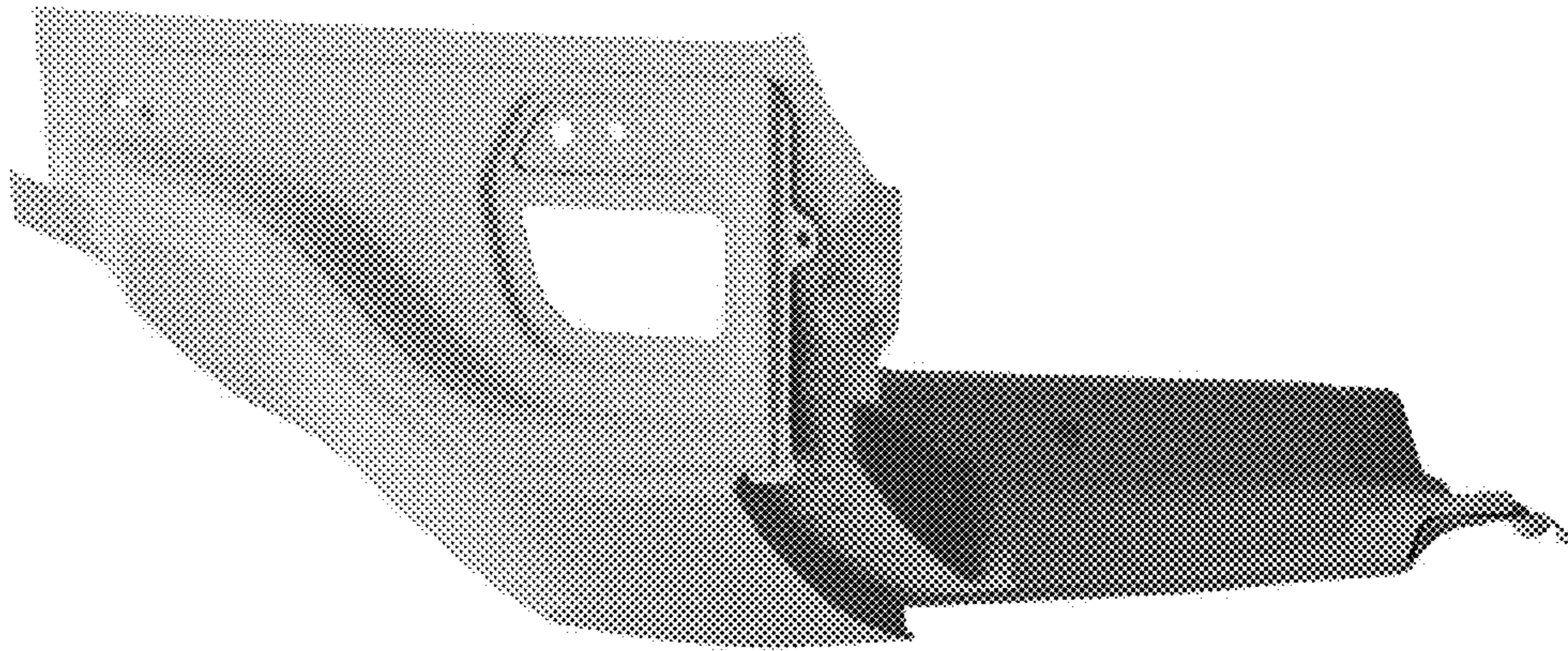


Fig. 5

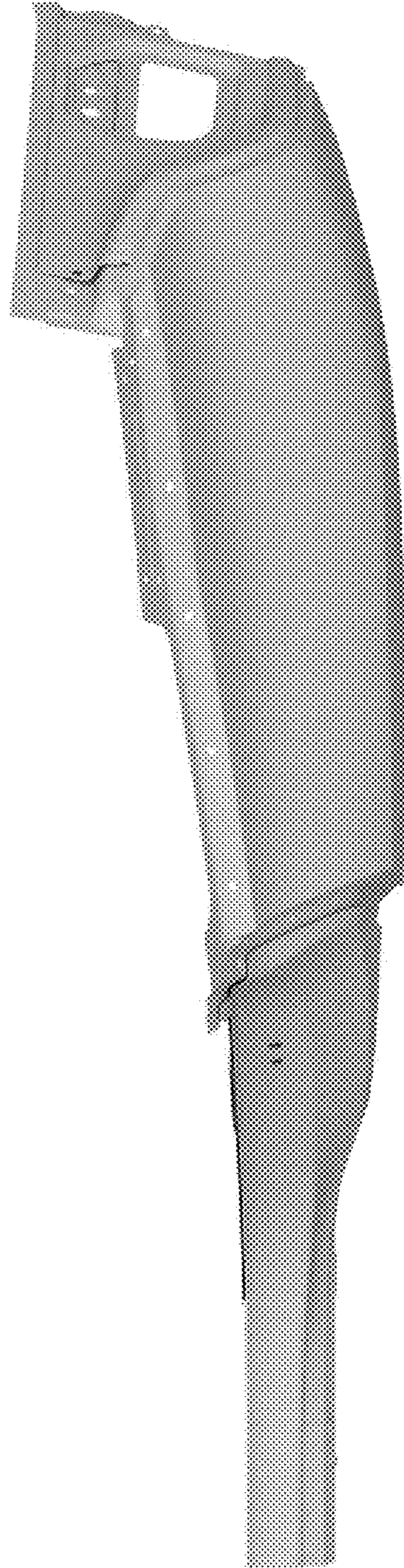


Fig. 6

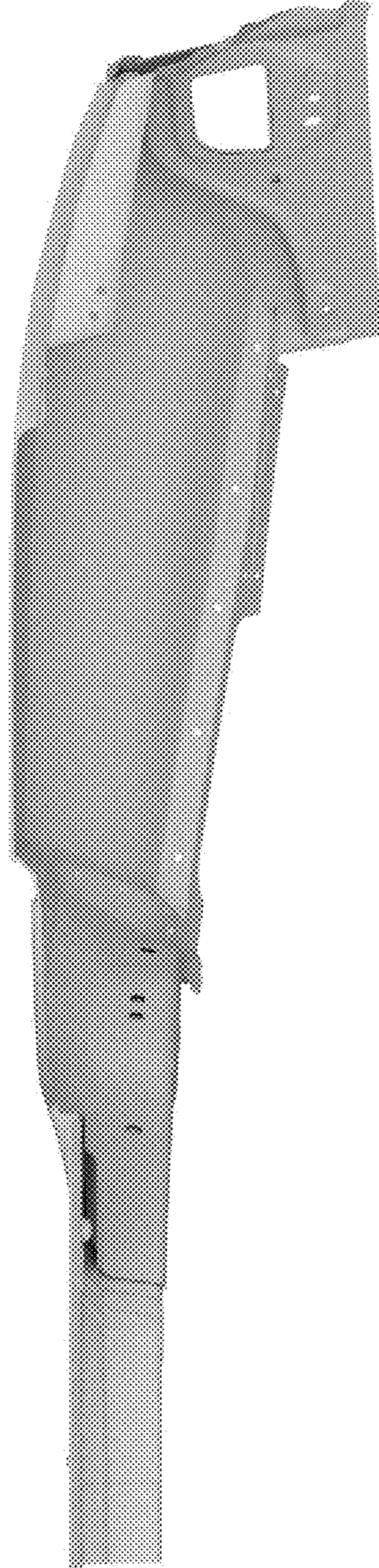


Fig. 7

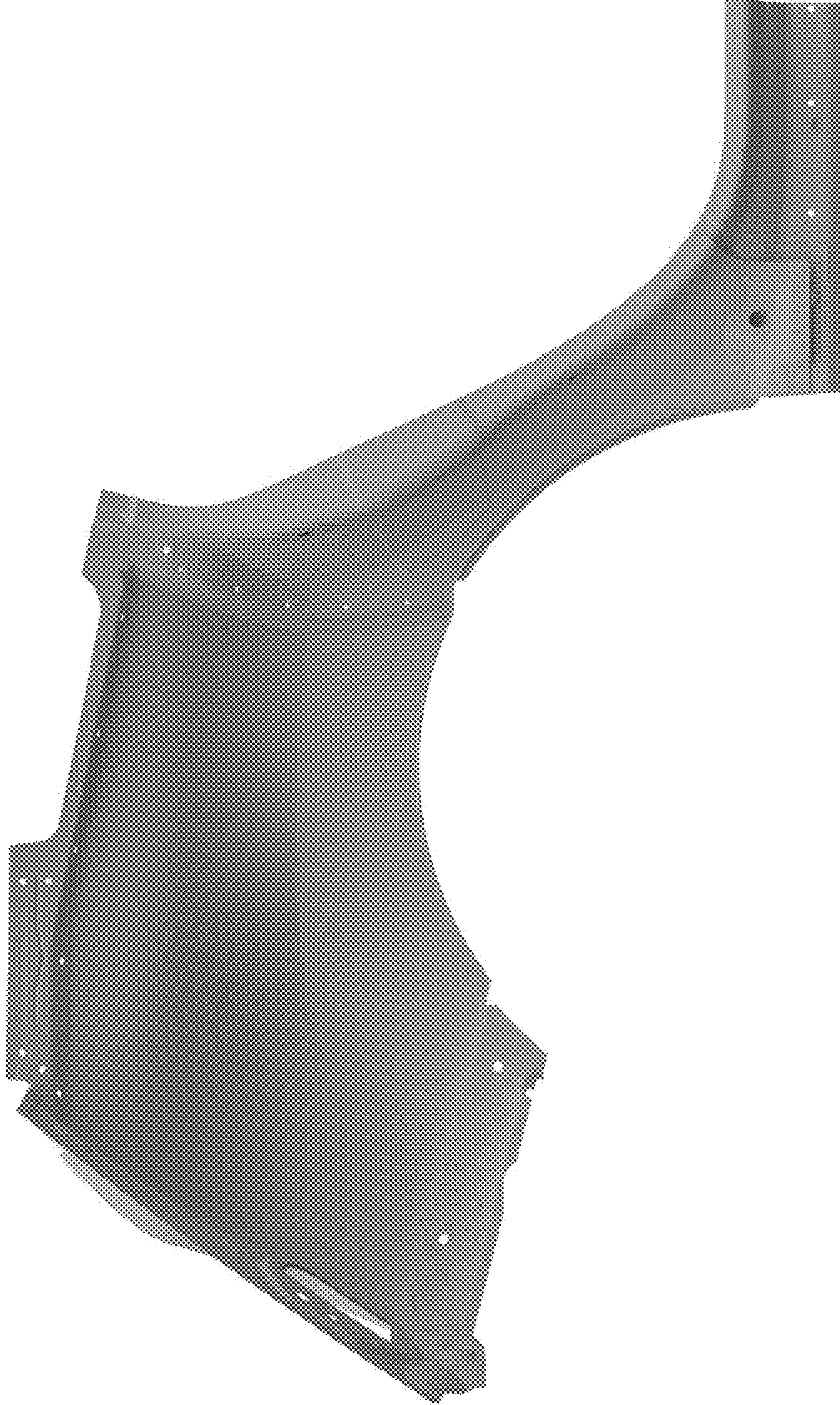


Fig. 8