



US00D953937S

(12) **United States Design Patent**
Beijer

(10) **Patent No.:** **US D953,937 S**
(45) **Date of Patent:** **** Jun. 7, 2022**

- (54) **BIKE**
- (71) Applicant: **Stilride AB**, Stockholm (SE)
- (72) Inventor: **Tue Beijer**, Saltsjö-boo (SE)
- (73) Assignee: **Stilride AB**, Stockholm (SE)
- (**) Term: **15 Years**
- (21) Appl. No.: **29/765,424**
- (22) Filed: **Jan. 8, 2021**

D931,760 S *	9/2021	Su	D12/111
D936,527 S *	11/2021	Okonsky	D12/111
D937,134 S *	11/2021	Lu	12/111
D940,008 S *	1/2022	Lou	D12/110
2020/0231241 A1 *	7/2020	Knitt	B62L 3/04

(30) **Foreign Application Priority Data**

Jul. 8, 2020 (EM) 008034102-0001

- (51) **LOC (13) Cl.** **12-11**
- (52) **U.S. Cl.**
USPC **D12/111**
- (58) **Field of Classification Search**
USPC D12/110, 111, 112, 114, 117, 119
CPC ... B62K 3/00; B62K 3/02; B62K 5/00; B62K
5/003; B62K 5/007; B62K 5/01; B62K
11/00; B62K 11/02; B62K 11/04; B62K
15/00; B62K 2202/00; B62J 37/00
See application file for complete search history.

(56) **References Cited**

U.S. PATENT DOCUMENTS

D578,042 S *	10/2008	Yang	D12/111
D685,683 S *	7/2013	Shaw	D12/111
D741,221 S *	10/2015	Haller	D12/111
D808,866 S *	1/2018	Zhukov	D12/110
D833,333 S *	11/2018	Yu	D12/111
D836,038 S *	12/2018	Huang	D12/111
D837,695 S *	1/2019	Xiao	D12/111
D850,982 S *	6/2019	Zhu	D12/111
D864,795 S *	10/2019	Waters	D12/110
D879,668 S *	3/2020	Wu	D12/111
D920,848 S *	6/2021	Kuehne	D12/110

OTHER PUBLICATIONS

“Stilride’s new electric scooter” Stillride., posted date Nov. 5, 2020 [online], [retrieved on Jan. 13, 2021]. Retrieved from the Internet <URL:https://thepack.news/stilrides-new-electric-scooter-is-folded-from-stainless-steel-sheets-with-industrial-origami/> (Year: 2020).*

“Futuristic E-bike Hubless” Reevo., posted date Oct. 29, 2020 [online], [retrieved on Jan. 13, 2021]. Retrieved from the Internet <URL:https://www.yankodesign.com/2020/10/29/this-futuristic-e-bike-comes-with-a-sleek-design-featuring-hubless-wheels-and-a-fingerprint-lock/> (Year: 2020).*

(Continued)

Primary Examiner — Darlington Ly
Assistant Examiner — Nasim Abdulaziz Ali
 (74) *Attorney, Agent, or Firm* — Alonzo & Associates;
 Arlyn Alonzo

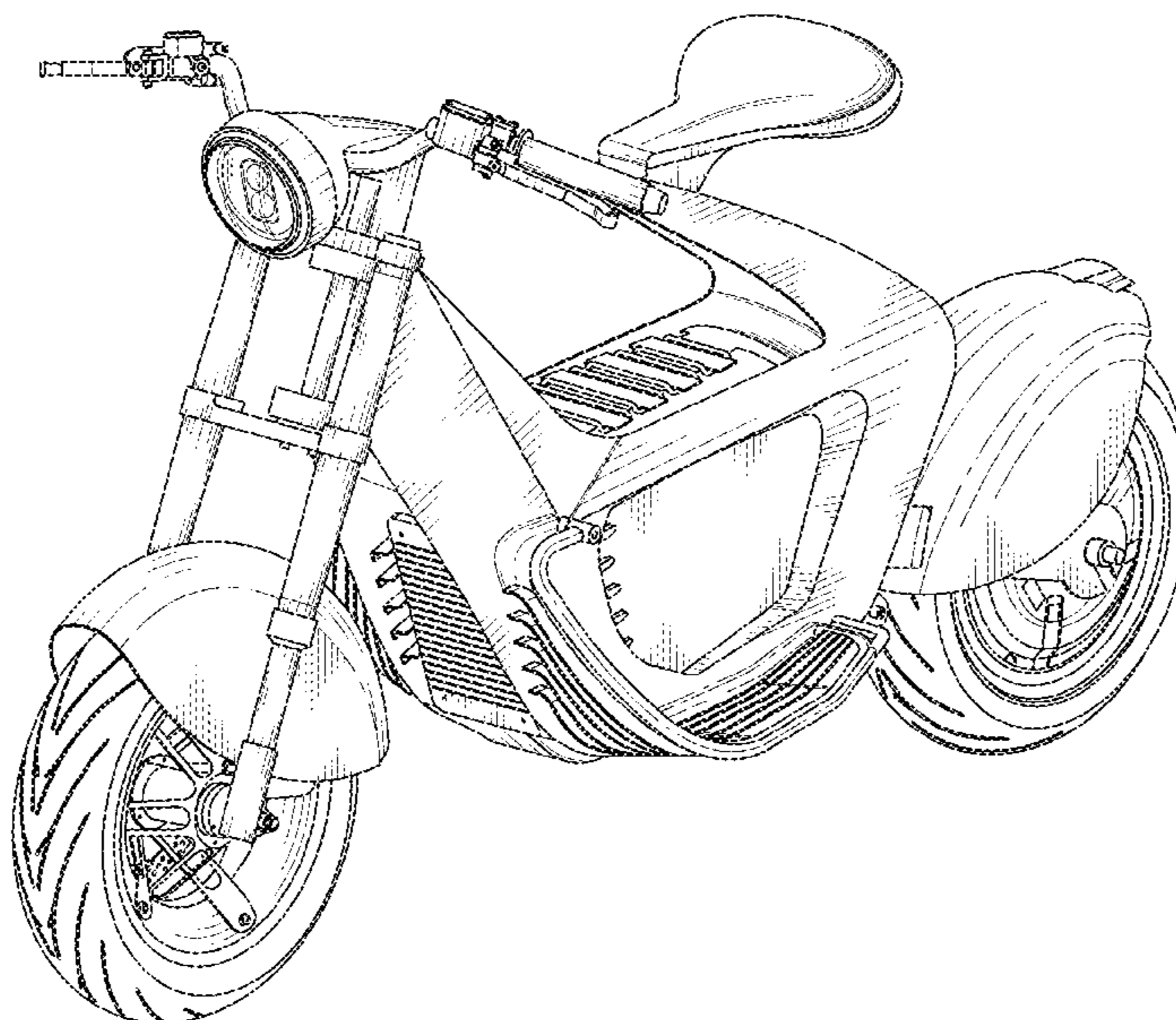
(57) **CLAIM**

The ornamental design for a bike, as shown and described.

DESCRIPTION

FIG. 1 is a perspective view of a bike embodying my new design;
 FIG. 2 is a front elevation view thereof;
 FIG. 3 is a rear elevation view thereof;
 FIG. 4 is a right side elevation view thereof;
 FIG. 5 is a left side elevation view thereof;
 FIG. 6 is a top plan view thereof; and,
 FIG. 7 is a bottom plan view thereof.

1 Claim, 7 Drawing Sheets



(56)

References Cited

OTHER PUBLICATIONS

“Stilride Introduces Sheet Metal Origami Electric Scooter” Stilride., posted date Nov. 9, 2020 [online], [retrieved on Jan. 13, 2021]. Retrieved from the Internet <URL:<https://www.rideapart.com/news/453409/stilride-metal-origami-electric-scooter-concept/>> (Year: 2020).*

“Stilride SUS1 scooter” Stilride., posted date Dec. 2, 2020 [online], [retrieved on Jan. 13, 2021]. Retrieved from the Internet <URL:<https://news.cision.com/semcon/i/stilride-sus1-scooter,c2856026>> (Year: 2020).*

Stilride Design photo (3 pages).

* cited by examiner

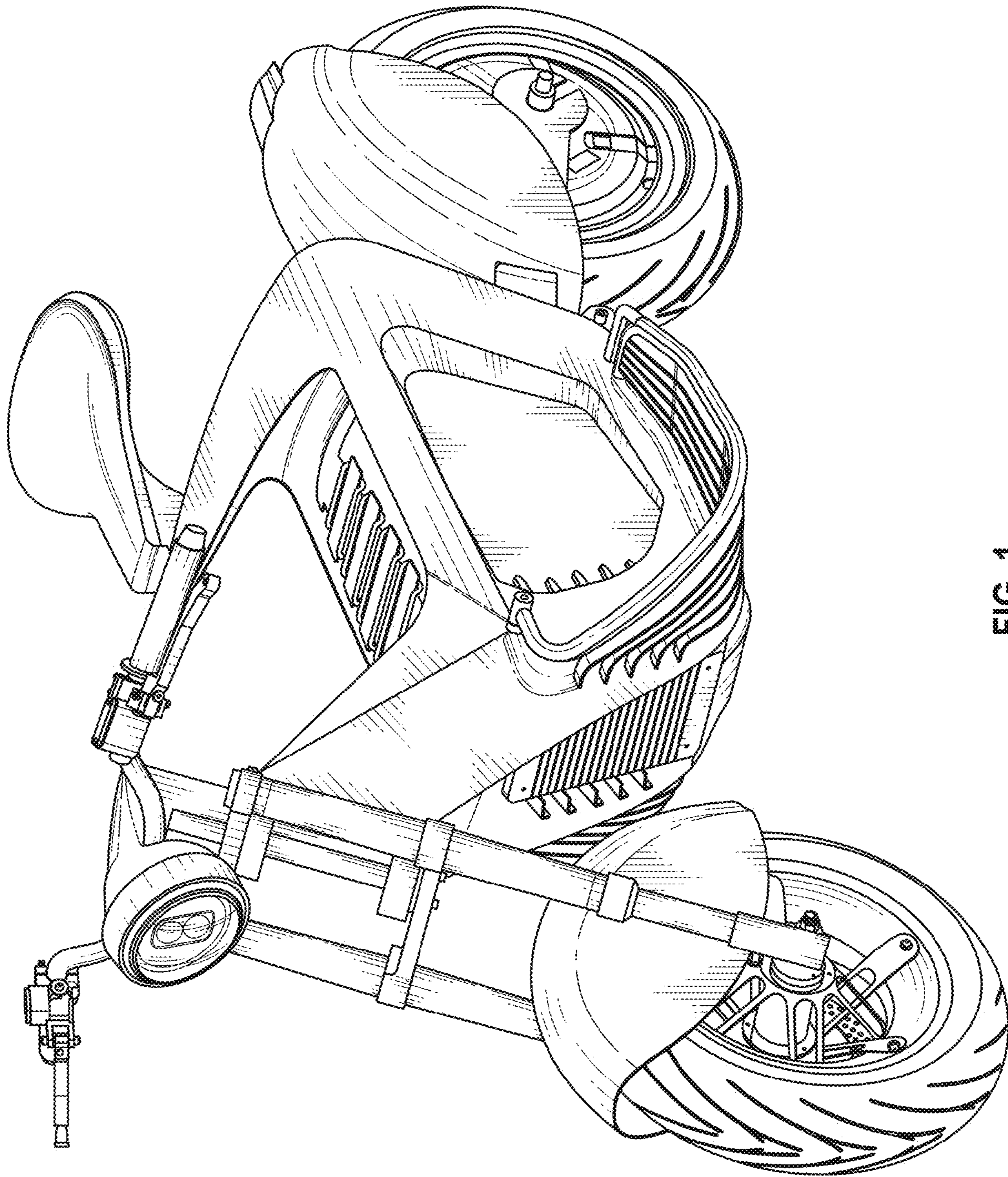


FIG. 1

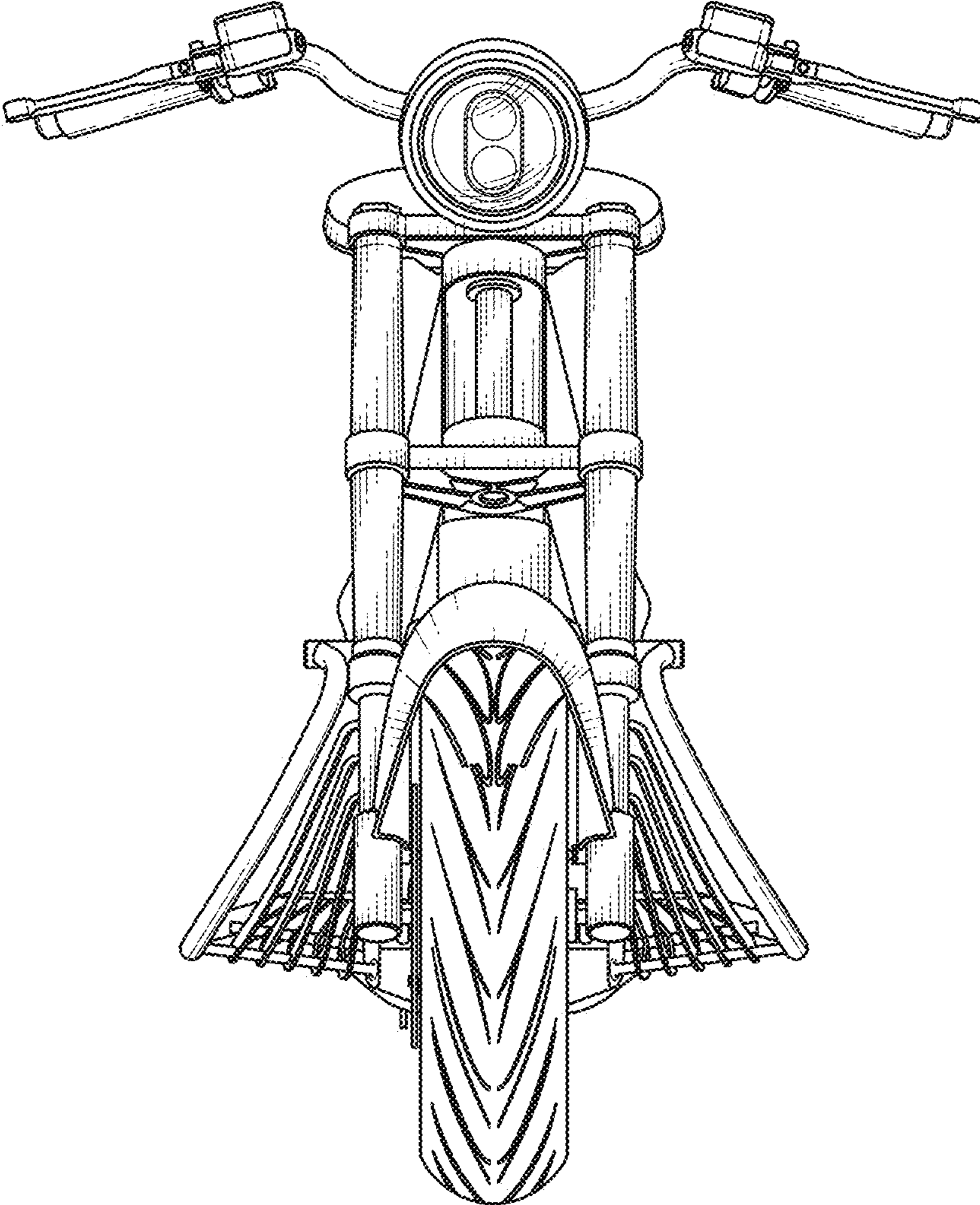


FIG. 2

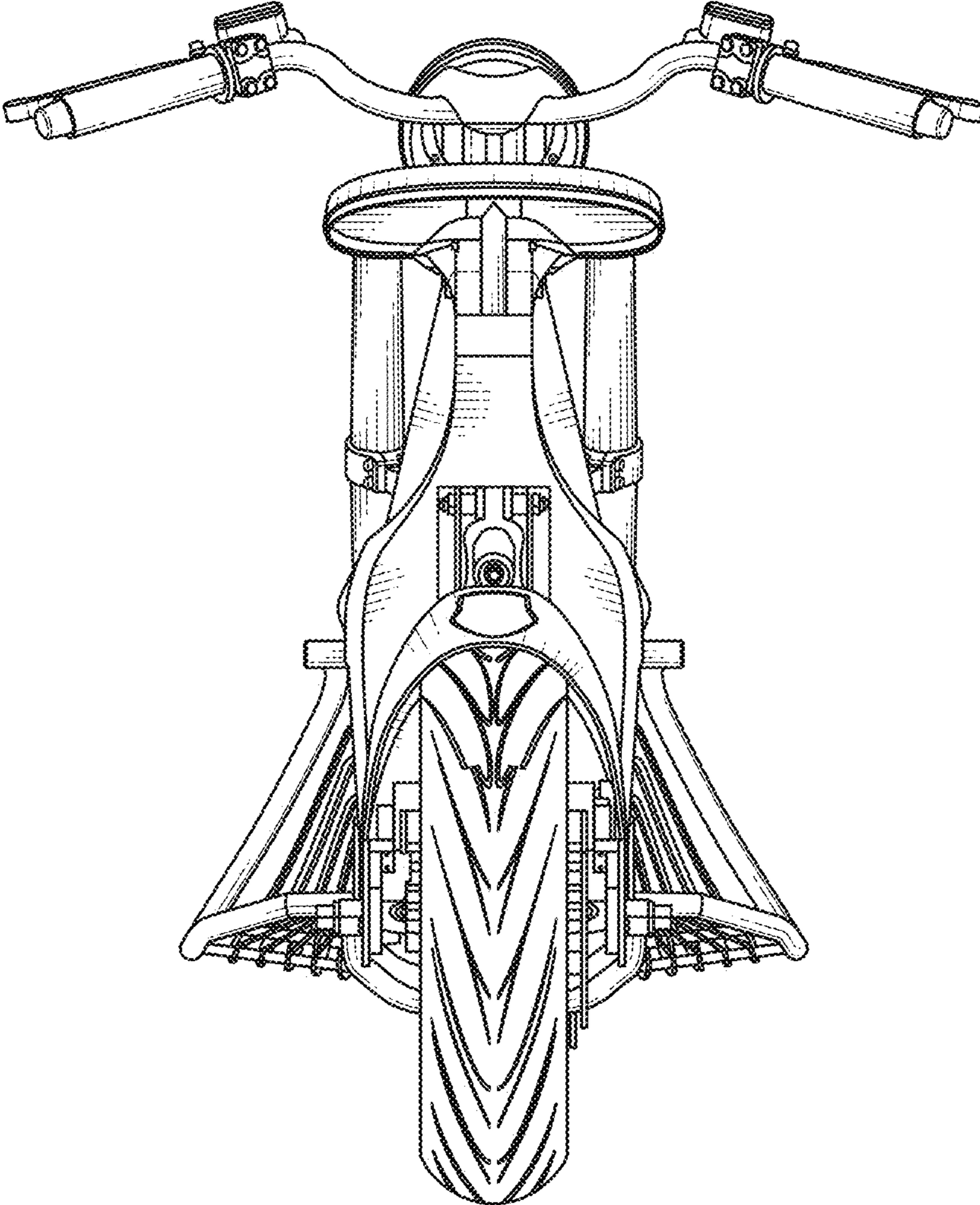


FIG. 3

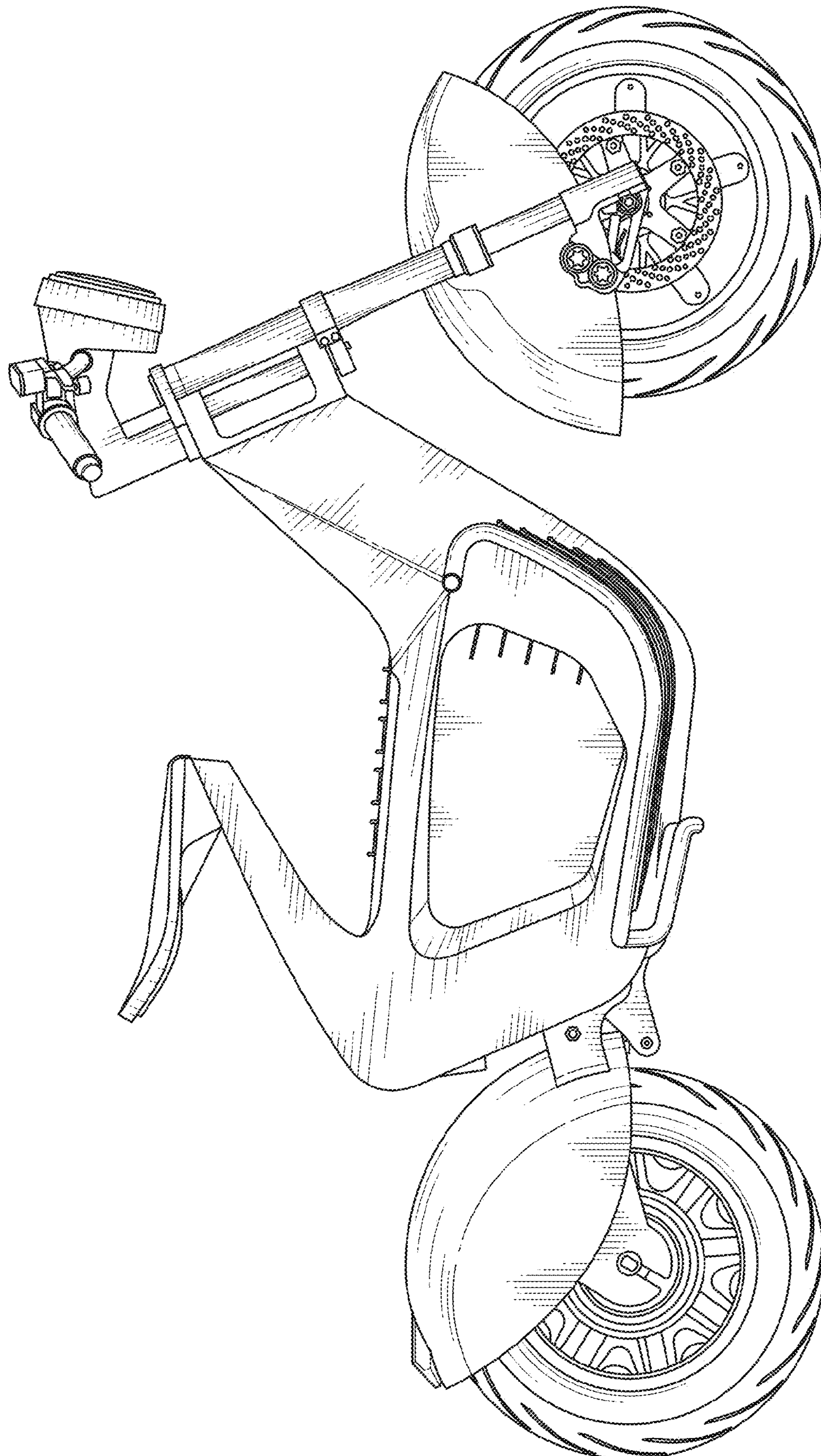


FIG. 4

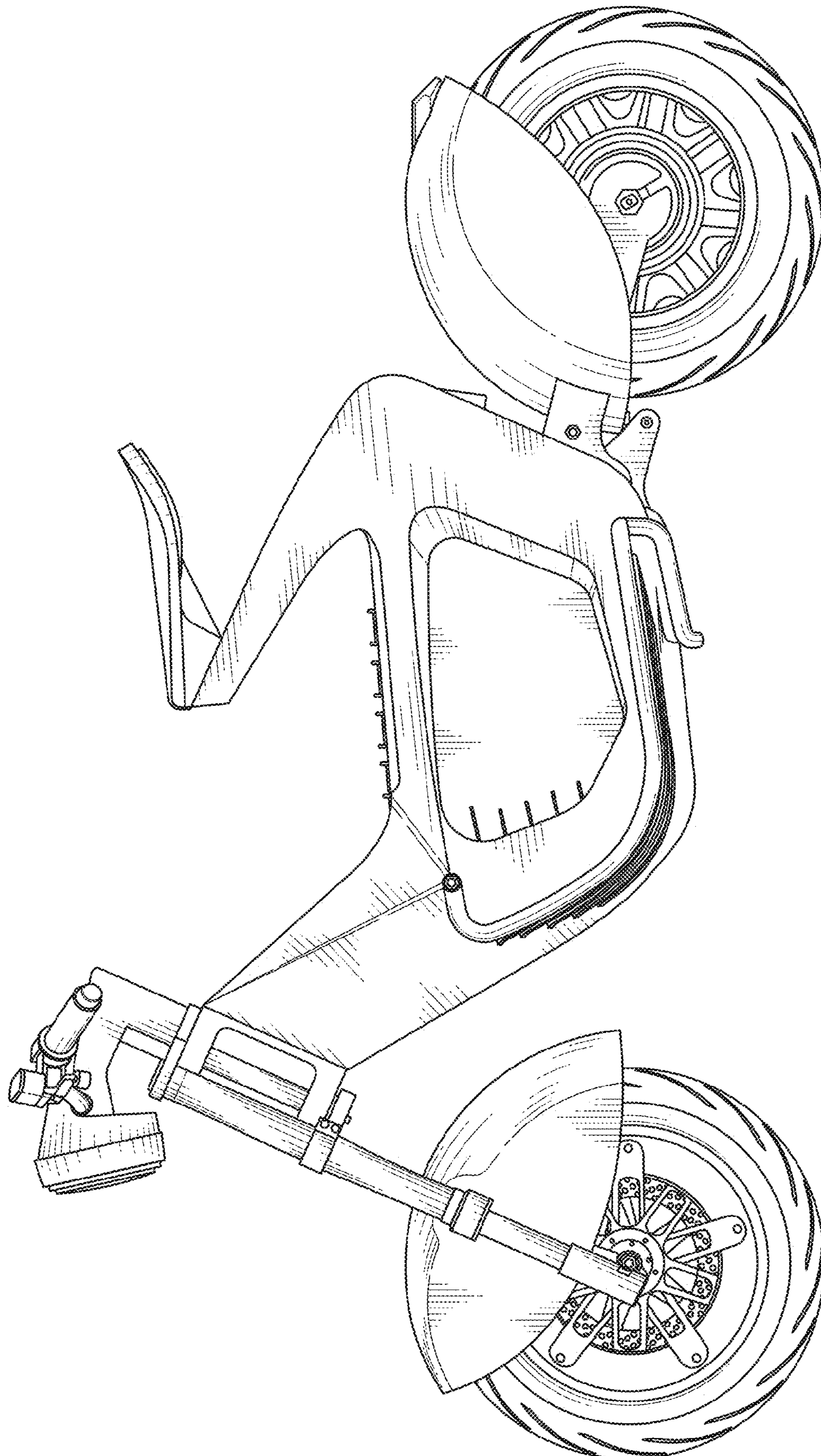


FIG. 5

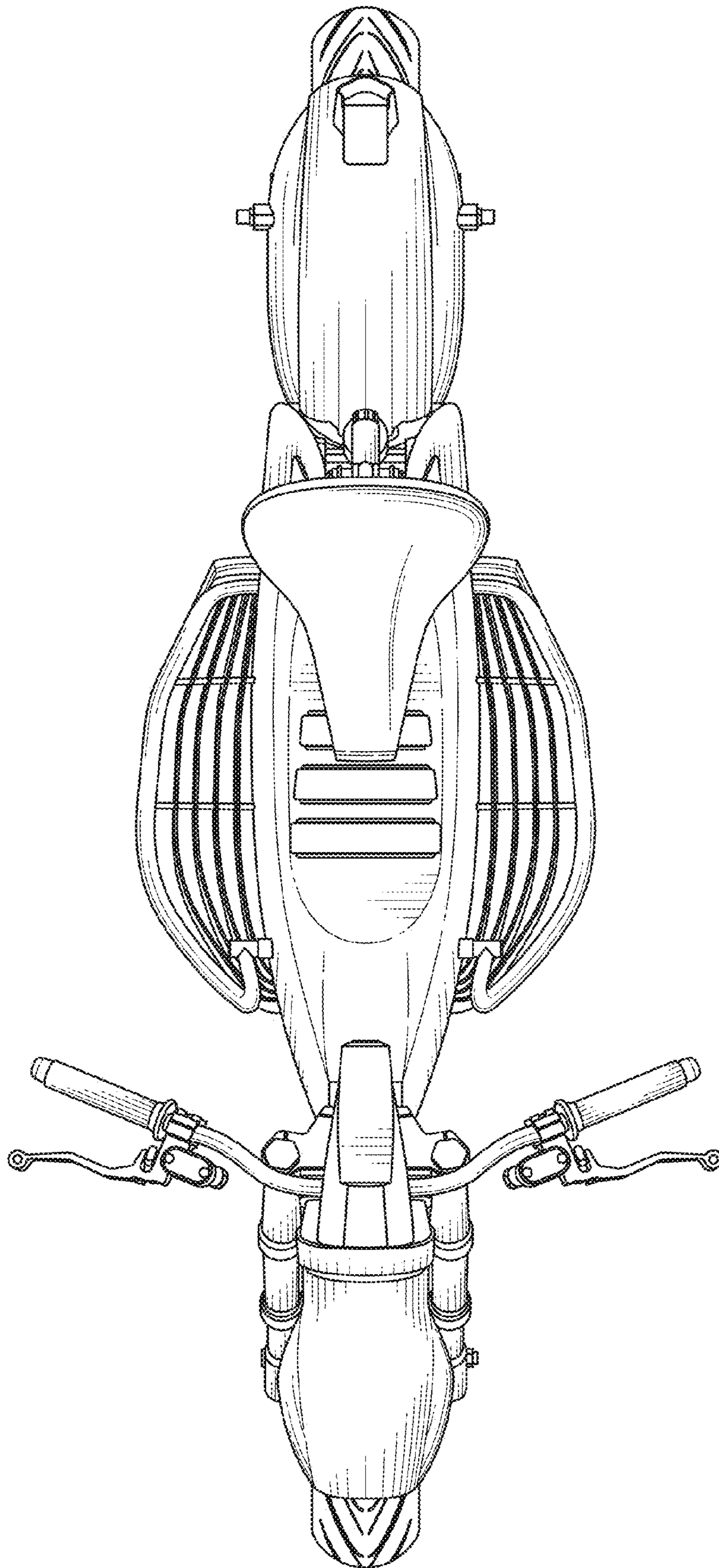


FIG. 6

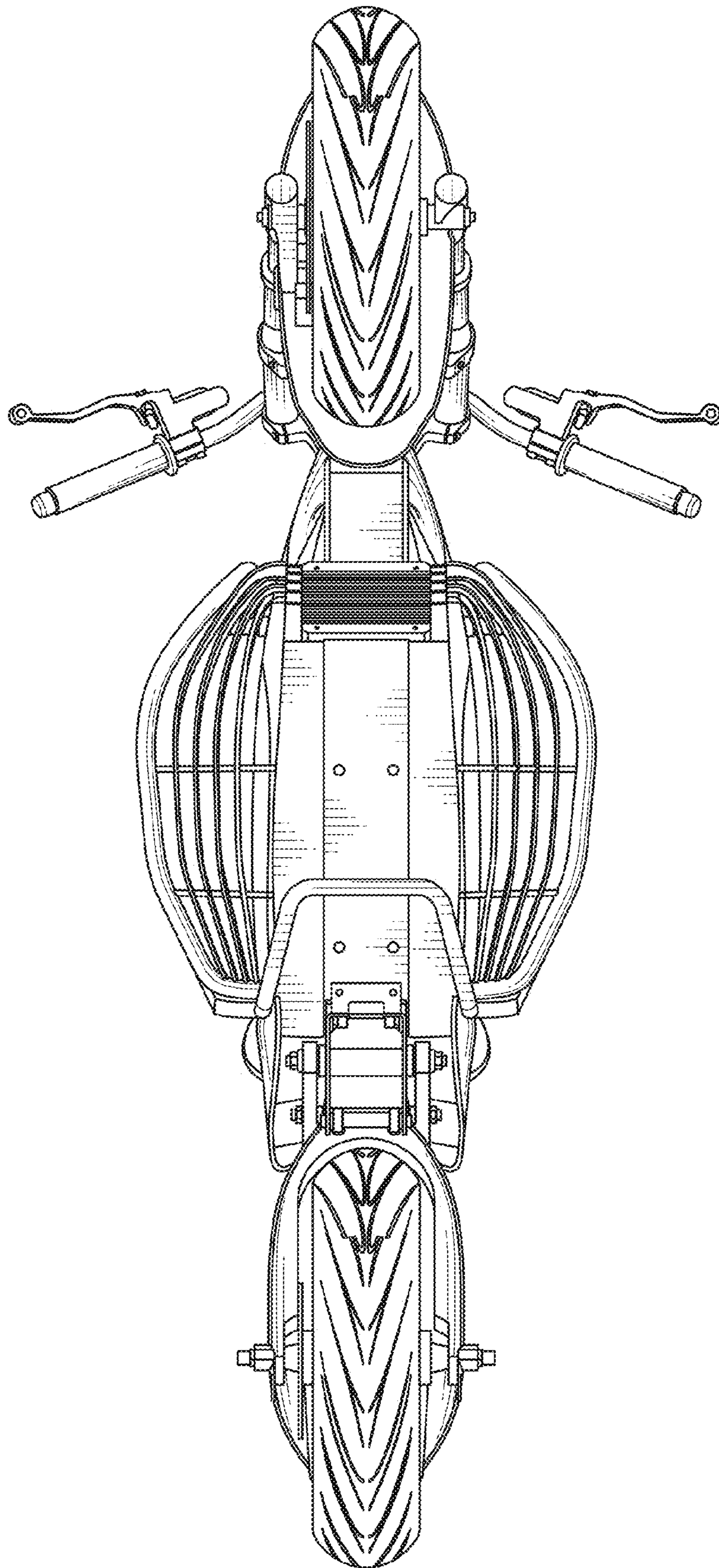


FIG. 7