



US00D953936S

(12) **United States Design Patent**  
**Zhu et al.**

(10) **Patent No.:** **US D953,936 S**  
(45) **Date of Patent:** **\*\* Jun. 7, 2022**

(54) **ELECTRIC BICYCLE**

(71) Applicant: **Zhejiang Taotao Vehicles Co., Ltd.**,  
Lishui (CN)

(72) Inventors: **Haibo Zhu**, Binhai (CN); **Jianbing Wu**, Chibi (CN); **Xiangle Guo**, Jinhua (CN); **Matao Cao**, Jinhua (CN); **Hongxia Zhu**, Lishui (CN)

(73) Assignee: **Zhejiang Taotao Vehicles Co., Ltd.**,  
Lishui (CN)

(\*\*) Term: **15 Years**

(21) Appl. No.: **29/686,793**

(22) Filed: **Apr. 8, 2019**

(30) **Foreign Application Priority Data**

Oct. 11, 2018 (CN) ..... 201830566974.5

(51) **LOC (13) Cl.** ..... **12-11**

(52) **U.S. Cl.**  
USPC ..... **D12/111**

(58) **Field of Classification Search**  
USPC ..... D12/107, 108, 110, 111, 112, 113, 114,  
D12/117, 118, 119, 122, 126  
CPC ..... B62K 11/00; B62K 11/02; B62K 11/04;  
B62K 11/06; B62K 11/08; B62K 11/10;  
B62K 11/12; B62K 11/14; B62K 5/00;  
B62K 5/003; B62K 5/007; B62K 19/00;  
B62K 19/02; B62K 19/18; B62K 19/06;  
B62K 15/00; B62K 15/006

See application file for complete search history.

(56) **References Cited**

**U.S. PATENT DOCUMENTS**

5,934,401 A \* 8/1999 Mayer ..... B62M 6/60  
180/220  
D473,495 S \* 4/2003 Niitsu ..... D12/111  
D487,234 S \* 3/2004 Chen ..... D12/111

D498,438 S \* 11/2004 Ying ..... D12/111  
D500,465 S \* 1/2005 Gunter ..... D12/111  
7,150,339 B2 \* 12/2006 Liao ..... B62M 7/12  
180/221  
D547,702 S \* 7/2007 Tabuchi ..... D12/111  
(Continued)

**FOREIGN PATENT DOCUMENTS**

EP 2783966 A1 \* 10/2014 ..... B62K 15/006  
JP D2000-31150 \* 10/2000  
(Continued)

**OTHER PUBLICATIONS**

Amazon, City eBike Electric Bicycle Motor Conversion Kit, posted Jan. 29, 2018, [online], [visited Mar. 10, 2021]. Internet, <URL: <https://www.amazon.de/dp/B079FTMWGJ/ref>> (Year: 2018).\*  
(Continued)

*Primary Examiner* — Samantha Wood

(74) *Attorney, Agent, or Firm* — Bayramoglu Law Offices LLC

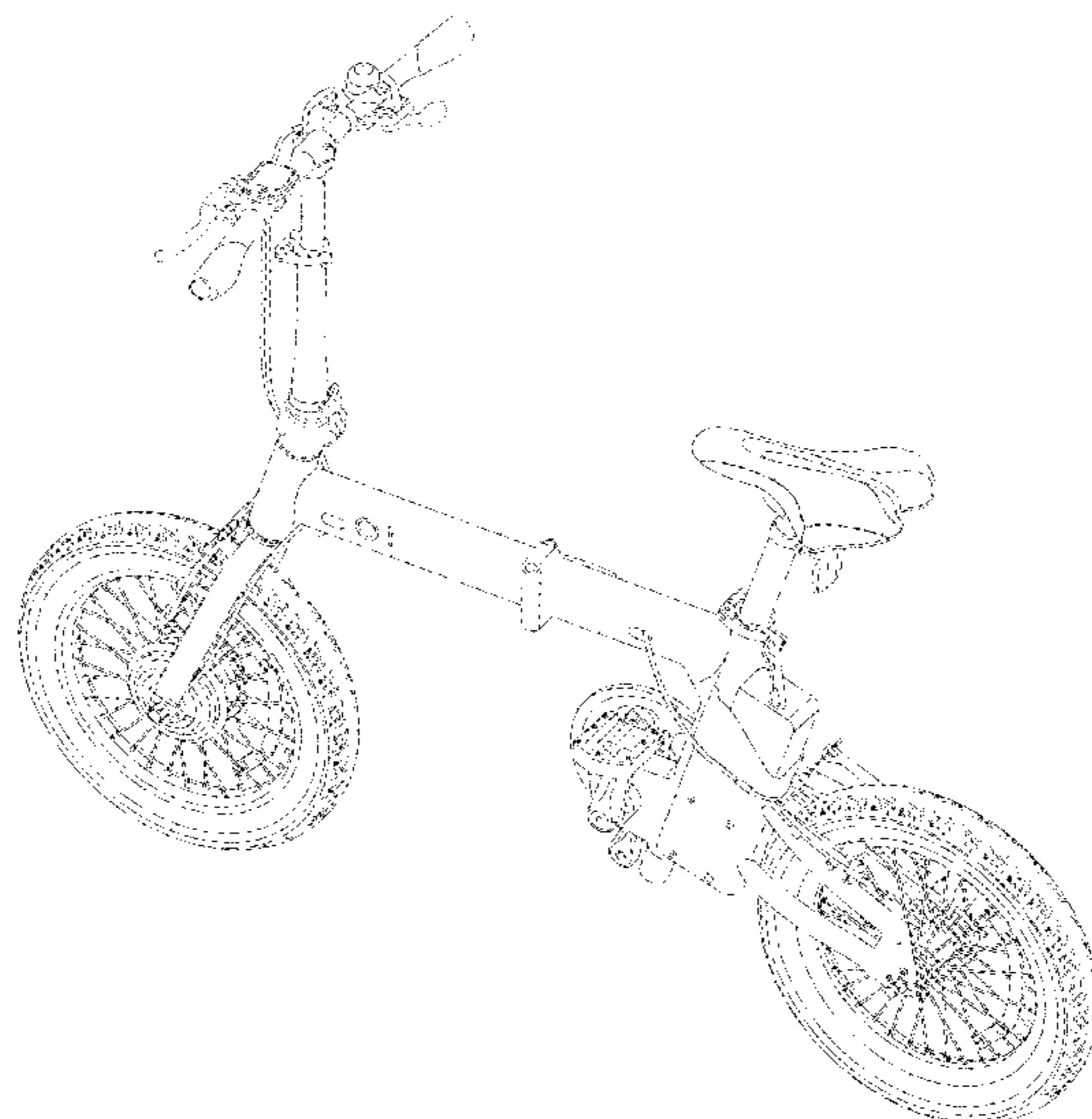
(57) **CLAIM**

The ornamental design for an electric bicycle, as shown and described.

**DESCRIPTION**

FIG. 1 is a perspective view of an electric bicycle according to our new design;  
FIG. 2 is a left side elevation view thereof;  
FIG. 3 is a right side elevation view thereof;  
FIG. 4 is a front elevation view thereof;  
FIG. 5 is a rear elevation view thereof;  
FIG. 6 is a top plan view thereof; and,  
FIG. 7 is a bottom plan view thereof.  
The broken lines are included for the purpose of showing portions of the electric bicycle and form no part of the claimed design.

**1 Claim, 7 Drawing Sheets**



(56)

**References Cited**

U.S. PATENT DOCUMENTS

D622,638 S \* 8/2010 Uimonen ..... D12/111  
D727,215 S \* 4/2015 Yang ..... D12/111  
D756,264 S \* 5/2016 Thompson ..... D12/11  
D807,233 S \* 1/2018 Zhang ..... D12/111  
2017/0253141 A1 \* 9/2017 Hsu ..... H01M 10/625

FOREIGN PATENT DOCUMENTS

KR 3020180029032 \* 6/2018  
KR 3020180029410 \* 6/2018

OTHER PUBLICATIONS

Amazon, Zundapp Z101 Folding E-Bike, posted Jan. 13, 2019, [online], [visited Mar. 10, 2021]. Internet, <URL: <https://www.amazon.de/Z%C3%BCndapp-Folding-20-Inch-Electric-StVZO-Approved/dp/B07MCT2WCM/ref>> (Year: 2019).\*

\* cited by examiner

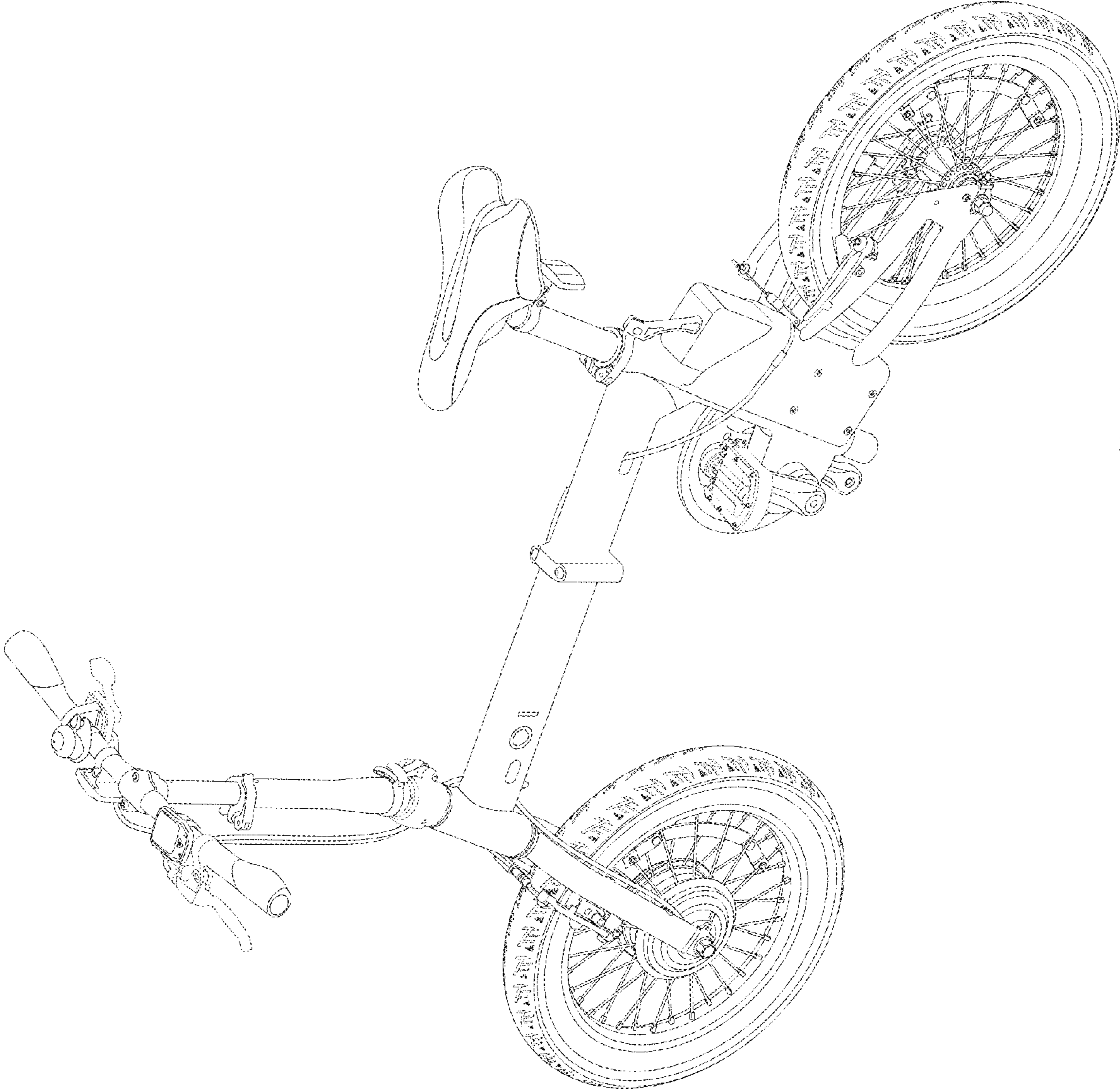


FIG. 1



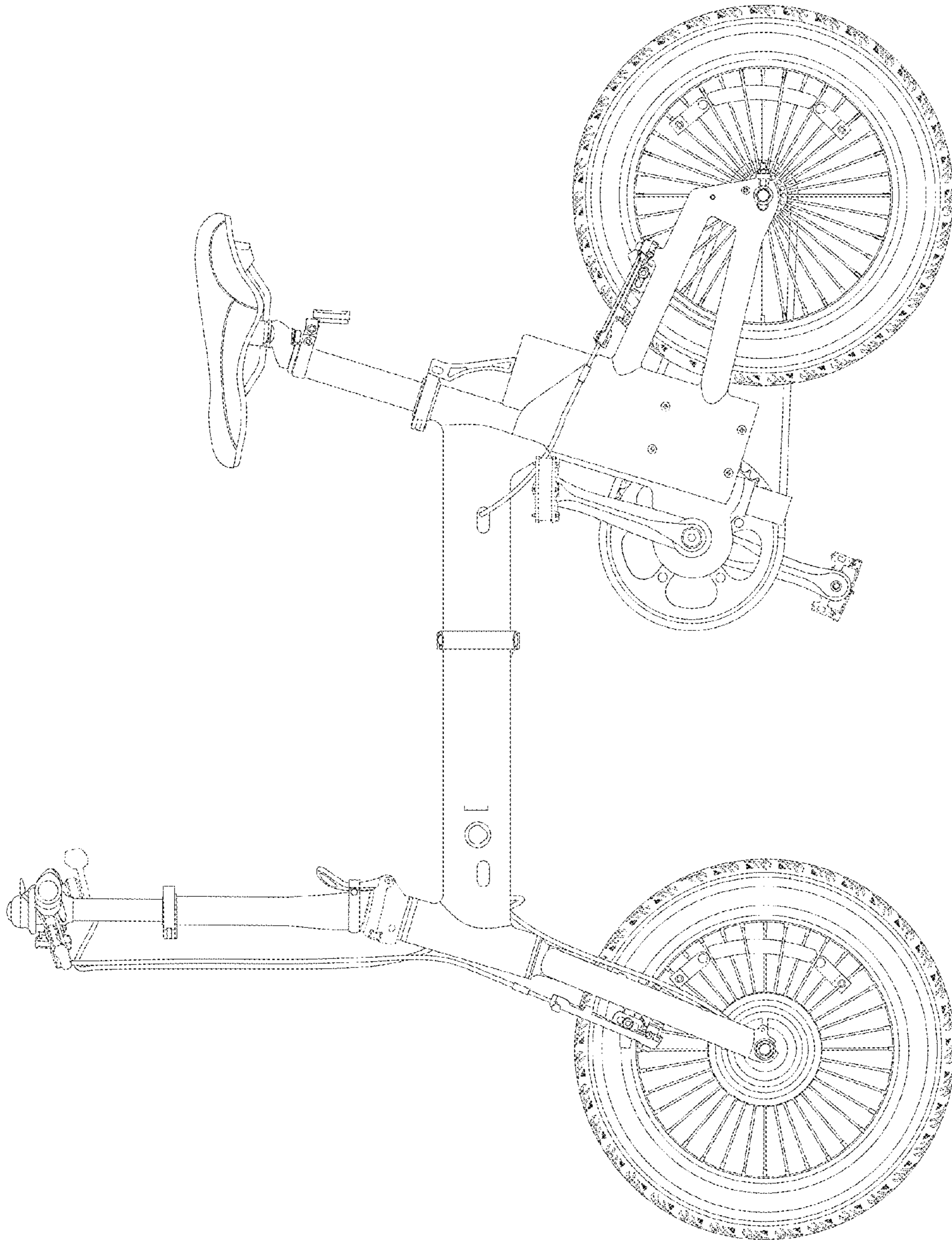


FIG. 2

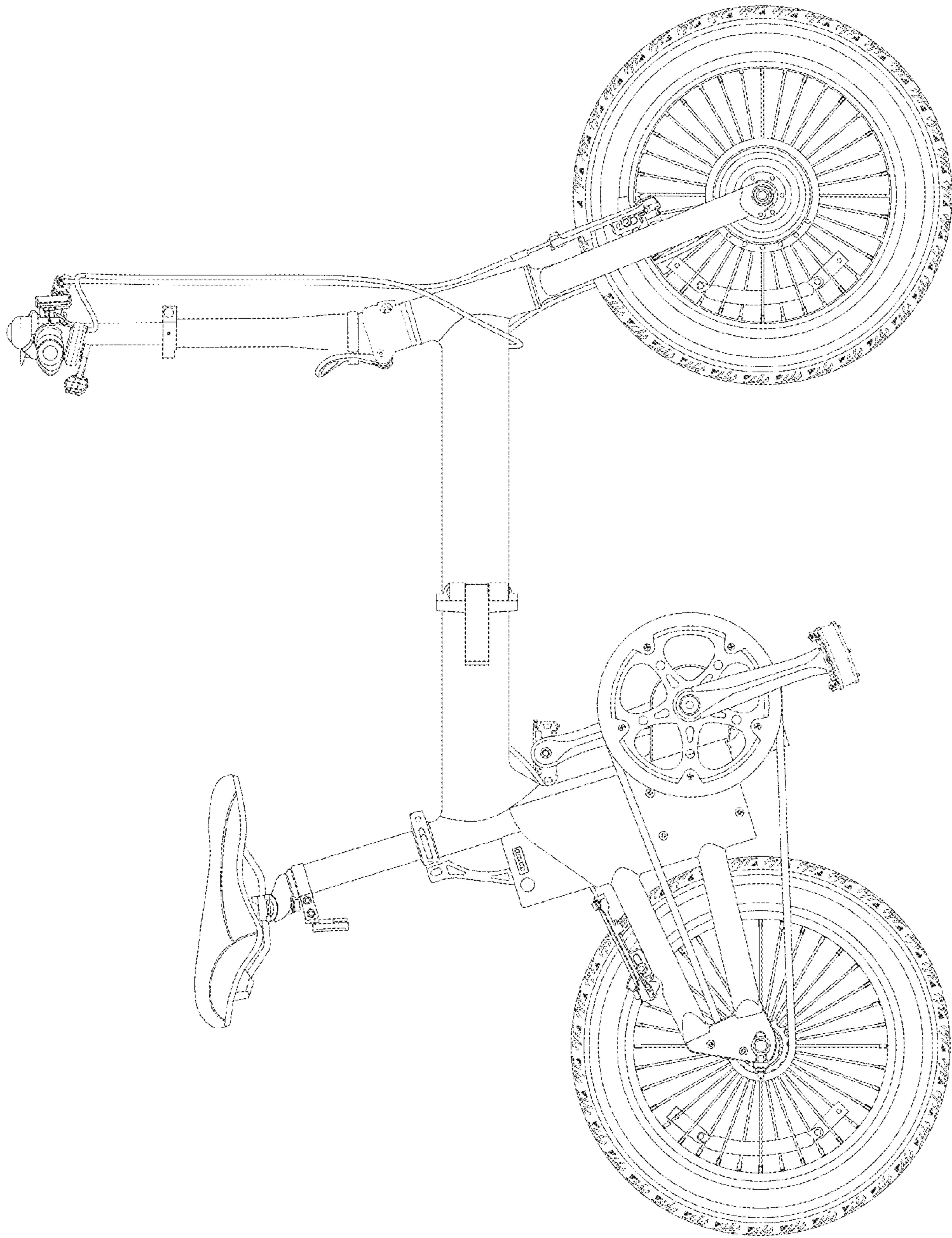


FIG. 3

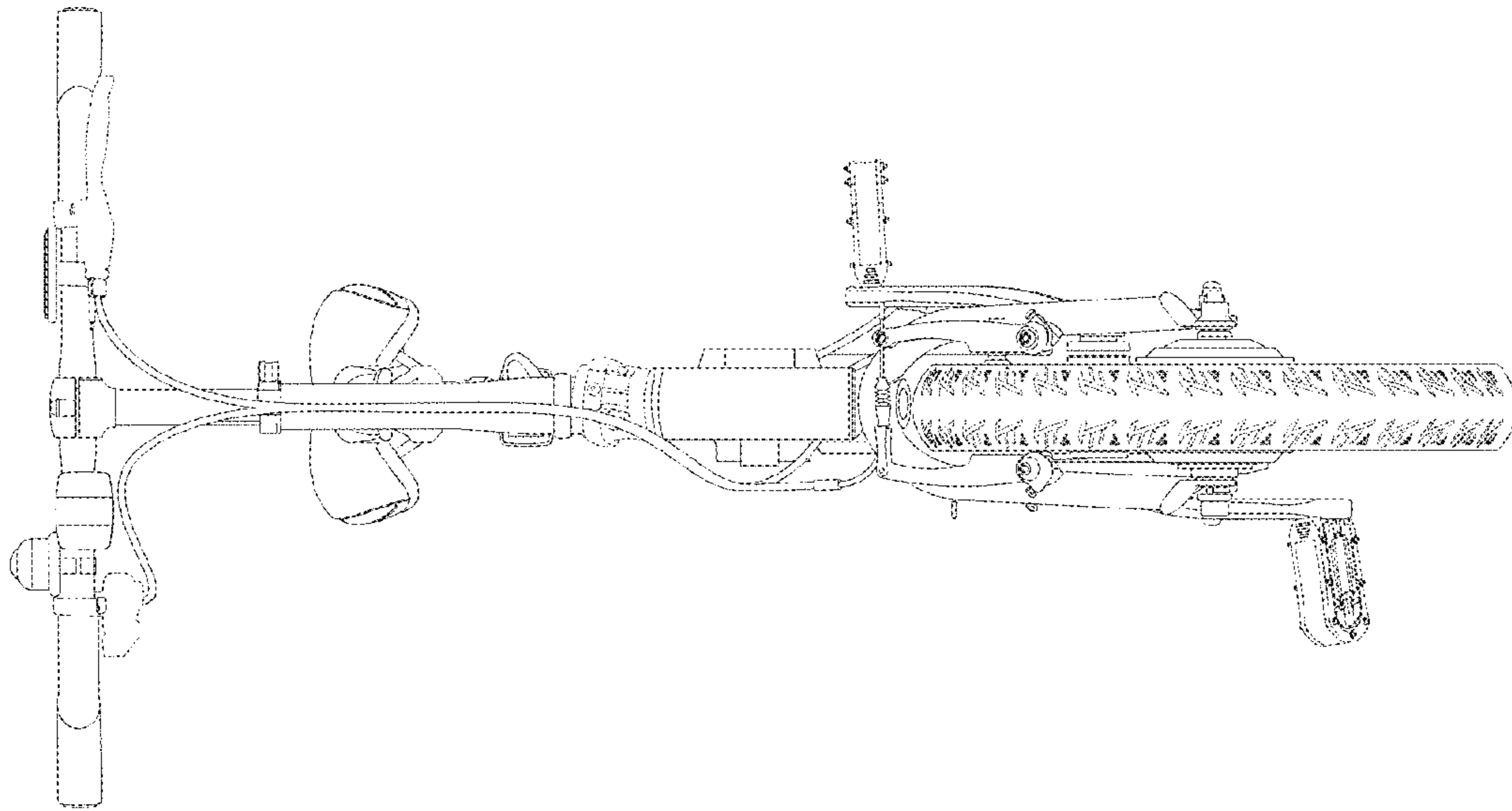


FIG. 4

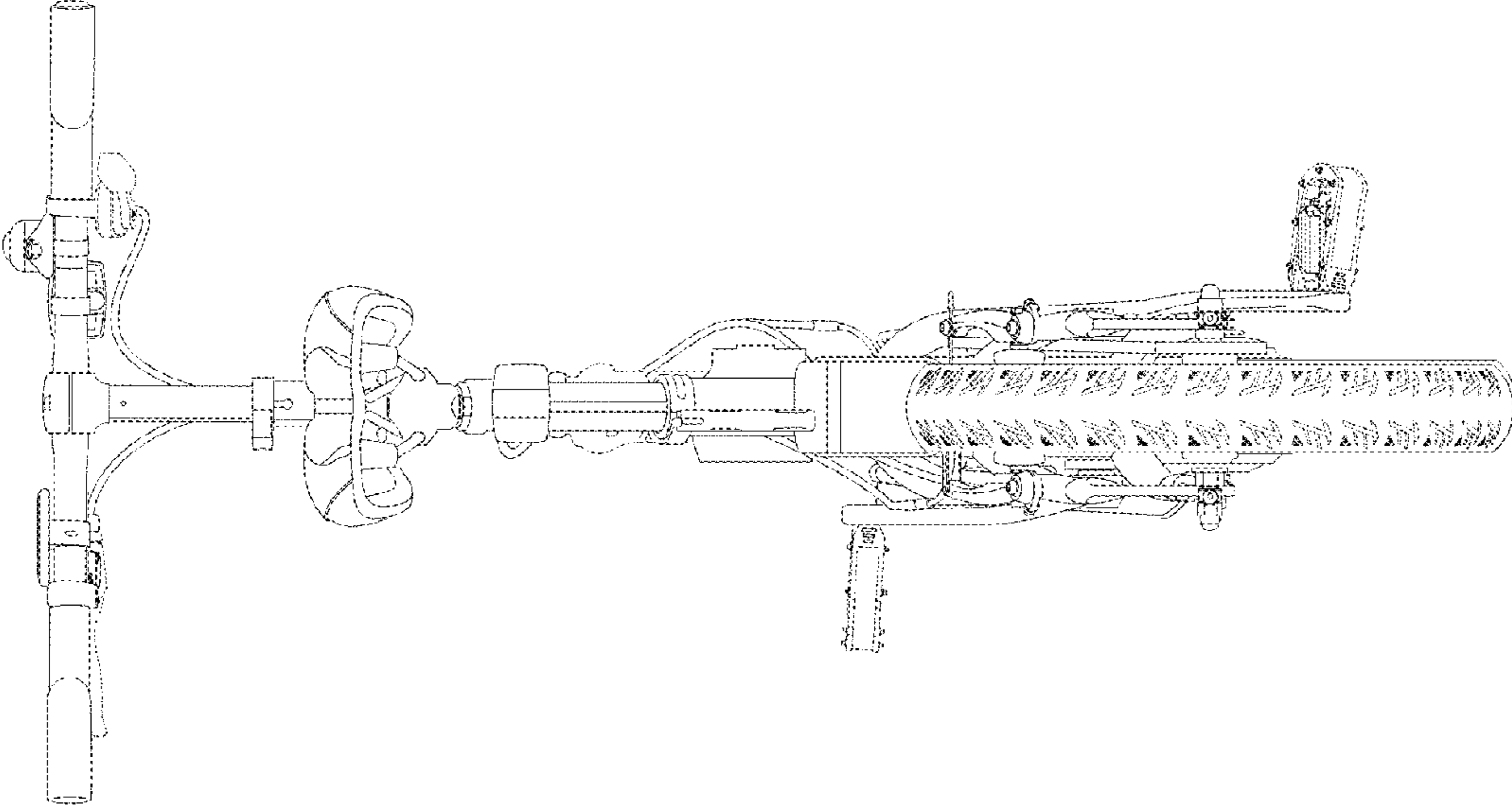


FIG. 5



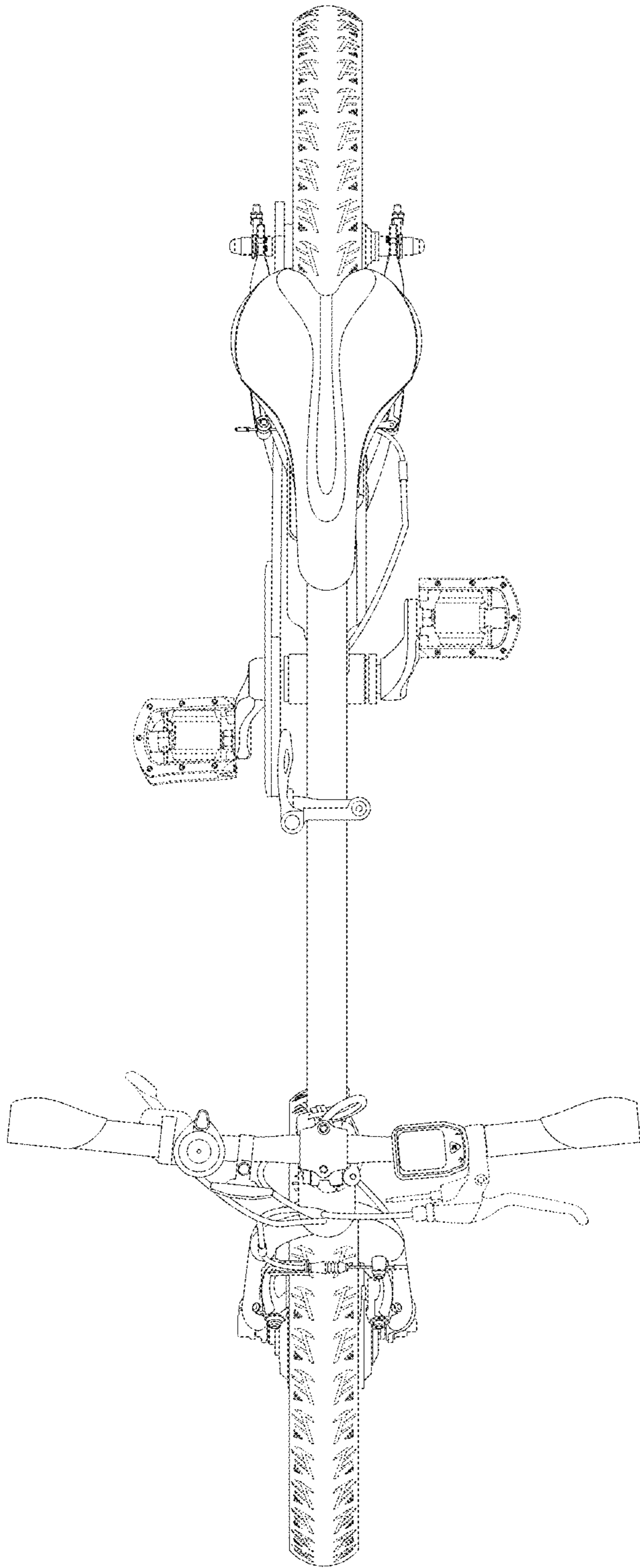


FIG. 6



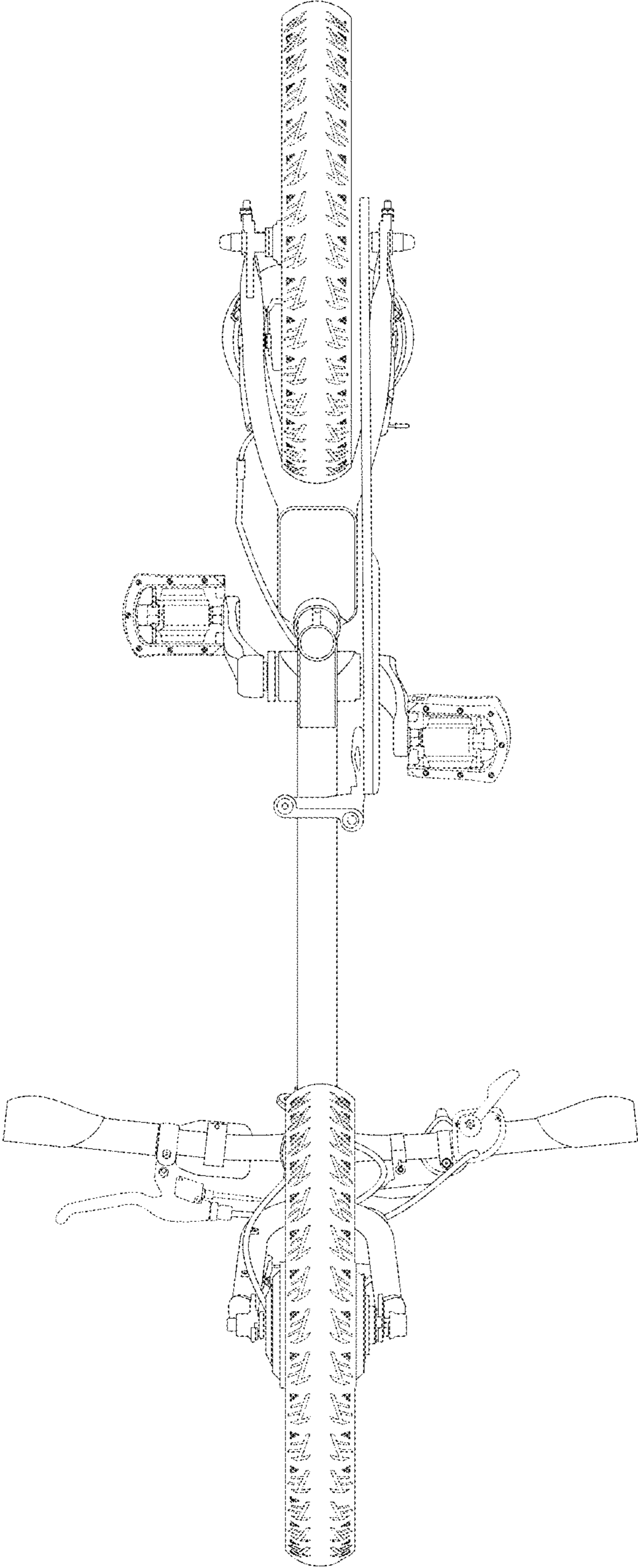


FIG. 7