



US00D953935S

(12) **United States Design Patent** (10) **Patent No.:** **US D953,935 S**
Wang et al. (45) **Date of Patent:** **** Jun. 7, 2022**

(54) **TWO-WHEELED VEHICLE AND/OR TOY REPLICAS THEREOF**

FOREIGN PATENT DOCUMENTS

(71) Applicant: **Gogoro Inc.**, Wanchai (HK)

CN 304385869 12/2017
CN 201830141793 * 4/2018

(Continued)

(72) Inventors: **Sung-Fu Wang**, Taoyuan (TW);
Hsin-Wen Su, Taoyuan (TW);
Chien-Chih Weng, Taoyuan (TW);
Hsi-Wen Chen, Taoyuan (TW)

OTHER PUBLICATIONS

(73) Assignee: **GOGORO INC.**, Wanchai (HK)

Youtube, Gogoro Smart Scooter Review—Electric Scooter for Everyday Life, posted Feb. 26, 2016, [online], [visited Mar. 24, 2021]. Internet, <URL: <https://www.youtube.com/watch?v=jdRjiXayLo0>> (Year: 2016).*

(**) Term: **15 Years**

(Continued)

(21) Appl. No.: **29/689,029**

Primary Examiner — Sheryl Lane

(22) Filed: **Apr. 26, 2019**

Assistant Examiner — Samantha N Wood

(51) **LOC (13) Cl.** **12-11**

(74) *Attorney, Agent, or Firm* — McCormick, Paulding & Huber PLLC

(52) **U.S. Cl.**

USPC **D12/110**

(58) **Field of Classification Search**

USPC D12/107, 108, 110, 111, 112, 113, 114,
D12/117, 118, 119, 122, 126

CPC B62K 11/00; B62K 11/02; B62K 11/04;
B62K 11/06; B62K 11/08; B62K 11/10;
B62K 11/12; B62K 11/14; B62K 5/00;
B62K 5/003; B62K 5/007; B62K 19/00;
B62K 19/02; B62K 19/18; B62K 19/06;
B62K 2202/00

See application file for complete search history.

(57) **CLAIM**

The ornamental design for a two-wheeled vehicle and/or toy replica thereof, as shown and described.

(56) **References Cited**

U.S. PATENT DOCUMENTS

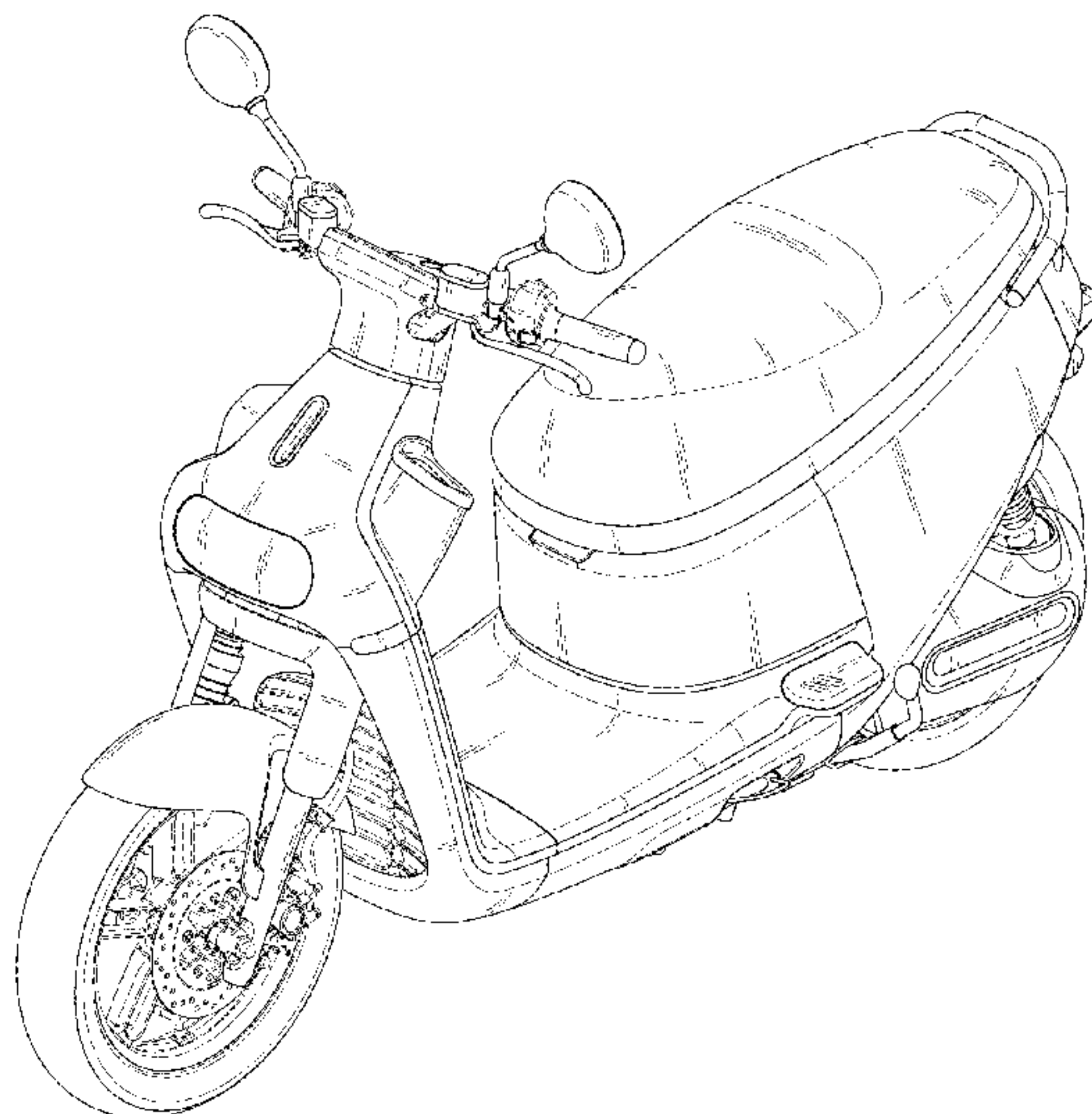
D269,169 S * 5/1983 Ban D12/110
D490,750 S * 6/2004 Hoshino D12/110
D538,202 S * 3/2007 Shimizu D12/110
D546,732 S * 7/2007 Chuang D12/110
D585,334 S * 1/2009 Chiu D12/110
D612,770 S * 3/2010 Chen D12/110
D617,686 S * 6/2010 Lin D12/110
D631,798 S * 2/2011 Lin D12/110
D642,497 S * 8/2011 Lin D12/110

(Continued)

DESCRIPTION

FIG. 1 is a perspective view of a two-wheeled vehicle and/or toy replica thereof showing our new design;
FIG. 2 is a front view thereof;
FIG. 3 is a rear view thereof;
FIG. 4 is a left side view thereof;
FIG. 5 is a right side view thereof;
FIG. 6 is a top view thereof;
FIG. 7 is a bottom view thereof; and,
FIG. 8 is a perspective view from another direction of the two-wheeled vehicle and/or toy replica thereof.
The broken lines are included for the purpose of illustrating portions of the article and form no part of the claimed design.

1 Claim, 8 Drawing Sheets



(56)

References Cited

U.S. PATENT DOCUMENTS

D644,568	S *	9/2011	Maccioni	D12/110
D664,898	S *	8/2012	Van Hooydonk	D12/110
D680,911	S *	4/2013	Wu	D12/110
D761,699	S *	7/2016	Watanabe	D12/110
D789,835	S *	6/2017	Kottmann	D12/110
2011/0073397	A1 *	3/2011	Yamada	F02M 37/50 180/219

FOREIGN PATENT DOCUMENTS

JP	D1553315	7/2016	
JP	D1617281	11/2018	
TW	D152103	S1	3/2013
TW	D158956	S	1/2014
TW	D159446	S	3/2014
TW	D170363	S	9/2015
TW	D186364	S	11/2017
WO	WO-2016133468	A1 *	8/2016 B62K 11/02

OTHER PUBLICATIONS

Yotube, Gogoro 2 Plus, posted May 2, 2017, [online], [visited Mar. 24, 2021]. Internet, <URL: <https://www.youtube.com/watch?v=1Tc-IHE4v6M>> (Year: 2017).*

Financial Express, Exclusive: Twenty Two Motors Flow Review, posted Dec. 28, 2017, [online], [visited Mar. 24, 2021]. Internet, <URL: <https://www.financialexpress.com/auto/reviews/exclusive-twenty-two-motors-flow-review-an-electric-scooter-thats-smart-as-well/991954/>> (Year: 2017).*

HJ2605994300, Ross Bryant, "Gogoro Launches the "World's First" Smart Scooter," Dezeen Limited, Jan. 6, 2015.

HJ2805058500, "Eicma 2016: Gogoro Smartscooter EV Launches Sharing Service in Berlin," Designboom, Nov. 21, 2016.

HB27002075, "Gogoro Electric Scooter," Design, p. 123, Apr./May 2015.

HC29002857, Next To You Design Your Innovation with NUOSYS, p. 17, dated June 7, 2017.

* cited by examiner

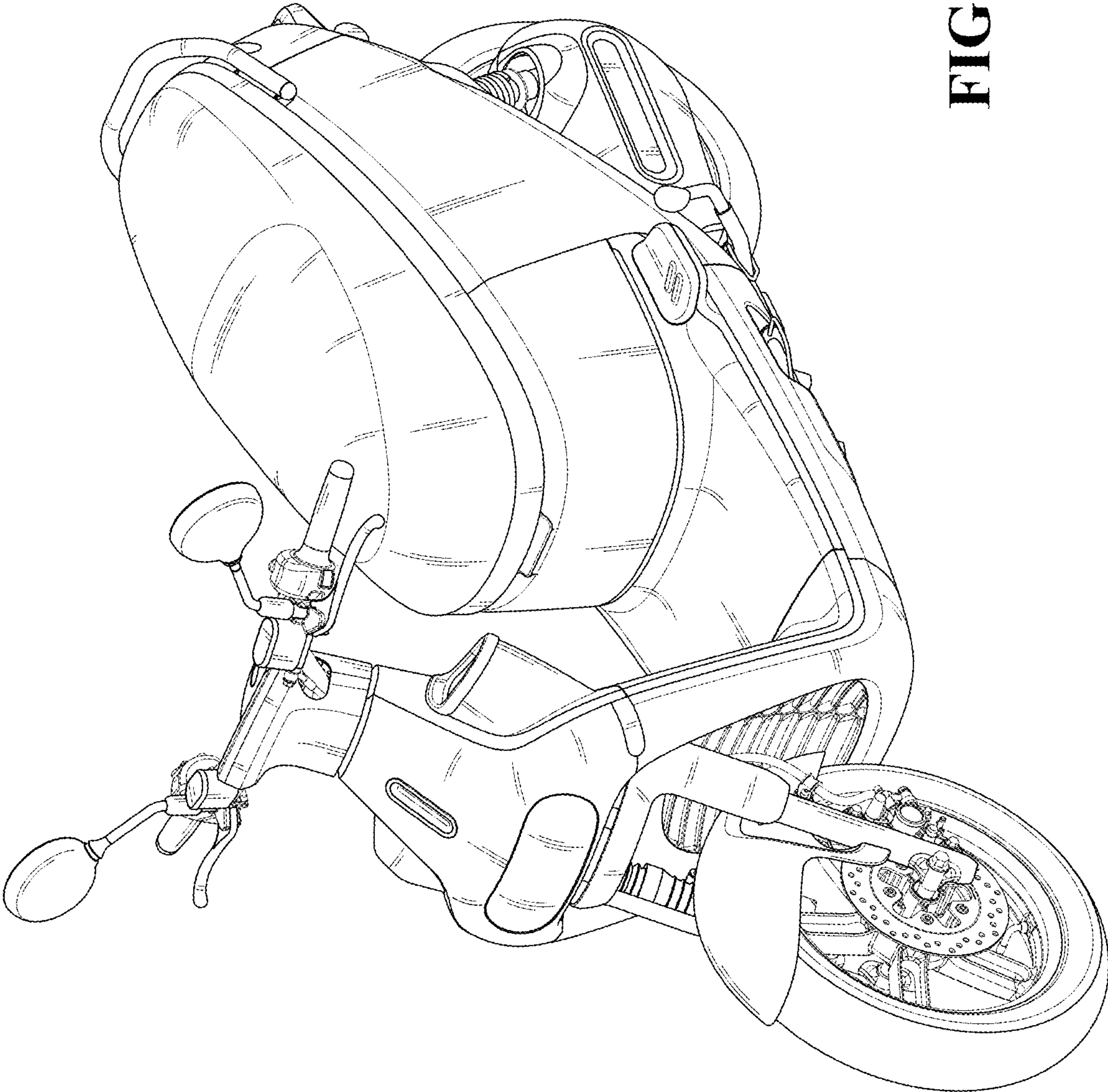


FIG. 1

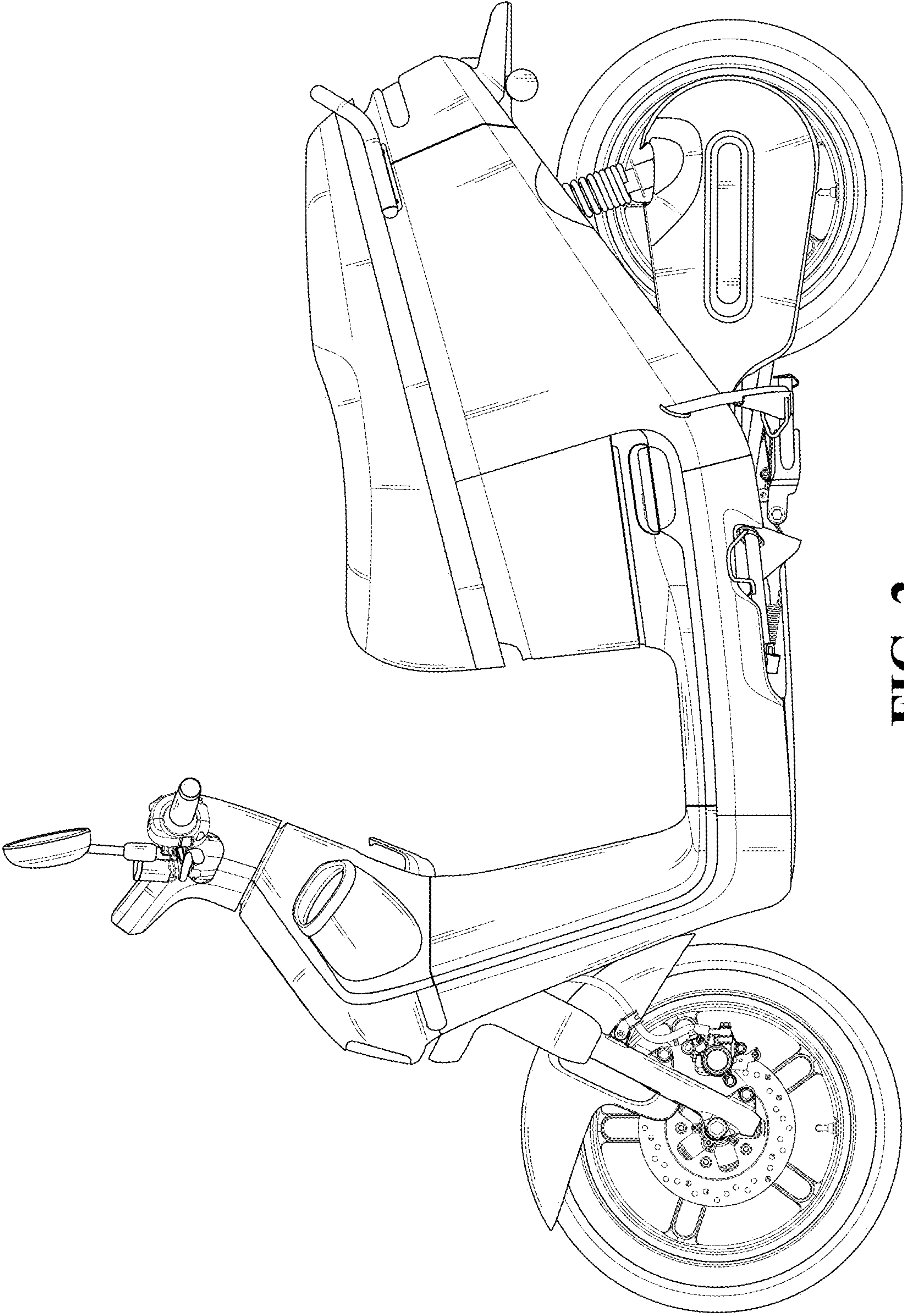


FIG. 2

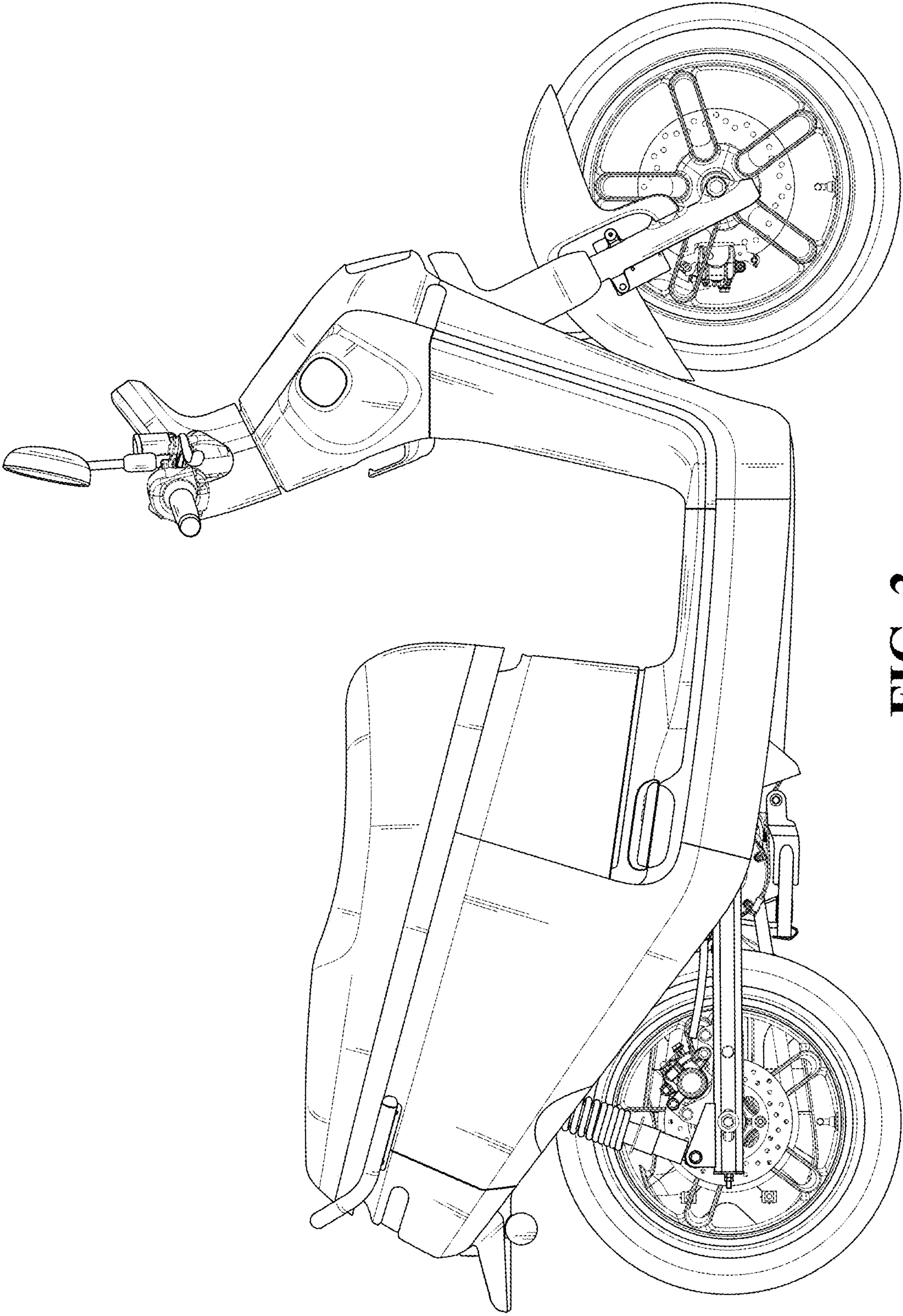


FIG. 3

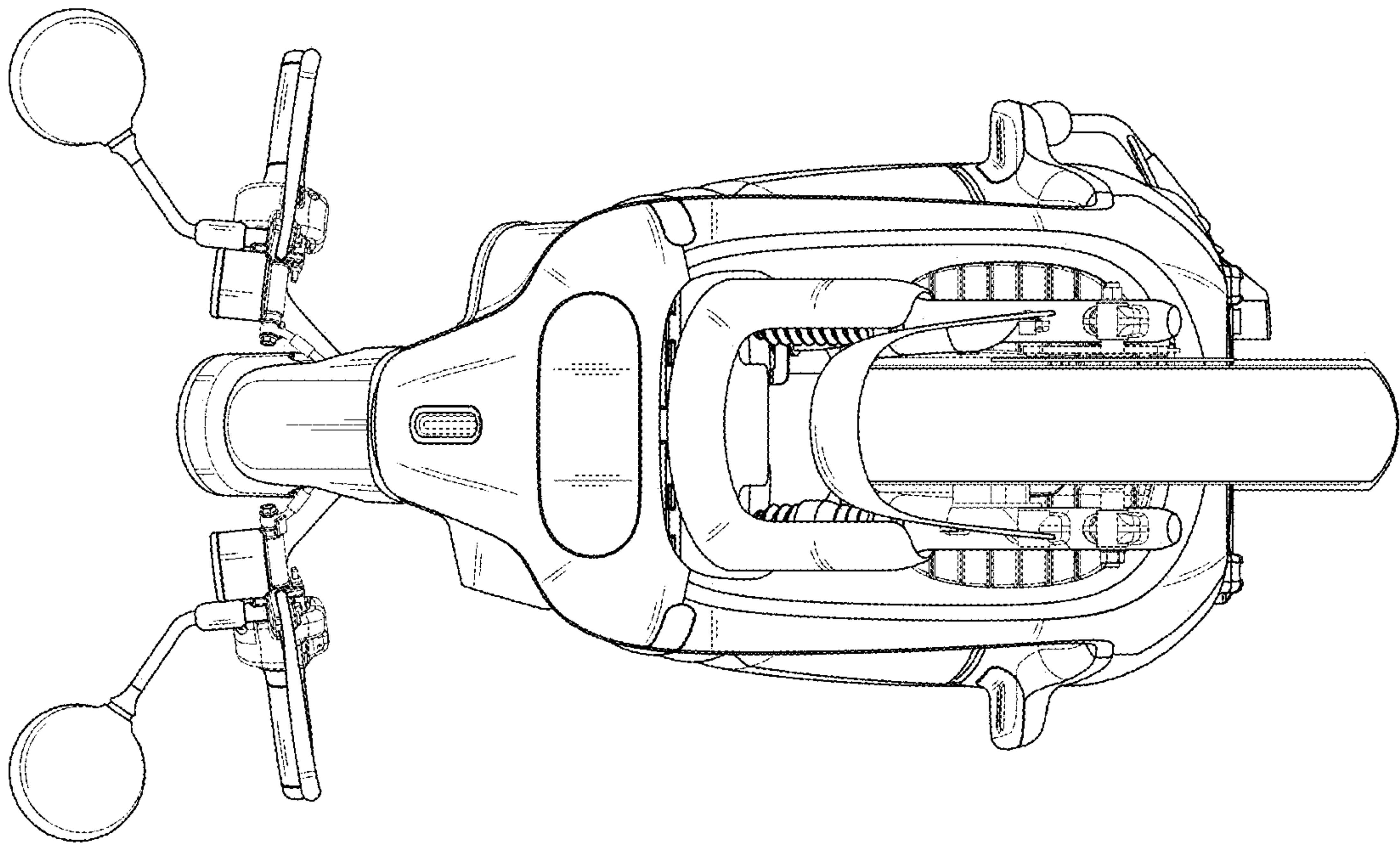


FIG. 4

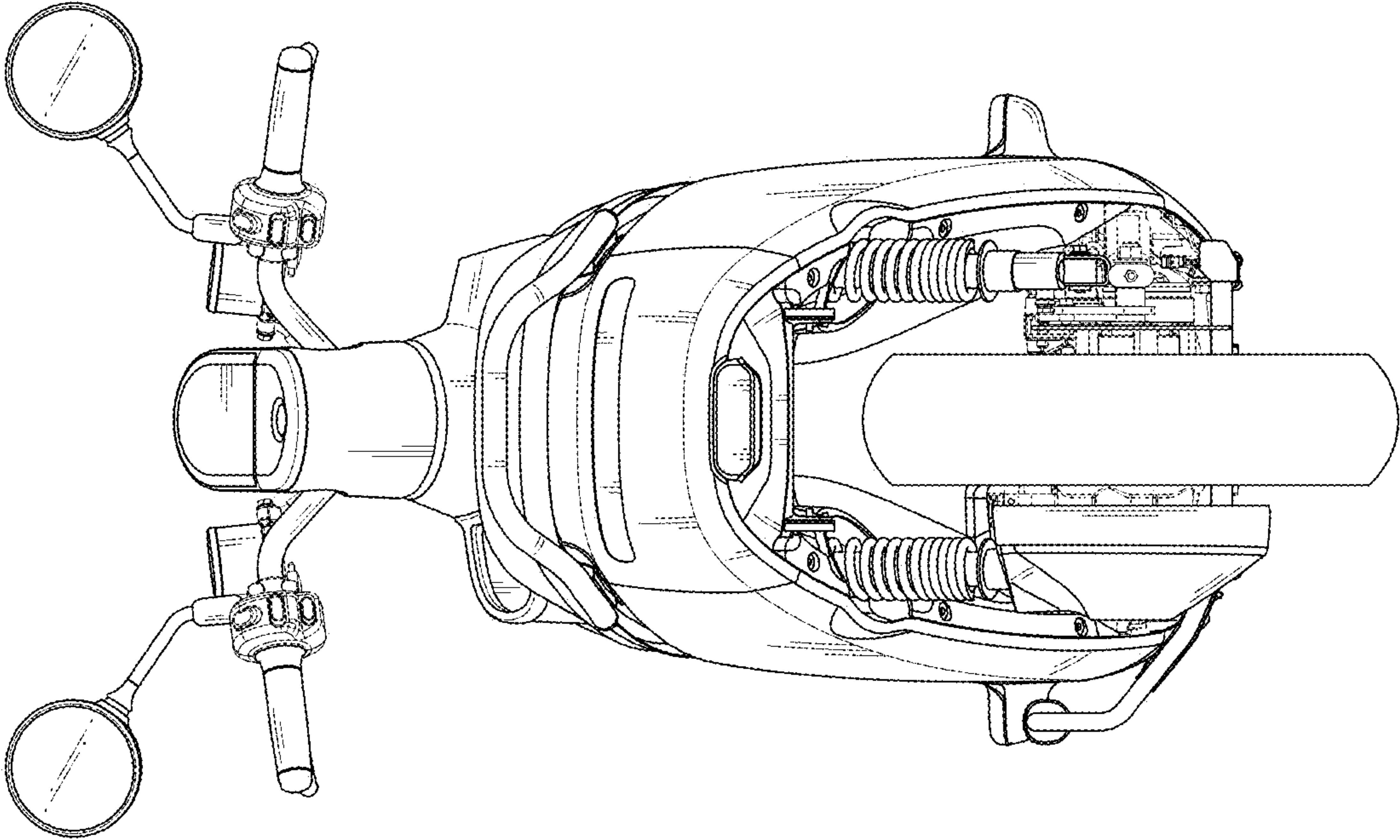


FIG. 5

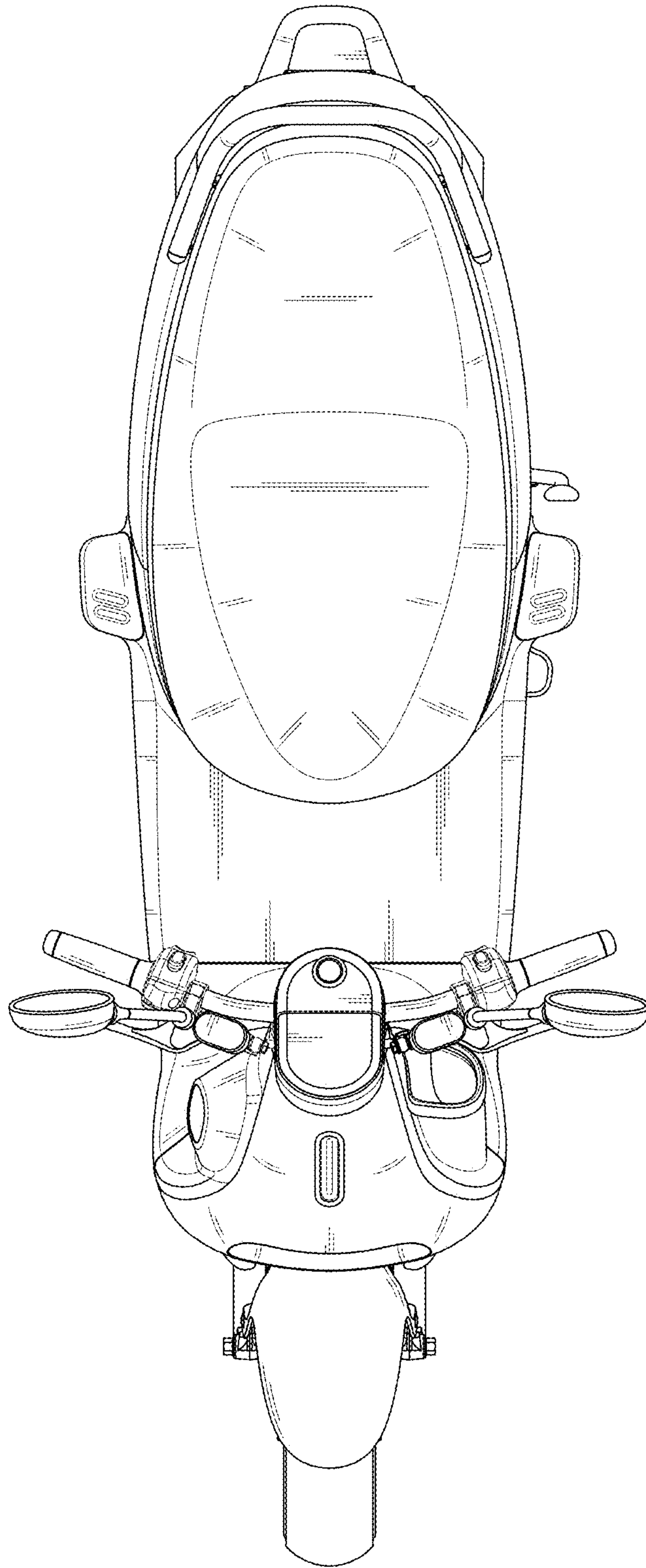


FIG. 6

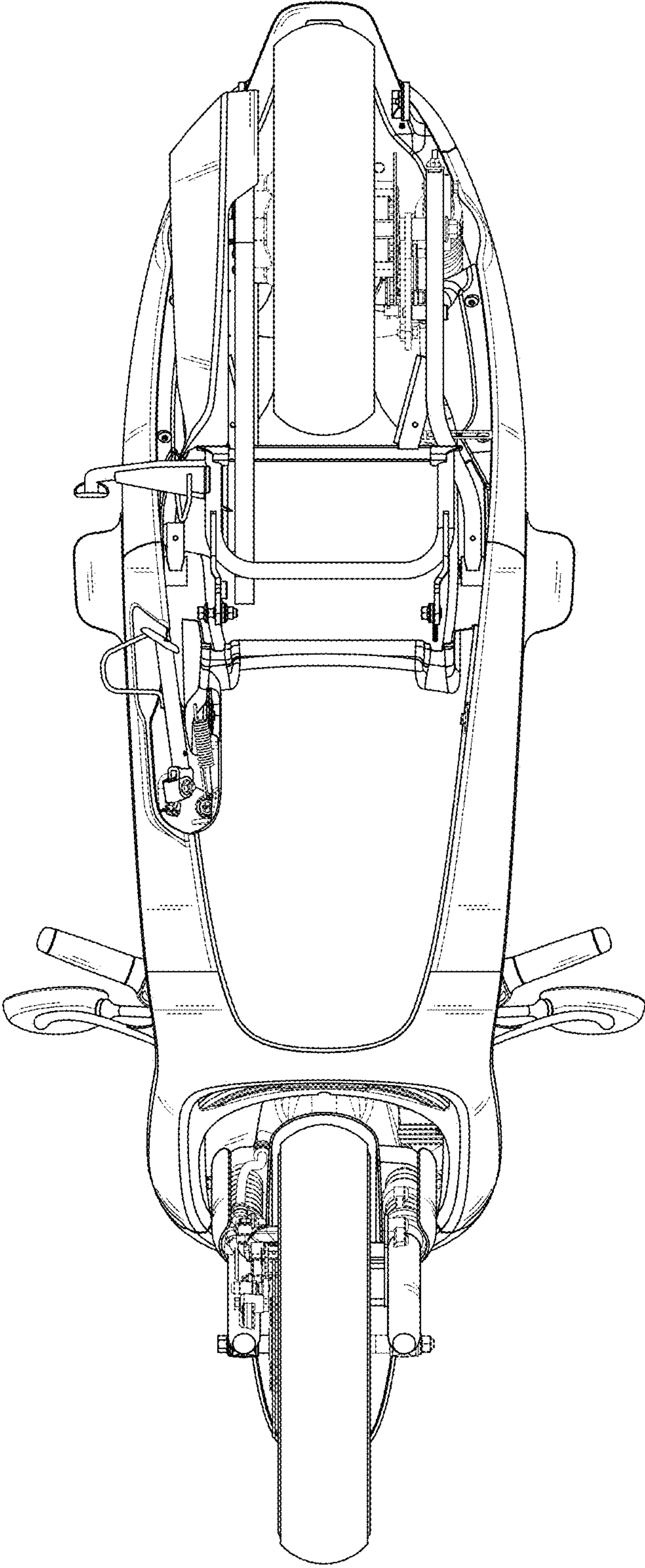


FIG. 7

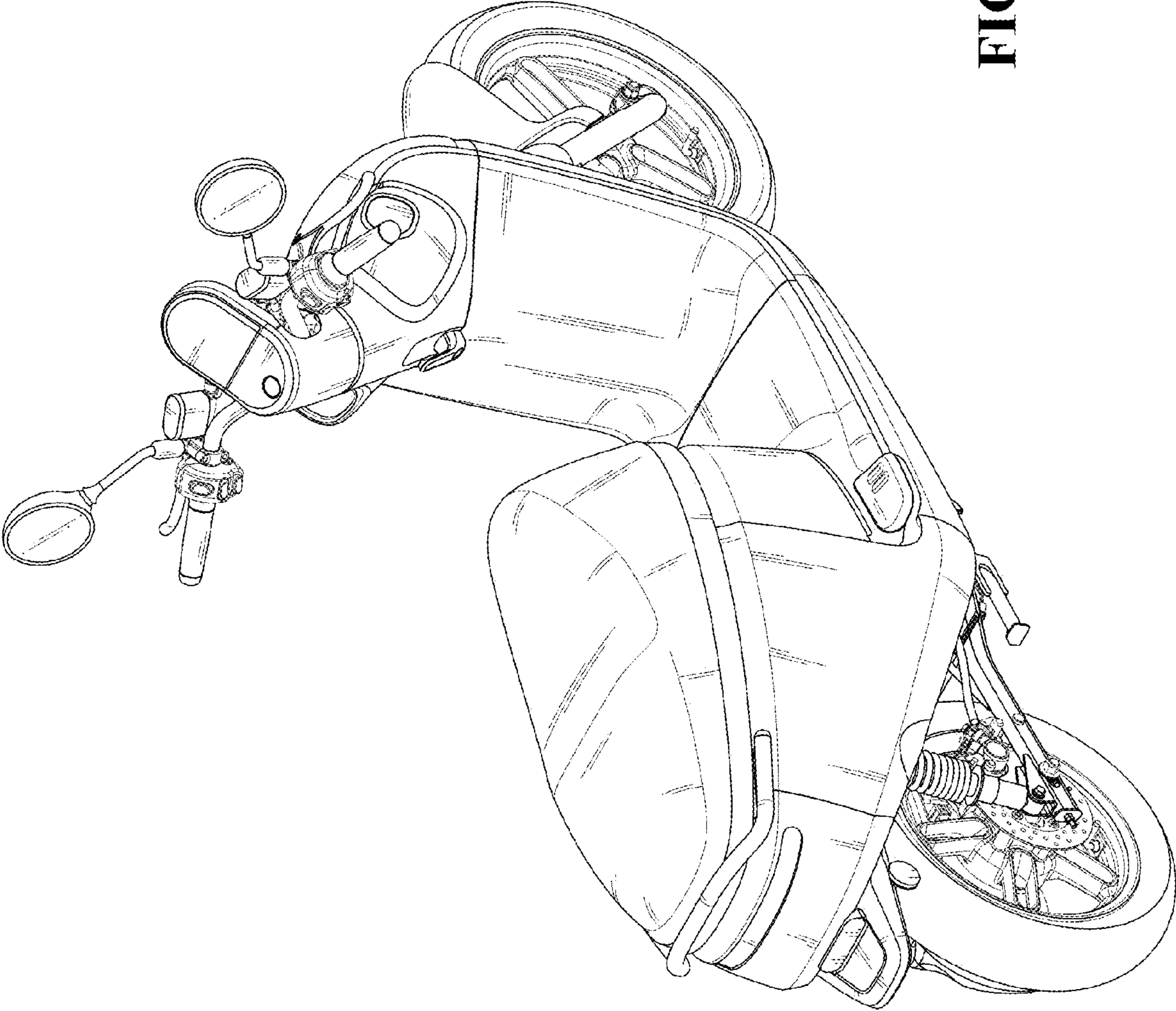


FIG. 8