



US00D953933S

(12) **United States Design Patent**  
**Shimizu et al.**

(10) **Patent No.:** **US D953,933 S**  
(45) **Date of Patent:** **\*\* Jun. 7, 2022**

(54) **AUTOMOBILE BODY AND/OR REPLICA**

(71) Applicant: **HONDA MOTOR CO., LTD.**, Tokyo (JP)

(72) Inventors: **Yosuke Shimizu**, Wako (JP); **Motoaki Minowa**, Wako (JP); **Shota Yamaguchi**, Wako (JP); **Takafumi Ozaki**, Wako (JP)

(73) Assignee: **HONDA MOTOR CO., LTD.**, Tokyo (JP)

(\*\*) Term: **15 Years**

(21) Appl. No.: **29/722,512**

(22) Filed: **Jan. 30, 2020**

(30) **Foreign Application Priority Data**

Aug. 2, 2019 (JP) ..... 2019-017304

(51) **LOC (13) Cl.** ..... **12-08**

(52) **U.S. Cl.**  
USPC ..... **D12/92**

(58) **Field of Classification Search**  
USPC ..... D12/86, 90-92, 88; D21/424, 433, 434, D21/533, 535, 548; 296/181.1-181.5, 296/183.1  
CPC ..... B62D 25/00; B62D 25/06; B62D 33/00; B62D 35/00

See application file for complete search history.

(56) **References Cited**

U.S. PATENT DOCUMENTS

|            |   |         |            |       |         |
|------------|---|---------|------------|-------|---------|
| D402,712 S | * | 12/1998 | Lun        | ..... | D21/533 |
| D866,680 S | * | 11/2019 | Weisman    | ..... | D21/473 |
| D902,782 S | * | 11/2020 | Trim       | ..... | D12/92  |
| D913,160 S | * | 3/2021  | Nurnberger | ..... | D12/92  |
| D925,402 S | * | 7/2021  | Flynn      | ..... | D12/92  |

\* cited by examiner

*Primary Examiner* — Melody N Brown

(74) *Attorney, Agent, or Firm* — WHDA, LLP

(57) **CLAIM**

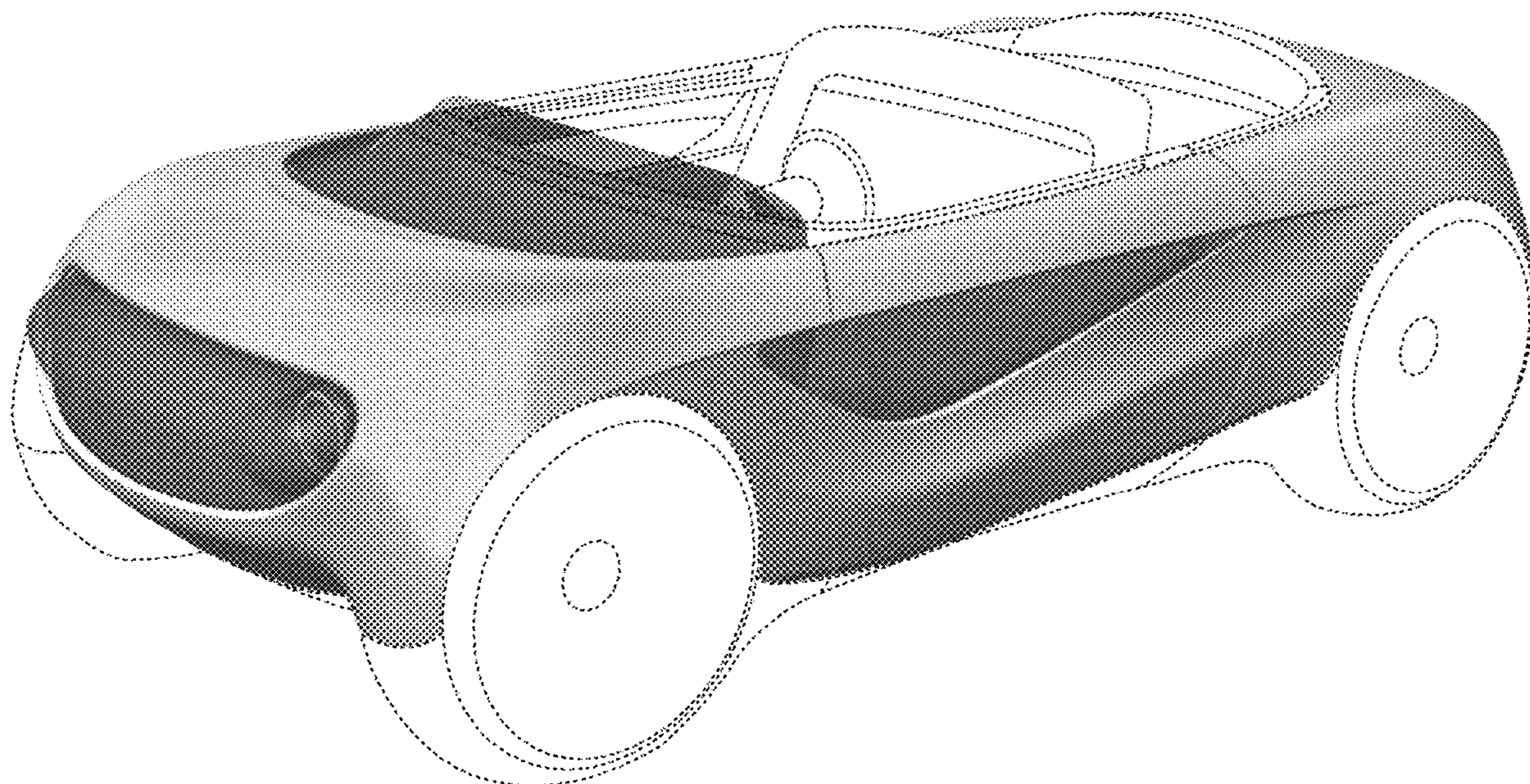
The ornamental design for an automobile body and/or replica, as shown and described.

**DESCRIPTION**

FIG. 1 is a front and right side perspective view of an automobile body and/or replica showing our new design; FIG. 2 is a rear and right side perspective view thereof; FIG. 3 is a front elevational view thereof; FIG. 4 is a rear elevational view thereof; FIG. 5 is a top plan view thereof; FIG. 6 is a right side elevational view thereof; and, FIG. 7 is a left side elevational view thereof.

The portions of the automobile shown in broken lines are for environmental and illustrative purposes and form no part of the claimed design.

**1 Claim, 7 Drawing Sheets**





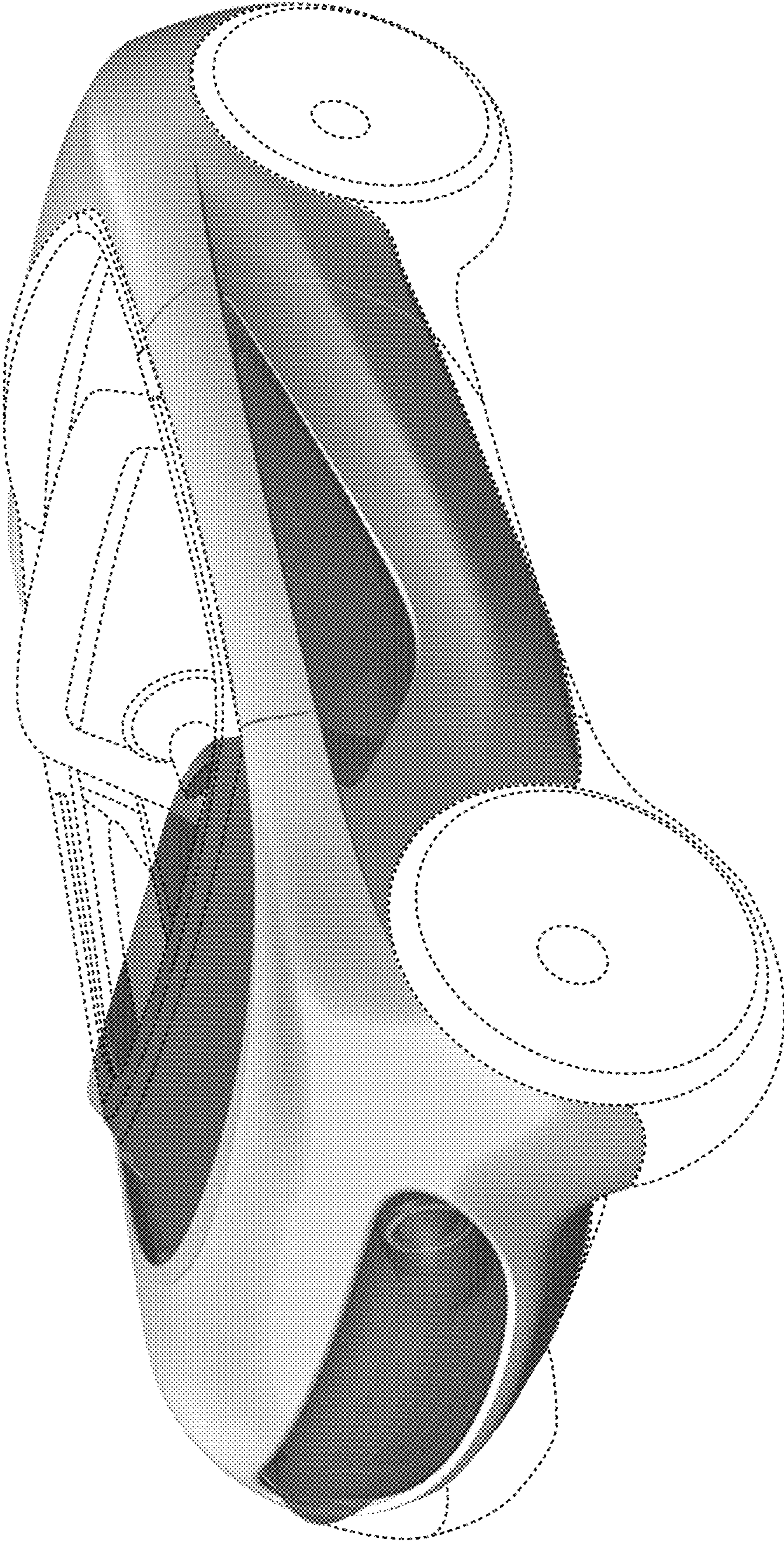


Fig.1



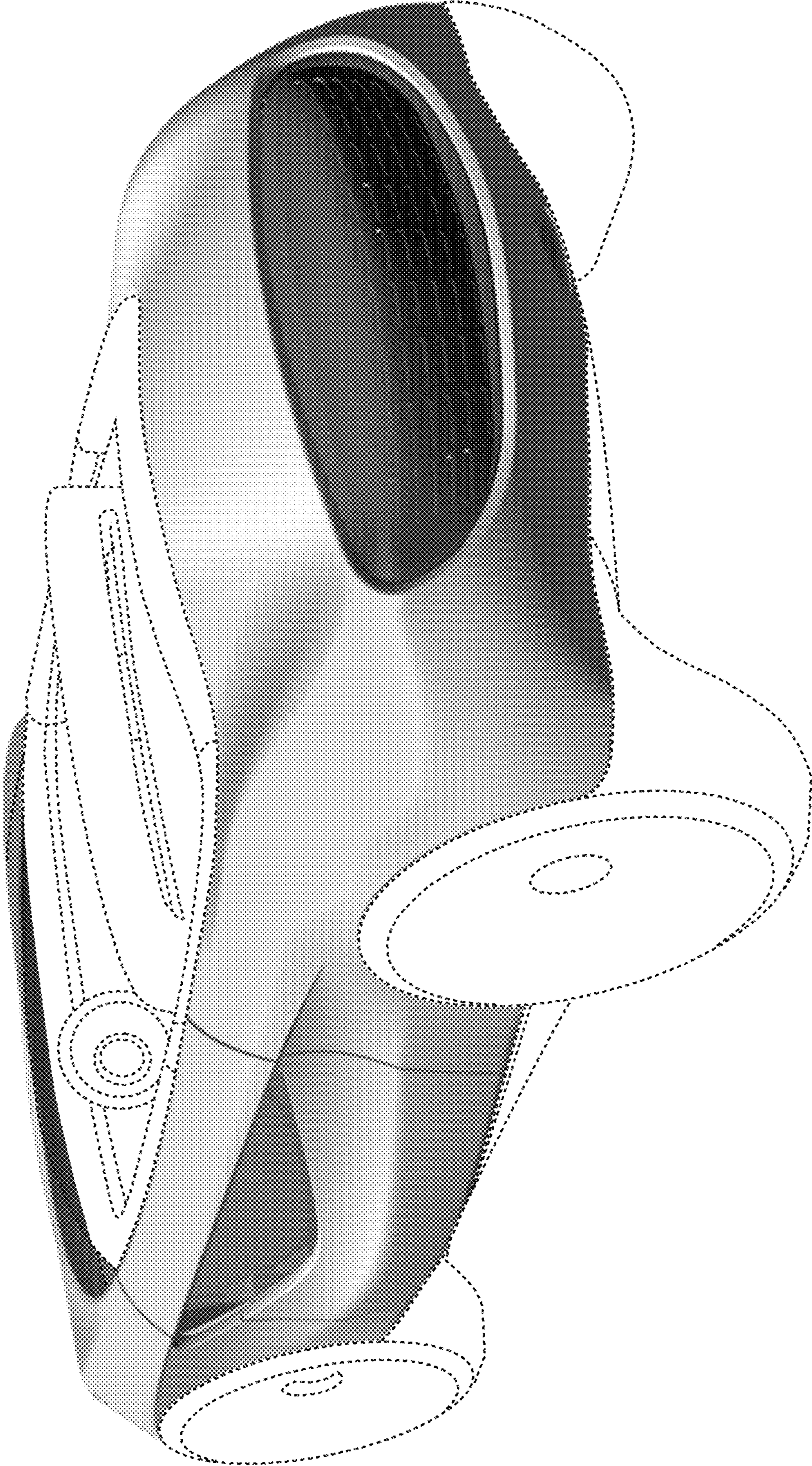


Fig.2



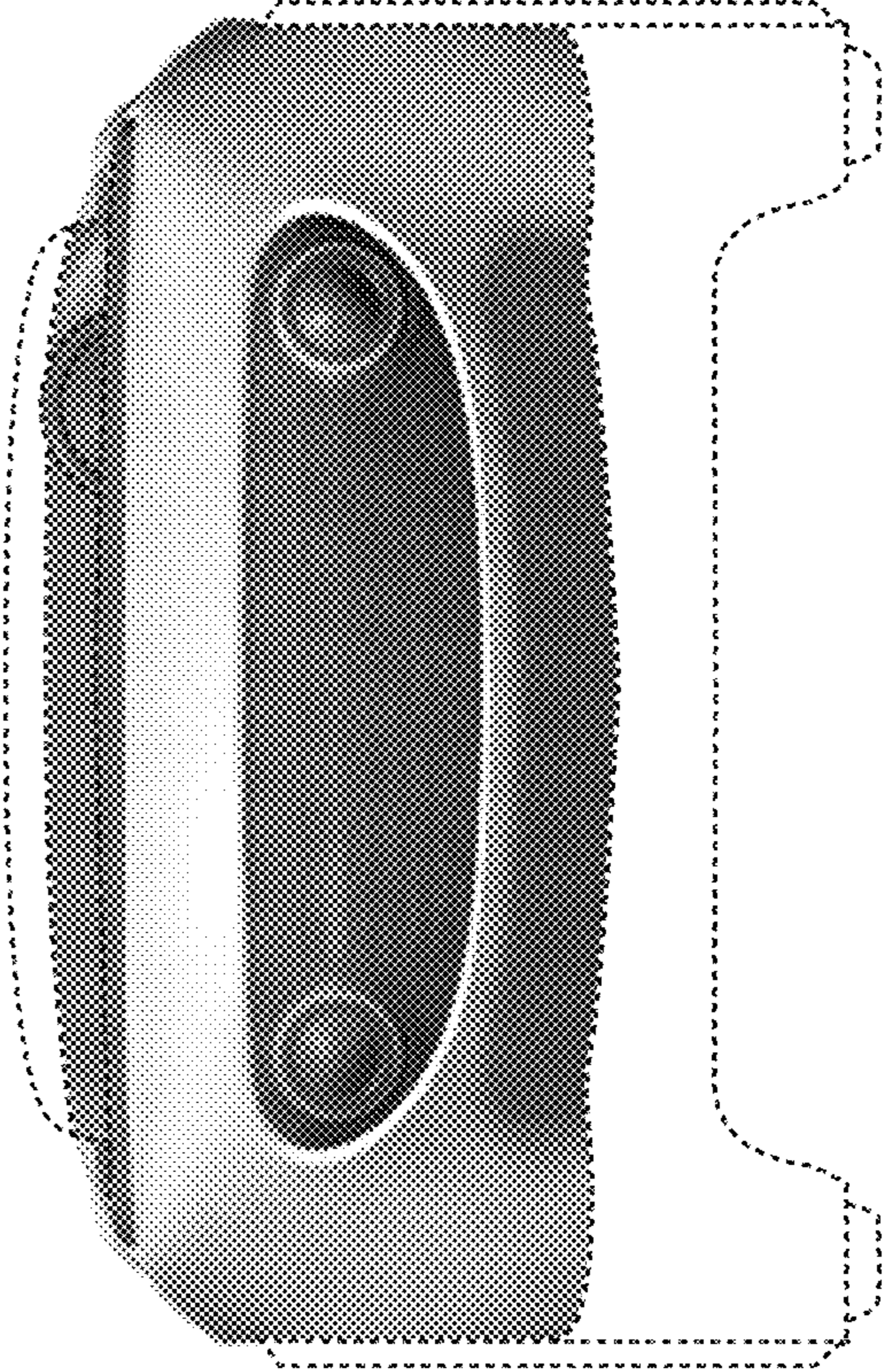


Fig. 3

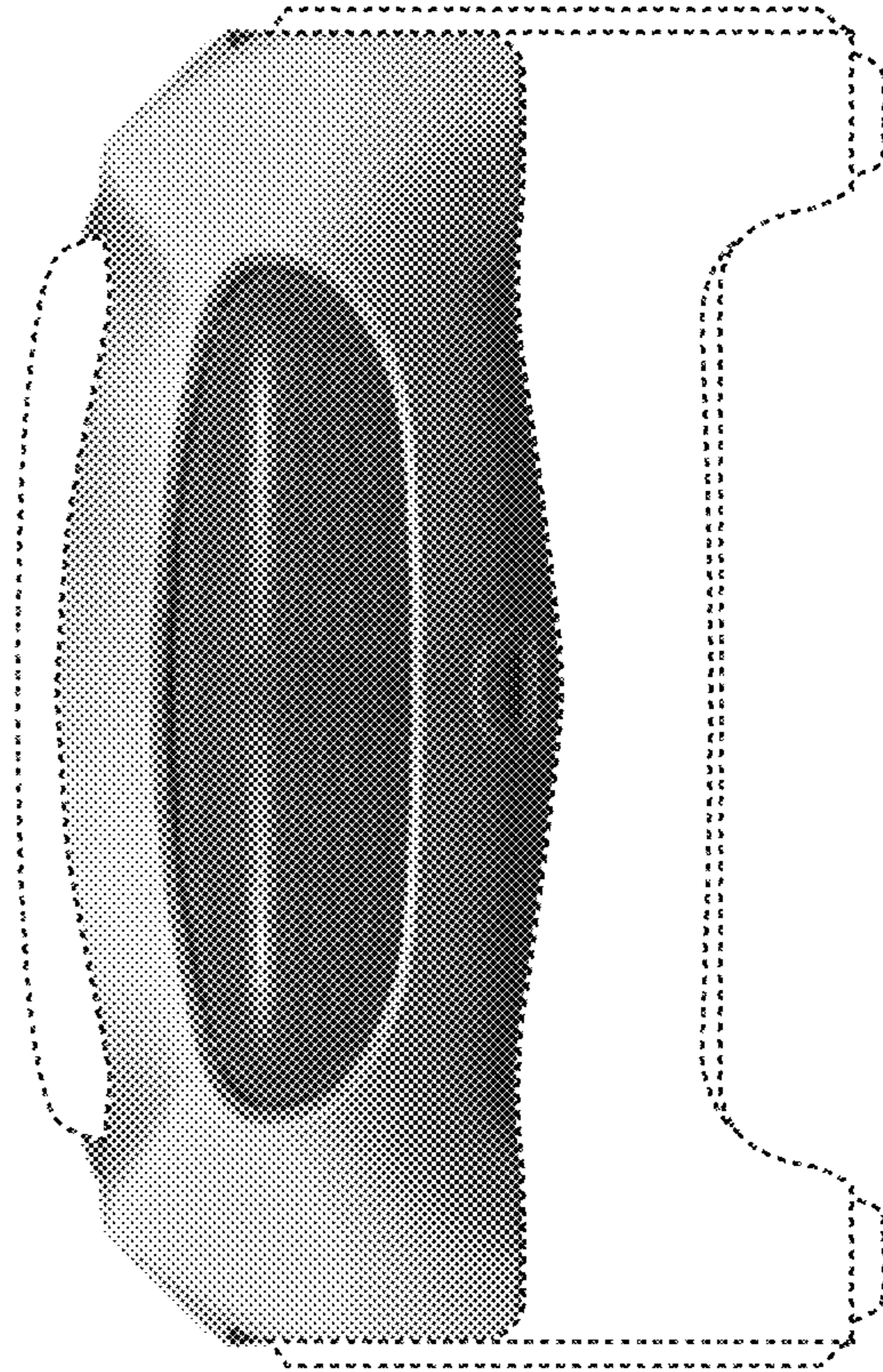


Fig.4



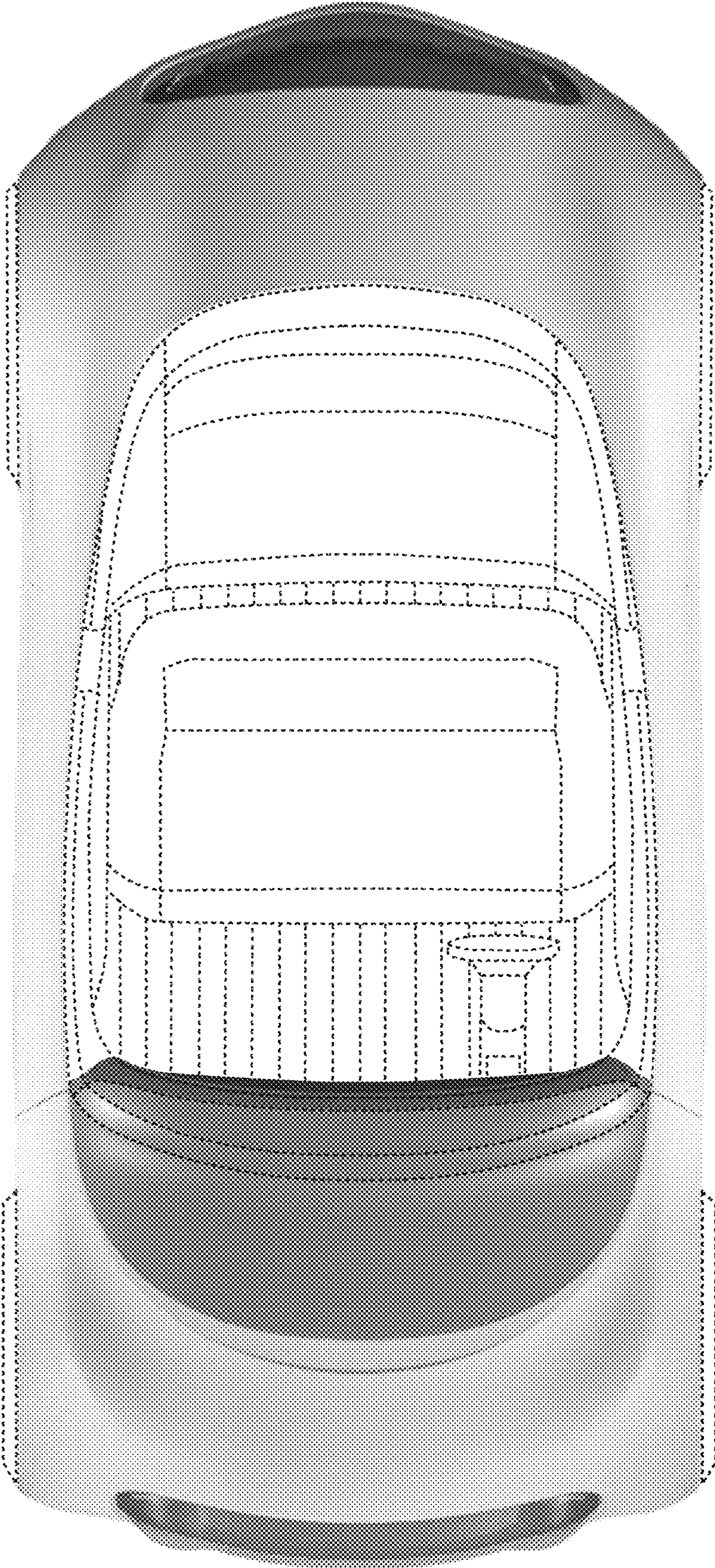


Fig. 5



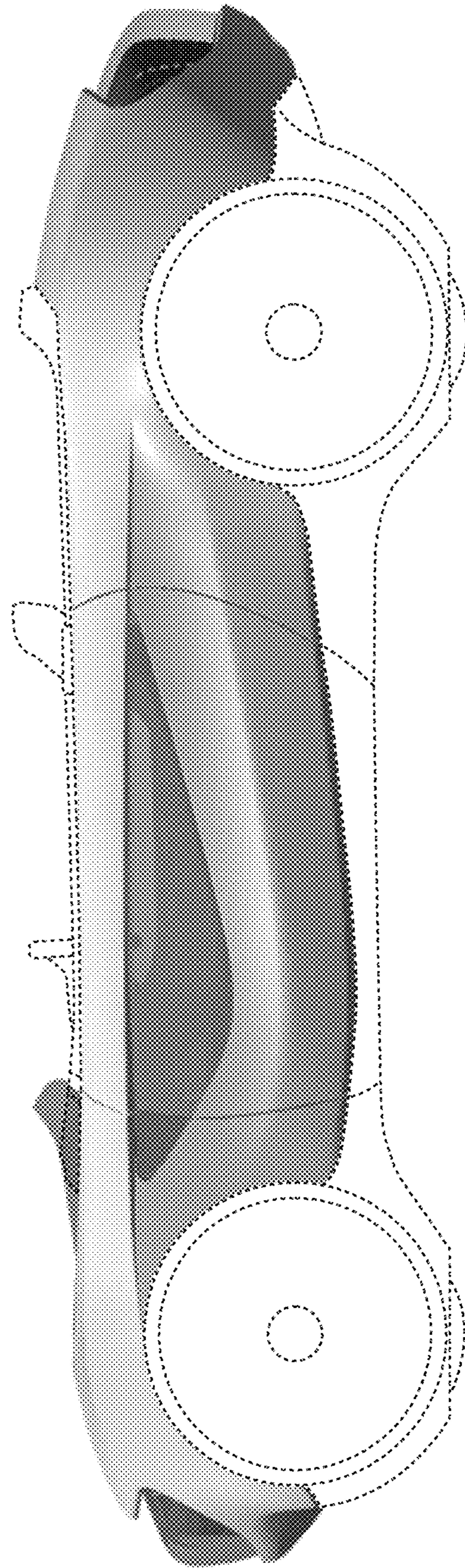


Fig. 6

Fig.7

