



US00D953932S

(12) **United States Design Patent**
Sellaro-Neto et al.

(10) **Patent No.:** **US D953,932 S**

(45) **Date of Patent:** **** Jun. 7, 2022**

(54) **AUTOMOBILE EXTERIOR BODY**

(71) Applicants: **Eugenio Sellaro-Neto**, Detroit, MI (US); **Mark D. Hall**, Rochester Hills, MI (US); **Mark T. Allen**, Oxford, MI (US)

(72) Inventors: **Eugenio Sellaro-Neto**, Detroit, MI (US); **Mark D. Hall**, Rochester Hills, MI (US); **Mark T. Allen**, Oxford, MI (US)

(73) Assignee: **FCA US LLC**, Auburn Hills, MI (US)

(**) Term: **15 Years**

(21) Appl. No.: **29/764,837**

(22) Filed: **Jan. 4, 2021**

(51) **LOC (13) Cl.** **12-08**

(52) **U.S. Cl.**
USPC **D12/91**

(58) **Field of Classification Search**
USPC D12/86, 90-92, 88; D21/424, 433, 434, D21/533; 296/181.1-181.5, 183.1
CPC B62D 25/00; B62D 33/00; B62D 35/00
See application file for complete search history.

(56) **References Cited**

U.S. PATENT DOCUMENTS

D420,939 S	*	2/2000	Faurote	D12/91
D500,460 S	*	1/2005	Allen	D12/91
D534,097 S	*	12/2006	Renkert	D12/91
D551,124 S	*	9/2007	Aneiros	D12/92
D650,721 S	*	12/2011	Galante	D12/91
D693,737 S	*	11/2013	Hammoud	D12/91
D703,583 S	*	4/2014	Howell	D12/91
D711,784 S	*	8/2014	Galante	D12/91

D723,425 S	*	3/2015	Glover	D12/91
D728,425 S	*	5/2015	Glover	D12/91
D761,695 S	*	7/2016	Faghihzadeh	D12/92
D801,861 S	*	11/2017	Hubers	D12/91
D805,956 S	*	12/2017	Galante	D12/91
D817,816 S	*	5/2018	Hoste	D12/91
D823,722 S	*	7/2018	Hoste	D12/91
D847,025 S	*	4/2019	Zavatski	D12/91
D860,863 S	*	9/2019	Jonason	D12/91
D865,565 S	*	11/2019	Hubers	D12/91
D865,566 S	*	11/2019	Jonason	D12/91
D935,938 S	*	11/2021	Langhals	D12/91
D935,939 S	*	11/2021	Langhals	D12/91
D935,940 S	*	11/2021	Langhals	D12/91
D936,518 S	*	11/2021	Langhals	D12/91
D940,004 S	*	1/2022	Stone	D12/91
D940,591 S	*	1/2022	Stone	D12/91

* cited by examiner

Primary Examiner — Melody N Brown

(74) *Attorney, Agent, or Firm* — Ralph E. Smith

(57) **CLAIM**

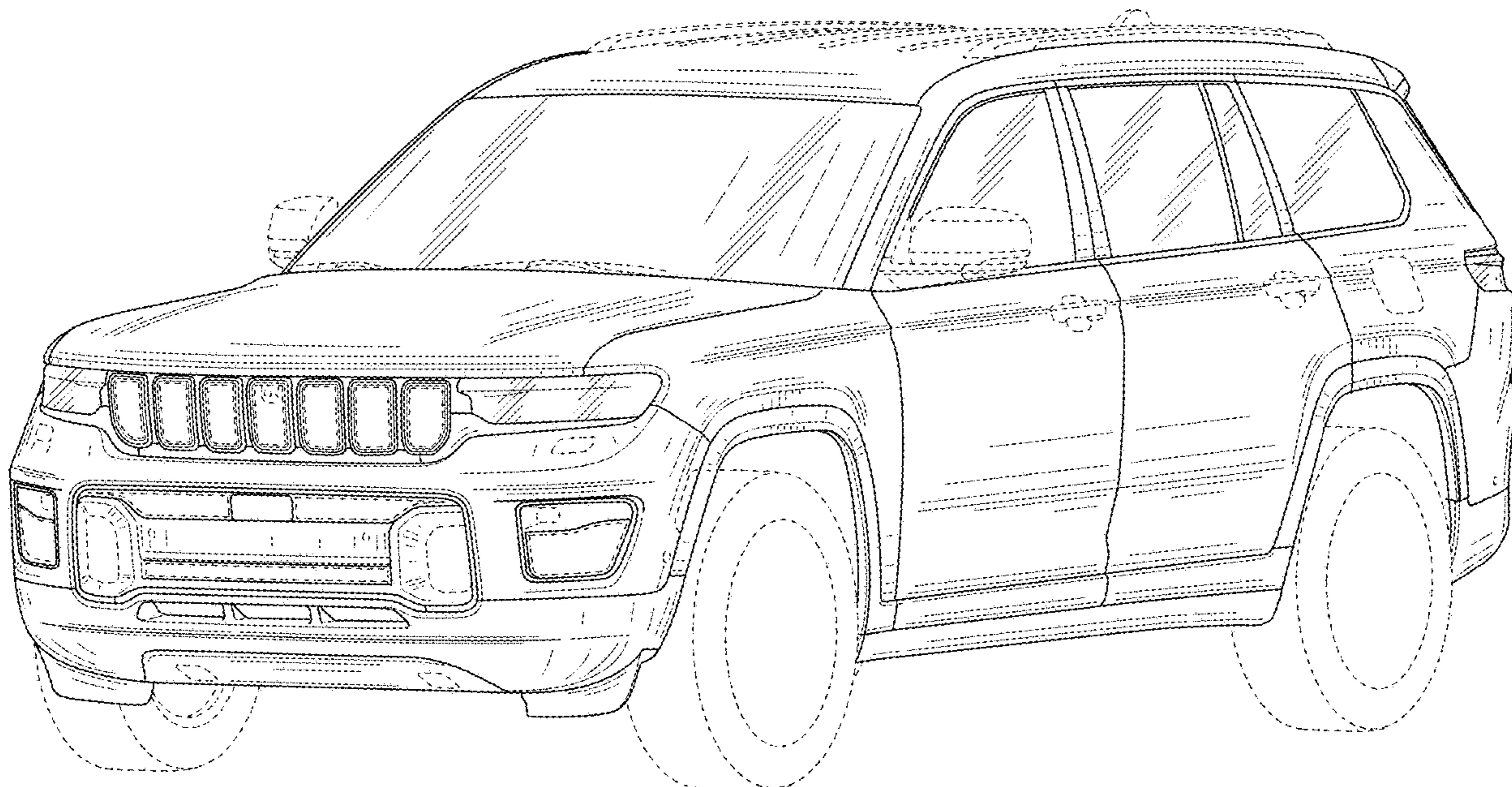
The ornamental design for an automobile exterior body, as shown and described.

DESCRIPTION

FIG. 1 is a front perspective view of an automobile exterior body showing our new design;
FIG. 2 is a rear perspective view thereof;
FIG. 3 is a front view thereof;
FIG. 4 is a rear view thereof;
FIG. 5 is a left side view thereof;
FIG. 6 is a right side view thereof; and,
FIG. 7 is a top plan view thereof.

It will be understood that the broken lines shown in the drawings illustrate portions of the automobile exterior body that form no part of the claimed design.

1 Claim, 6 Drawing Sheets



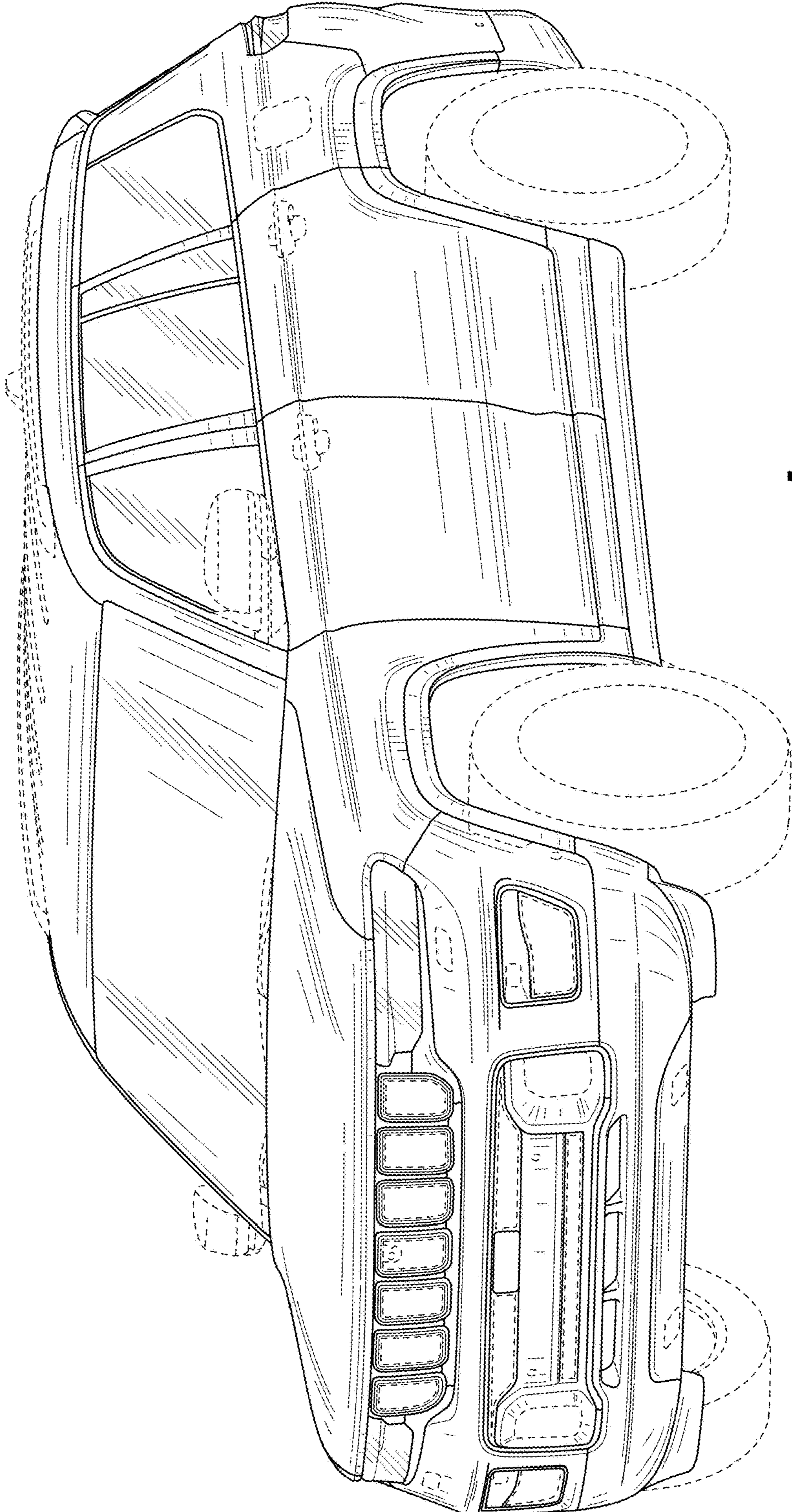


FIG. 1

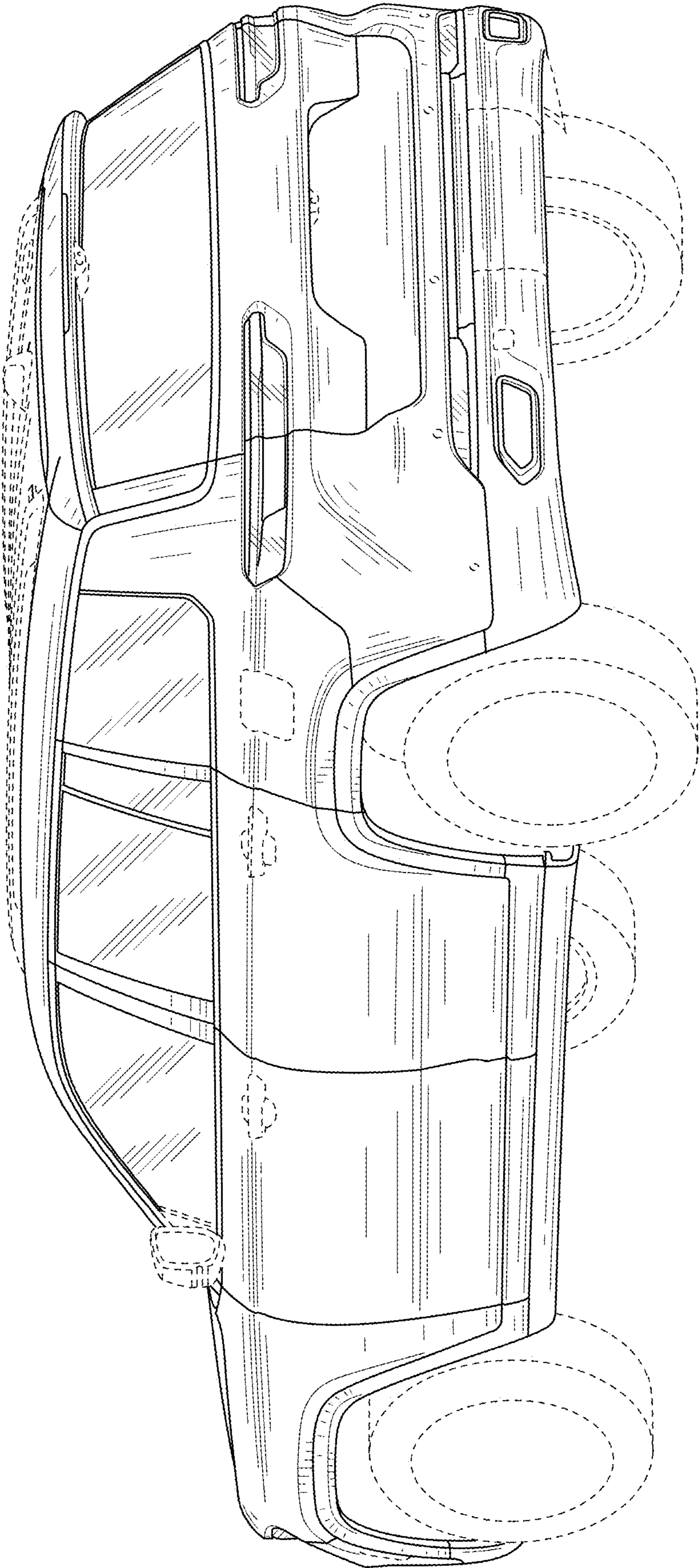


FIG. 2

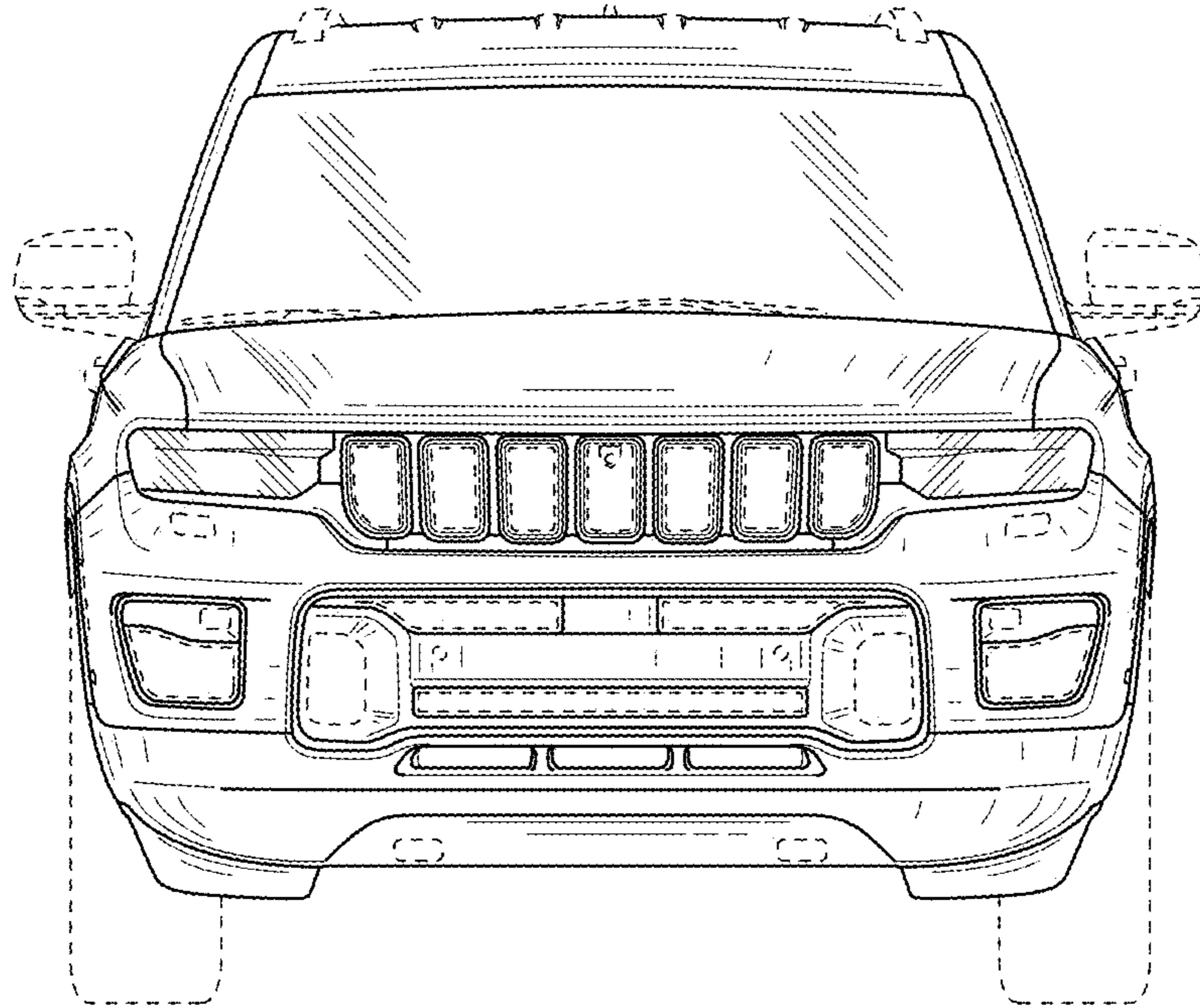


FIG. 3

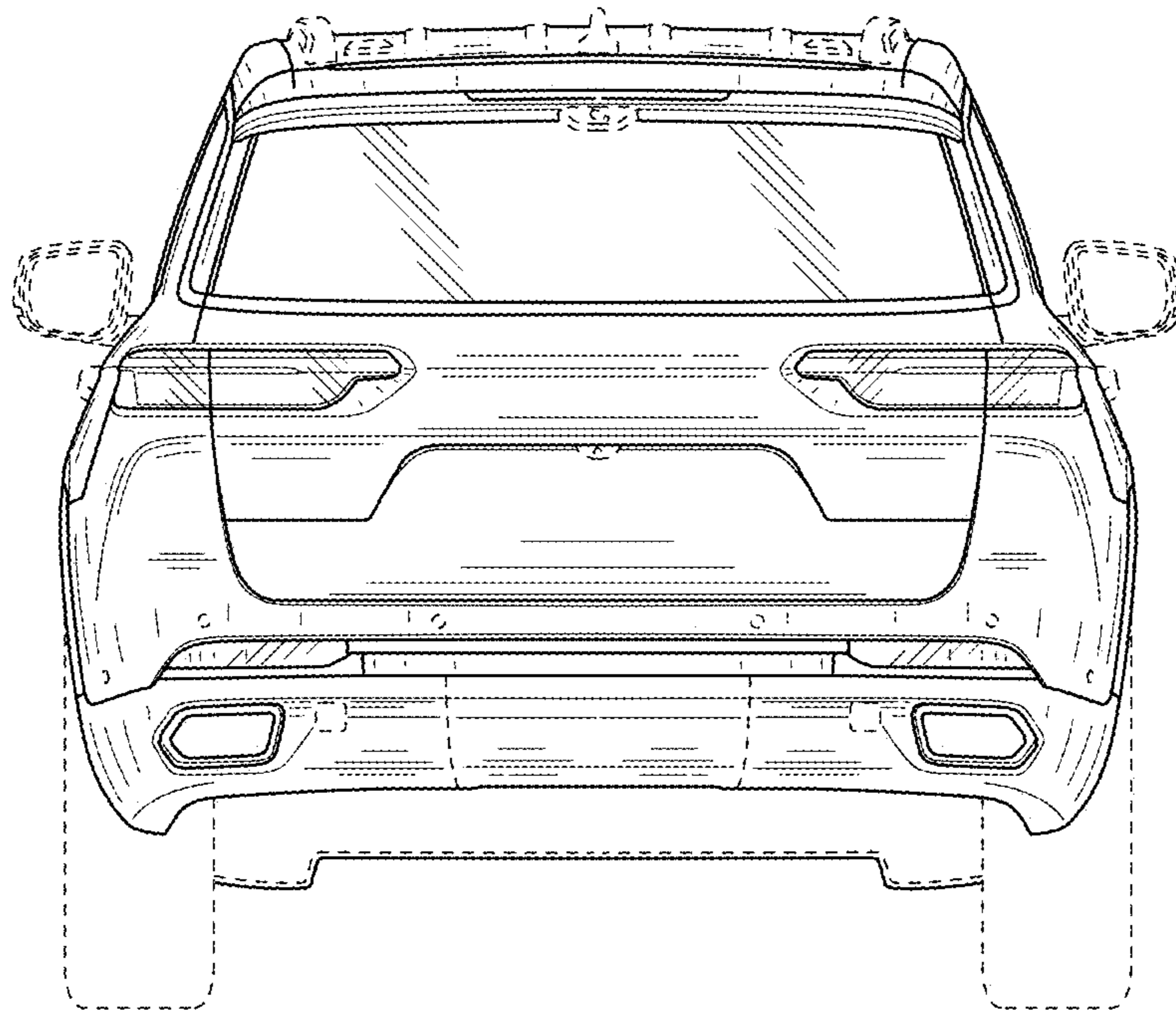


FIG. 4

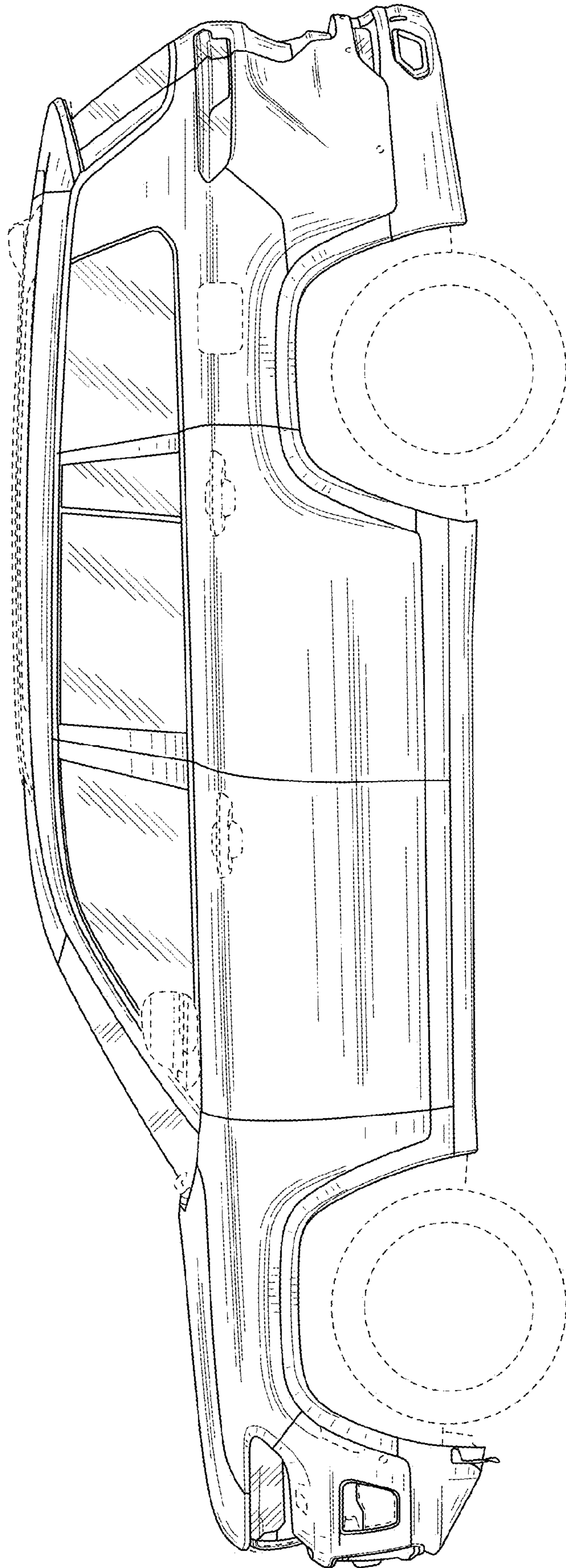


FIG. 5

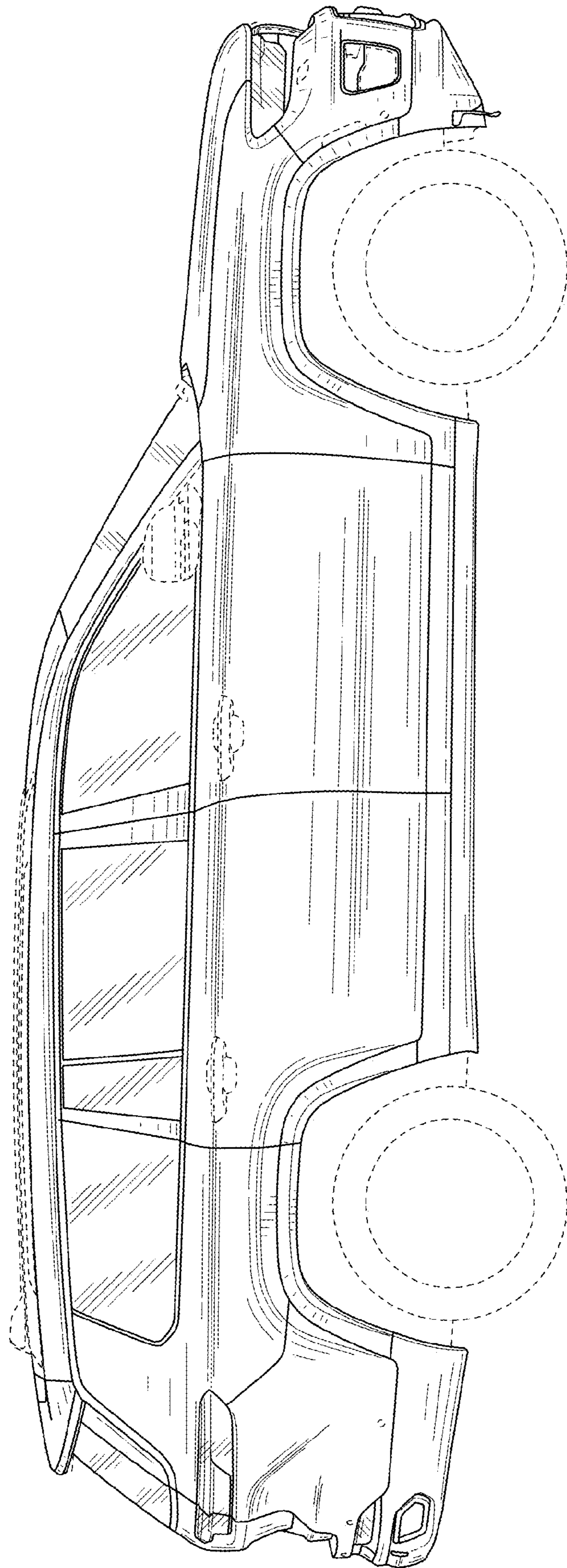


FIG. 6

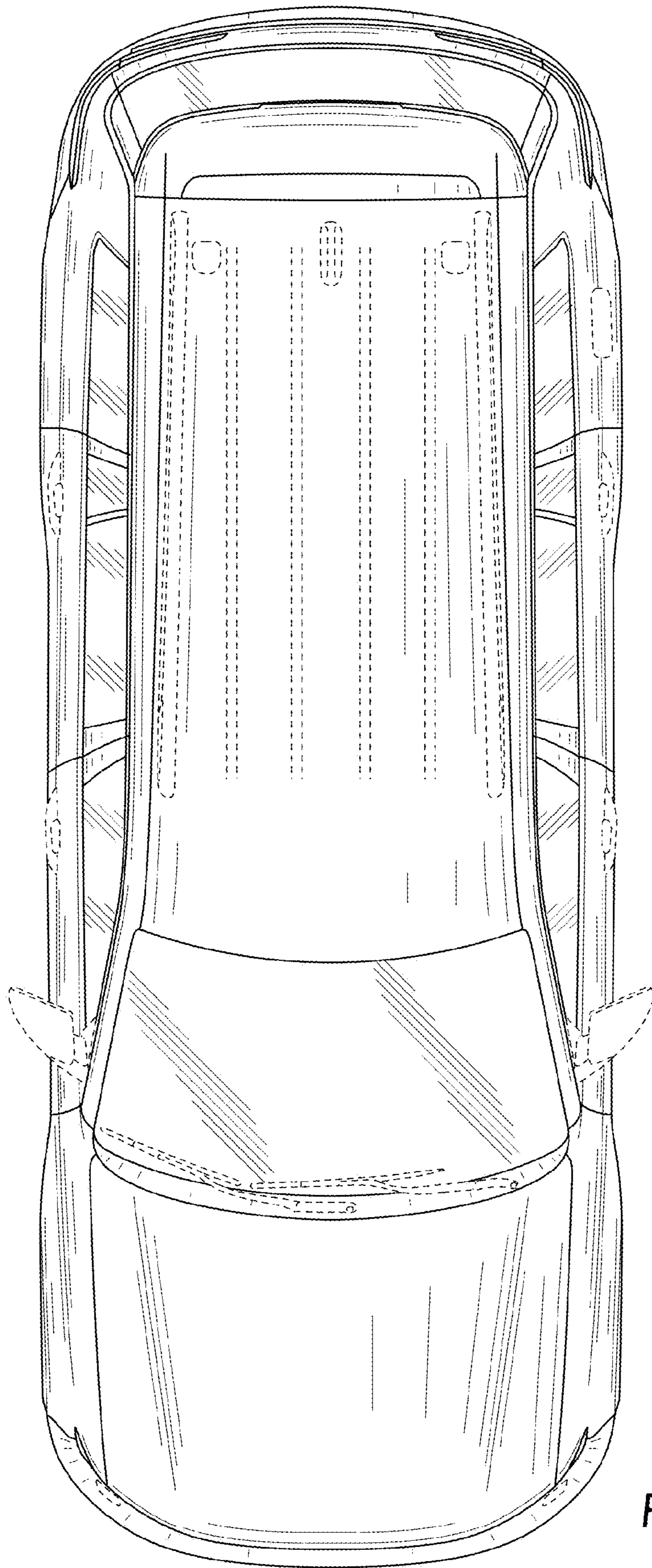


FIG. 7