



US00D953930S

(12) **United States Design Patent** (10) **Patent No.:** **US D953,930 S**  
**Malachowski et al.** (45) **Date of Patent:** **\*\* Jun. 7, 2022**

(54) **AUTOMOBILE EXTERIOR BODY**

(56) **References Cited**

(71) Applicants: **Nicholas A. Malachowski**, Bloomfield Hills, MI (US); **Eugenio Sellaro-Neto**, Detroit, MI (US); **Matthew W. Dunford**, Clawson, MI (US); **Alexander Tannen**, Detroit, MI (US); **Chris Piscitelli**, West Bloomfield, MI (US); **Jeffrey C. Gale**, Rochester, MI (US); **Mark D. Hall**, Rochester Hills, MI (US); **Mark T. Allen**, Oxford, MI (US)

U.S. PATENT DOCUMENTS

D420,939 S *	2/2000	Faurote	.....	D12/91
D500,460 S *	1/2005	Allen	.....	D12/91
D534,097 S *	12/2006	Renkert	.....	D12/91
D551,124 S *	9/2007	Aneiros	.....	D12/92
D650,721 S *	12/2011	Galante	.....	D12/91
D693,737 S *	11/2013	Hammoud	.....	D12/91
D703,583 S *	4/2014	Howell	.....	D12/91
D711,784 S *	8/2014	Galante	.....	D12/91
D723,425 S *	3/2015	Glover	.....	D12/91
D728,425 S *	5/2015	Glover	.....	D12/91
D761,695 S *	7/2016	Faghihzadeh	.....	D12/92
D801,861 S *	11/2017	Hubers	.....	D12/91
D805,956 S *	12/2017	Galante	.....	D12/91
D817,816 S *	5/2018	Hoste	.....	D12/91
D823,722 S *	7/2018	Hoste	.....	D12/91
D847,025 S *	4/2019	Zavatski	.....	D12/91
D860,863 S *	9/2019	Jonason	.....	D12/91
D865,565 S *	11/2019	Hubers	.....	D12/91

(Continued)

*Primary Examiner* — Melody N Brown

(74) *Attorney, Agent, or Firm* — Ralph E. Smith

(72) Inventors: **Nicholas A. Malachowski**, Bloomfield Hills, MI (US); **Eugenio Sellaro-Neto**, Detroit, MI (US); **Matthew W. Dunford**, Clawson, MI (US); **Alexander Tannen**, Detroit, MI (US); **Chris Piscitelli**, West Bloomfield, MI (US); **Jeffrey C. Gale**, Rochester, MI (US); **Mark D. Hall**, Rochester Hills, MI (US); **Mark T. Allen**, Oxford, MI (US)

(57) **CLAIM**

The ornamental design for an automobile exterior body, as shown and described.

(73) Assignee: **FCA US LLC**, Auburn Hills, MI (US)

**DESCRIPTION**

(\*\*) Term: **15 Years**

(21) Appl. No.: **29/764,835**

(22) Filed: **Jan. 4, 2021**

(51) **LOC (13) Cl.** ..... **12-08**

(52) **U.S. Cl.**  
USPC ..... **D12/91**

(58) **Field of Classification Search**

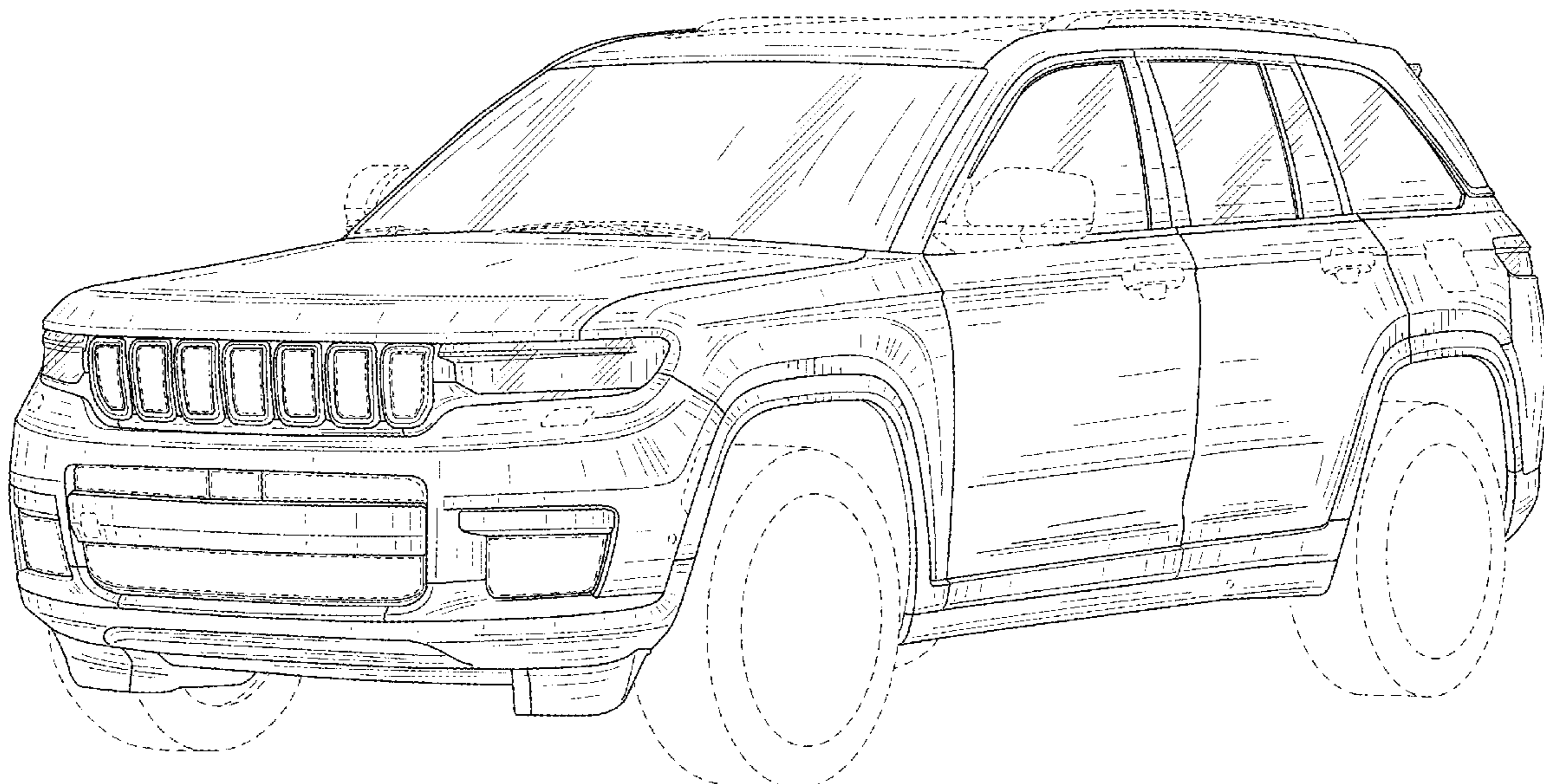
USPC ..... D12/86, 90-92, 88; D21/424, 433, 434, D21/533; 296/181.1-181.5, 183.1  
CPC ..... B62D 25/00; B62D 25/06; B62D 33/00; B62D 35/00

FIG. 1 is a front perspective view of an automobile exterior body showing our new design;  
FIG. 2 is a rear perspective view thereof;  
FIG. 3 is a left side view thereof;  
FIG. 4 is a right side view thereof;  
FIG. 5 is a top view thereof;  
FIG. 6 is a front view thereof; and,  
FIG. 7 is a rear view thereof.

It will be understood that the broken lines shown in the drawings illustrate portions of the automobile exterior body that form no part of the claimed design.

See application file for complete search history.

**1 Claim, 6 Drawing Sheets**



(56)

**References Cited**

U.S. PATENT DOCUMENTS

D865,566	S	*	11/2019	Jonason	.....	D12/91
D935,938	S	*	11/2021	Langhals	.....	D12/91
D935,939	S	*	11/2021	Langhals	.....	D12/91
D935,940	S	*	11/2021	Langhals	.....	D12/91
D936,518	S	*	11/2021	Langhals	.....	D12/91
D940,004	S	*	1/2022	Stone	.....	D12/91
D940,591	S	*	1/2022	Stone	.....	D12/91

\* cited by examiner

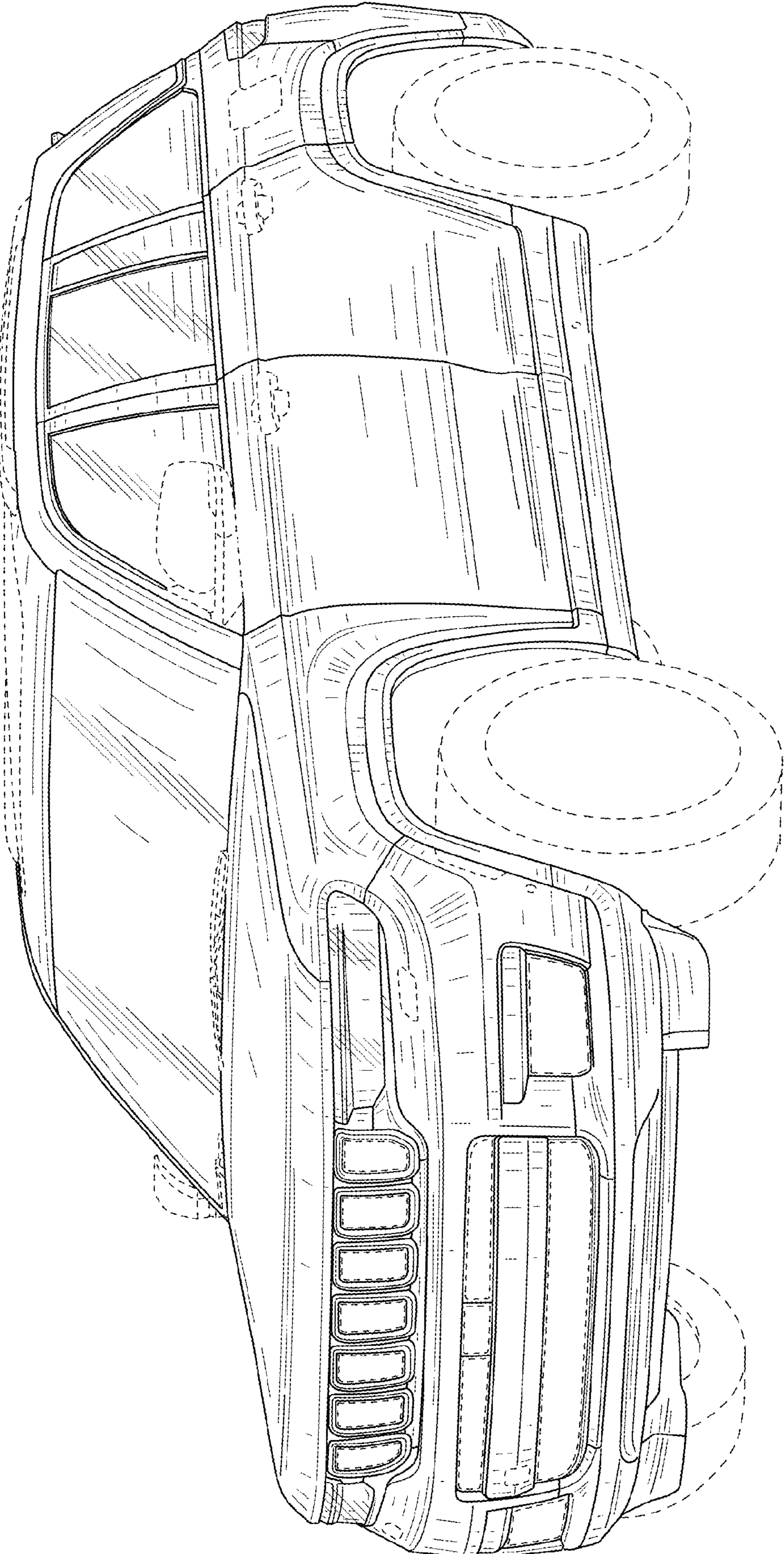


FIG. 1

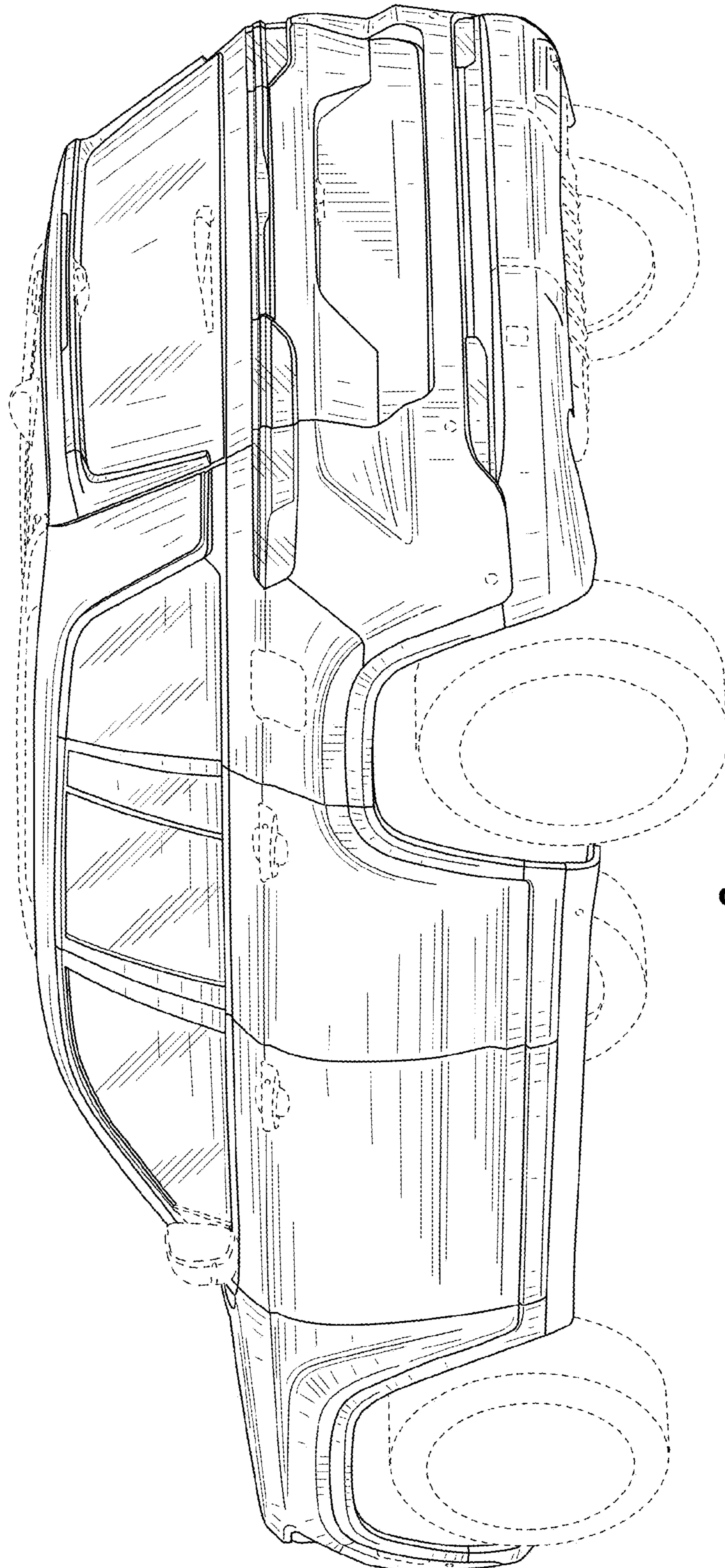
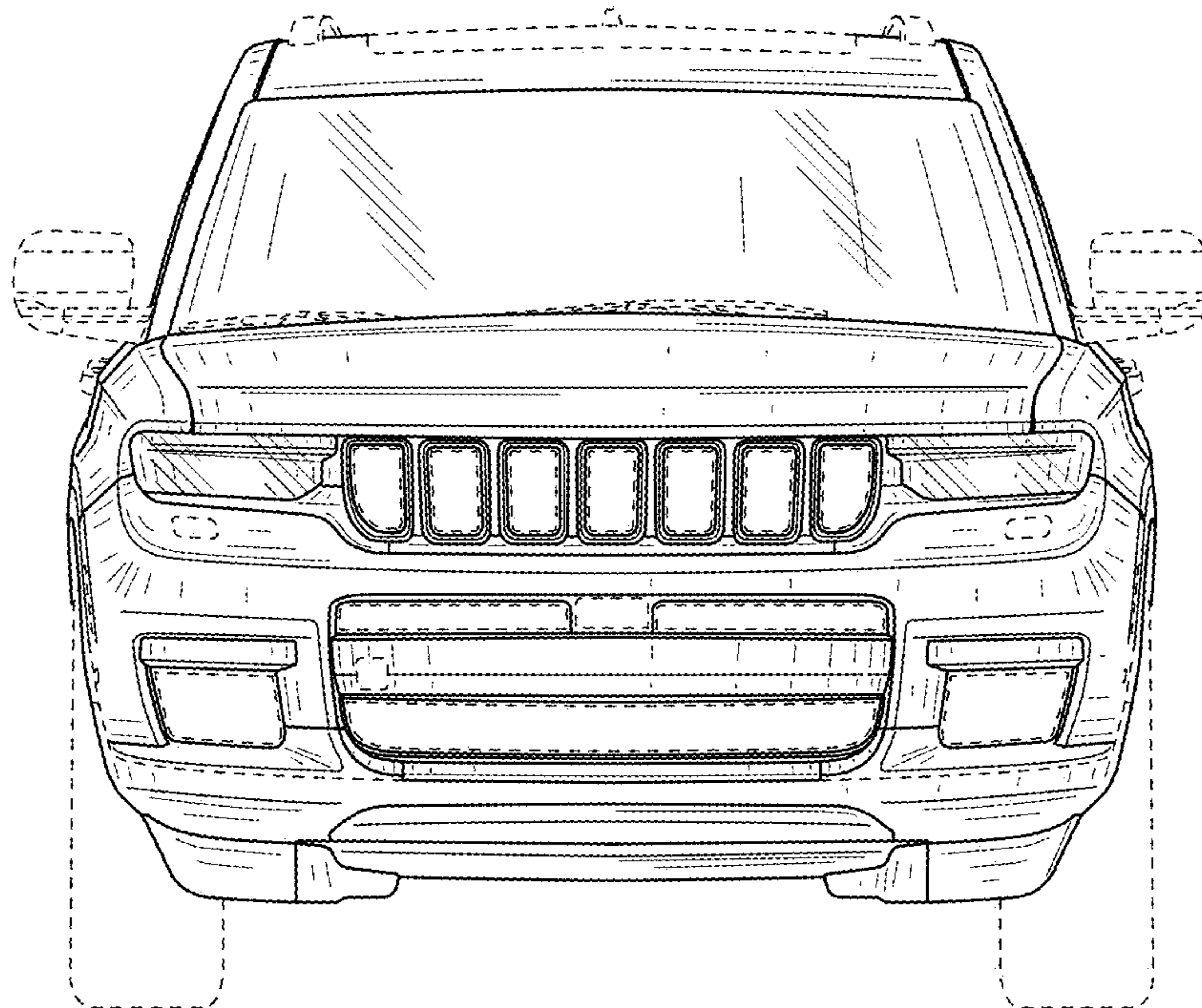
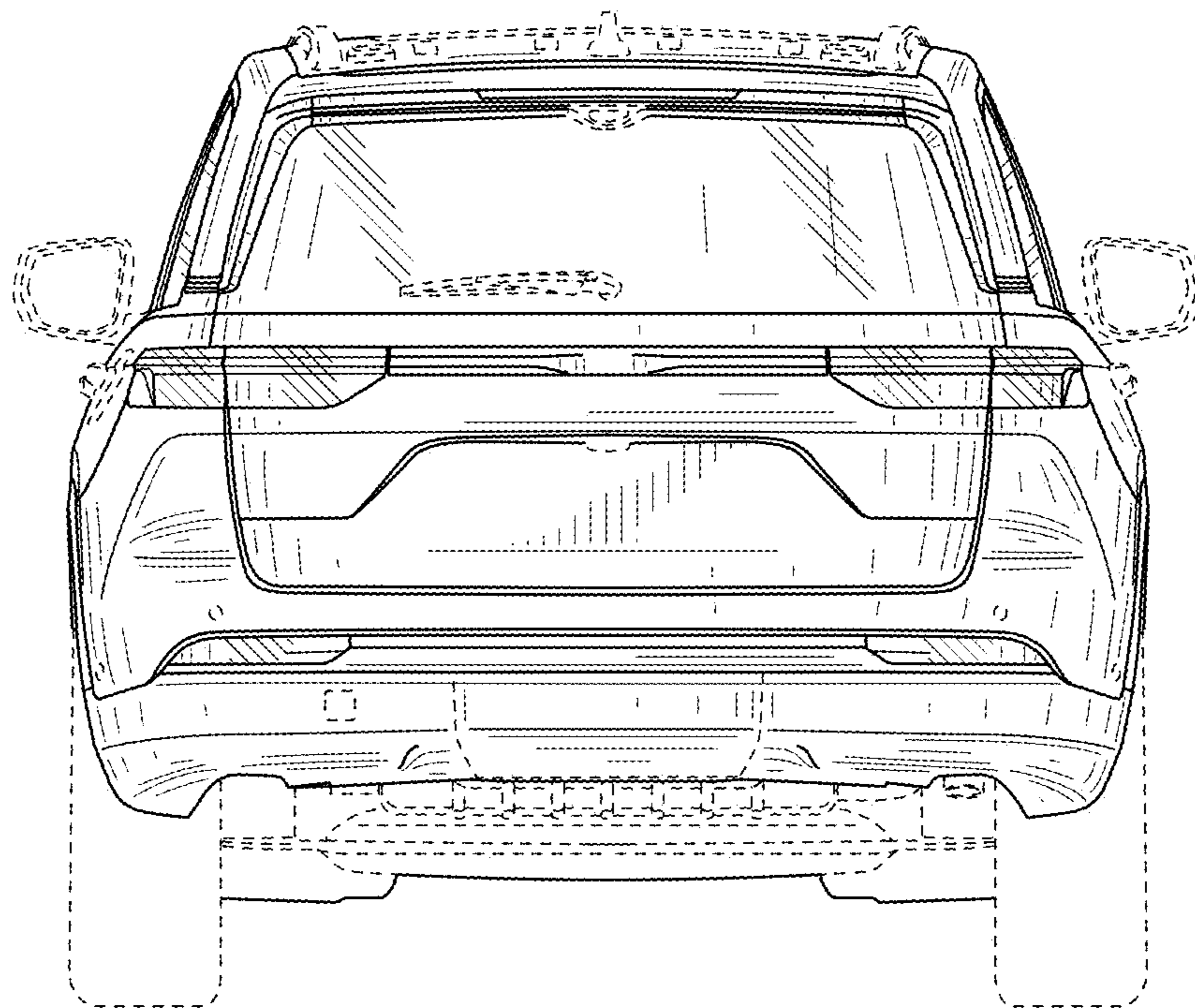


FIG. 2



**FIG. 3**



**FIG. 4**

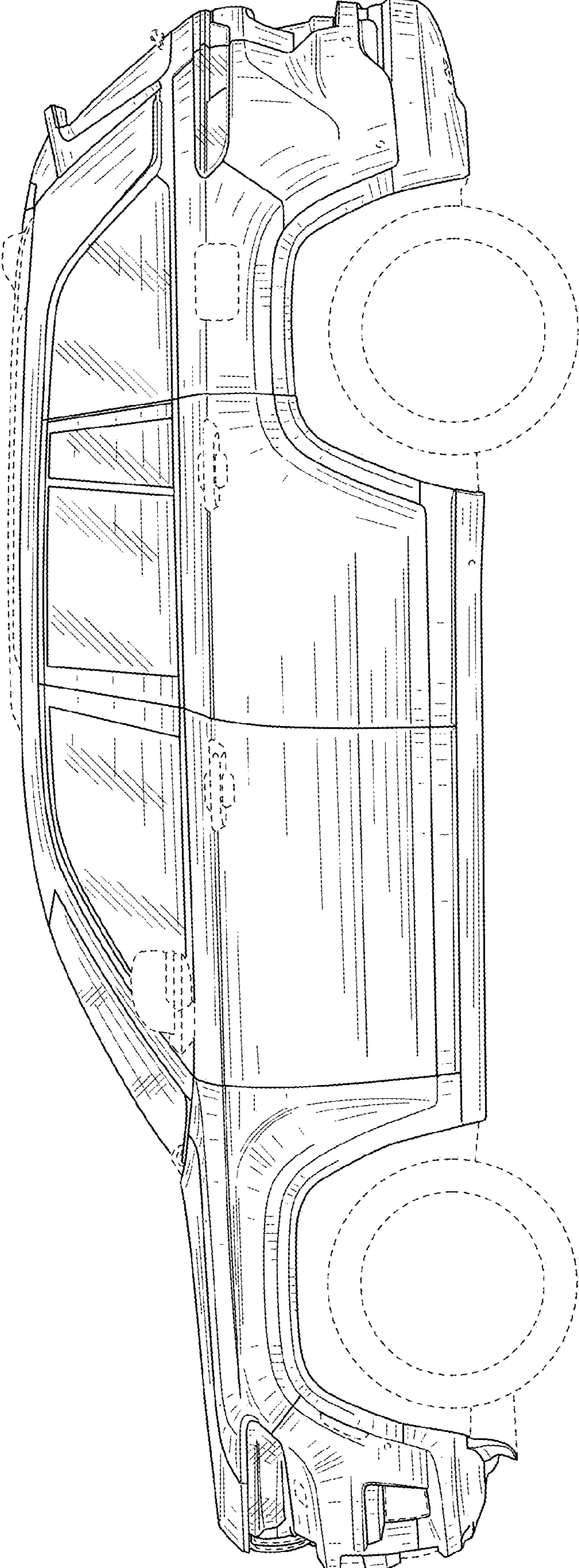


FIG. 5

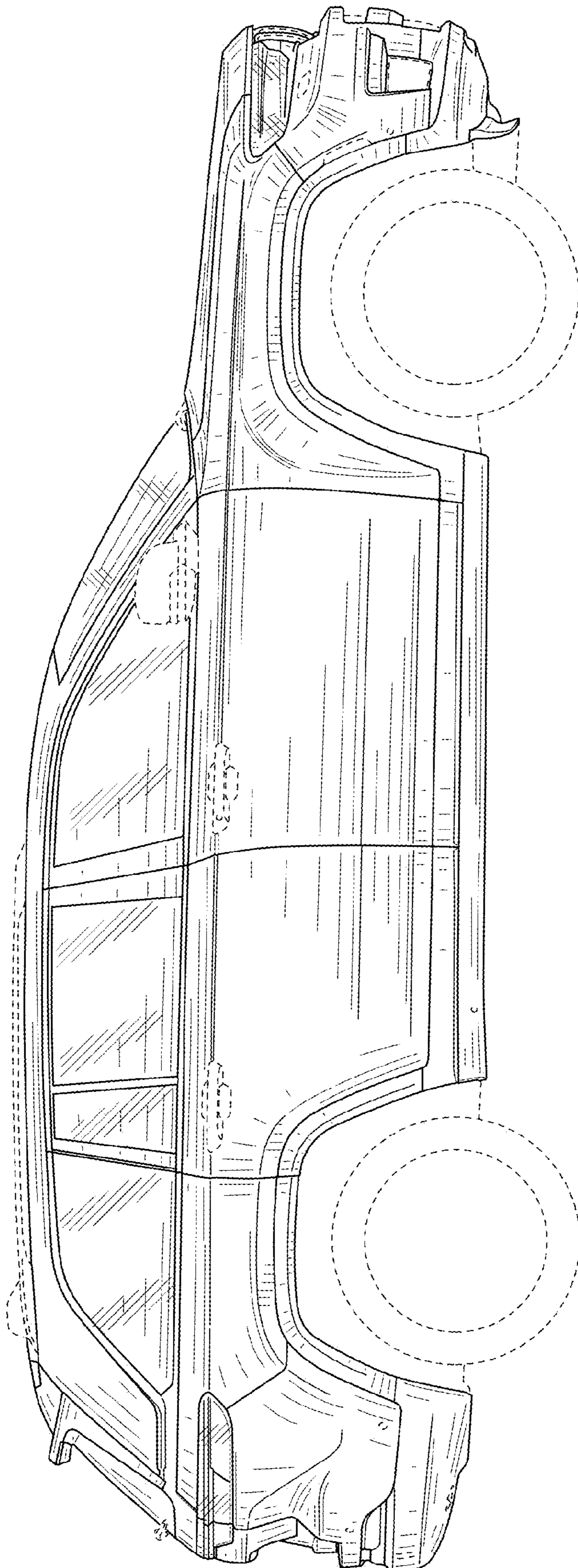


FIG. 6

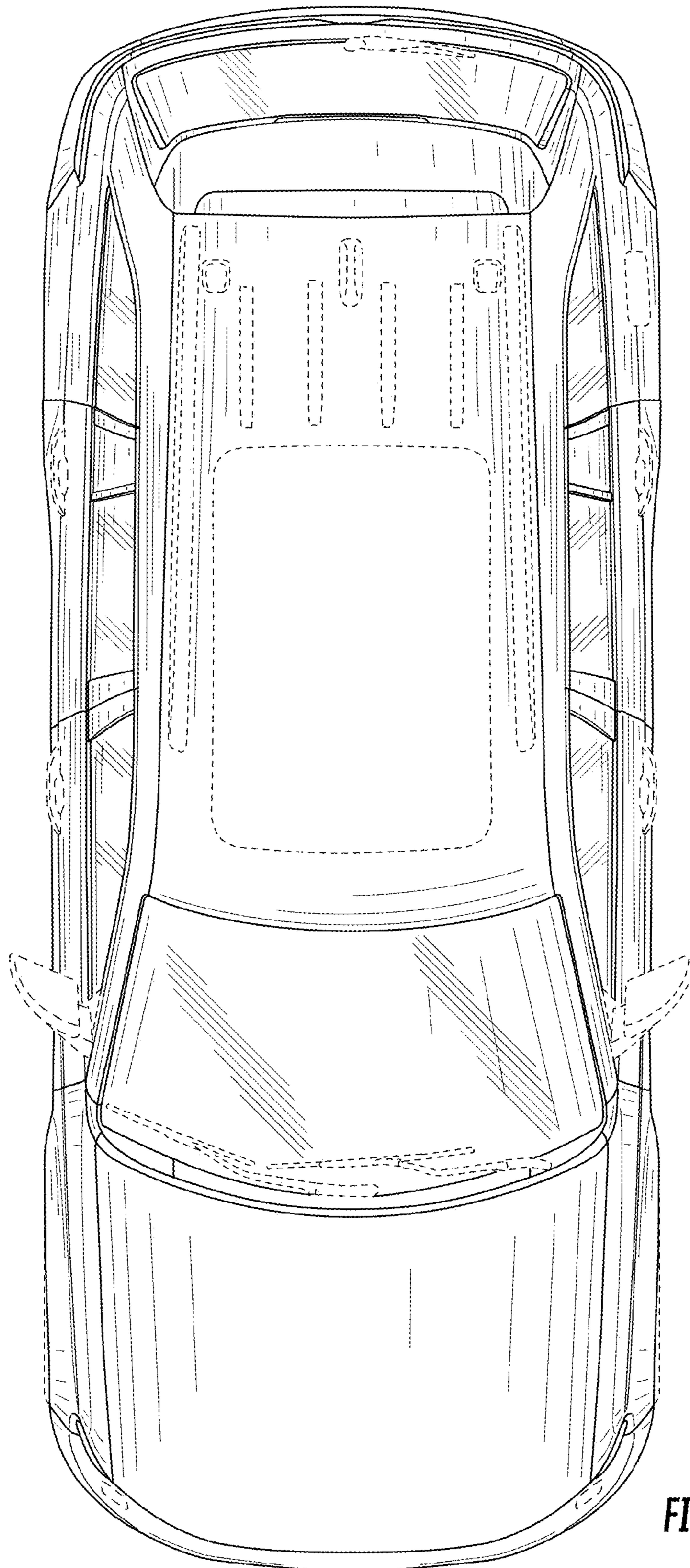


FIG. 7