



US00D953929S

(12) **United States Design Patent**
Steininger

(10) **Patent No.:** **US D953,929 S**

(45) **Date of Patent:** **** Jun. 7, 2022**

(54) **SHOE DEFLECTOR**

(71) Applicant: **Richard Steininger**, North Jackson, OH
(US)

(72) Inventor: **Richard Steininger**, North Jackson, OH
(US)

(**) Term: **15 Years**

(21) Appl. No.: **29/714,595**

(22) Filed: **Nov. 25, 2019**

(51) **LOC (13) Cl.** **12-03**

(52) **U.S. Cl.**
USPC **D12/51**

(58) **Field of Classification Search**
USPC D12/48, 49, 50, 51; D8/354, 363, 402,
D8/499
CPC B60M 1/307; B60M 1/04; B60M 1/02;
B60M 1/30
See application file for complete search history.

(56) **References Cited**

U.S. PATENT DOCUMENTS

- 528,477 A * 10/1894 Harkins B60M 1/30
191/20
- 1,441,025 A * 1/1923 Raab B60M 1/307
191/29 R
- 2,376,117 A * 5/1945 Bright E05C 17/54
D8/402
- D176,885 S * 2/1956 Ringzelli D8/402
- 3,614,340 A * 10/1971 Harmsen B60M 1/307
191/32
- 3,826,881 A * 7/1974 Spiringer B60M 1/307
191/40

- 5,249,767 A * 10/1993 Mellen A47B 91/16
D8/402
- D410,380 S * 6/1999 Towns A01G 23/099
D8/402
- D421,374 S * 3/2000 Montgomery A01G 23/099
D8/47
- 7,014,229 B1 * 3/2006 Stelmach E05C 17/54
292/342
- D590,676 S * 4/2009 Pickard B66F 9/12
D8/47
- D654,093 S * 2/2012 Peline D15/5
- D735,929 S * 8/2015 Huang D26/120
- 2002/0148172 A1 * 10/2002 Deschenes B27M 3/02
52/98
- 2002/0157328 A1 * 10/2002 Holder E06B 1/6069
52/126.1
- 2017/0320404 A1 11/2017 Steininger

* cited by examiner

Primary Examiner — Ania Aman

(74) *Attorney, Agent, or Firm* — Fay Sharpe LLP

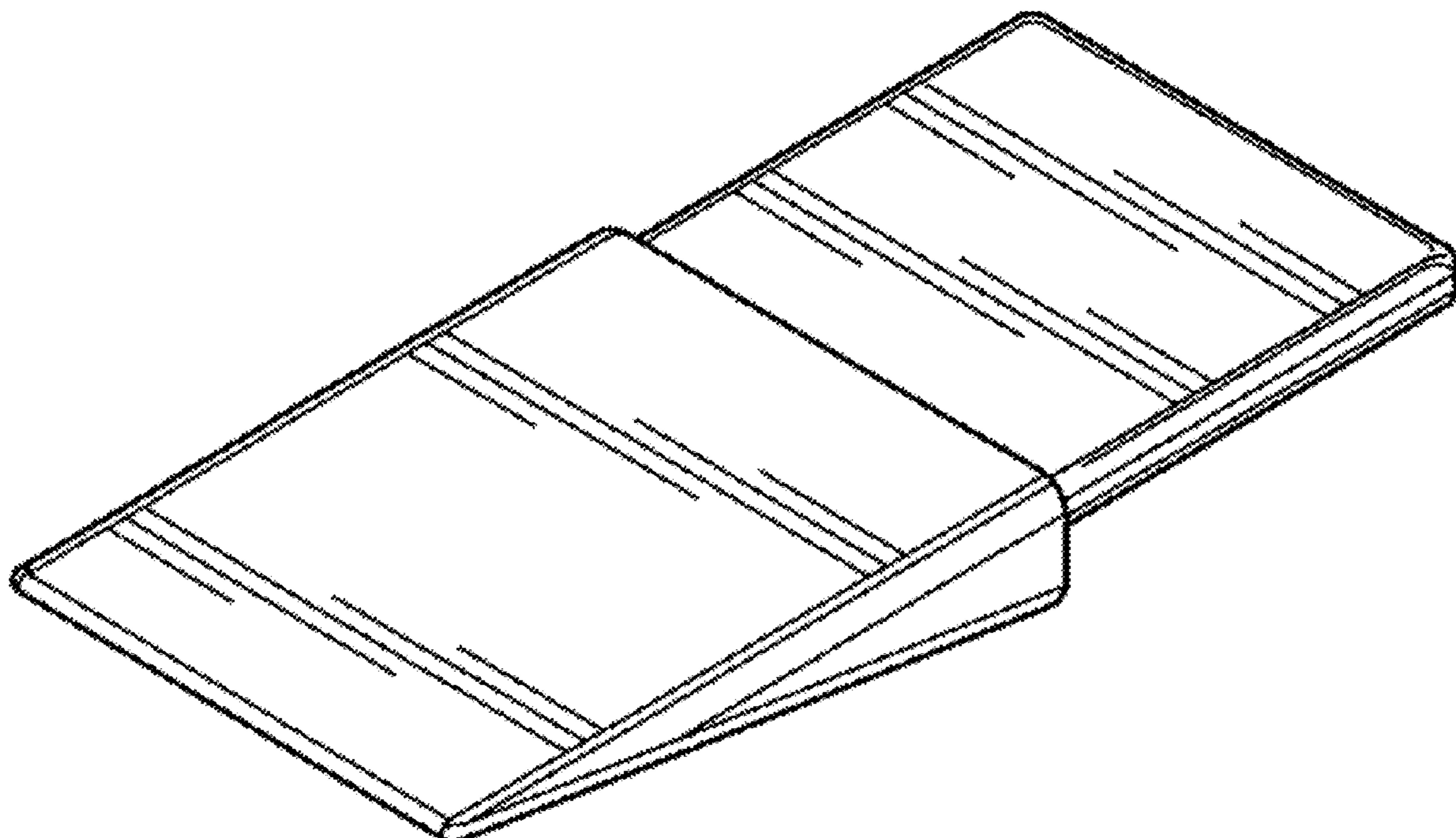
(57) **CLAIM**

The ornamental design for a shoe deflector, as shown and described.

DESCRIPTION

FIG. 1 is a perspective view of a shoe deflector showing my new design;
FIG. 2 is a top plan view thereof;
FIG. 3 is a bottom plan view thereof;
FIG. 4 is a rear end elevational view thereof;
FIG. 5 is a front end elevational view thereof; and,
FIG. 6 is a right side elevational view thereof, with the left side elevational view being a mirror image thereof.

1 Claim, 1 Drawing Sheet



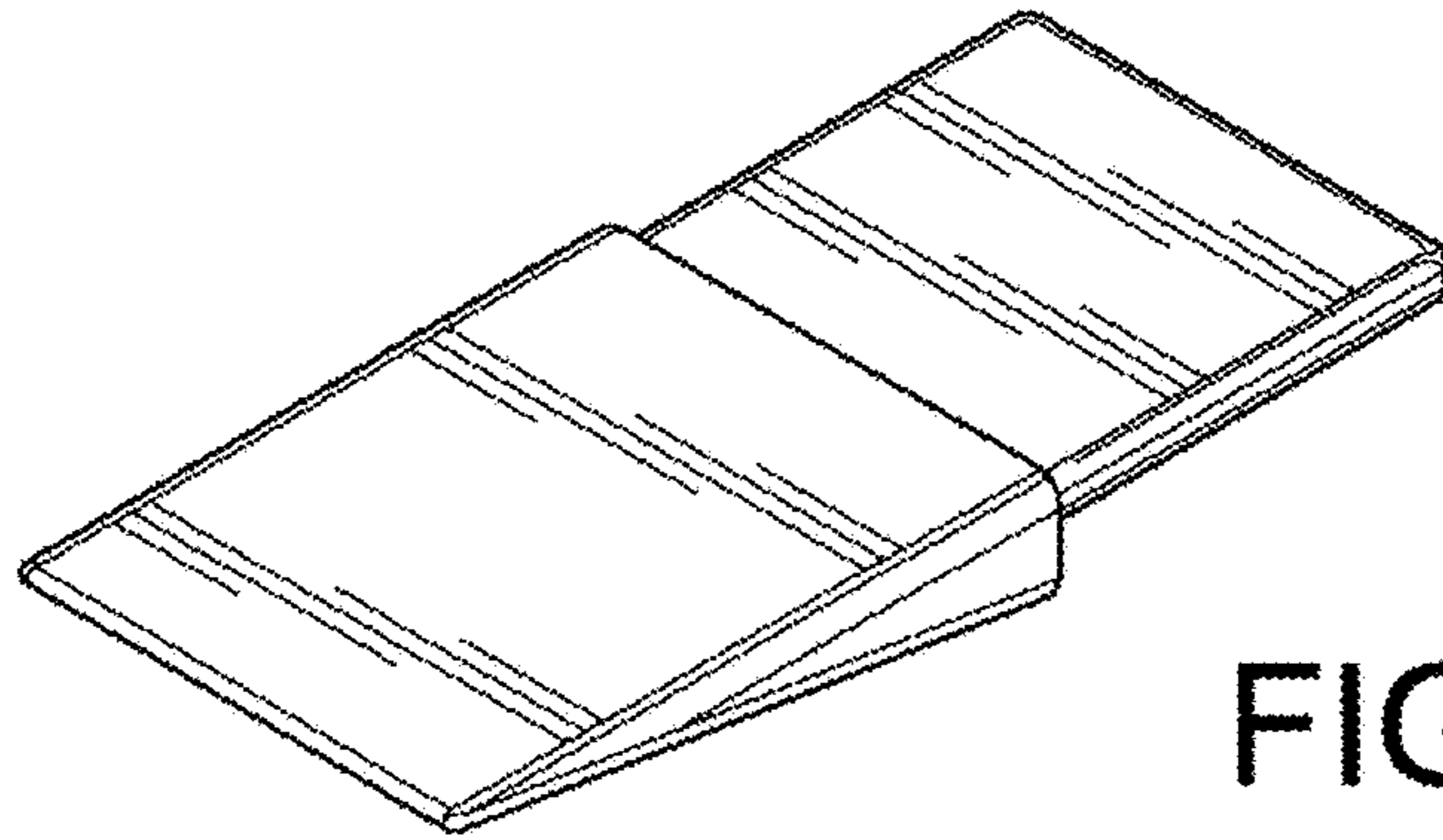


FIG. 1

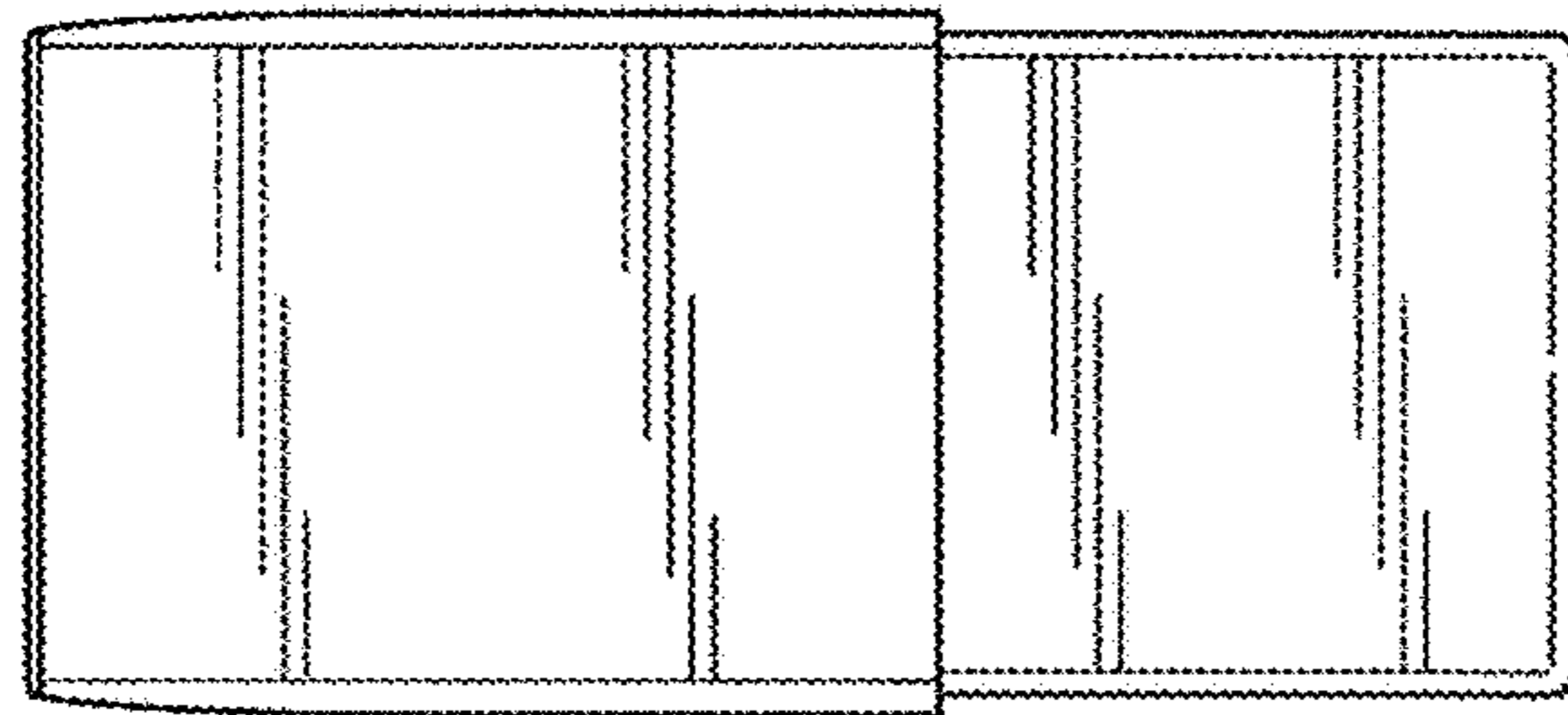


FIG. 2

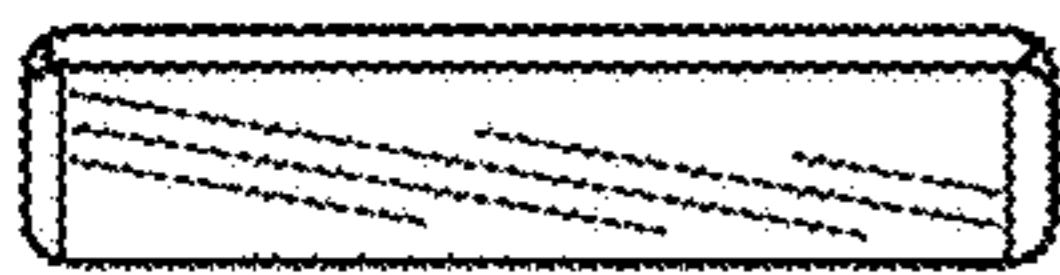


FIG. 5

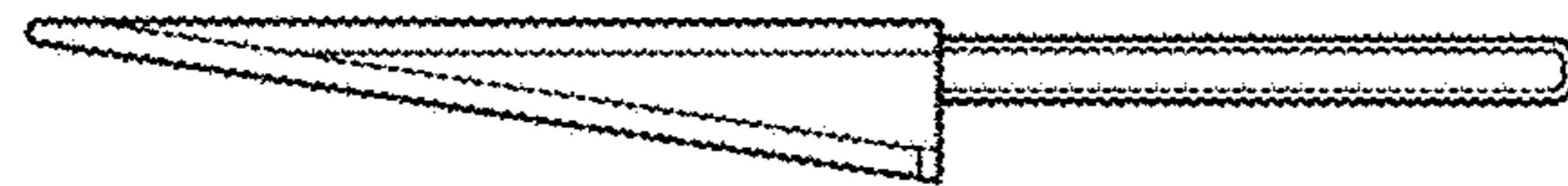


FIG. 6

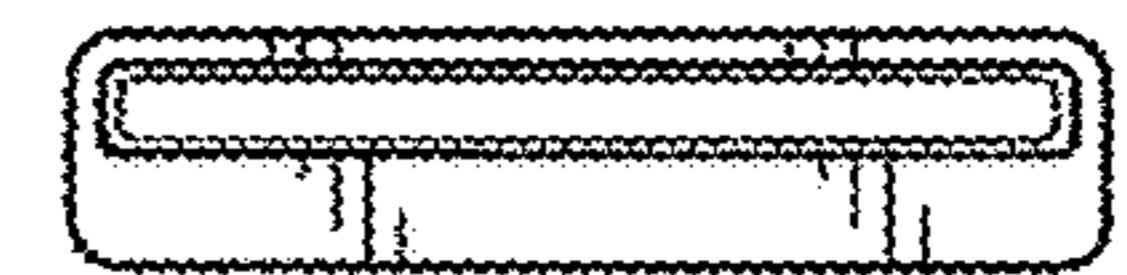


FIG. 4

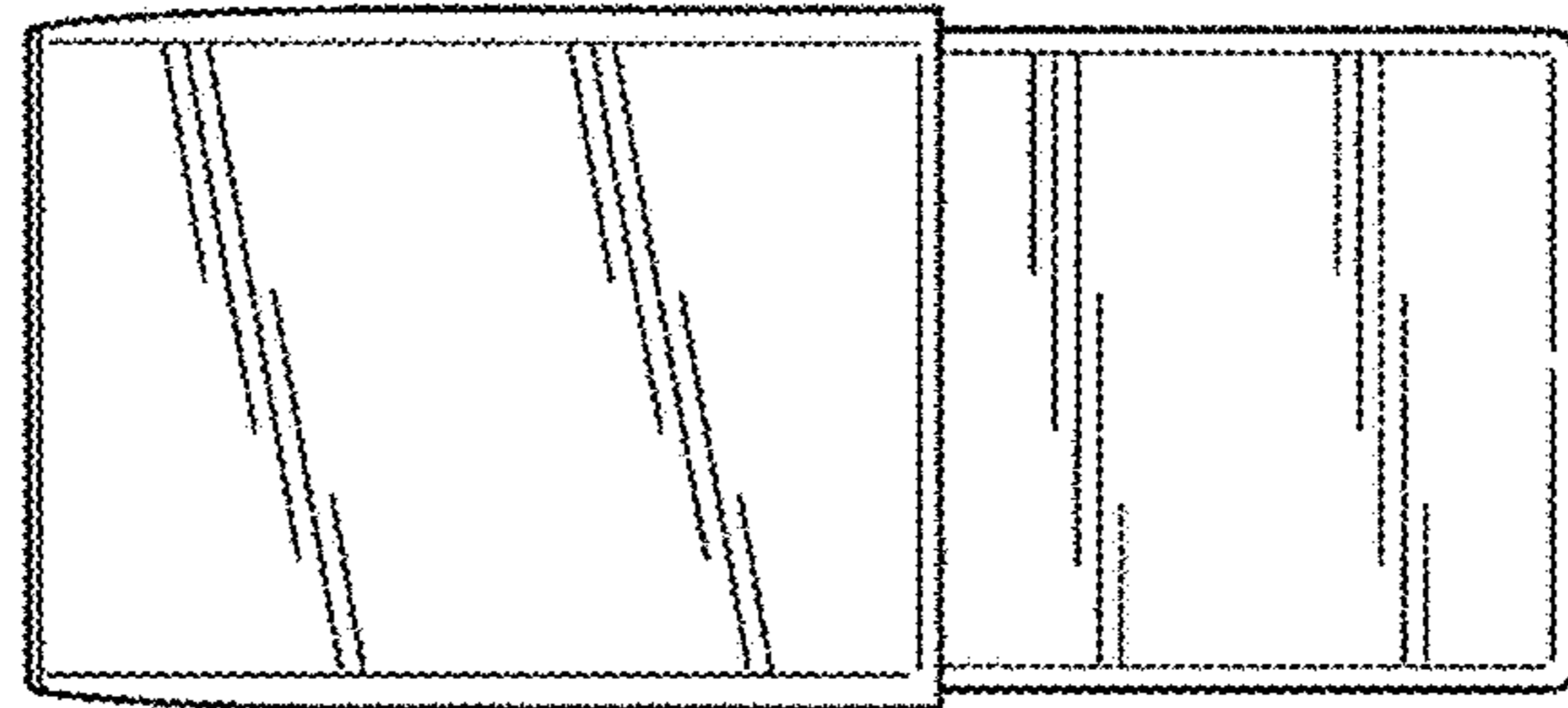


FIG. 3